



US00D335225S

# United States Patent [19]

[11] Patent Number: **Des. 335,225**

Ugalde

[45] Date of Patent: **\*\* May 4, 1993**

[54] **CONVERTIBLE COMPUTER WORKSTATION**

[75] Inventor: **Carlos V. Ugalde, San Dimas, Calif.**

[73] Assignee: **Continental Engineering Group, Inc., Irwindale, Calif.**

[\*\*] Term: **14 Years**

[21] Appl. No.: **634,499**

[22] Filed: **Dec. 27, 1990**

[52] U.S. Cl. .... **D6/425**

[58] Field of Search ..... **D6/420-428;**  
312/194-196, 208; 108/59

[56] **References Cited**

**U.S. PATENT DOCUMENTS**

4,562,482	12/1985	Brown	.....	312/208 X
4,669,789	6/1987	Pemberton	.	
4,755,009	7/1988	Price et al.	.	
4,828,342	5/1989	Stefan	.....	312/208 X
5,094,514	3/1992	Grosch	.	

**OTHER PUBLICATIONS**

*GF Furniture Systems* ©1984 p. 30; table desks top row, second from right.

*Global Cat U88* ©1987, p. 27; "Classic PC Workstation" on top of page.

*Global catalog*, p. 120, High Tech See Trhu II (upper right hand corner of page).

*Primary Examiner*—Carmen H. Vales-Lado  
*Attorney, Agent, or Firm*—Christie, Parker & Hale

[57] **CLAIM**

The ornamental design for a convertible computer workstation, as shown and described.

**DESCRIPTION**

FIG. 1 is a front perspective view of a convertible computer workstation, showing my new design with a computer housing cover in open condition a computer and related components being shown in broken lines for illustrative purposes only;

FIG. 2 is a front perspective view thereof with the computer housing cover closed;

FIG. 3 is a top plan view thereof;

FIG. 4 is a front elevational view thereof with a computer being shown in broken lines for illustrative purposes only;

FIG. 5 is a rear elevational view thereof;

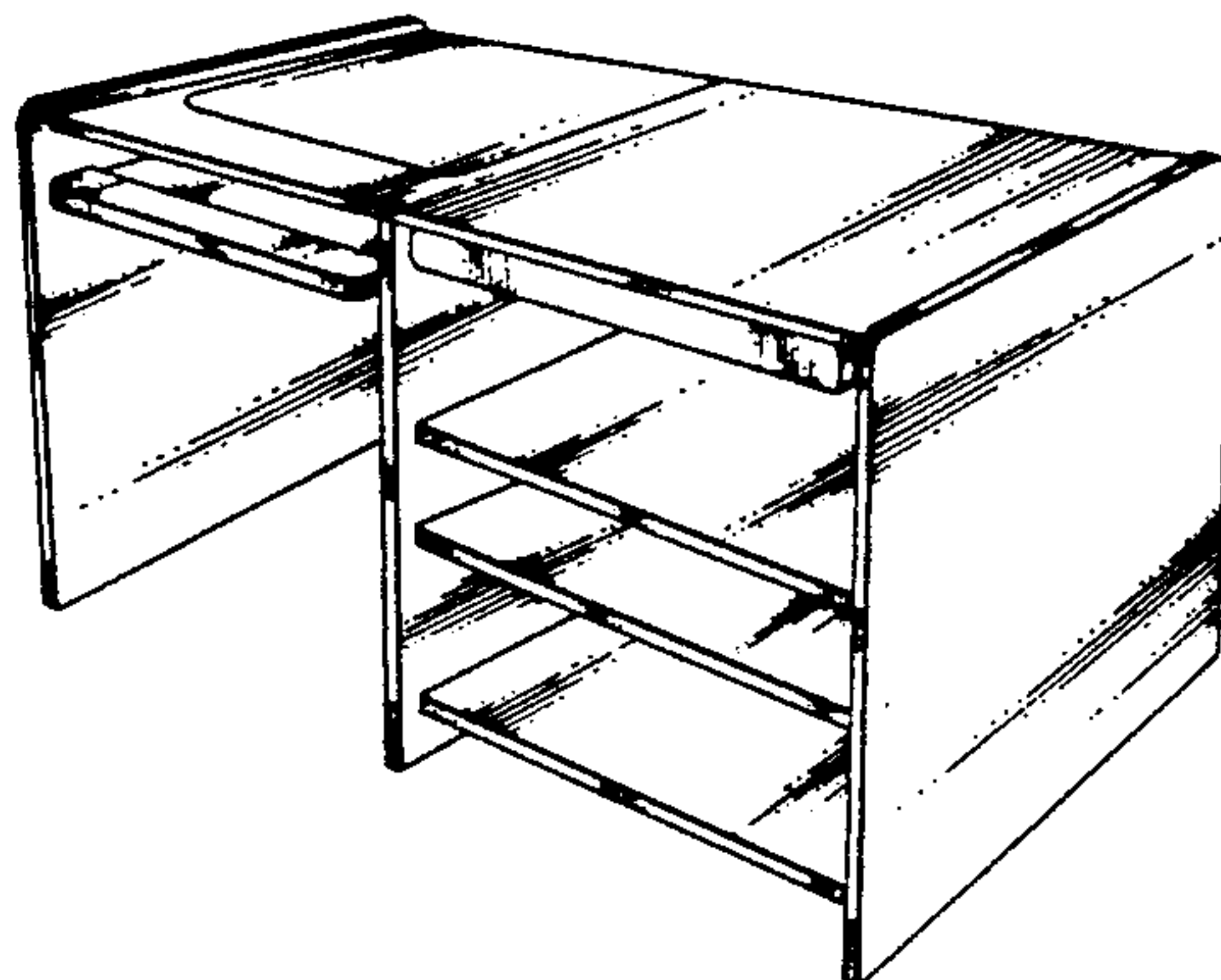
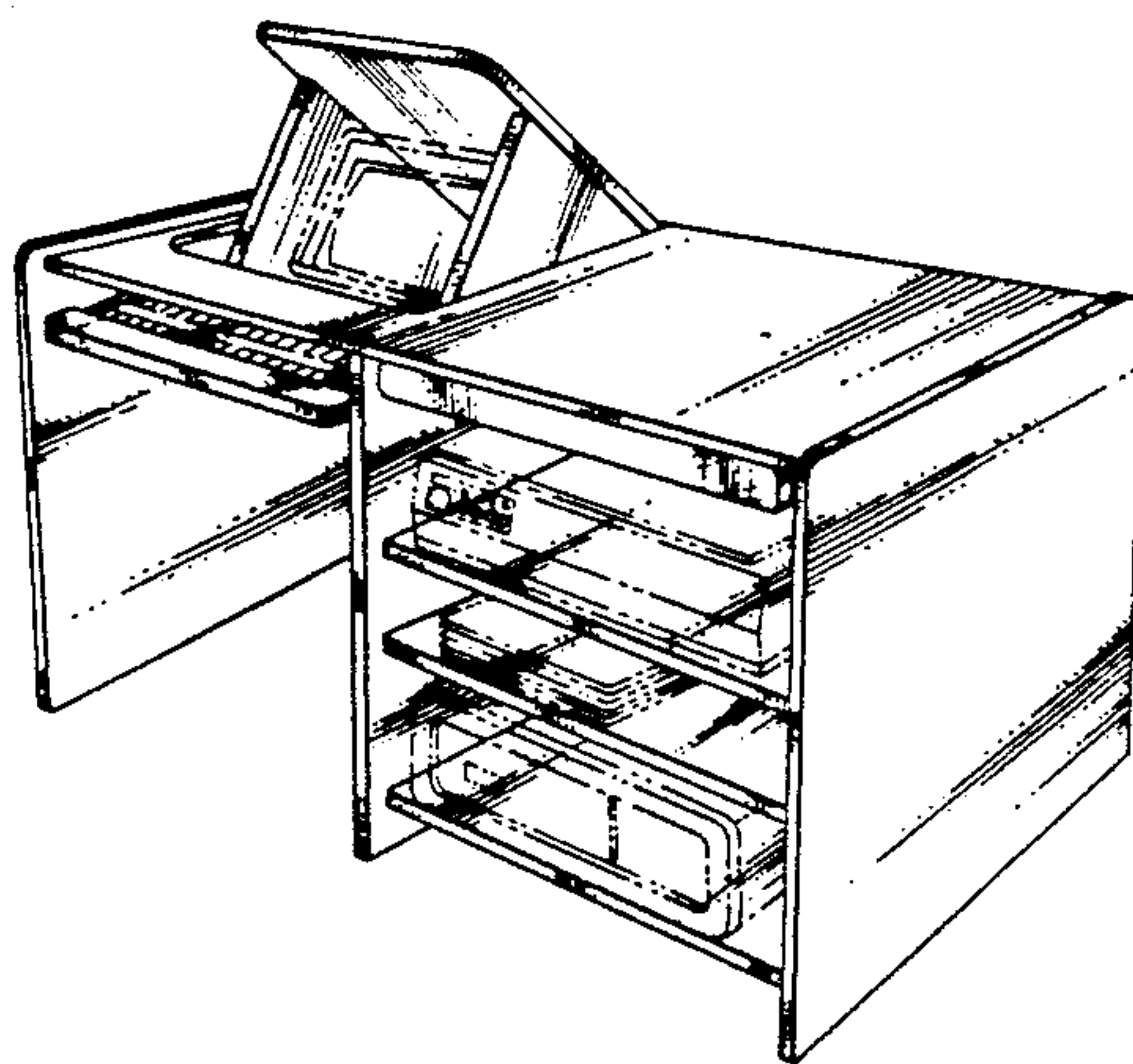
FIG. 6 is a bottom plan view thereof;

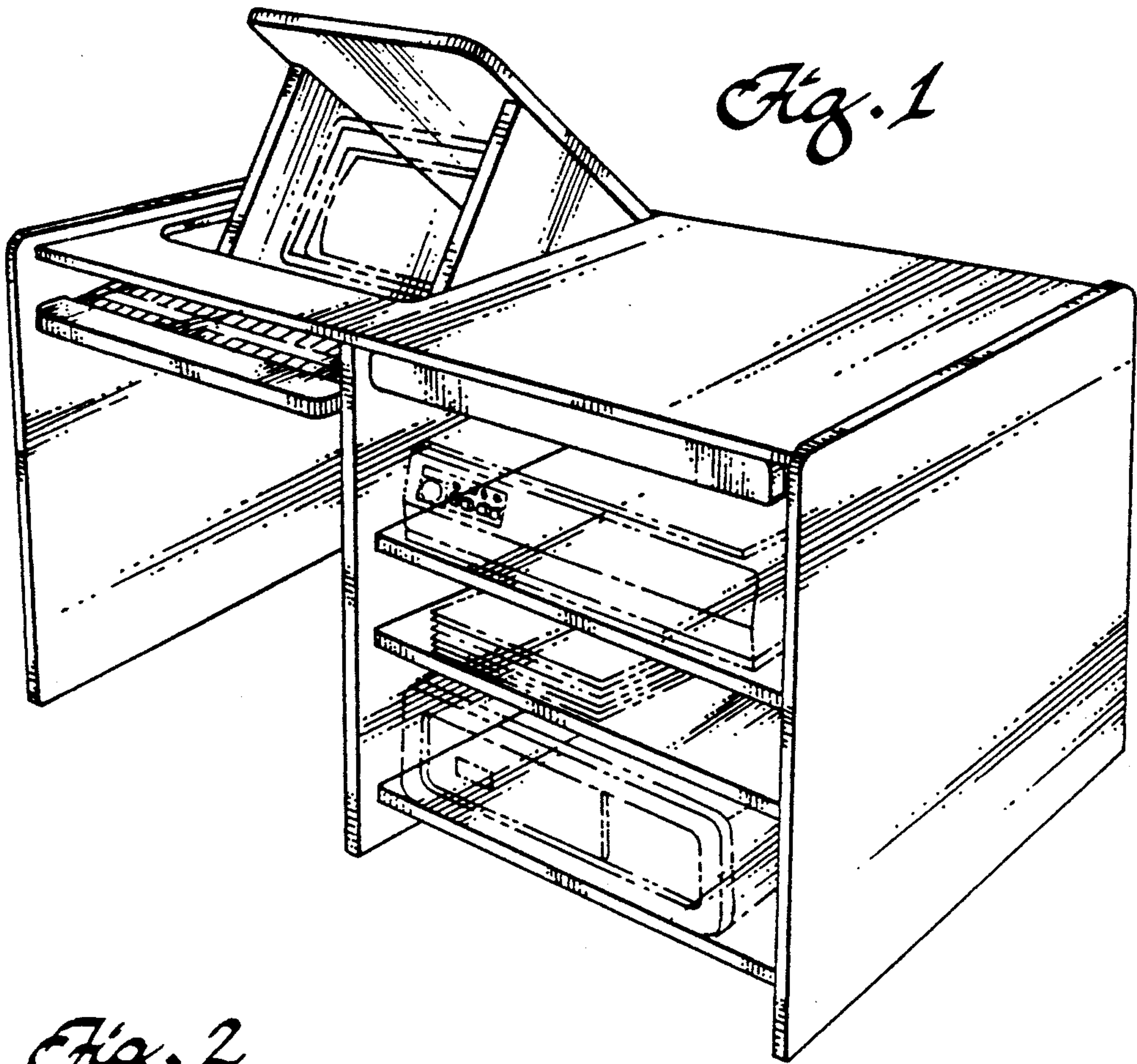
FIG. 7 is a right-side elevational view, the left side being a mirror image thereof;

FIG. 8 is a rear perspective view thereof;

FIG. 9 is a vertical sectional view taken along lines 9—9 of FIG. 4 of the right half thereof; and,

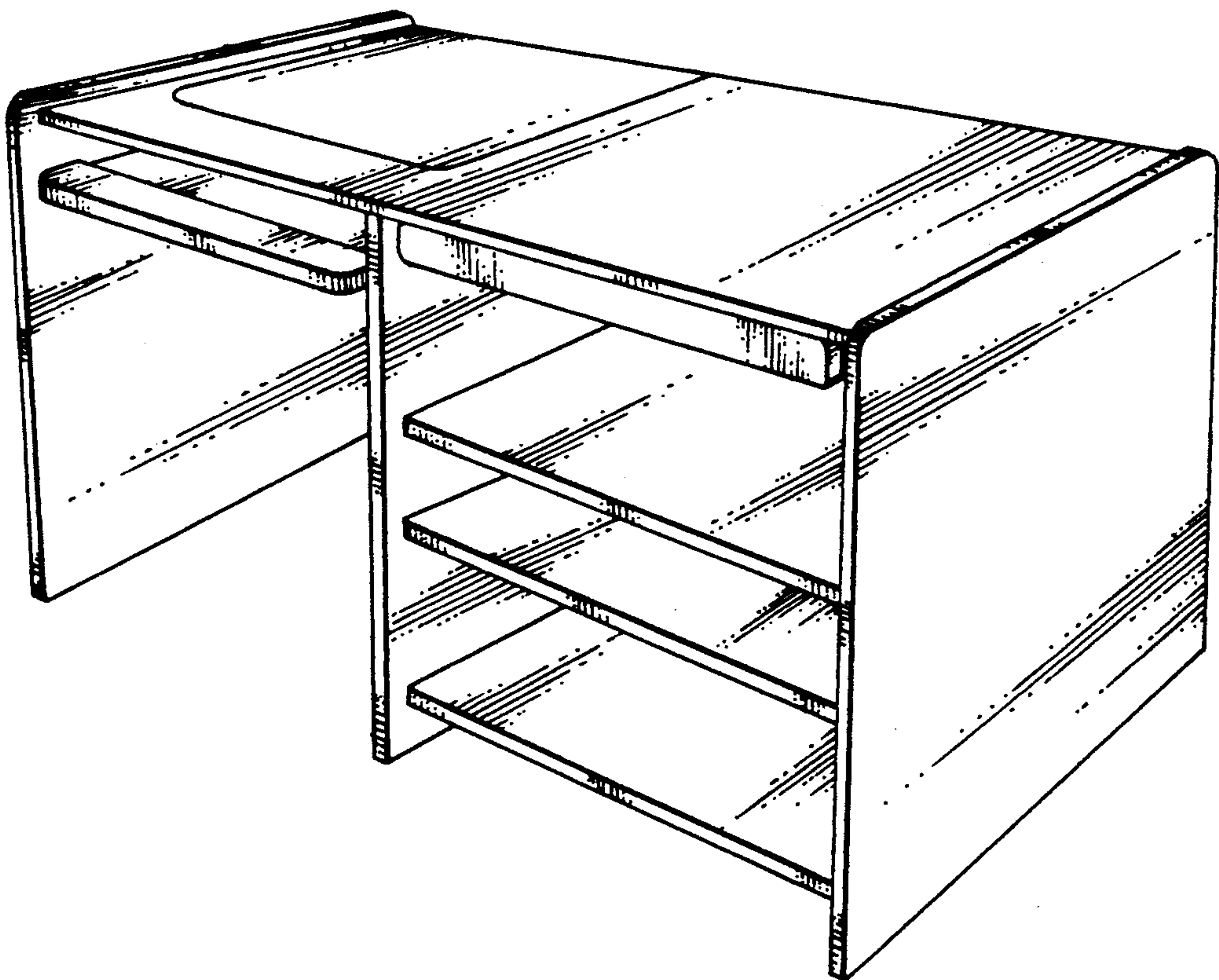
FIG. 10 is a vertical sectional view taken along lines 10—10 of FIG. 4 of the left half thereof.





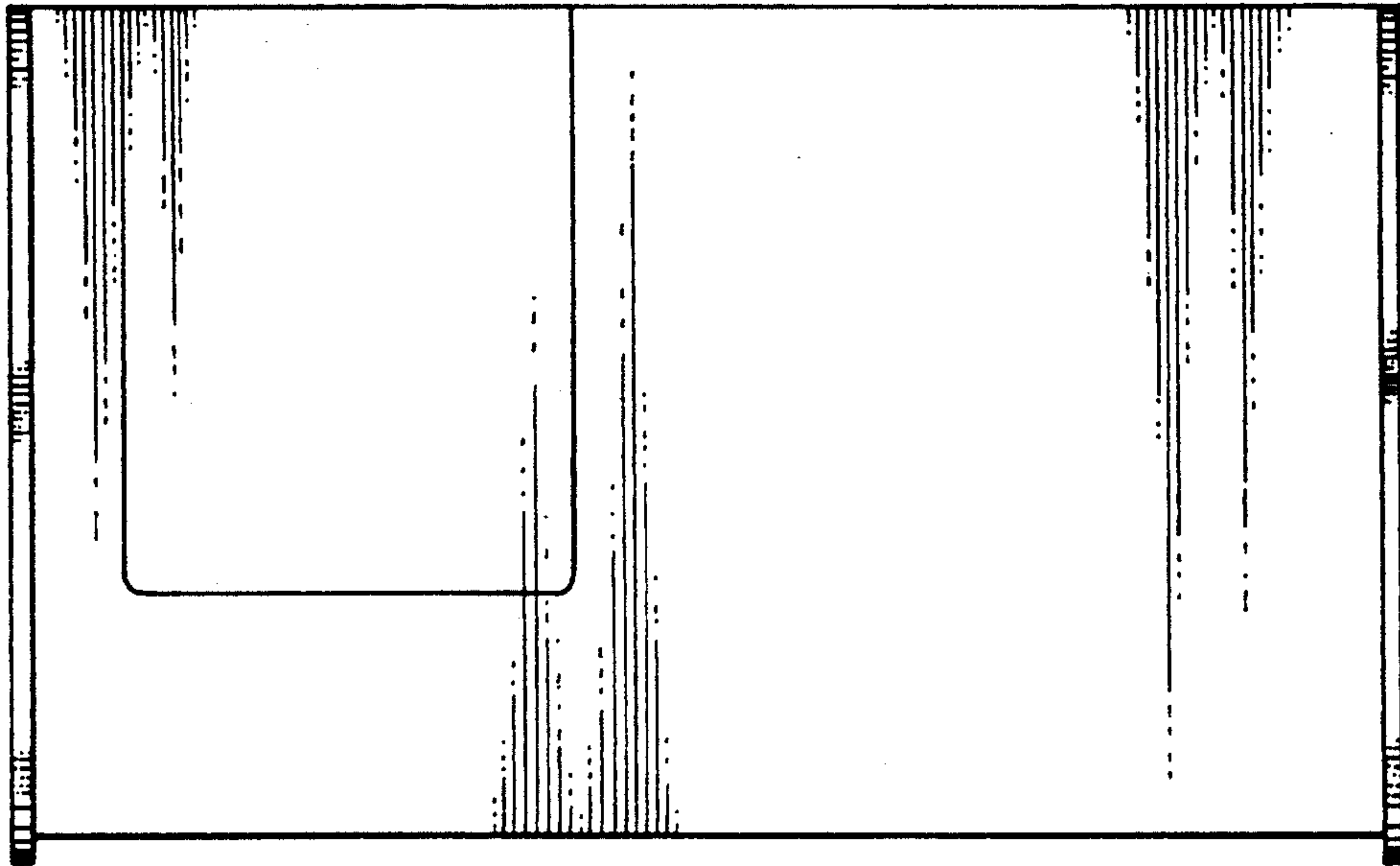
*Fig. 1*

*Fig. 2*

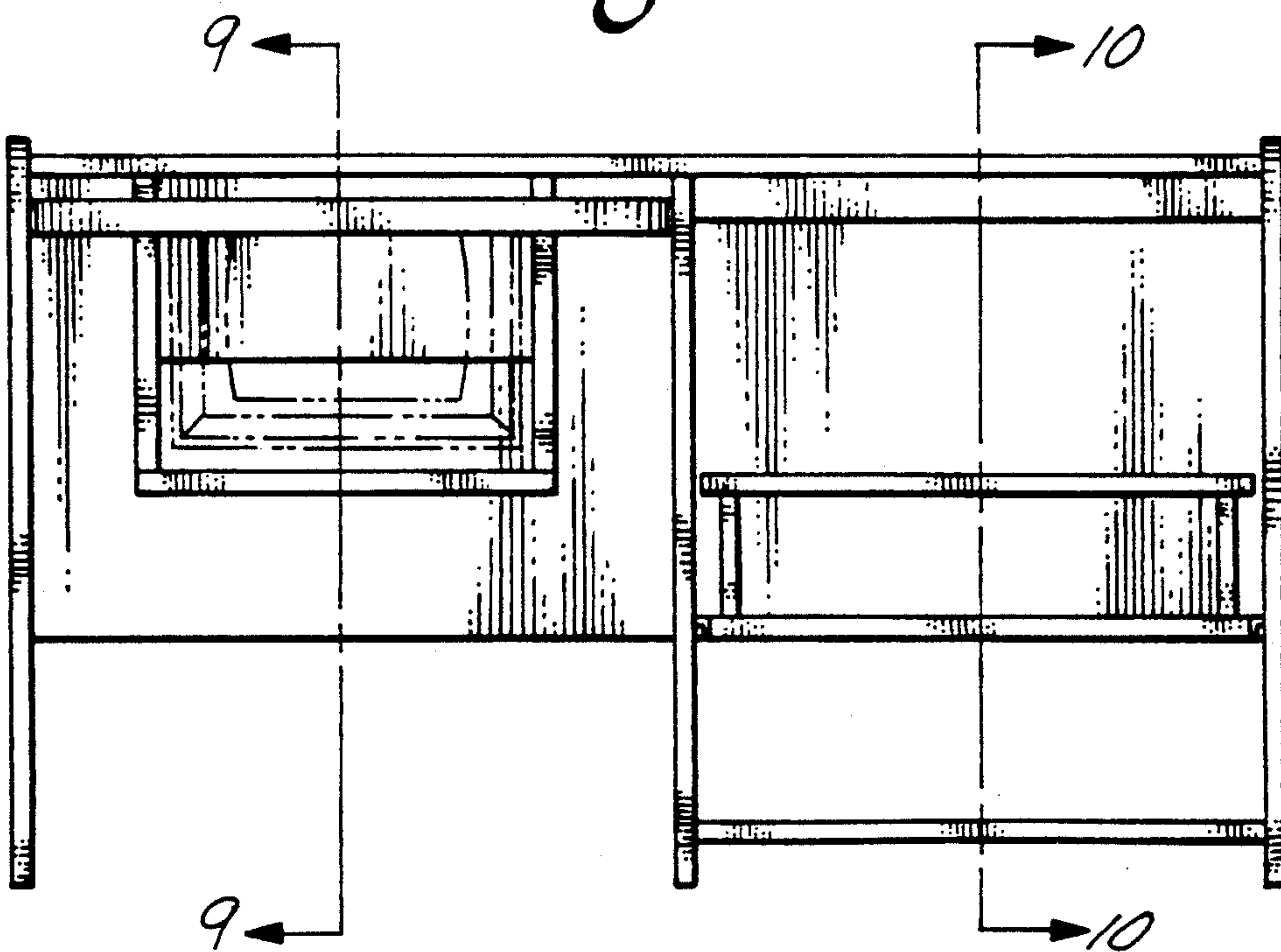




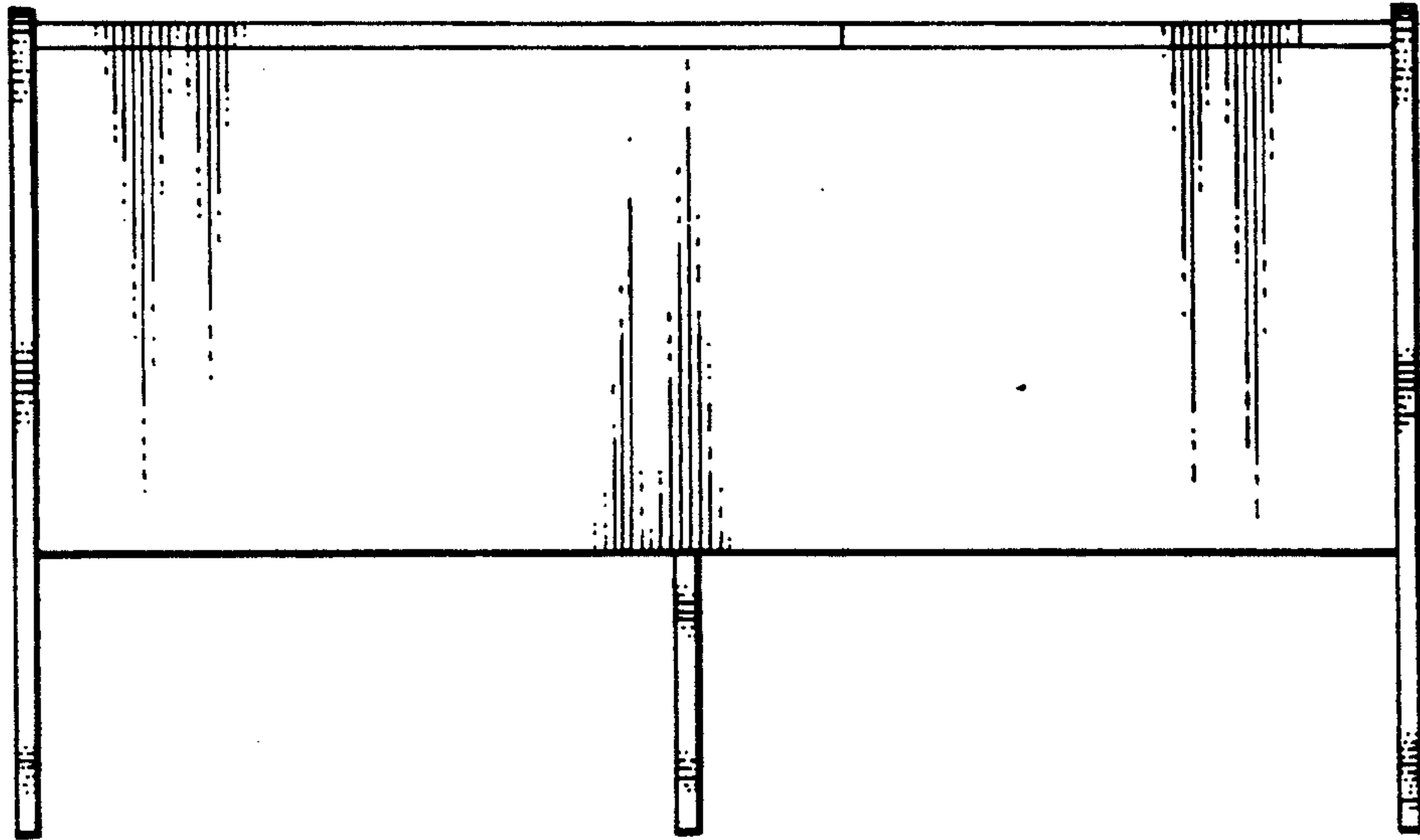
*Fig. 3*



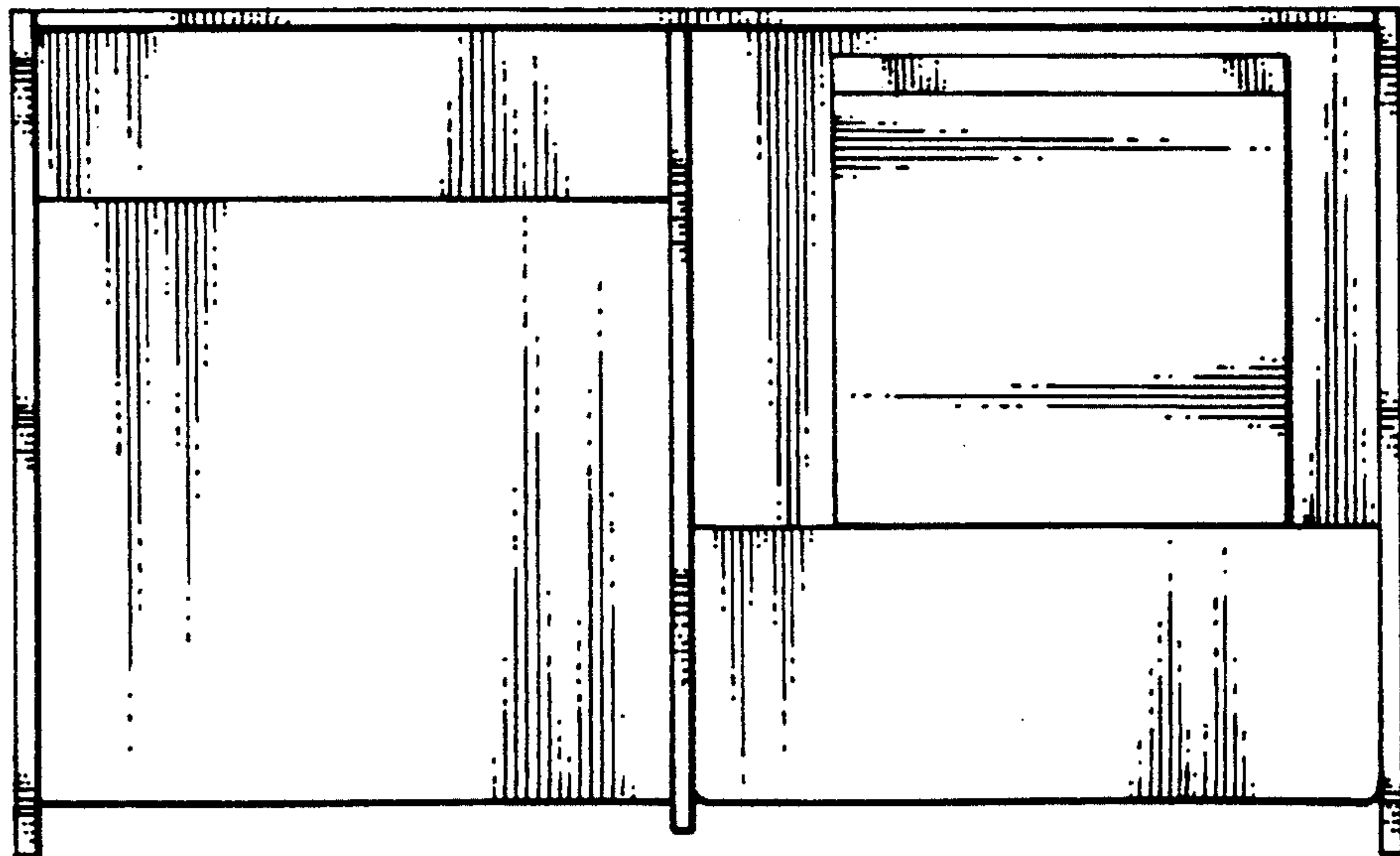
*Fig. 4*



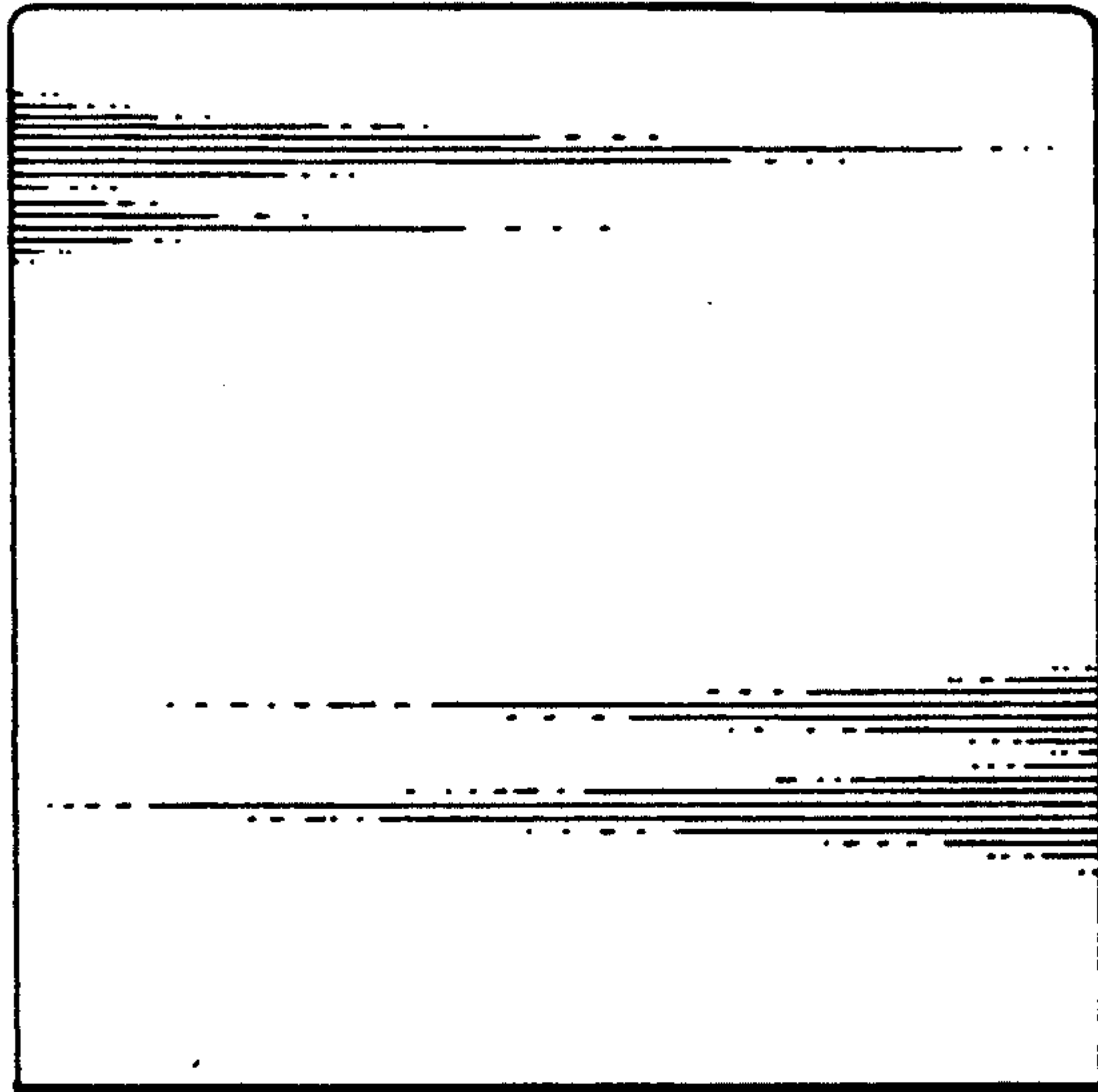
*Fig. 5*



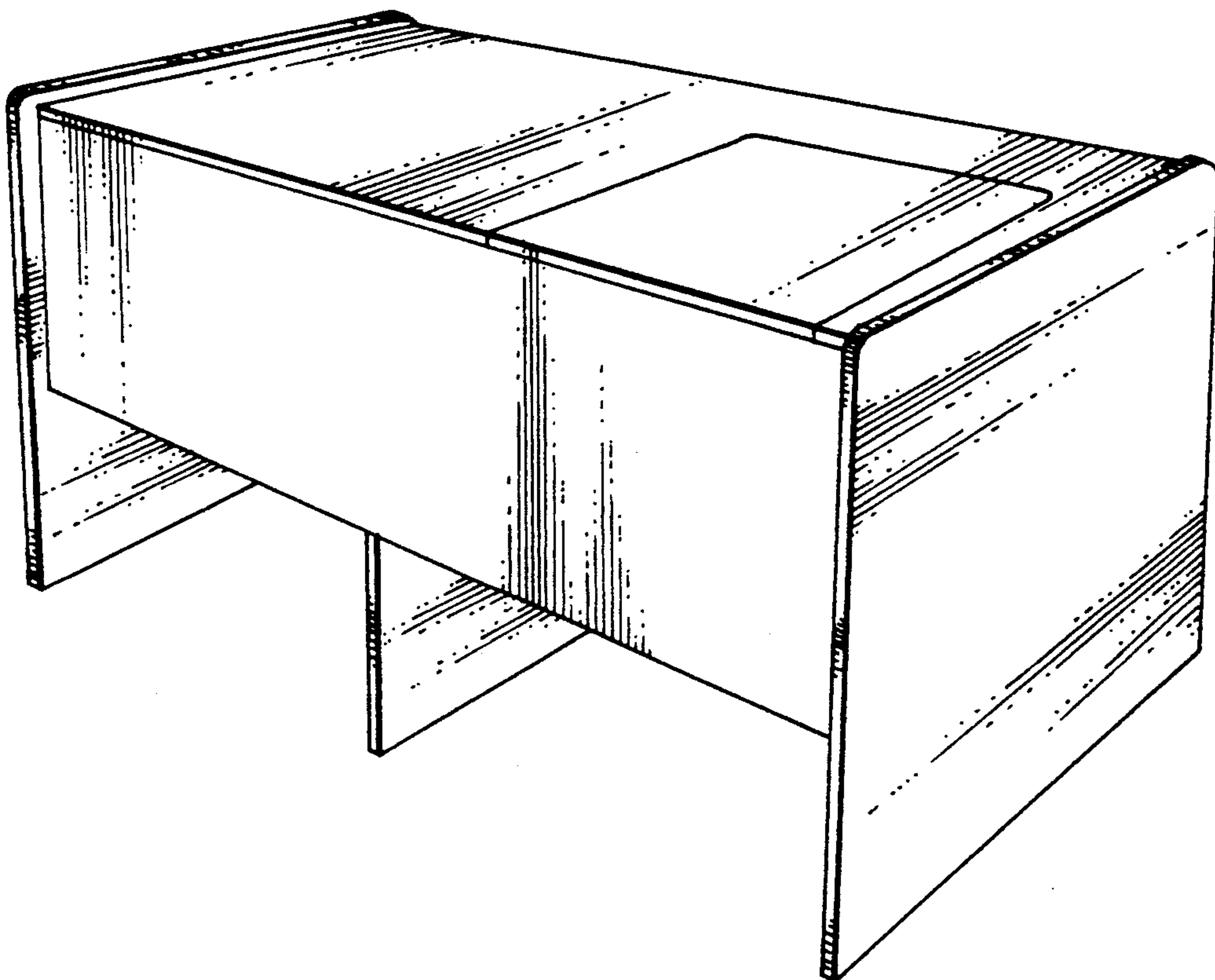
*Fig. 6*



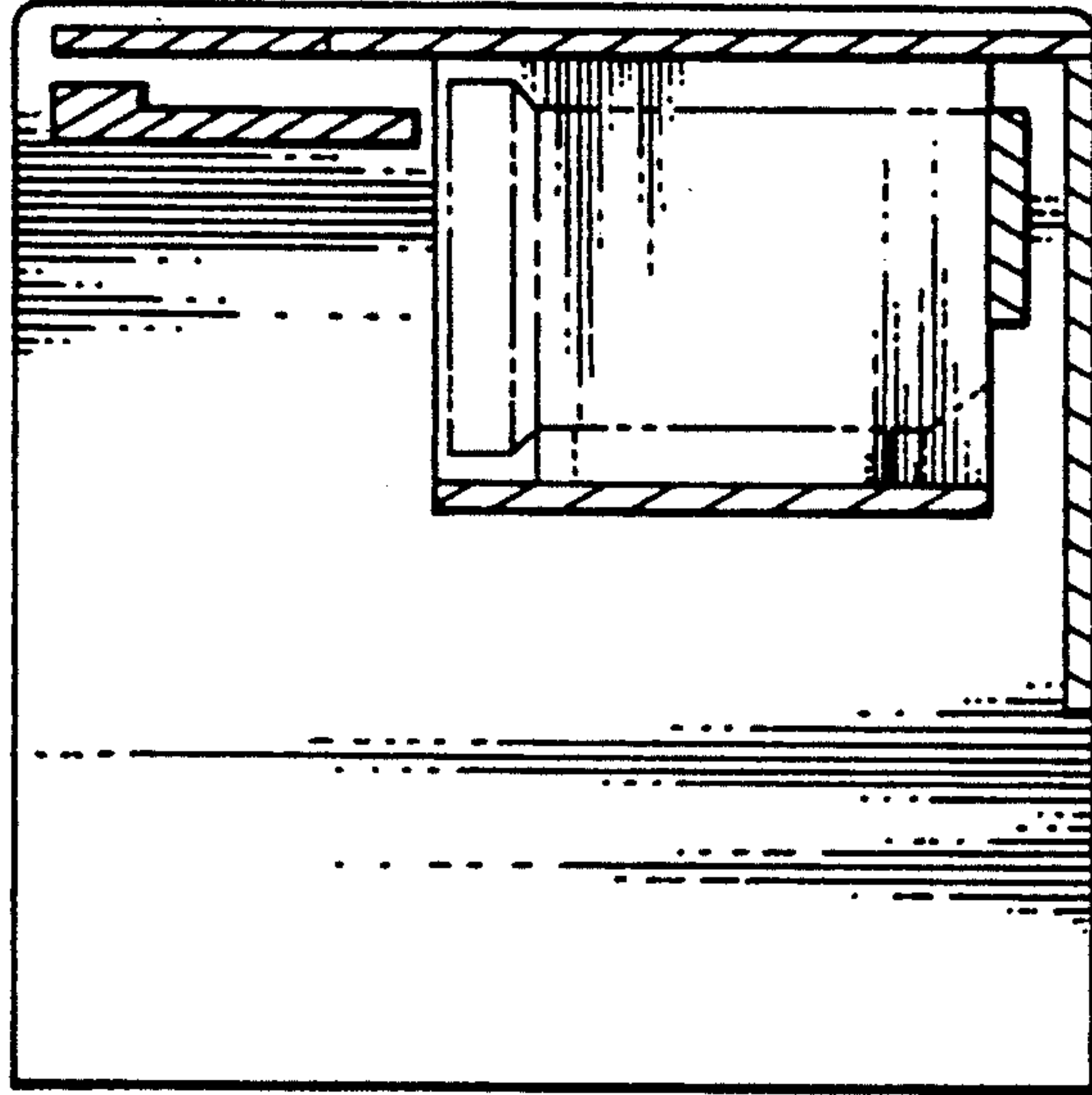
*Fig. 7*



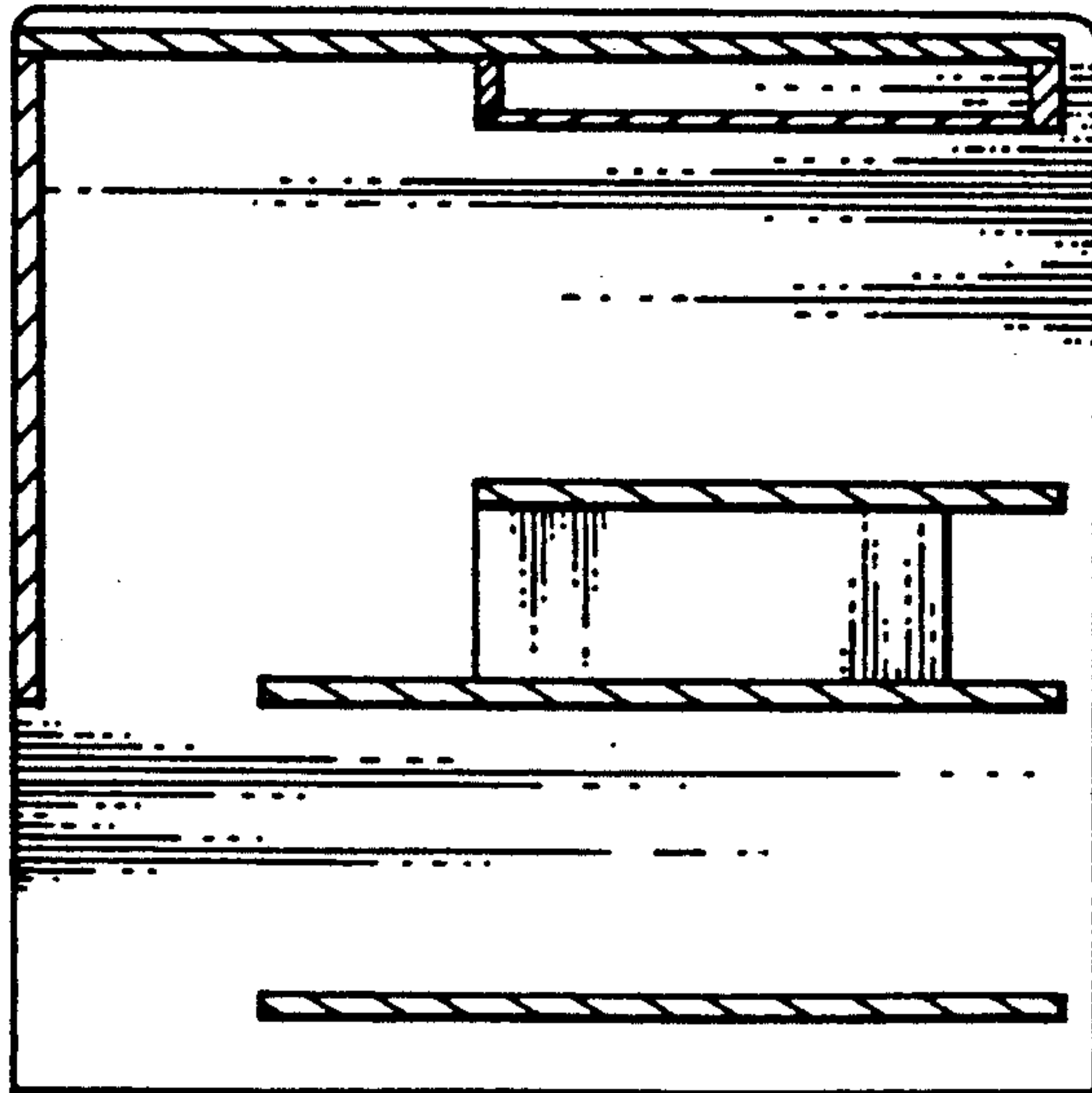
*Fig. 8*



*Fig. 9*



*Fig. 10*



UNITED STATES PATENT AND TRADEMARK OFFICE  
**CERTIFICATE OF CORRECTION**

PATENT NO. : Des. 335,225  
DATED : May 4, 1993  
INVENTOR(S) : Carlos V. Ugalde

It is certified that error appears in the above-identified patent and that said Letters Patent is hereby corrected as shown below:

On title page, item

[63] Related U.S. Application Data, insert  
-- This application is related to co-pending U.S.  
Patent application Serial No. 07/704,462, filed on  
May 23, 1991 and assigned to a common assignee. --

Signed and Sealed this  
Eighteenth Day of January, 1994

Attest:



BRUCE LEHMAN

Attesting Officer

Commissioner of Patents and Trademarks