



US00D335220S

# United States Patent [19]

Ward et al.

[11] Patent Number: **Des. 335,220**

[45] Date of Patent: **\*\* May 4, 1993**

[54] **UTILITY CASE**

[75] Inventors: **William W. Ward, Clayton; Donald R. Reynolds, Raleigh, both of N.C.**

[73] Assignee: **Southern Case, Inc., Raleigh, N.C.**

[\*\*] Term: **14 Years**

[21] Appl. No.: **682,715**

[22] Filed: **Apr. 9, 1991**

[52] U.S. Cl. .... **D3/78**

[58] Field of Search ..... **D3/30.1, 78, 76; 206/387, 349, 350, 351, 425, 444, 45.23, 45.2, 541; 220/DIG. 26; D28/84**

[56] **References Cited**

**U.S. PATENT DOCUMENTS**

D. 236,291 8/1975 Schurman ..... **D3/76 X**  
D. 264,396 5/1982 Harvey et al. .... **D3/30.1**

D. 271,444 11/1983 Levine ..... **D3/78 X**  
D. 283,561 4/1986 Geist ..... **D3/30.1 X**  
2,510,643 6/1950 Long ..... **190/115 X**  
4,967,906 11/1990 Morello et al. .... **206/387**

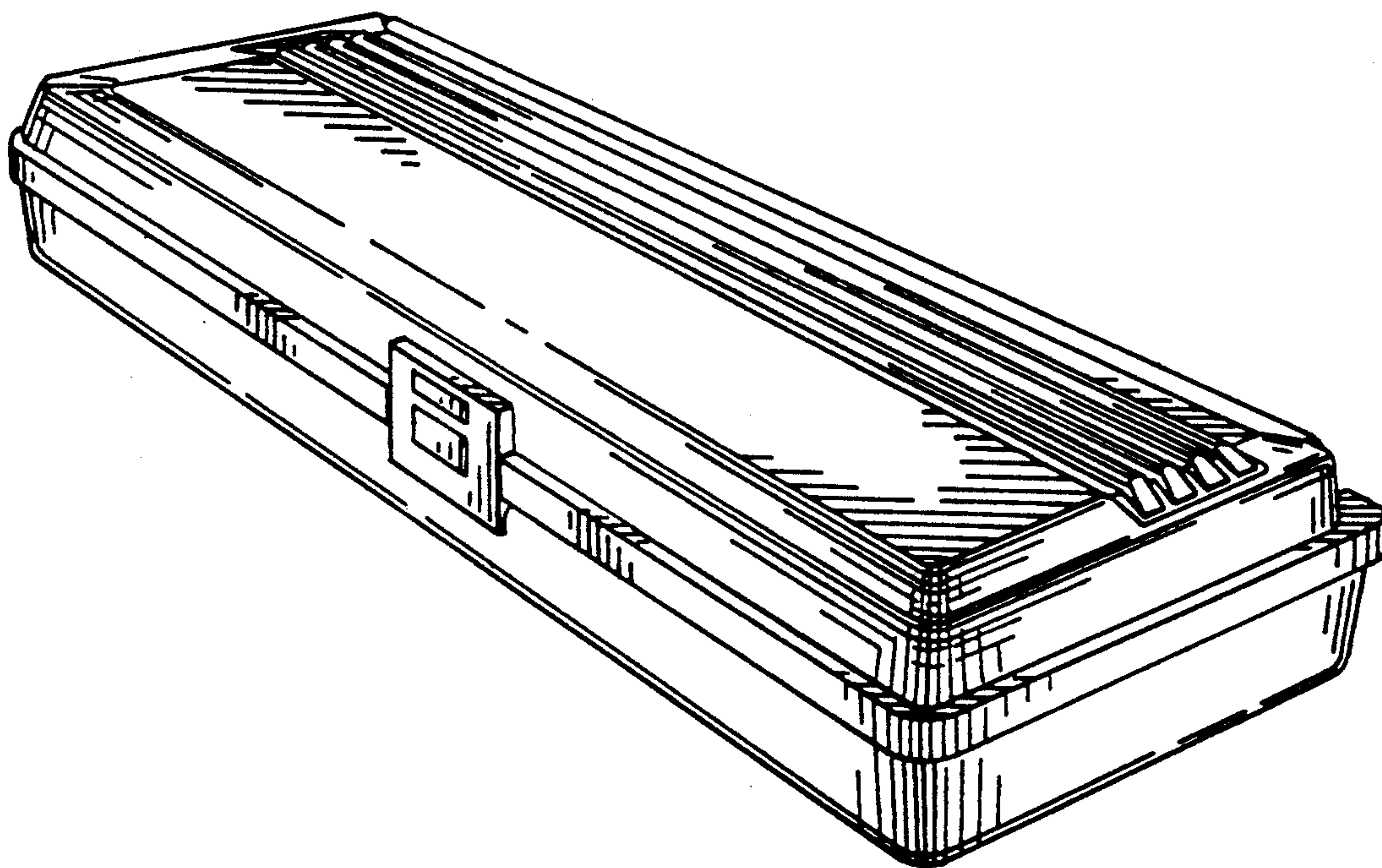
*Primary Examiner*—A. Hugo Word  
*Assistant Examiner*—Paula A. Mortimore  
*Attorney, Agent, or Firm*—Bell, Seltzer, Park & Gibson

[57] **CLAIM**

The ornamental design for a utility case, as shown.

**DESCRIPTION**

FIG. 1 is a top perspective view of a utility case showing our new design;  
FIG. 2 is a right side elevational view thereof;  
FIG. 3 is a left side elevational view thereof;  
FIG. 4 is a top plan view thereof;  
FIG. 5 is a front elevational view thereof;  
FIG. 6 is a rear elevational view thereof; and,  
FIG. 7 is a bottom plan view thereof.



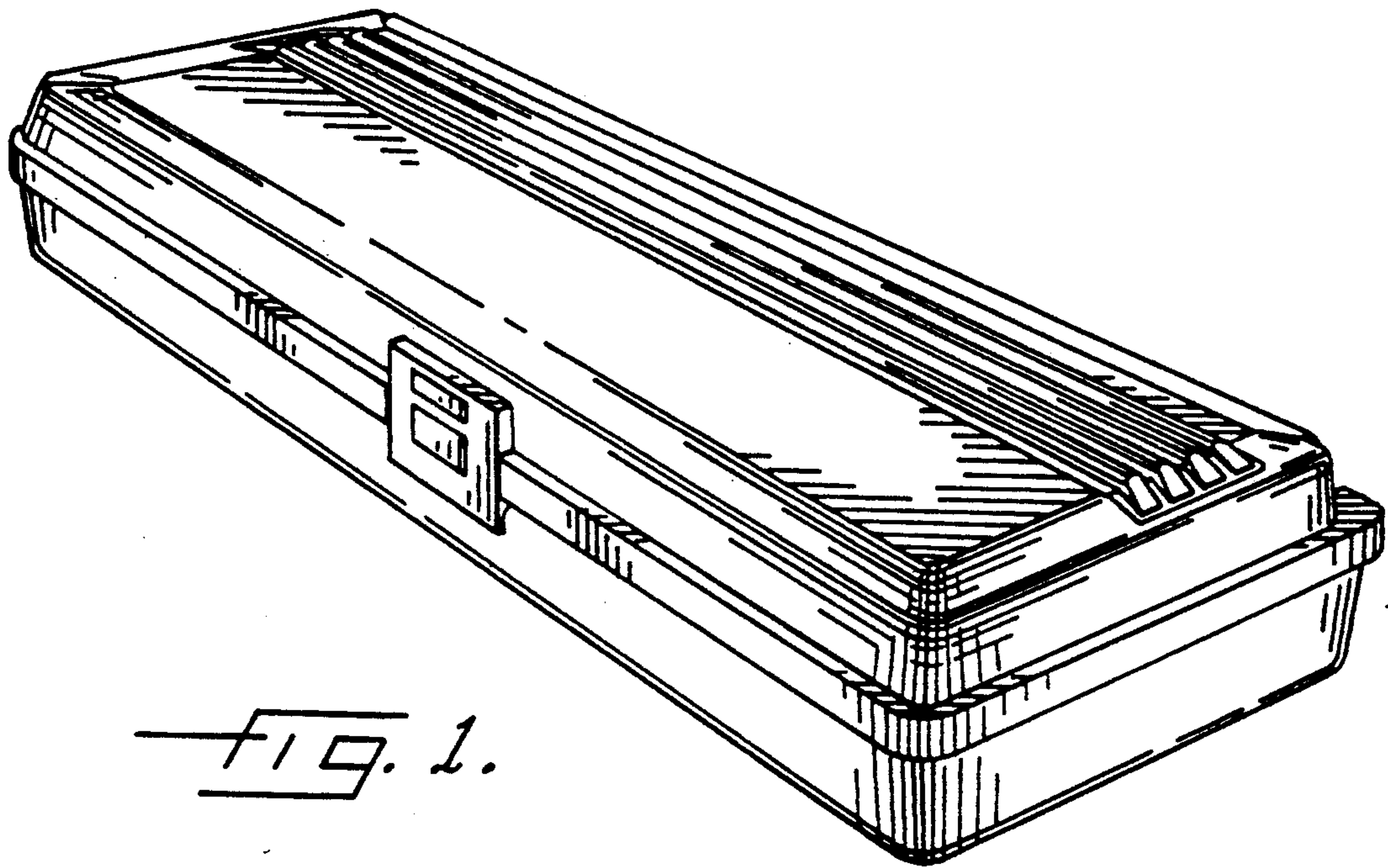


FIG. 1.

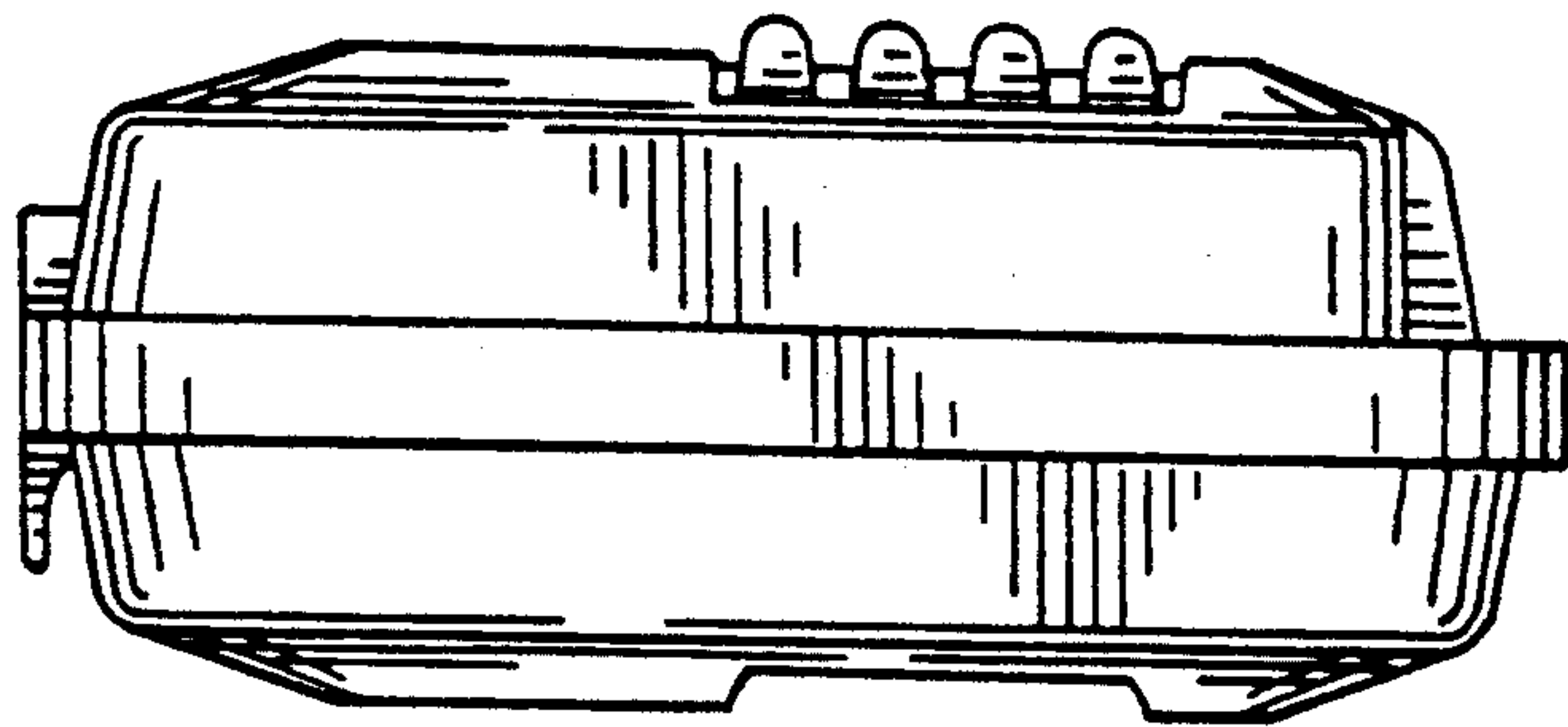


FIG. 2.

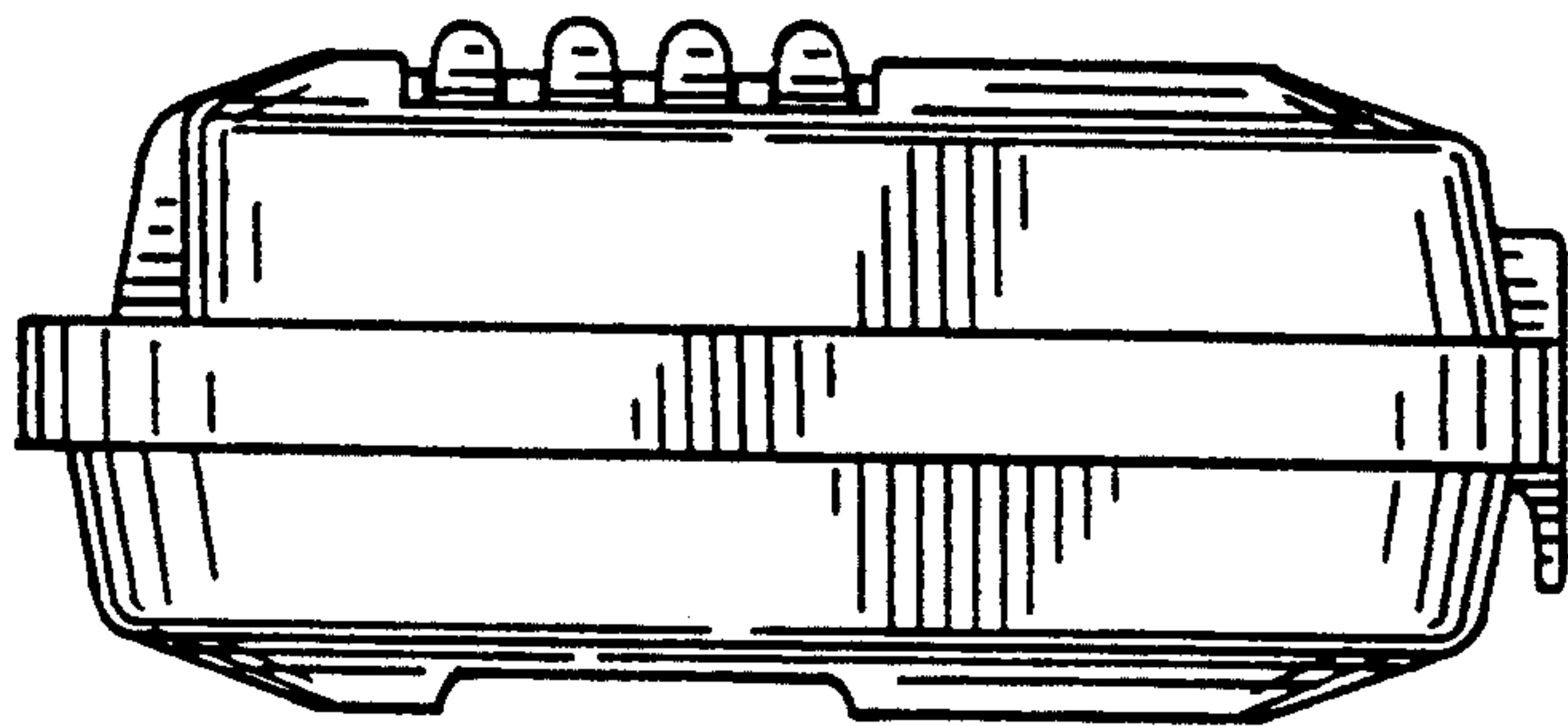


FIG. 3.



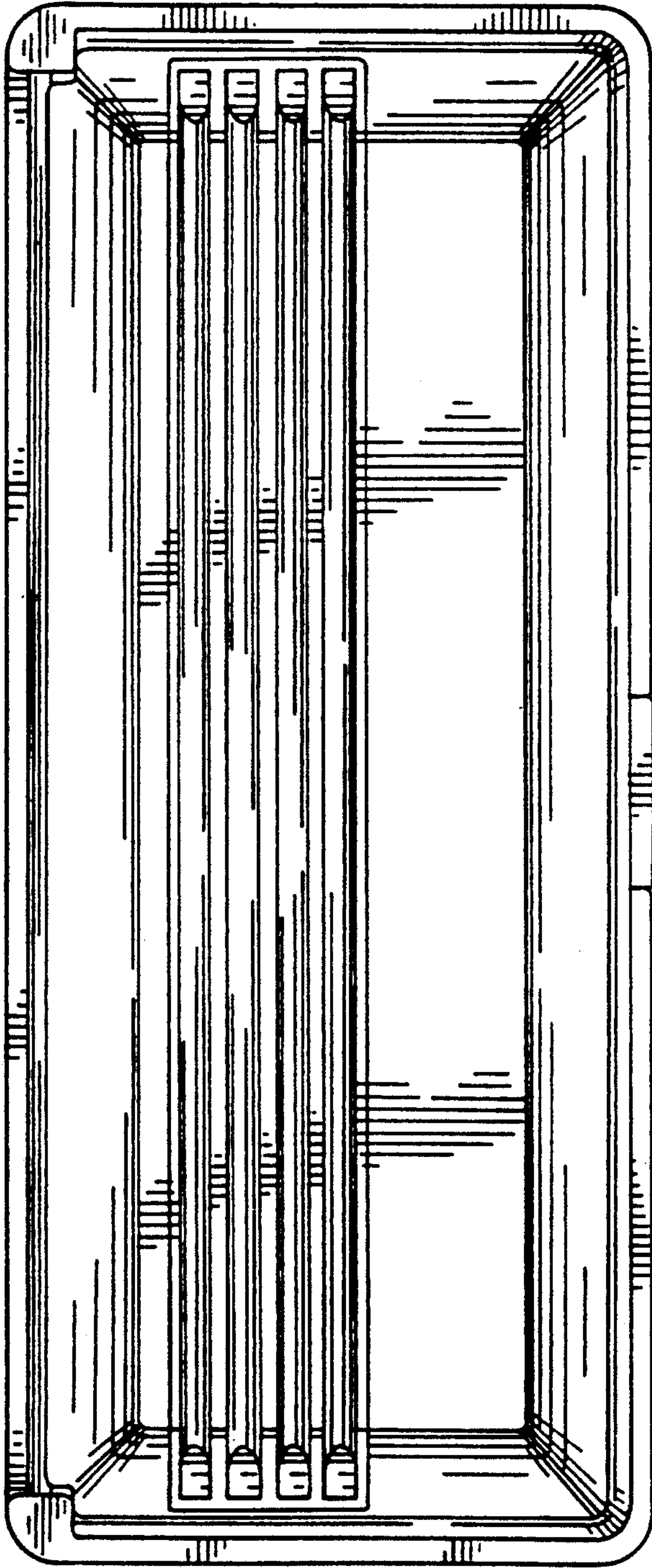


FIG. 4.

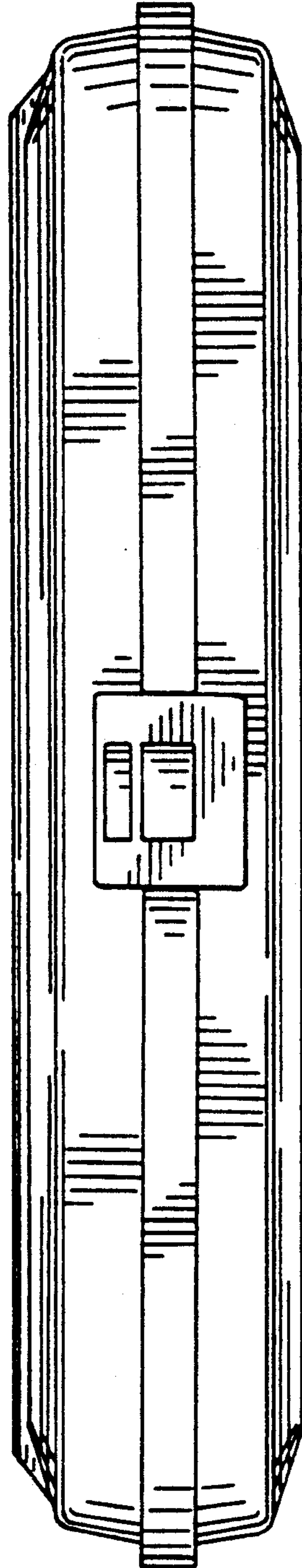


FIG. 5.

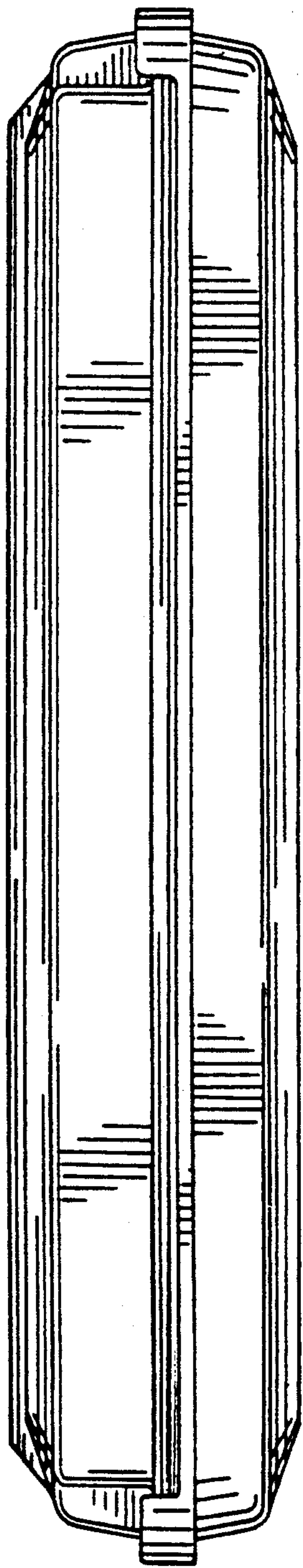


FIG. 6.

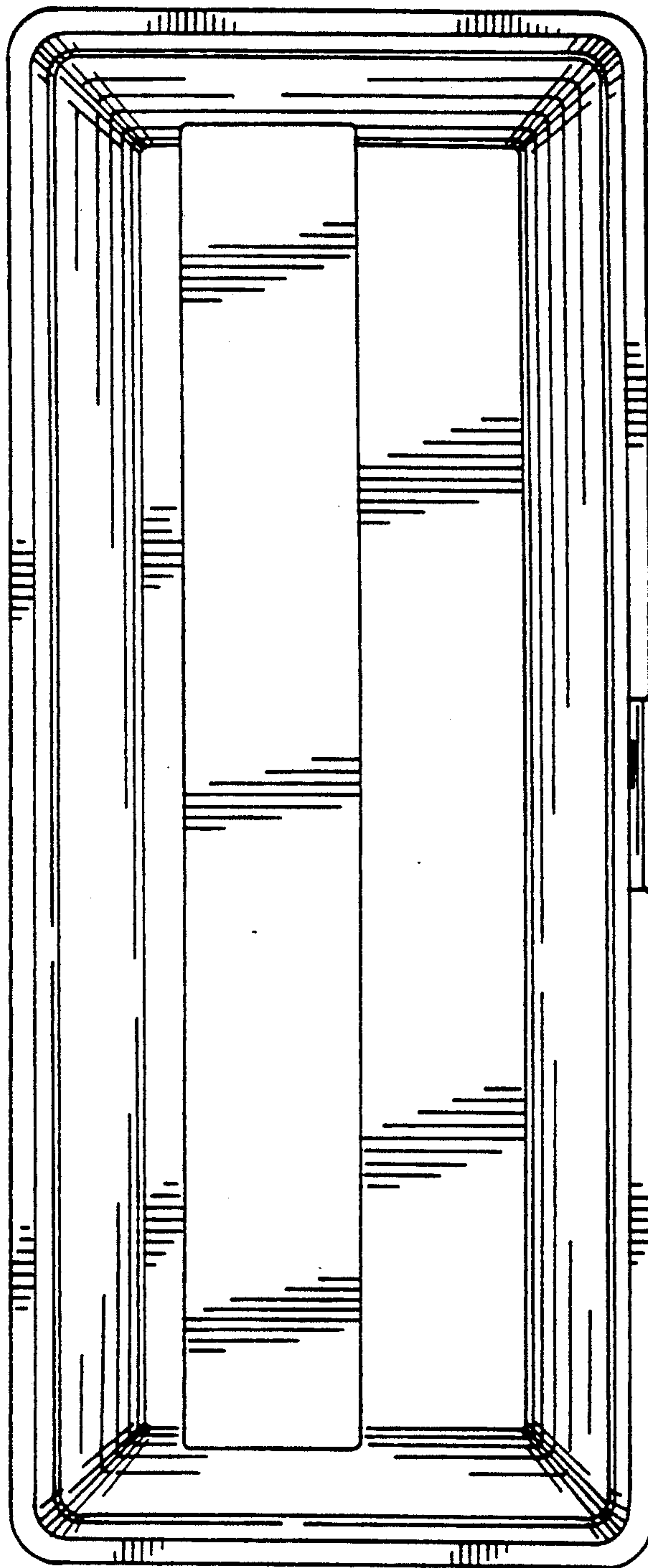


FIG. 7.