



US00D335219S

United States Patent [19]

[11] Patent Number: Des. 335,219

Vogt et al.

[45] Date of Patent: ** May 4, 1993

[54] PERSONAL BELONGINGS CARRYING CASE

[76] Inventors: Richard Vogt; Jane E. Schmeichel, both of 27 Dogwood Dr., Bella Vista, Ark. 72714

[**] Term: 14 Years

[21] Appl. No.: 683,652

[22] Filed: Apr. 11, 1991

[52] U.S. Cl. D3/73

[58] Field of Search D3/73, 76, 78, 30.1; 312/244; 206/372, 373, 38, 37.8, 315.9, 315.91, 37.7, 37.6; 190/111-115; 220/335, 338, 4.22, 356, 334, 337, 306

4,294,348	10/1981	Hastings	206/373	X
4,504,000	3/1985	Doyer	D3/73	X
4,550,828	11/1985	Baldwin et al.	206/373	X
4,927,015	5/1990	Jones	206/315.9	
5,115,965	5/1992	Girona-Alepuz	206/315.9	X

FOREIGN PATENT DOCUMENTS

553428	6/1932	Fed. Rep. of Germany	.
732690	6/1932	France	.

Primary Examiner—A. Hugo Word
Assistant Examiner—Paula A. Mortimer
Attorney, Agent, or Firm—Terry M. Gernstein

[57] CLAIM

The ornamental design for a personal belongings carrying case, as shown and described.

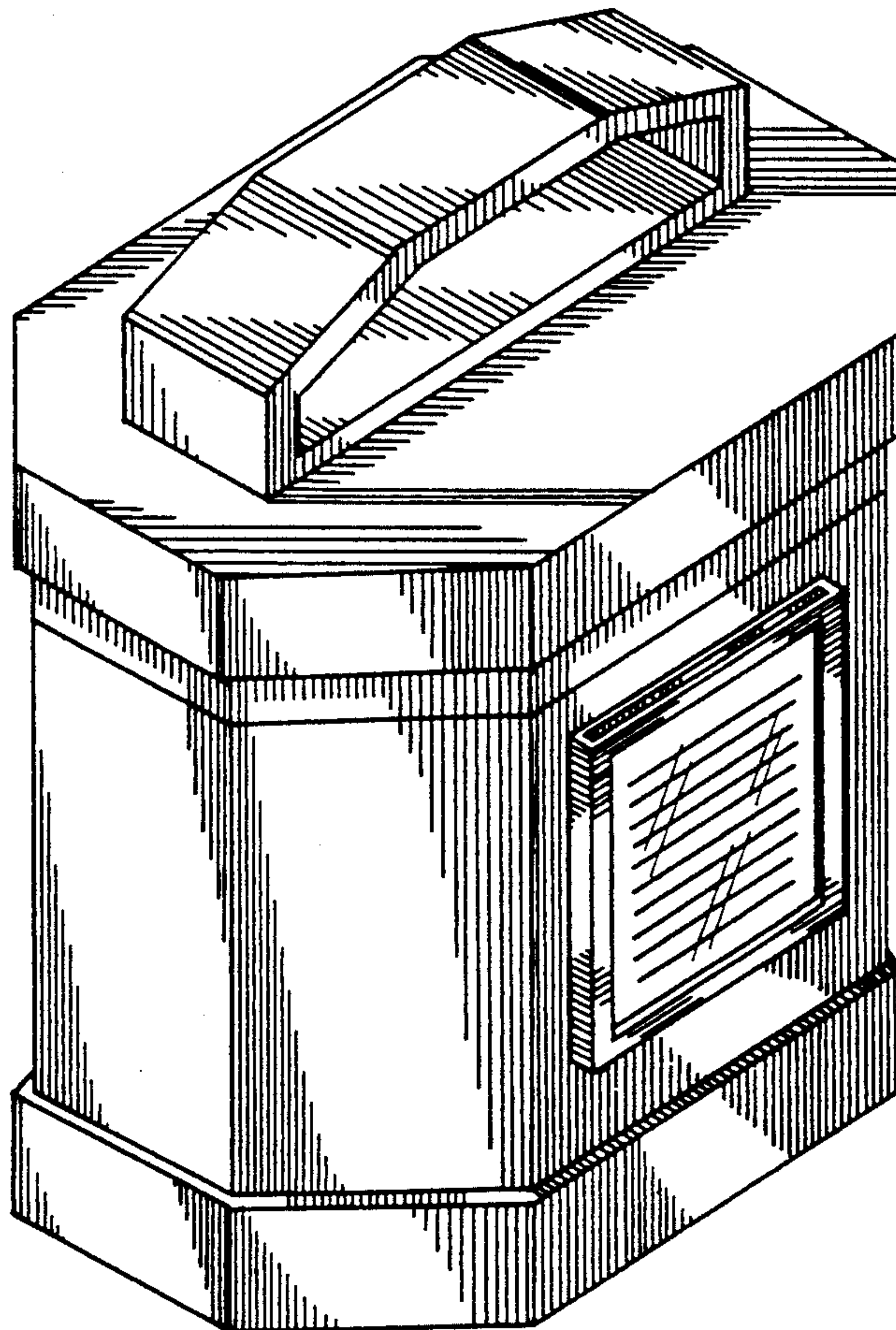
DESCRIPTION

FIG. 1 is a front perspective view of a personal belongings carrying case showing my new design; FIG. 2 is a front elevational view thereof; FIG. 3 is a rear elevational view thereof; FIG. 4 is a side elevational view thereof, the side opposite being a mirror image of the side shown in FIG. 4; FIG. 5 is a top plan view thereof; and, FIG. 6 is a bottom view thereof.

[56] References Cited

U.S. PATENT DOCUMENTS

D. 175,763	10/1955	Del Mas	D3/76	X
D. 219,084	10/1970	Moore	D3/78	X
D. 317,677	6/1991	Posso	D3/78	X
D. 323,935	2/1992	Ward	D3/30.1	X
2,997,198	8/1961	Hooker	D3/76	
3,128,002	4/1964	Buchanan	D3/76	
3,169,615	2/1965	Stein	D3/76	
4,166,530	9/1979	Robinson	206/315.91	X



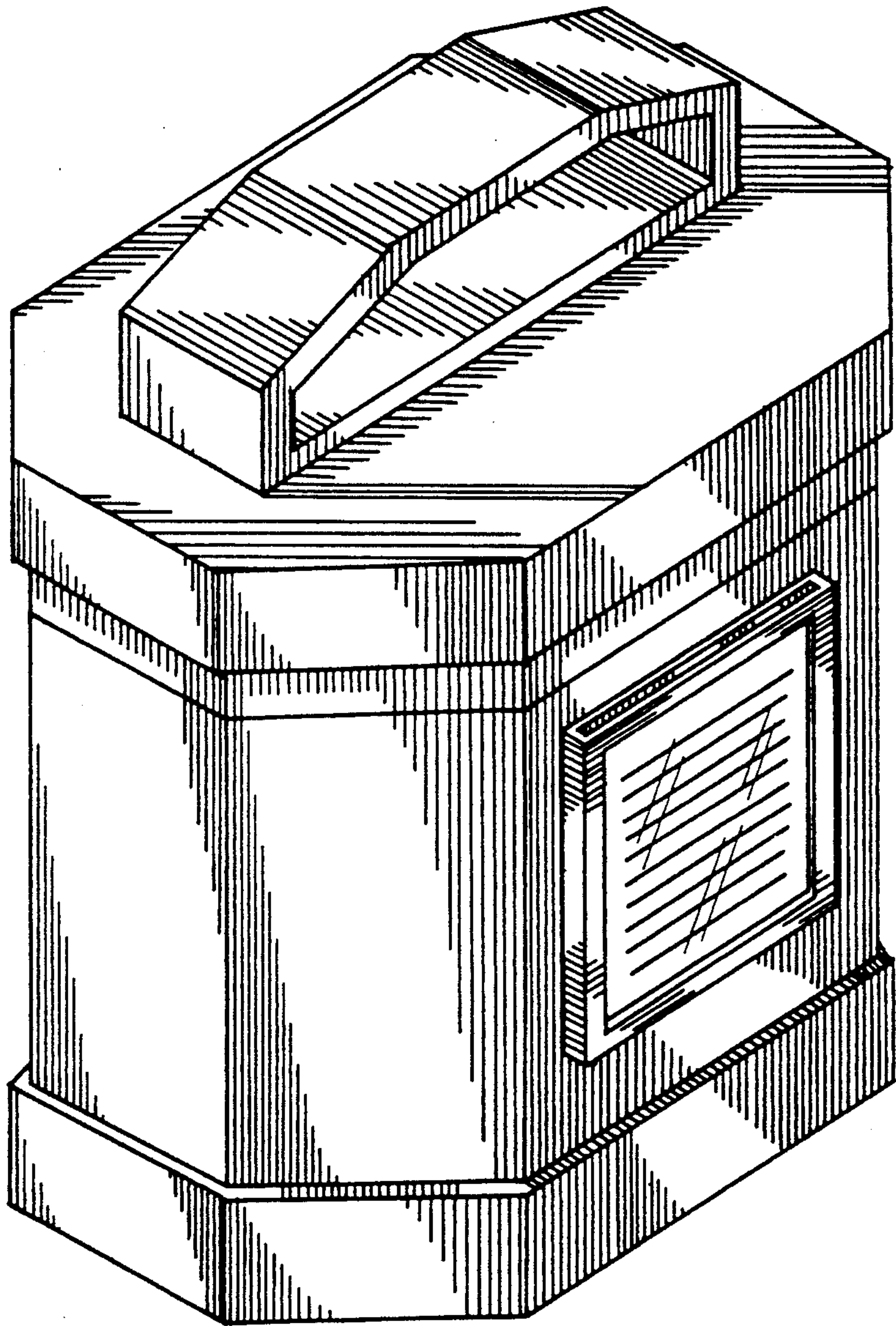


FIG. 1

FIG. 5.

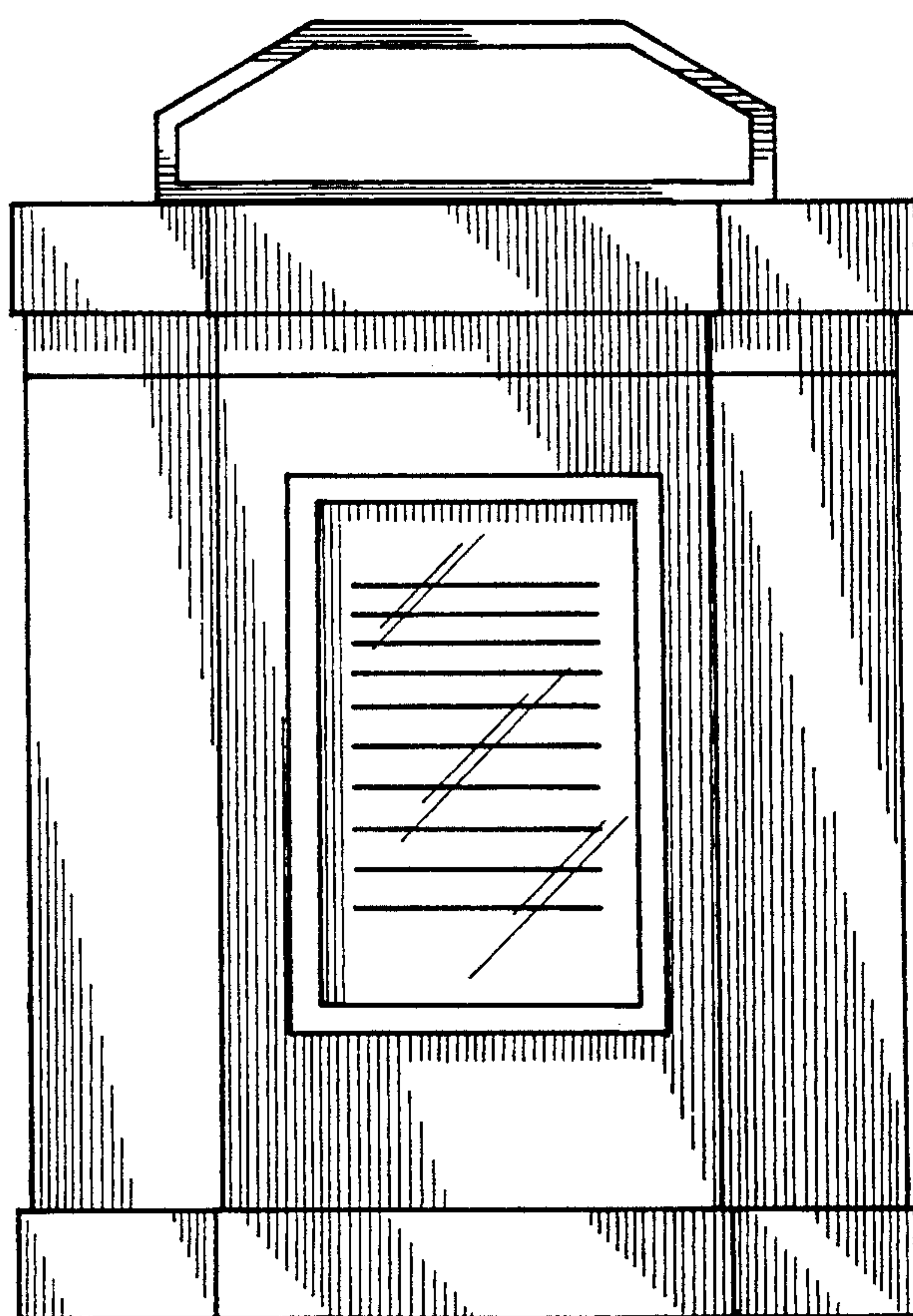
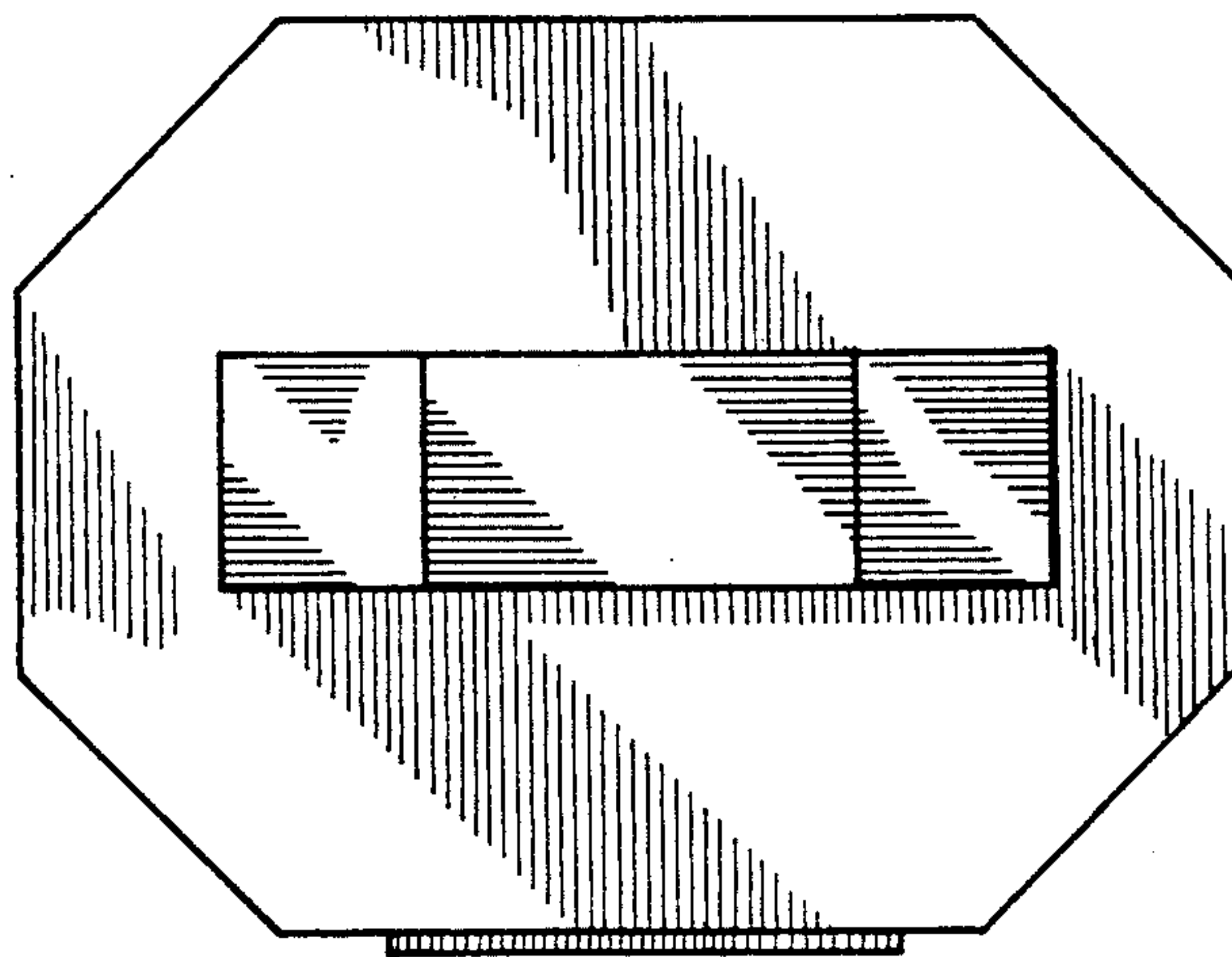


FIG. 2.

FIG. 6.

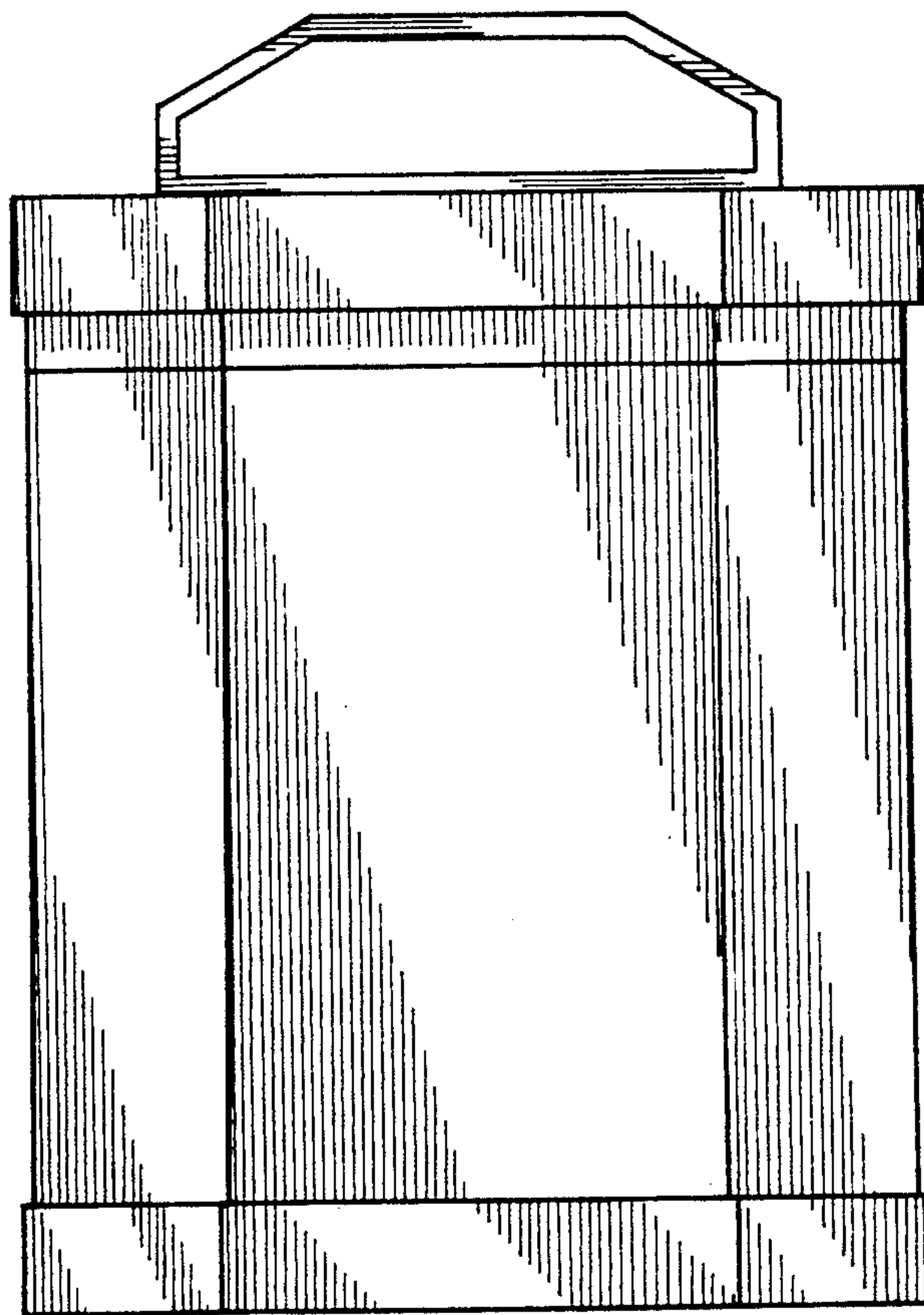
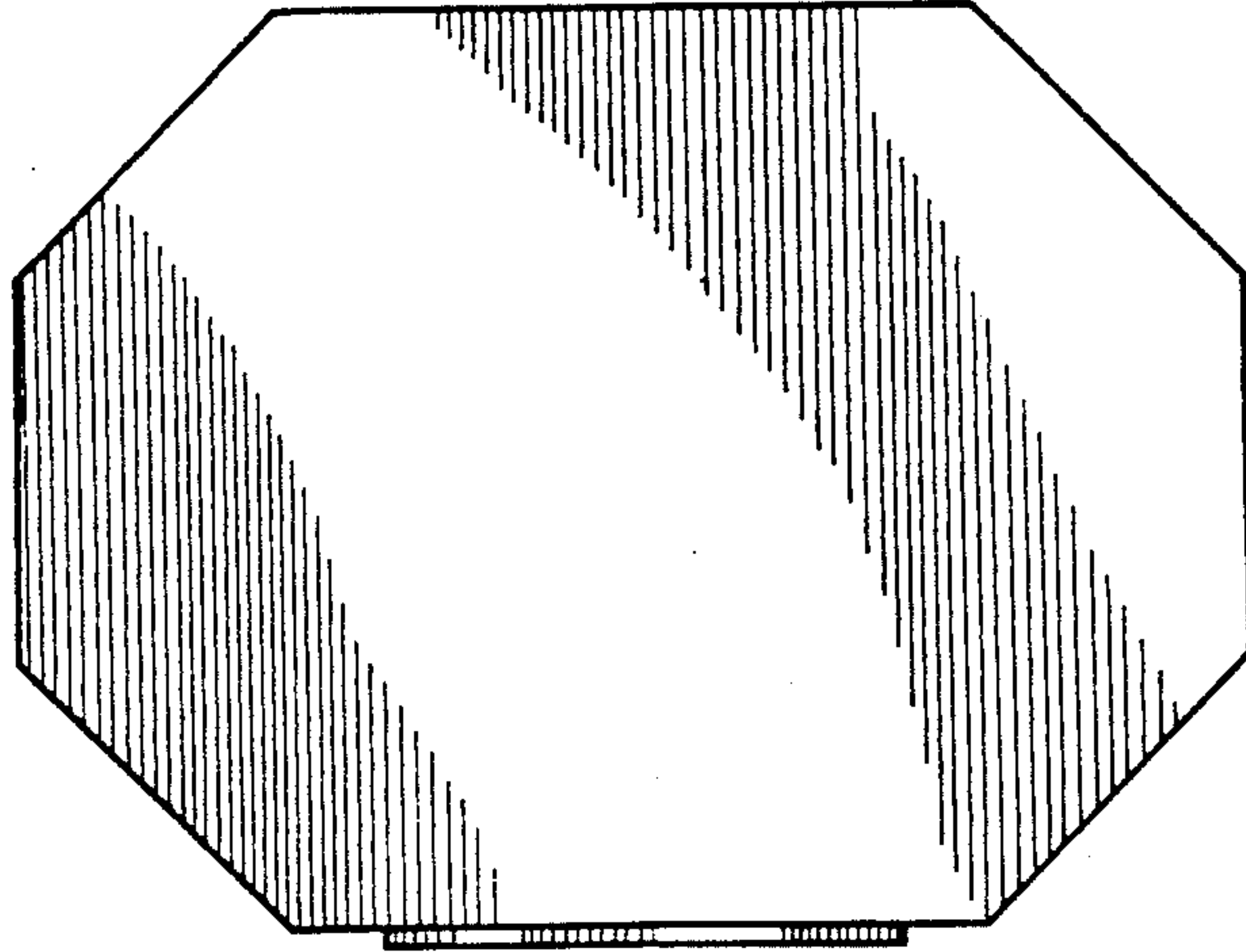


FIG. 3.

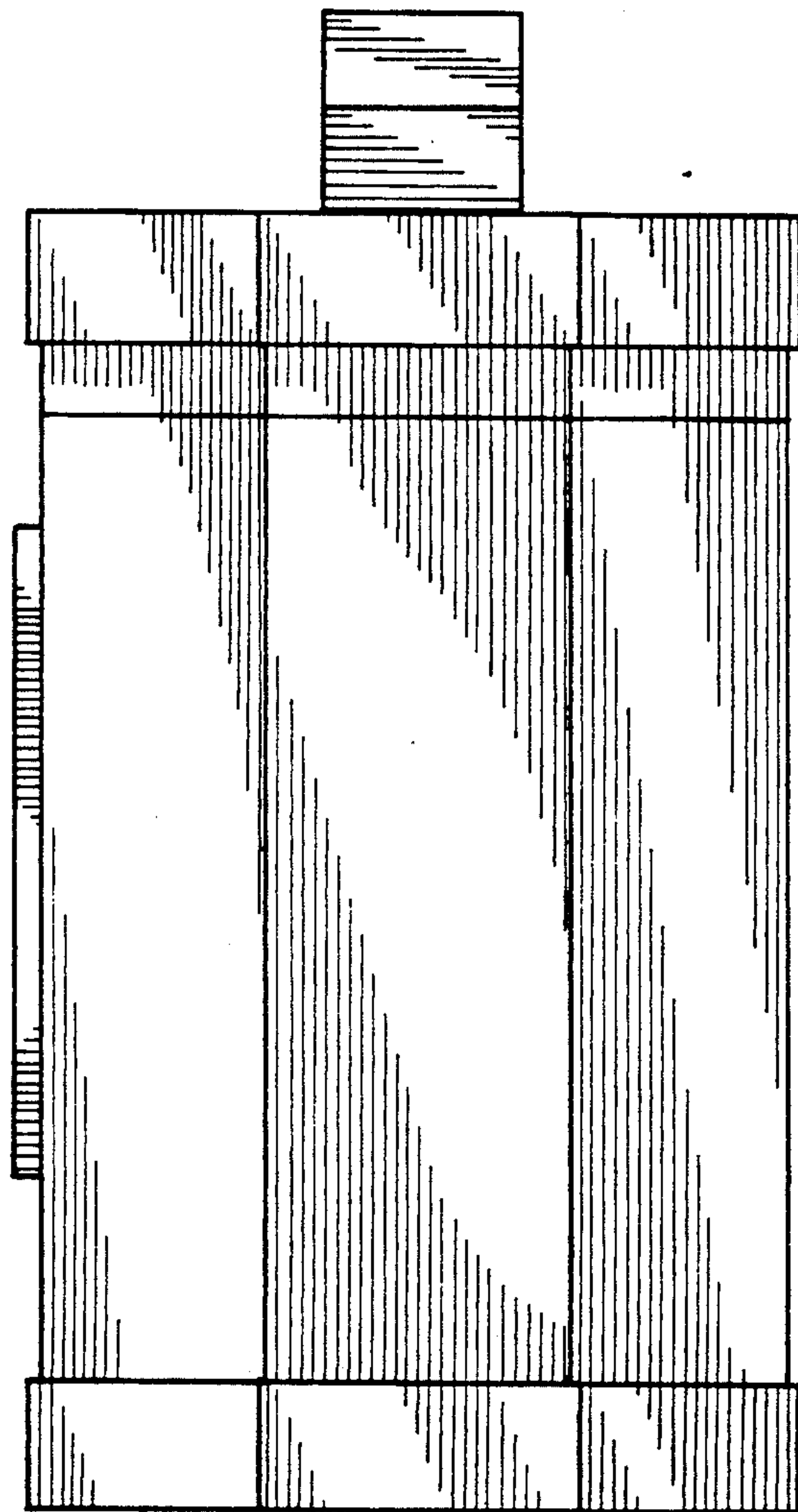


FIG. 4.