



US00D335213S

# United States Patent [19]

[11] Patent Number: **Des. 335,213**

Horikiri

[45] Date of Patent: **\*\* May 4, 1993**

[54] **CASE FOR AUDIO TAPE CASSETTES**

4,863,025	9/1989	Wolf	.....	206/387
5,038,932	8/1991	Shen	.....	D3/35
5,064,065	11/1991	Takahashi	.....	206/387

[75] Inventor: **Kazuhisa Horikiri, Kanagawa, Japan**

[73] Assignee: **Fuji Photo Film Co., Ltd., Kanagawa, Japan**

*Primary Examiner*—A. Hugo Word  
*Assistant Examiner*—Celia A. Murphy  
*Attorney, Agent, or Firm*—Young & Thompson

[\*\*] Term: **14 Years**

[21] Appl. No.: **716,232**

[57] **CLAIM**

[22] Filed: **Jun. 17, 1991**

The ornamental design for a case for audio tape cassettes, as shown and described.

[52] U.S. Cl. .... **D3/35**

**DESCRIPTION**

[58] Field of Search ..... **D3/30.1, 35, 39, 56, D3/59, 60, 71, 74, 79, 100; D27/155, 157, 159, 172, 186, 189, 190, 191; 206/312, 387, 444, 420; 360/133**

FIG. 1 is a perspective view of a case for audio tape cassettes showing my new design;  
FIG. 2 is a front elevational view thereof;  
FIG. 3 is a rear elevational view thereof;  
FIG. 4 is a top plan view thereof;  
FIG. 5 is a bottom plan view thereof;  
FIG. 6 is a left side elevational view thereof;  
FIG. 7 is a right side elevational view thereof; and,  
FIG. 8 is a perspective view thereof shown in an open position.

[56] **References Cited**

**U.S. PATENT DOCUMENTS**

D. 271,064	10/1983	Shmako	.....	D3/35
3,272,325	9/1966	Schoenmakers	.....	D3/35
3,638,788	2/1972	Solomon	.....	D3/35
3,978,985	9/1976	Zinnbauer	.....	206/387

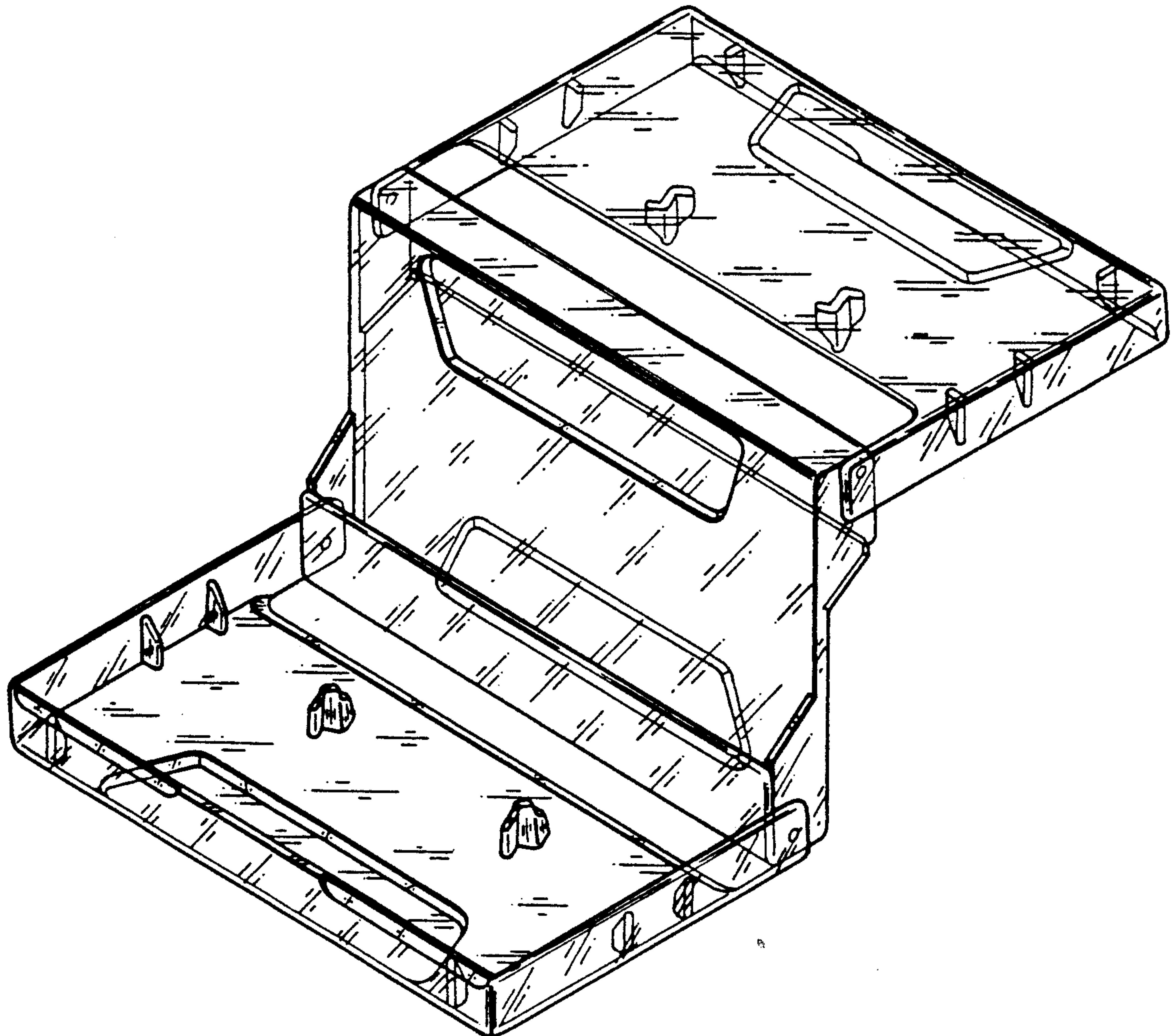


FIG. 1

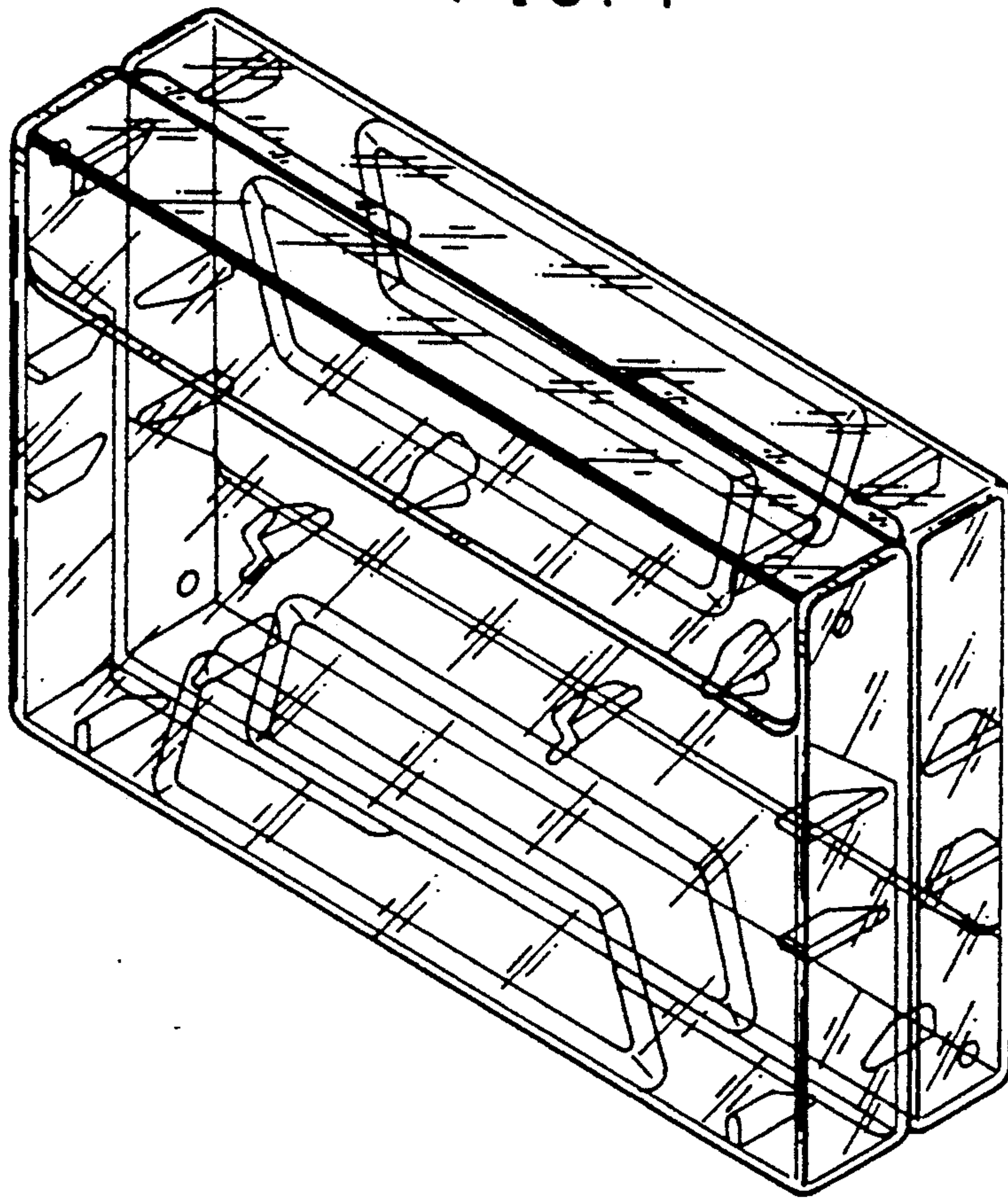


FIG. 2

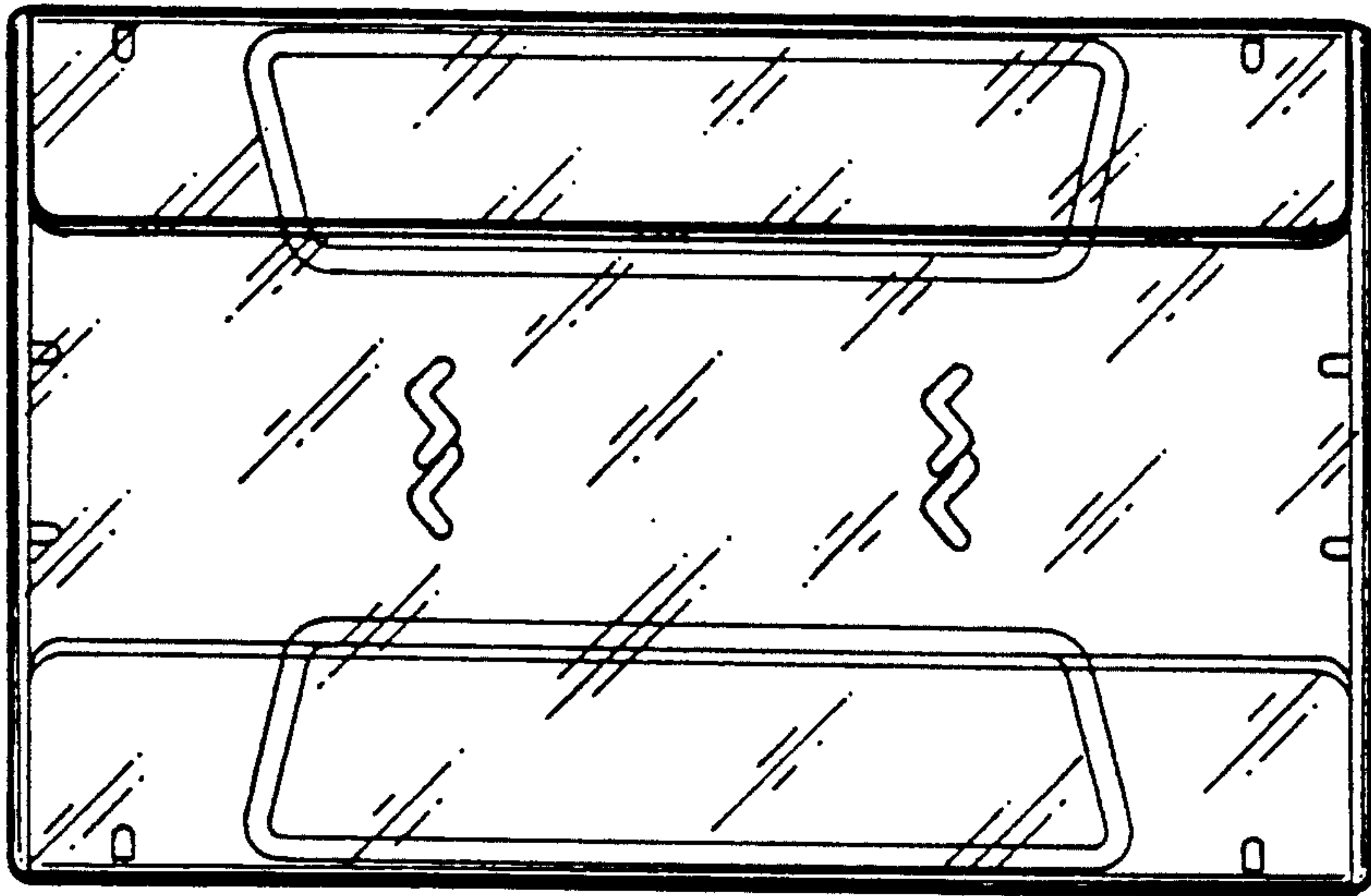


FIG. 3

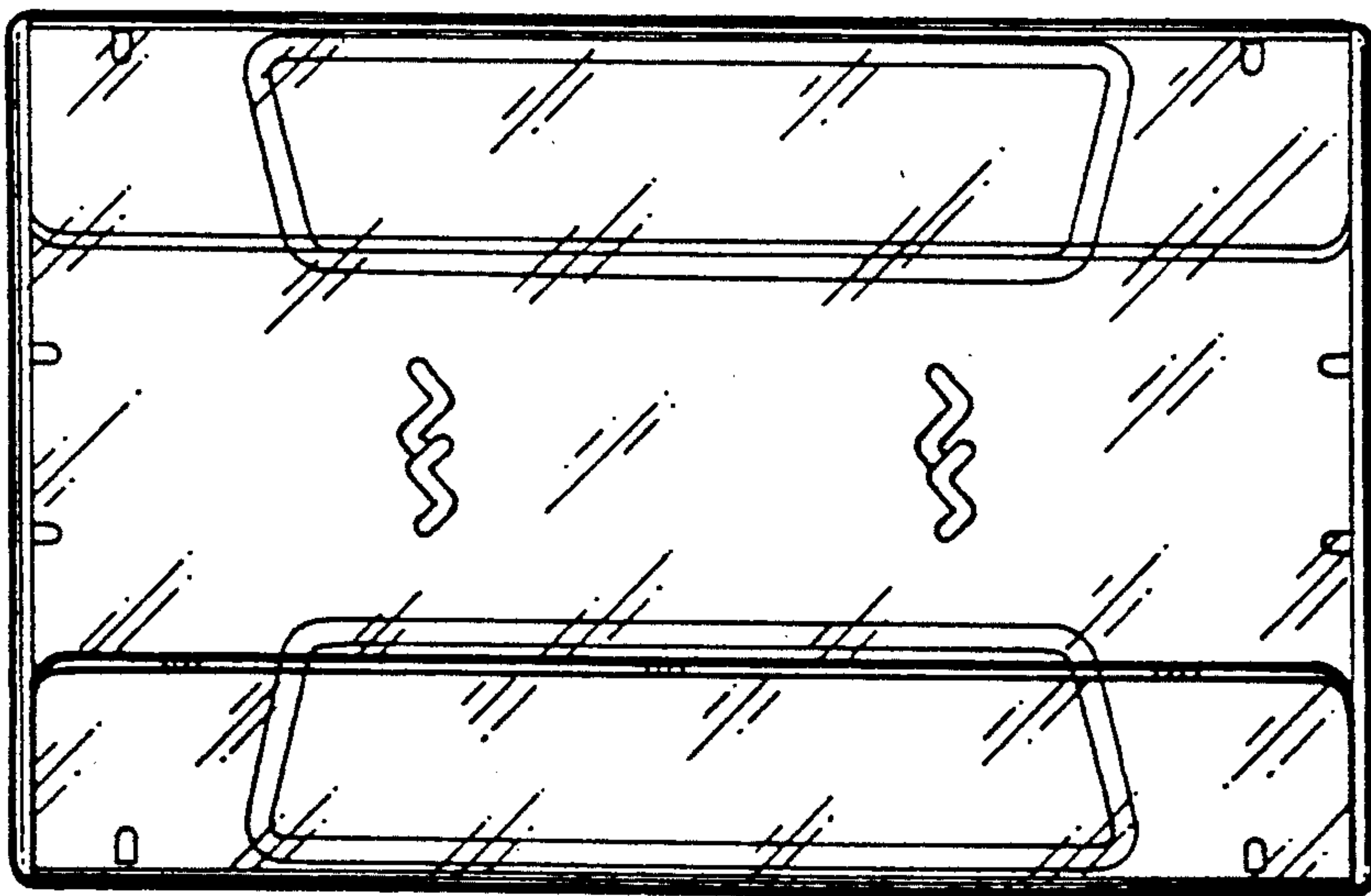




FIG. 4

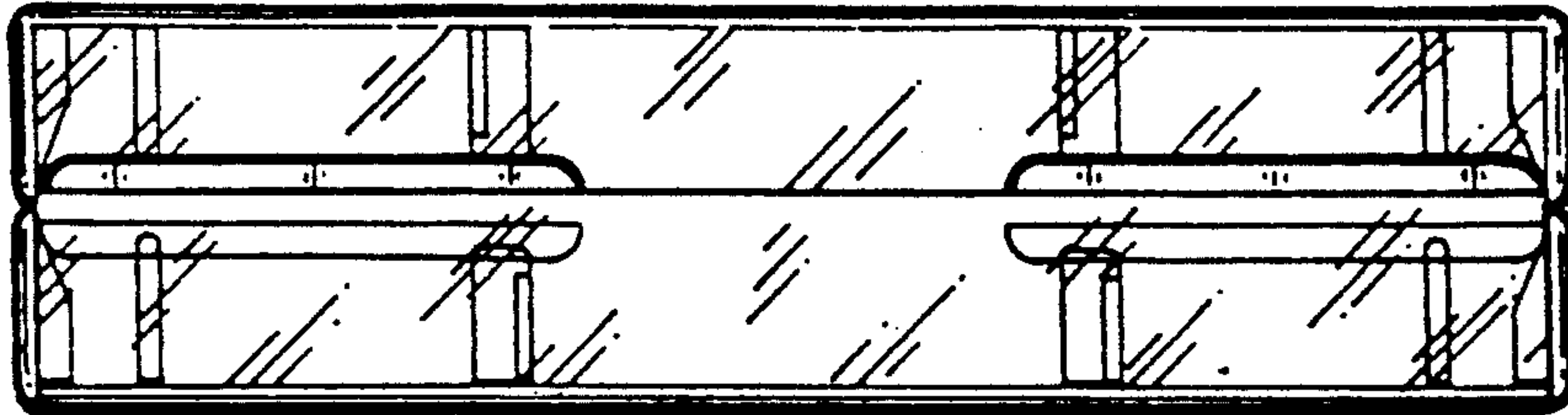


FIG. 5

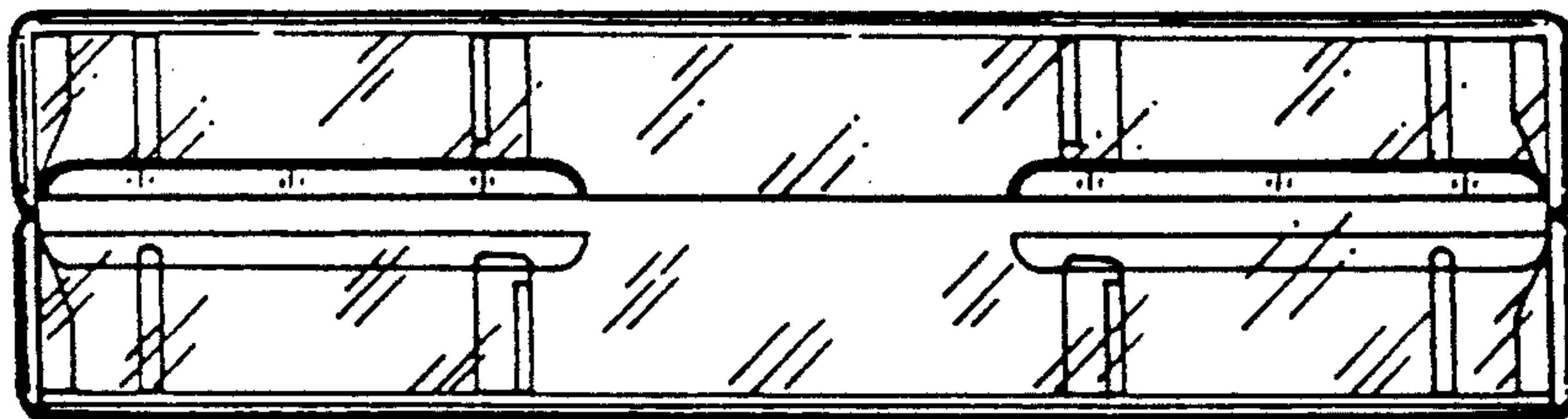


FIG. 6

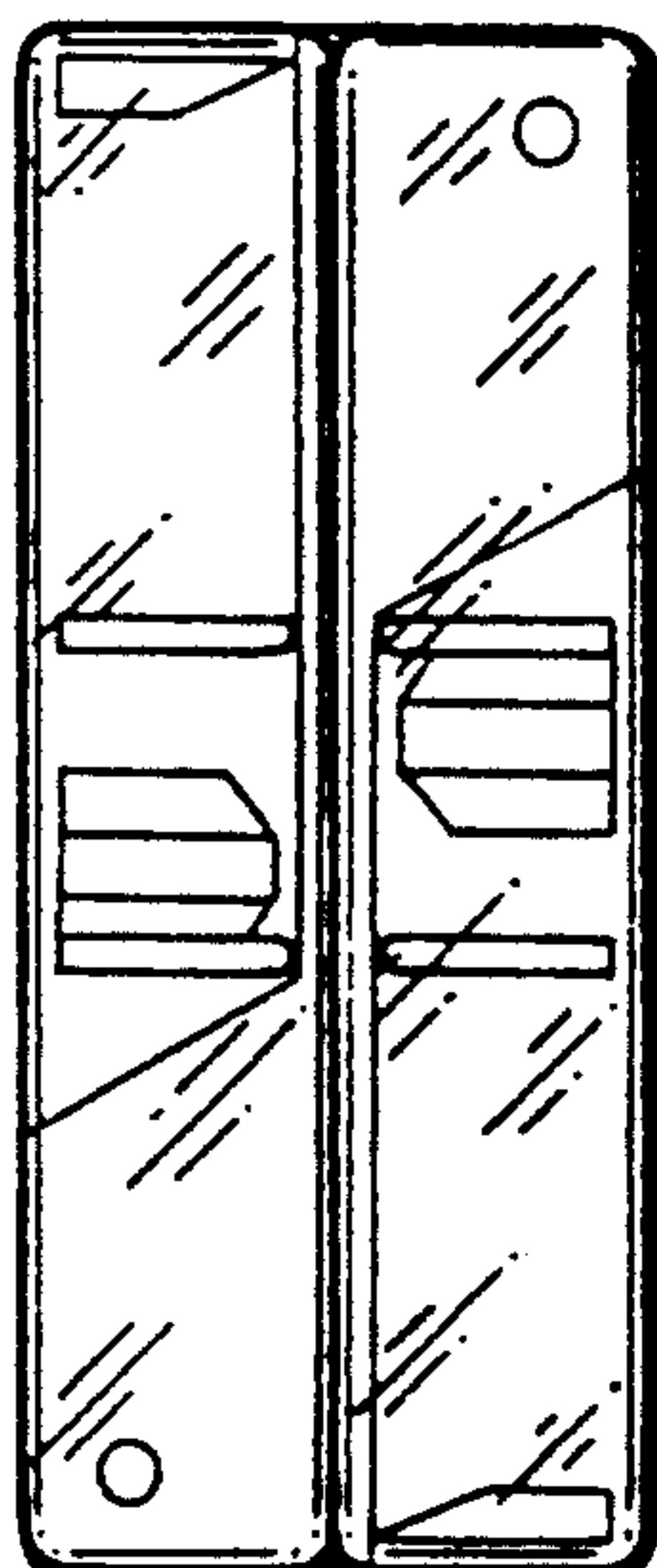
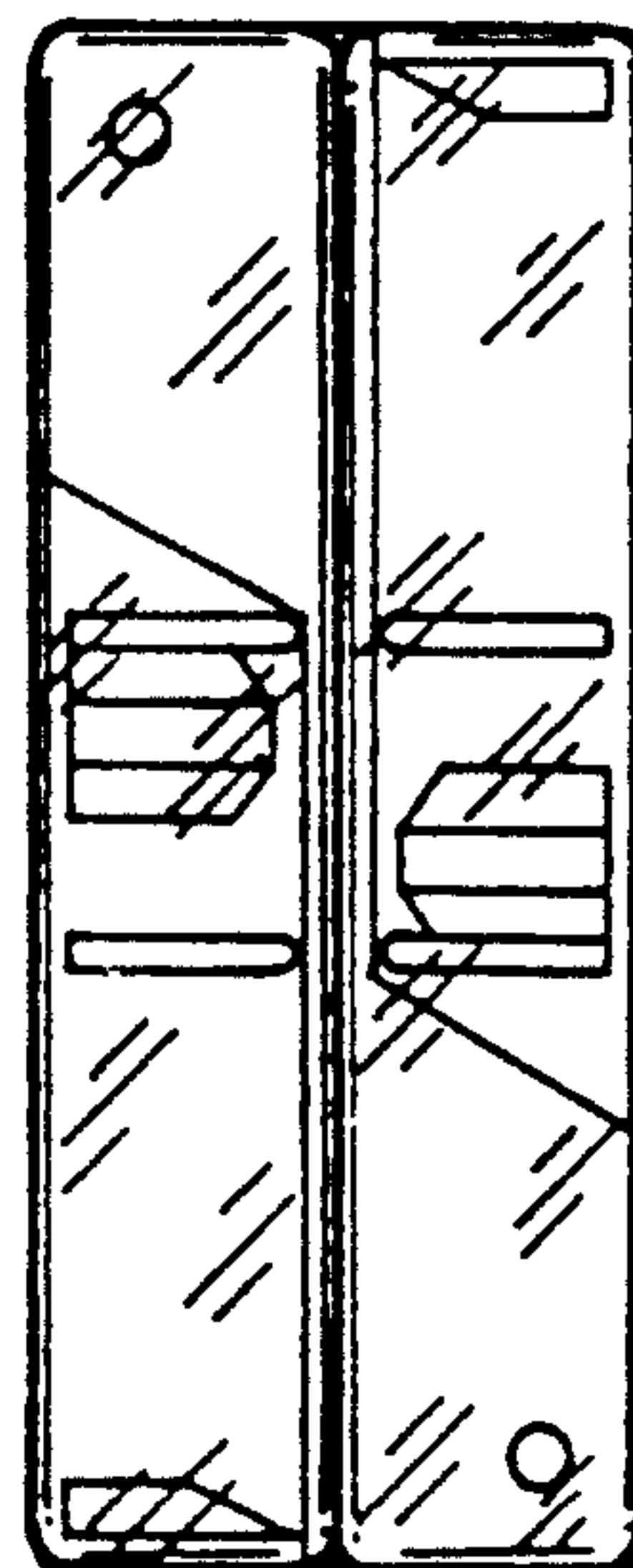


FIG. 7



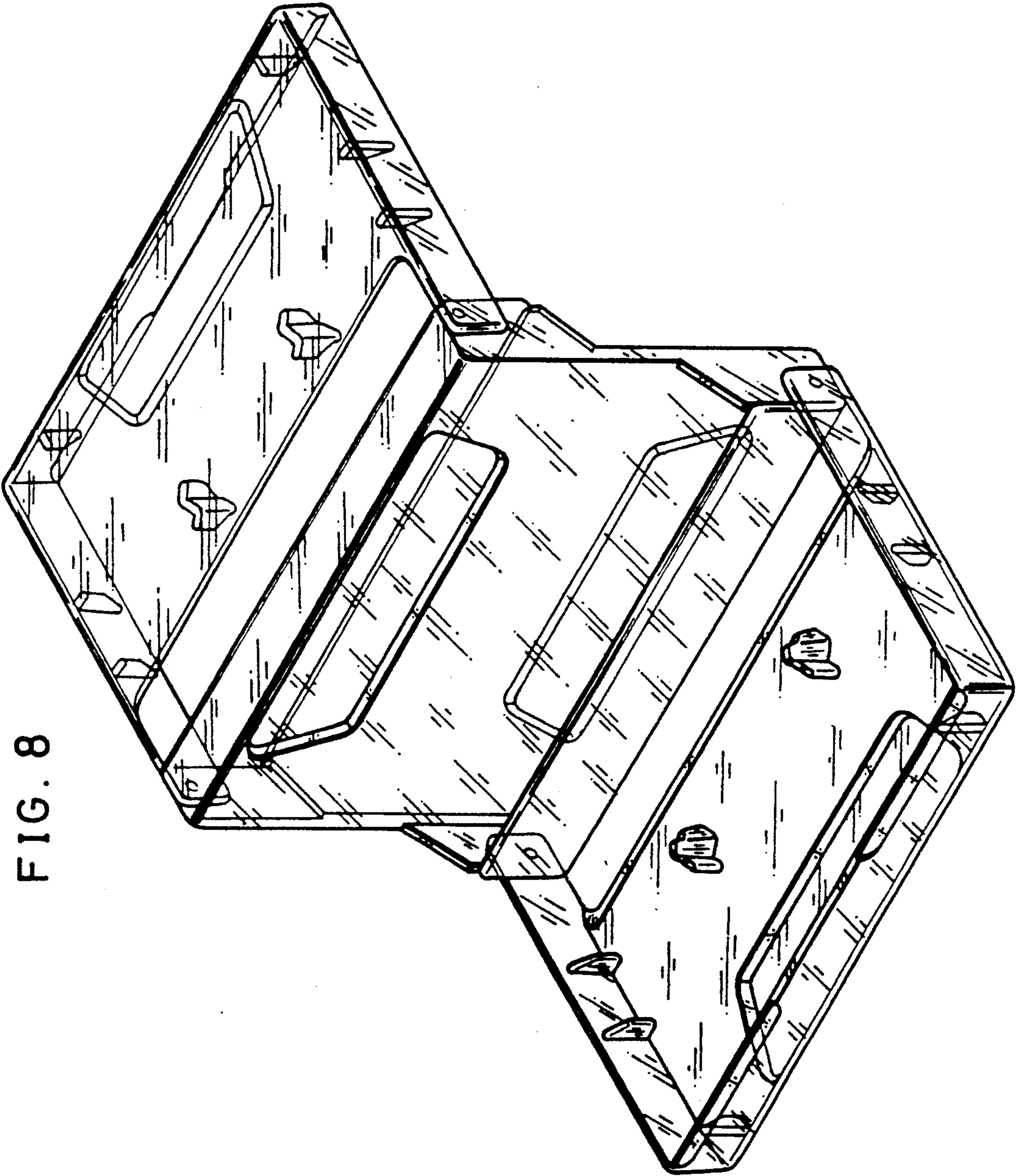


FIG. 8