



US00D335211S

United States Patent [19]

[11] Patent Number: **Des. 335,211**

Hightower

[45] Date of Patent: **** May 4, 1993**

[54] **SHIRT RETAINING STRAP SET**

2,437,714 3/1948 Thomason, Jr. D2/626
3,052,891 9/1962 Panepinto 2/326

[76] Inventor: **Vickie Hightower**, 1046 N. Canton,
Tulsa, Okla. 74115

[**] Term: **14 Years**

[21] Appl. No.: **595,008**

[22] Filed: **Oct. 10, 1990**

OTHER PUBLICATIONS

Pedigrees 1988 Holiday Catalog, Item lower right of p.
27

Primary Examiner—A. Hugo Word
Assistant Examiner—R. Seifert
Attorney, Agent, or Firm—Richard C. Litman

Related U.S. Application Data

[63] Continuation-in-part of Ser. No. 113,263, Oct. 27, 1987,
abandoned.

[52] U.S. Cl. **D2/626; D2/632**

[58] Field of Search **D2/626, 639, 640, 624,
D2/632; D11/215; 2/326; D21/161; D29/11;
D30/152, 153**

[57] CLAIM

The new ornamental design for shirt retaining strap set,
as shown and described.

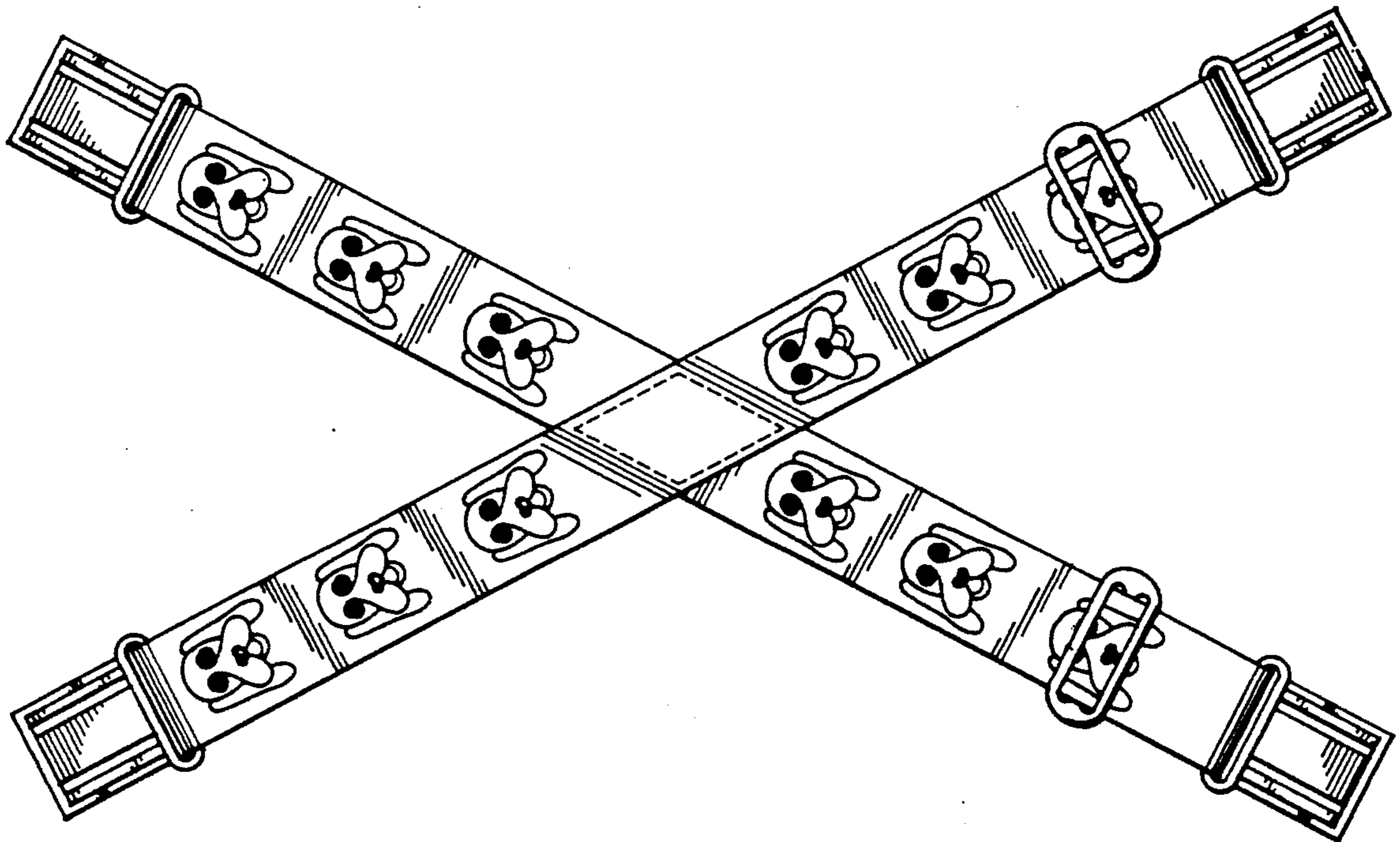
DESCRIPTION

FIG. 1 is a top plan view of the shirt retaining strap set
showing my new design;
FIG. 2 is a rear perspective view thereof;
FIG. 3 is a left side elevational view thereof;
FIG. 4 is a bottom plan view thereof; and,
FIG. 5 is an end elevational view of one of the straps.

[56] References Cited

U.S. PATENT DOCUMENTS

D. 71,283 10/1926 Leibovitz D2/632



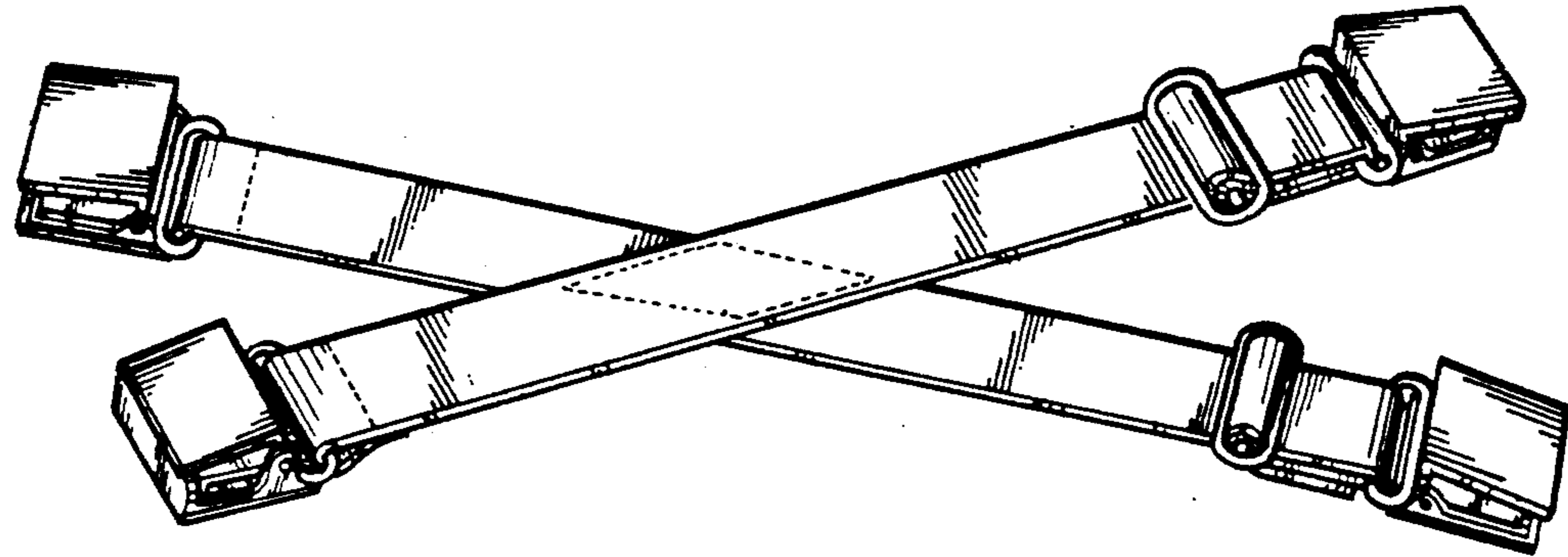


FIG. 3

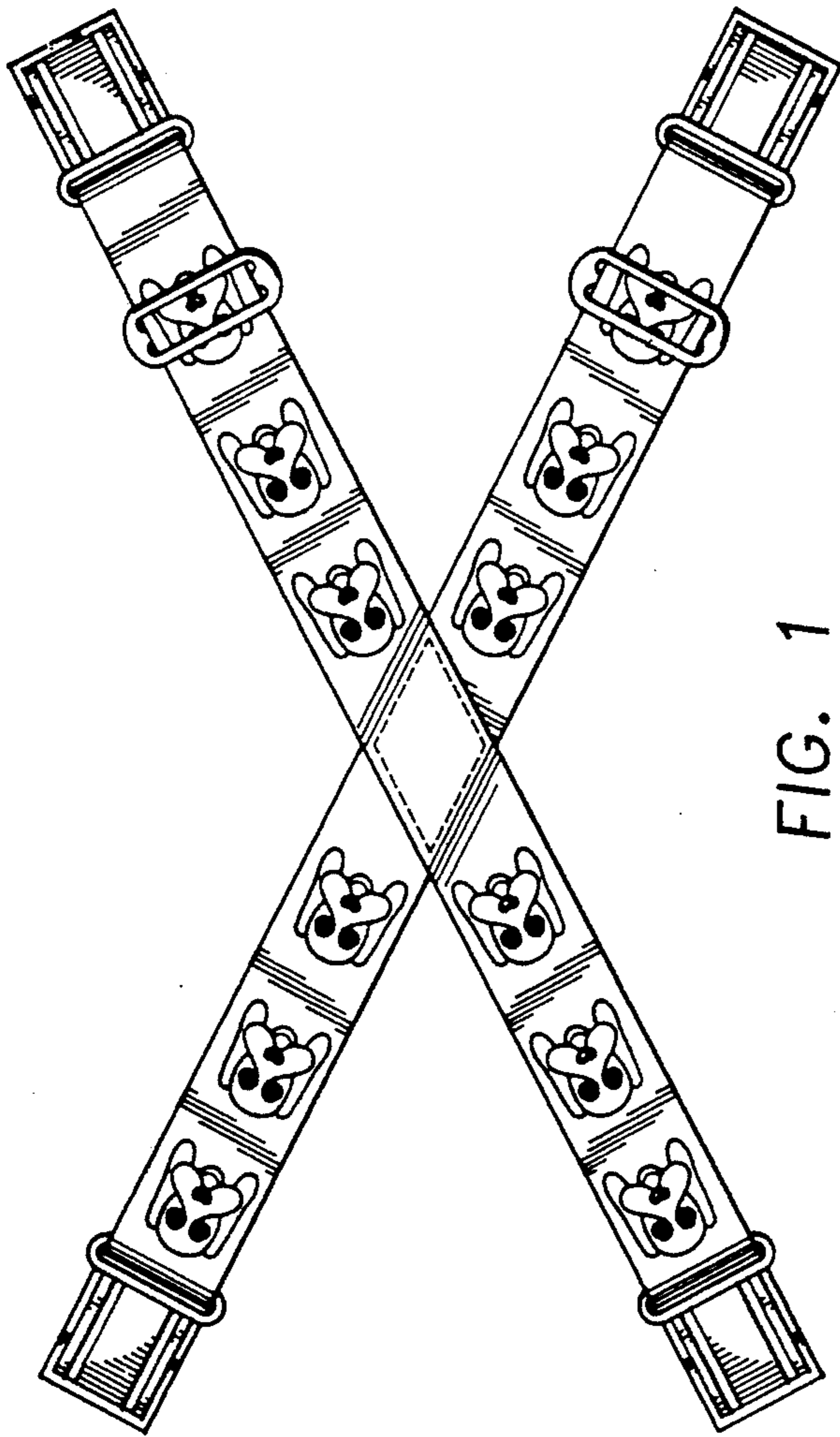


FIG. 1



FIG. 2

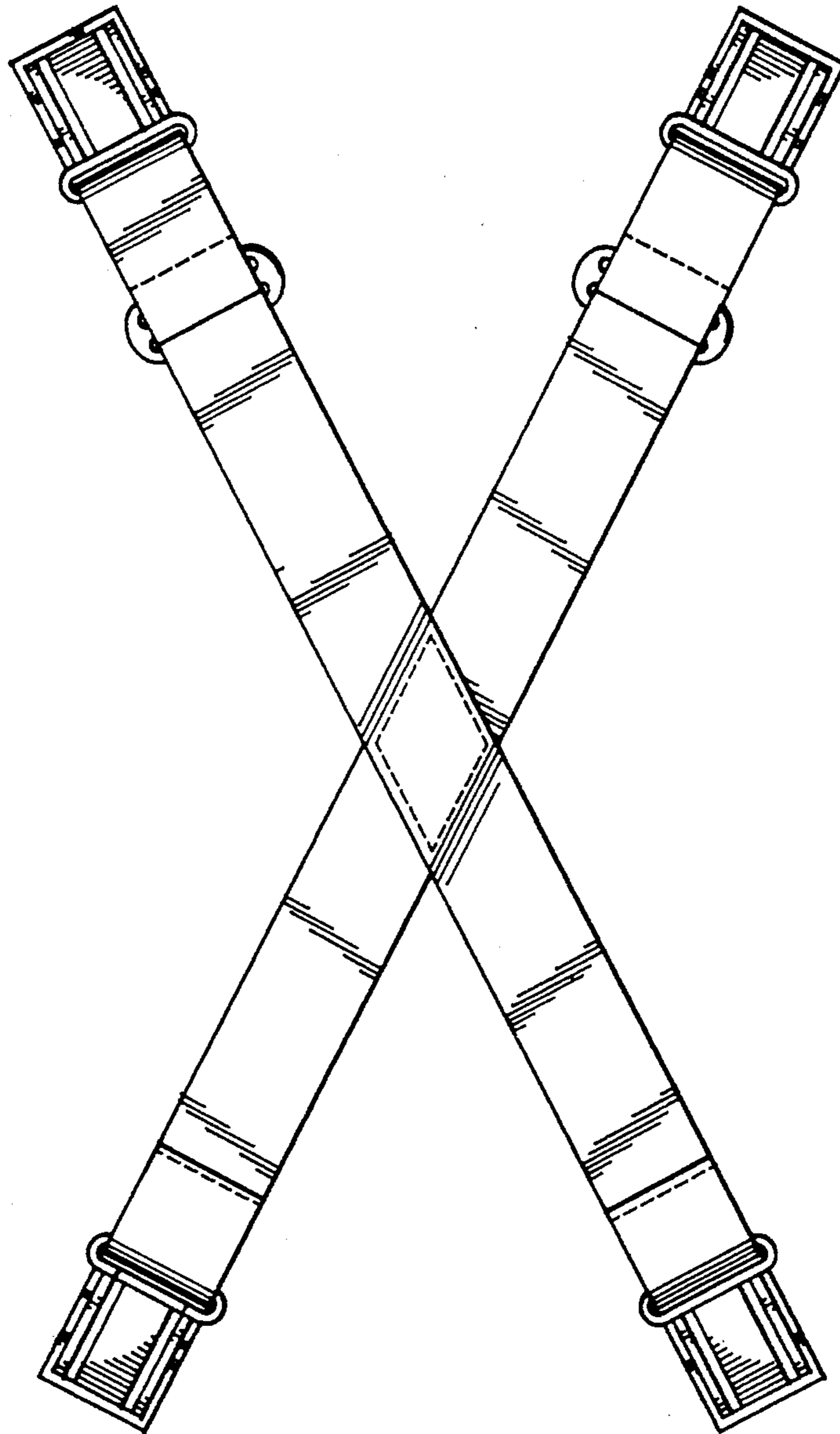


FIG. 4



FIG. 5