



US00D335197S

United States Patent [19]

[11] Patent Number: **Des. 335,197**

Strickland

[45] Date of Patent: **** Apr. 27, 1993**

[54] PET WATERING DISH

[76] Inventor: **George B. Strickland**, P.O. Box 41406, Fayetteville, N.C. 28314

[**] Term: **14 Years**

[21] Appl. No.: **784,017**

[22] Filed: **Oct. 29, 1991**

[52] U.S. Cl. **D30/132**

[58] Field of Search **D30/121-123, D30/129-133, 119-120; 119/61, 51.5, 51.11, 51.12, 52.4, 72, 73, 77, 158; D7/550, 553, 555-557, 616, 541**

[56] References Cited

U.S. PATENT DOCUMENTS

D. 251,392	3/1979	Futers et al.	D30/122
D. 278,371	4/1985	Strickland	D30/132
D. 289,808	5/1987	Gardner	D30/122
D. 315,037	2/1991	Clark	D30/122
D. 316,382	4/1991	Lorenzana et al.	D30/129
4,134,365	1/1979	Futers et al.	119/77
4,192,256	3/1980	Clugston	119/51.5
4,573,434	3/1986	Gardner	119/77
4,840,143	6/1989	Simon	119/72
4,932,361	6/1990	Deutsch et al.	119/51.5

FOREIGN PATENT DOCUMENTS

2227819 11/1974 France 119/77
2241633 9/1991 United Kingdom 119/77

OTHER PUBLICATIONS

Starcrest of California Advertisement for Automatic Pet Feeder/Waterer; item No. 7-6446-4.

Primary Examiner—A. Hugo Word
Assistant Examiner—Cathy Anne MacCormac
Attorney, Agent, or Firm—Dickinson, Wright, Moon, Van Dusen & Freeman

[57] CLAIM

The ornamental design for a pet watering dish, as shown and described.

DESCRIPTION

FIG. 1 is a perspective of a pet watering dish showing my new design and showing my new design and showing a water supply bottle in phantom lines; FIG. 2 is a top plan view thereof; FIG. 3 is a left side elevational view thereof; FIG. 4 is a right side elevational view thereof; FIG. 5 is a front elevational view thereof; and, FIG. 6 is a rear elevational view thereof.

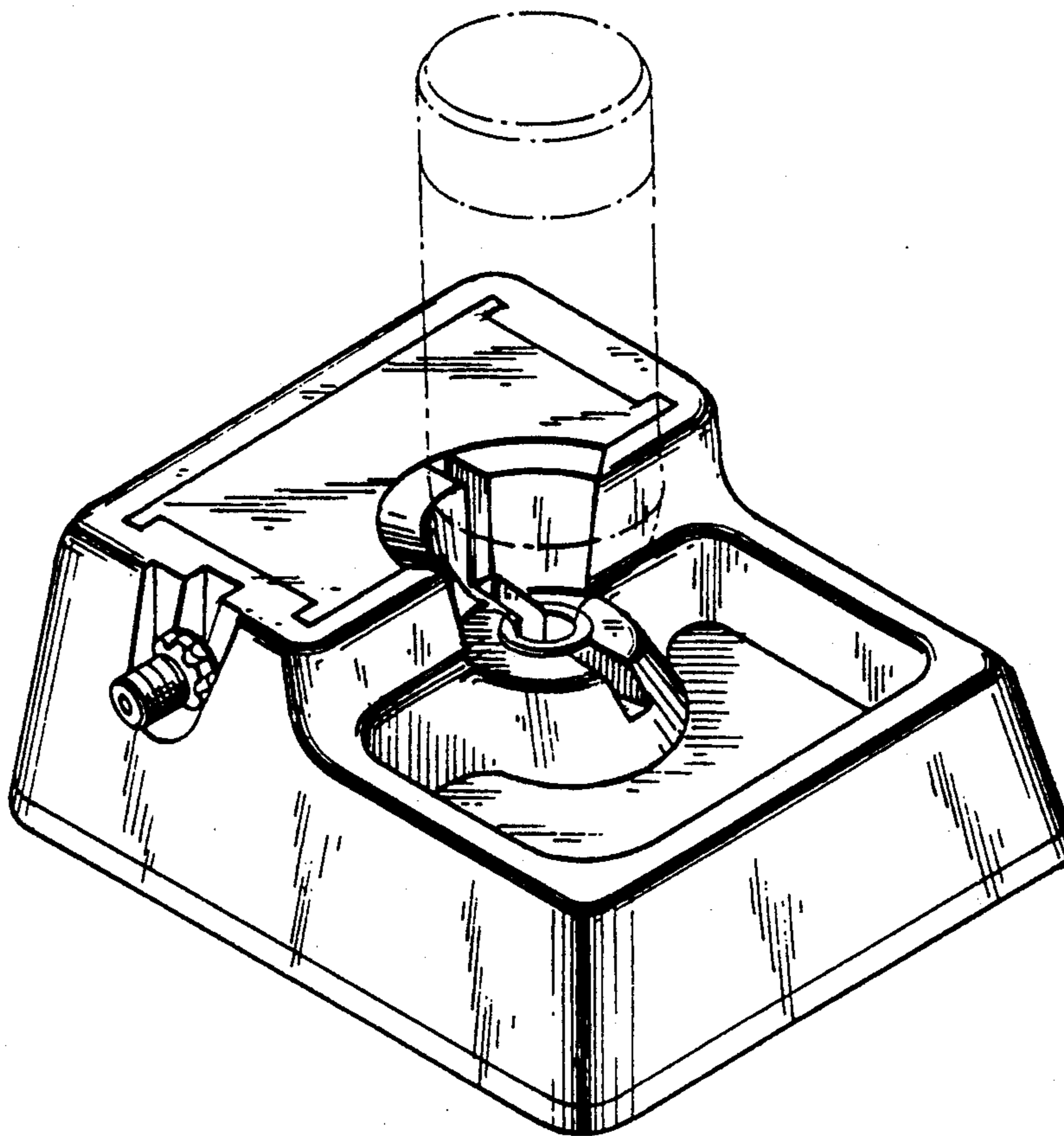


FIG. 1

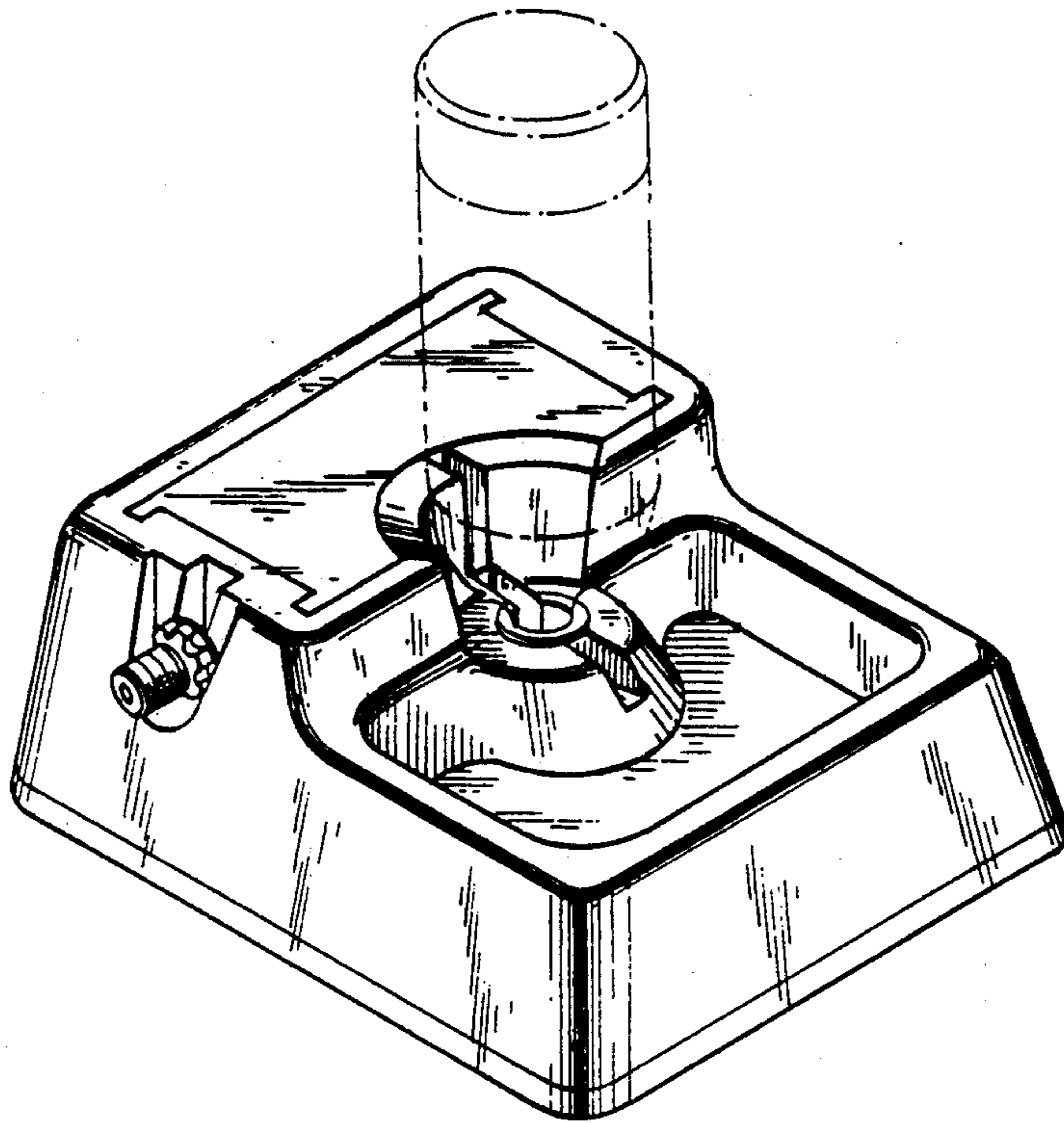


FIG. 2

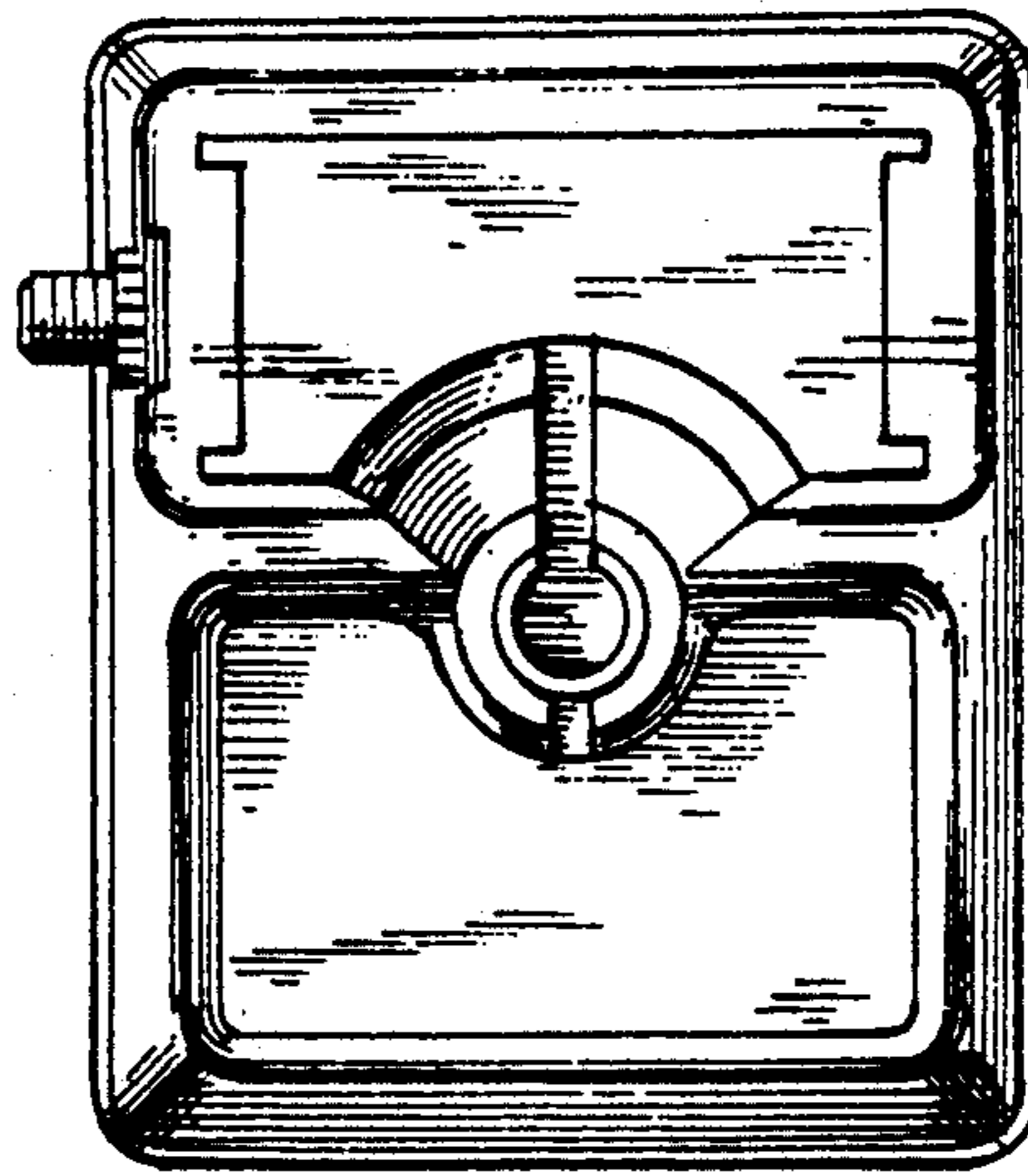


FIG. 3

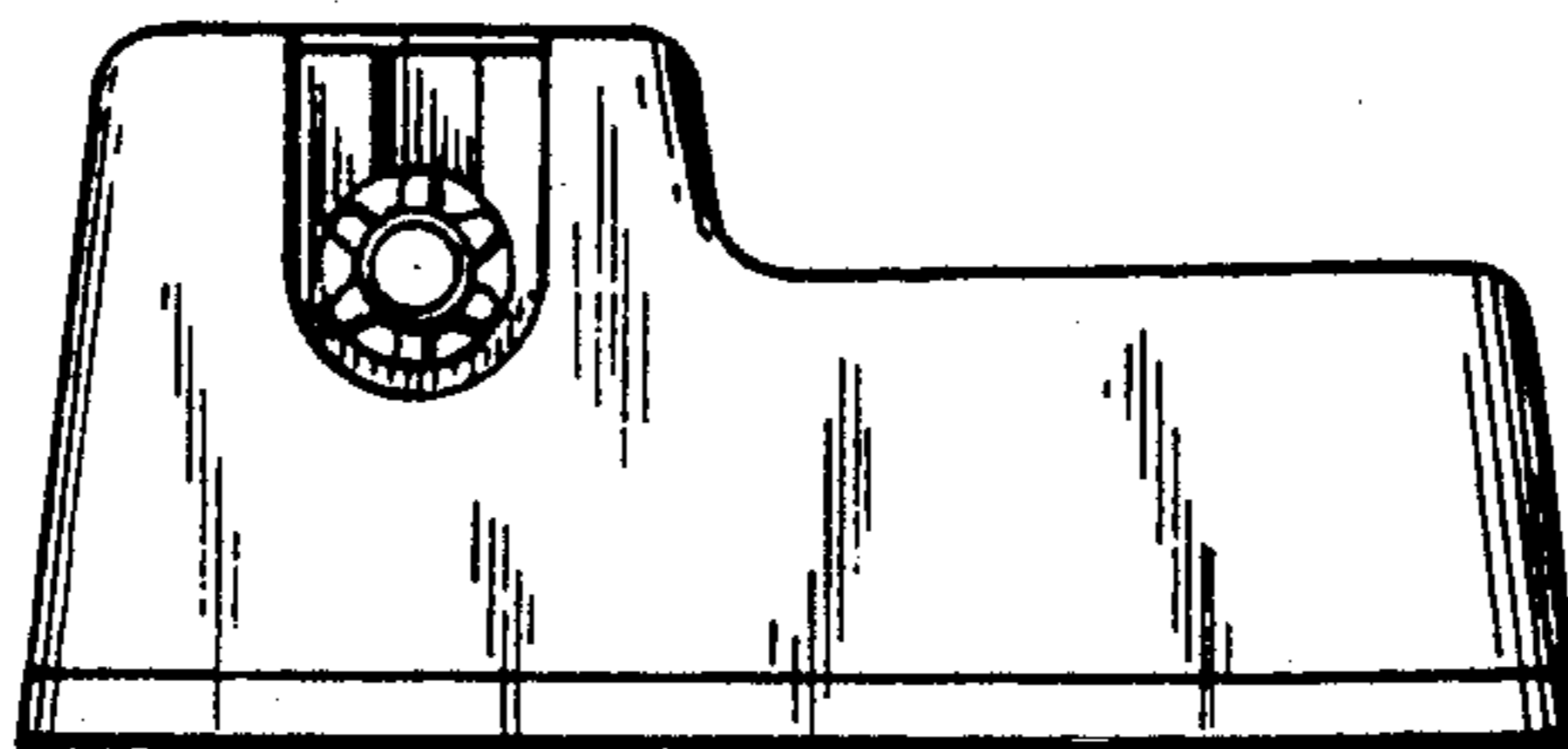


FIG. 4

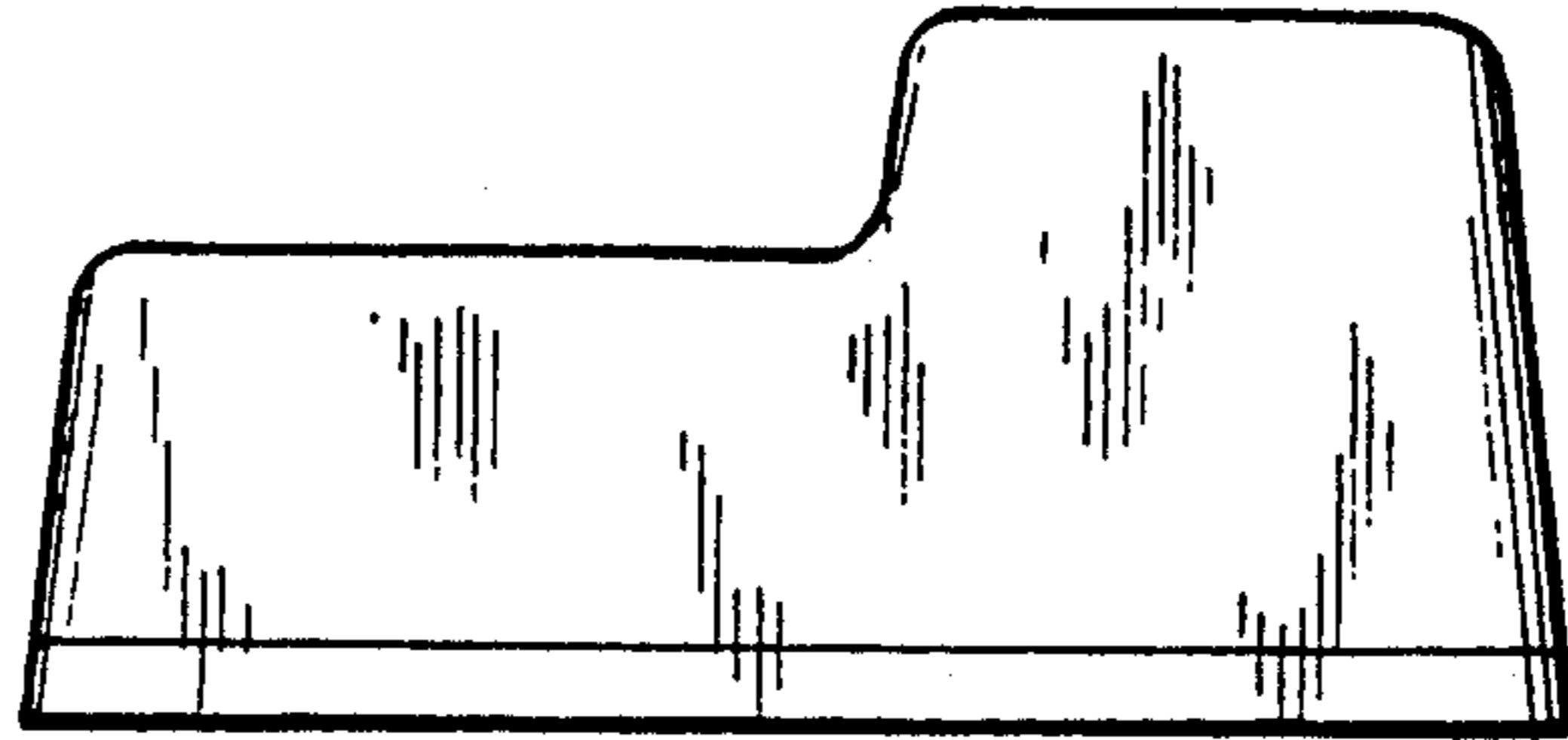


FIG. 5

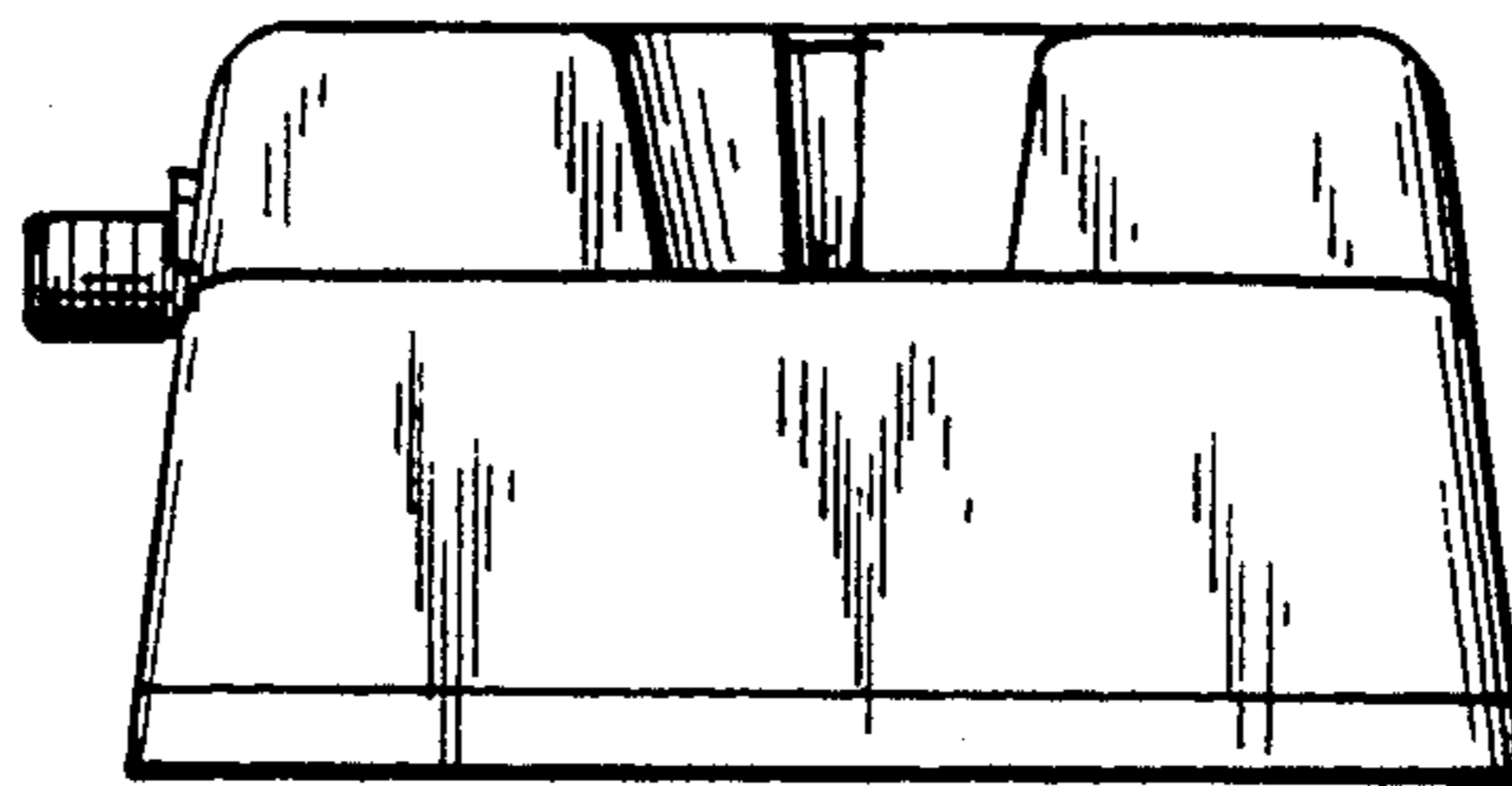


FIG. 6

