



US00D335193S

United States Patent [19]

[11] Patent Number: **Des. 335,193**

Shaanan et al.

[45] Date of Patent: **** Apr. 27, 1993**

[54] ADJUSTABLE LIGHT FIXTURE

[76] Inventors: **Gad Shaanan**, 49 Oakland Ave., Montreal; **Serge Provost**, 3530 Toupin Ville, St. Laurent, both of Canada

[**] Term: **14 Years**

[21] Appl. No.: **748,164**

[22] Filed: **Aug. 20, 1991**

[52] U.S. Cl. **D26/63**

[58] Field of Search **D26/61, 62, 63, 65, D26/138, 140; 362/249, 362, 431, 269, 275, 410, 413, 418, 419, 427**

[56] References Cited

U.S. PATENT DOCUMENTS

D. 234,710	4/1975	Beeren	D26/63
D. 254,694	4/1980	Drost et al.	D26/63
D. 315,030	2/1991	Jacobs	D26/63
4,281,370	7/1981	Masenheimer	362/419 X

OTHER PUBLICATIONS

Swivelier Adjustable Lighting Catalog, 1953, p. 28, Adjustable Socket & Plate.

Primary Examiner—Susan J. Lucas
Attorney, Agent, or Firm—Bereskin & Parr

[57] CLAIM

The ornamental design for an adjustable light fixture, as shown and described.

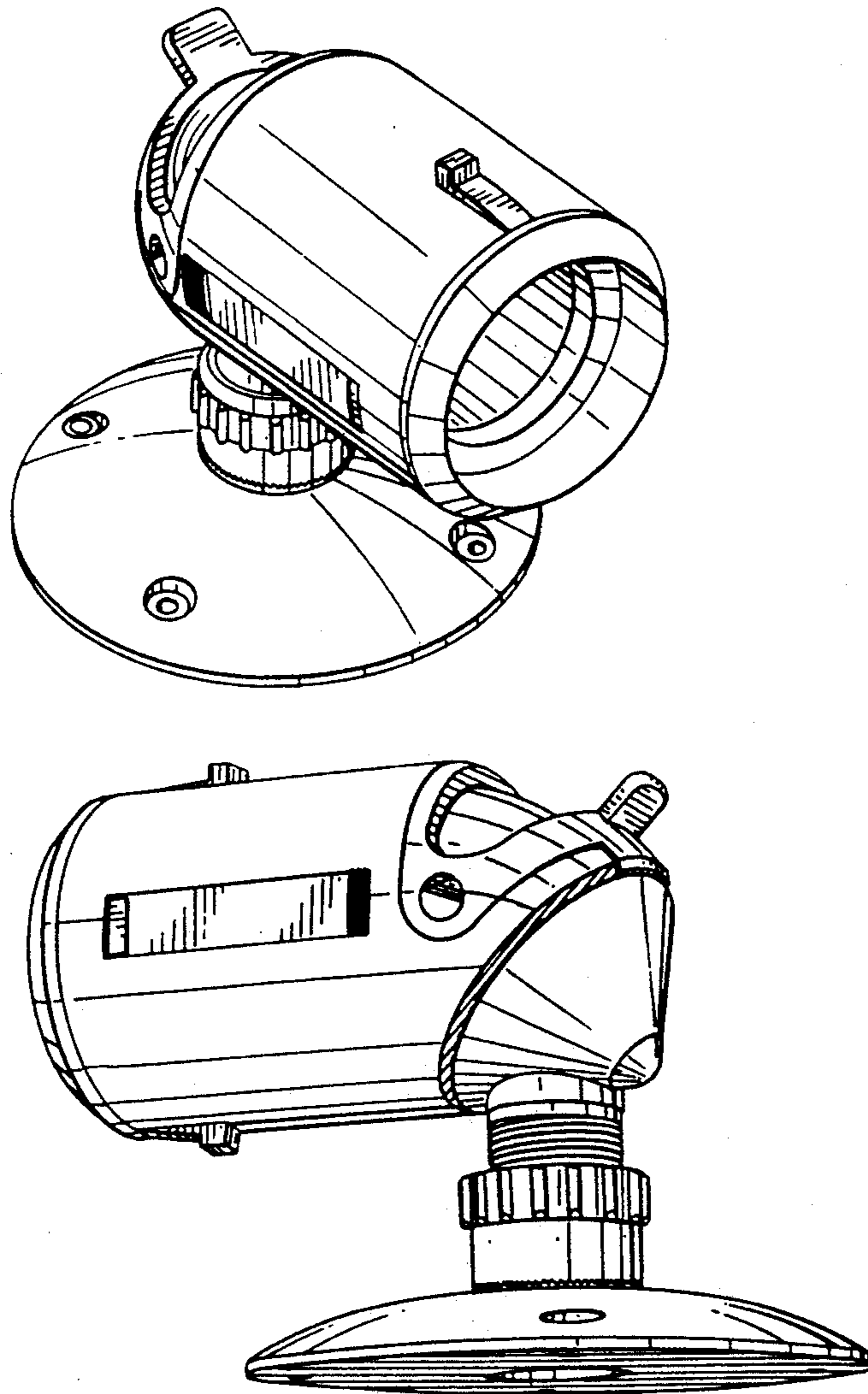
DESCRIPTION

FIG. 1 is a perspective view from above and from one side and the front end of an adjustable light fixture in one position according to our new design;

FIG. 2 is a perspective view from the opposite side to that as shown in FIG. 1;

FIG. 3 is a side view of an adjustable light fixture, in a second position, according to our new design; and,

FIG. 4 is a side view opposite to that as shown in FIG. 3.



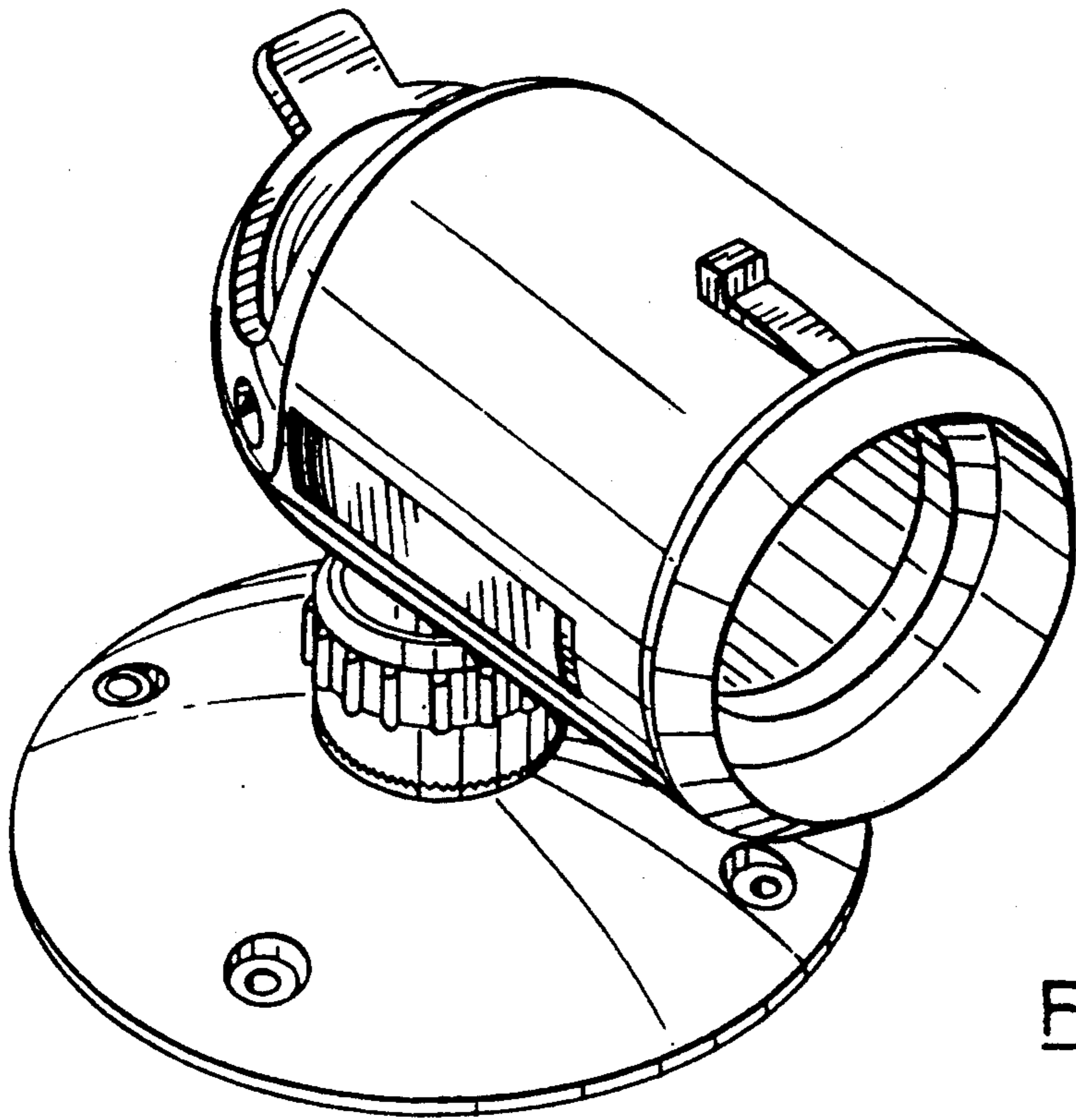


FIG. 1

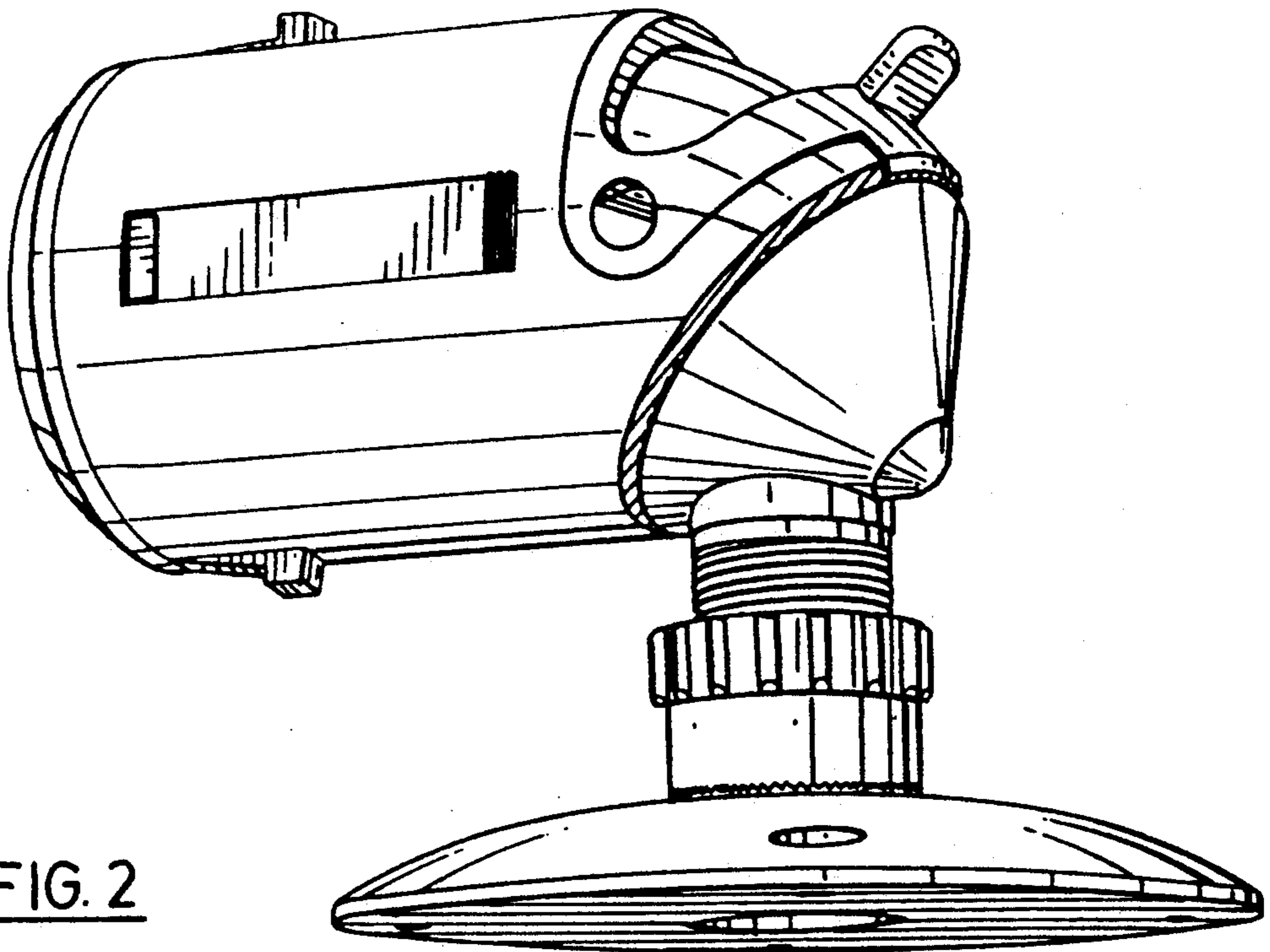


FIG. 2

