



US00D335187S

United States Patent [19]

[11] Patent Number: **Des. 335,187**

Stege

[45] Date of Patent: **** Apr. 27, 1993**

[54] **MEDICATION DISPENSING NIPPLE**

5,029,701 7/1991 Roth et al. 206/232

[76] Inventor: **Terri J. Stege, 226 E. Patton, Paxton, Ill. 60957**

Primary Examiner—Stella Reid
Attorney, Agent, or Firm—Roger M. Fitz-Gerald

[**] Term: **14 Years**

[57] **CLAIM**

[21] Appl. No.: **565,115**

The ornamental design for a medication dispensing nipple, as shown and described.

[22] Filed: **Aug. 10, 1990**

[52] U.S. Cl. **D24/196; D24/194**

DESCRIPTION

[58] Field of Search **D24/194, 193, 196; 215/11.1; 606/236, 235, 234, 77; 604/77; 206/232**

FIG. 1 is a front elevational view of a medication dispensing nipple showing my new design; FIG. 2 is a rear elevational view thereof; FIG. 3 is a left side elevational view thereof; FIG. 4 is a right side elevational view thereof; FIG. 5 is a top plan view thereof; FIG. 6 is a bottom plan view thereof; and, FIG. 7 is a perspective view thereof.

[56] **References Cited**

U.S. PATENT DOCUMENTS

3,645,413 2/1972 Mitchell 215/11.1
4,934,542 6/1990 Clark, Jr. 215/11.1

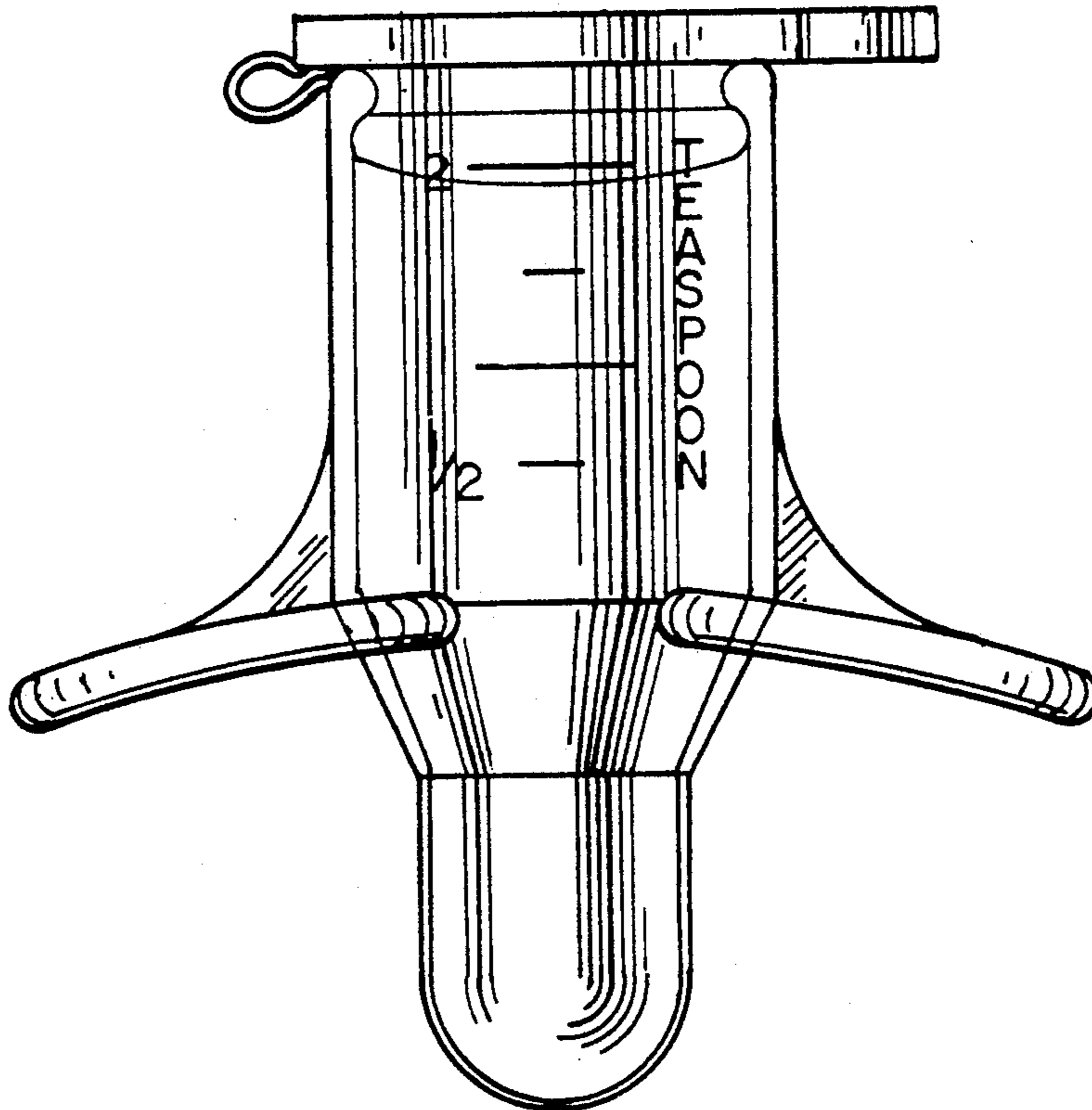


Fig. 1

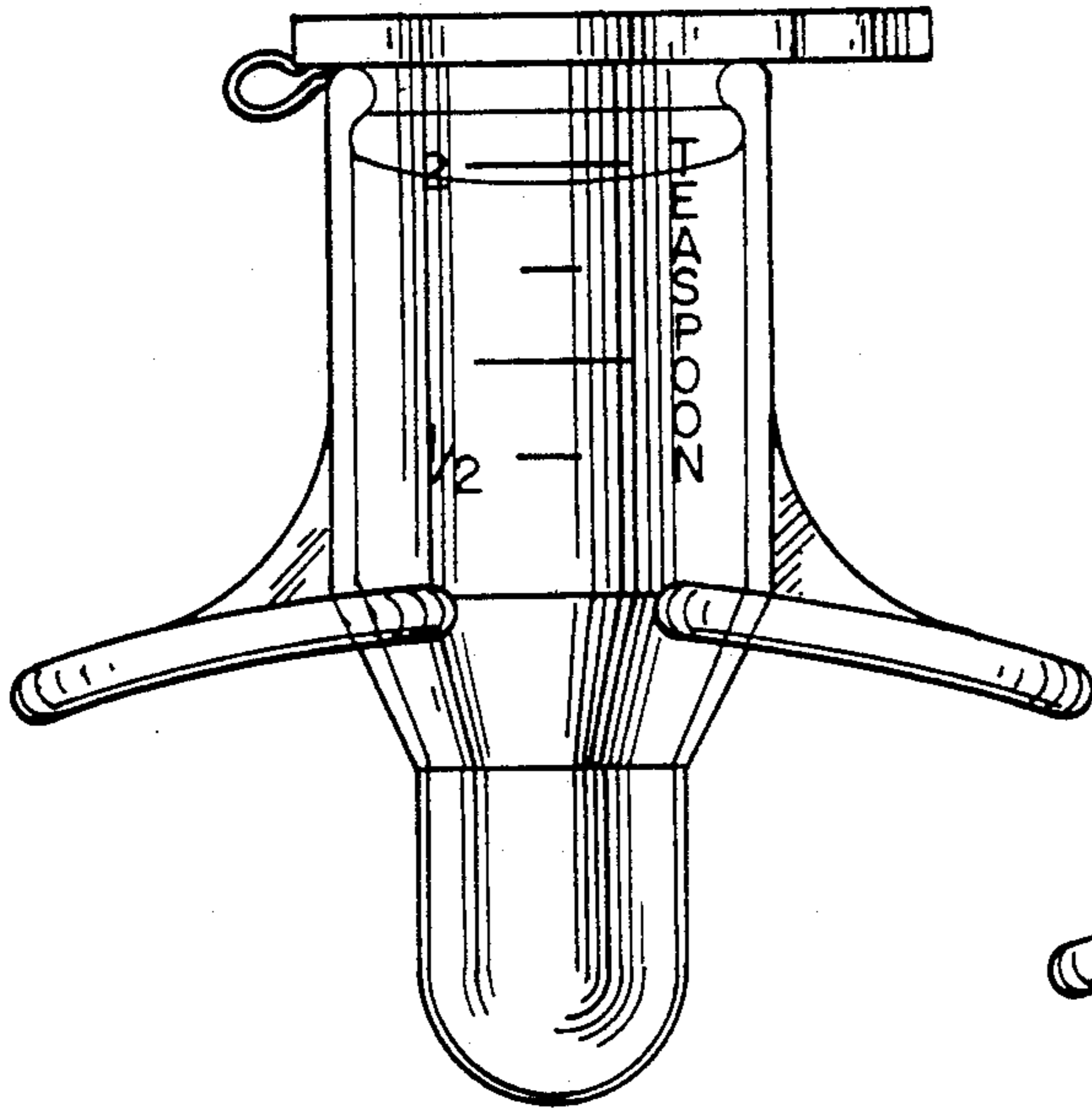


Fig. 2

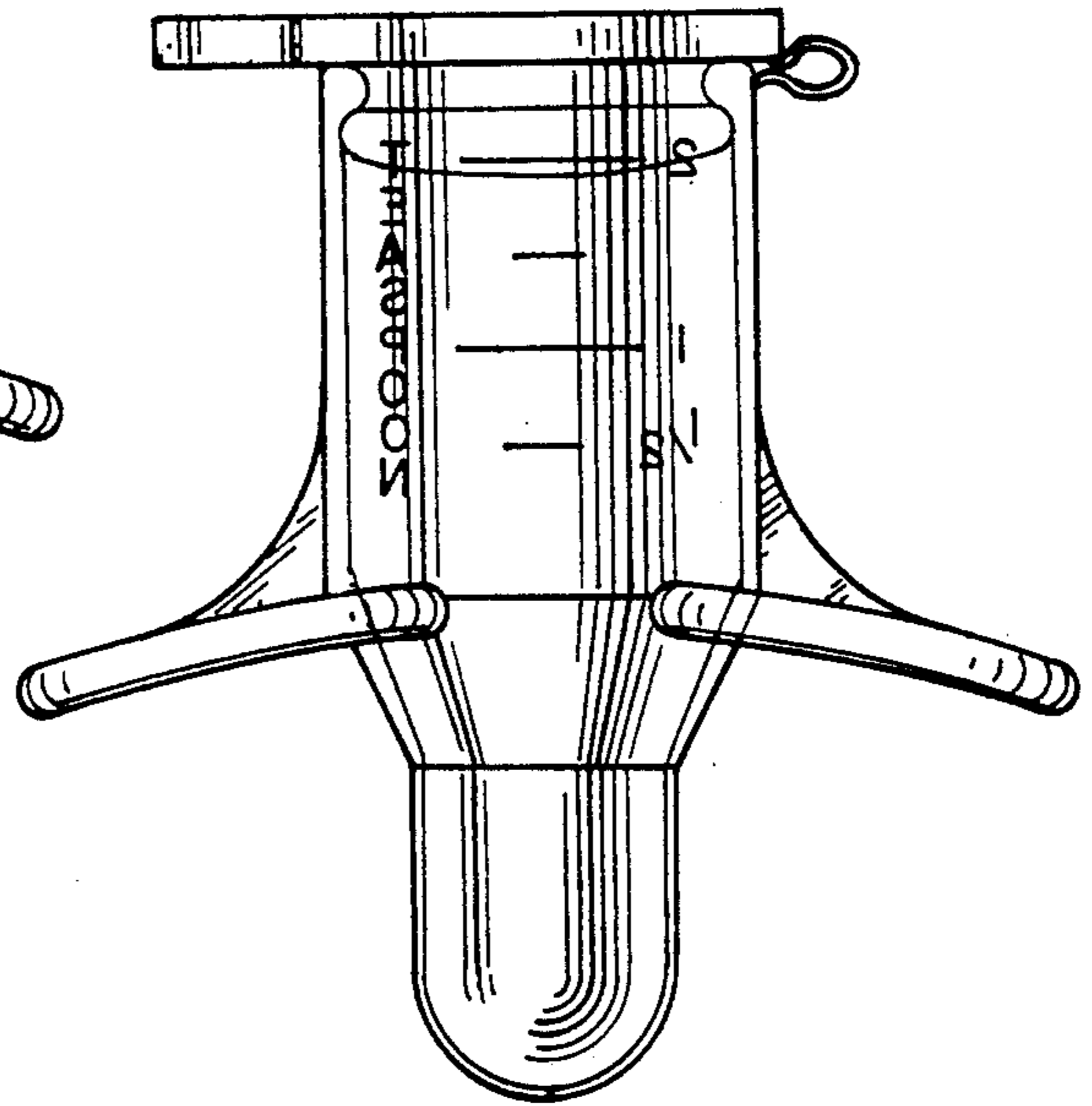


Fig. 3

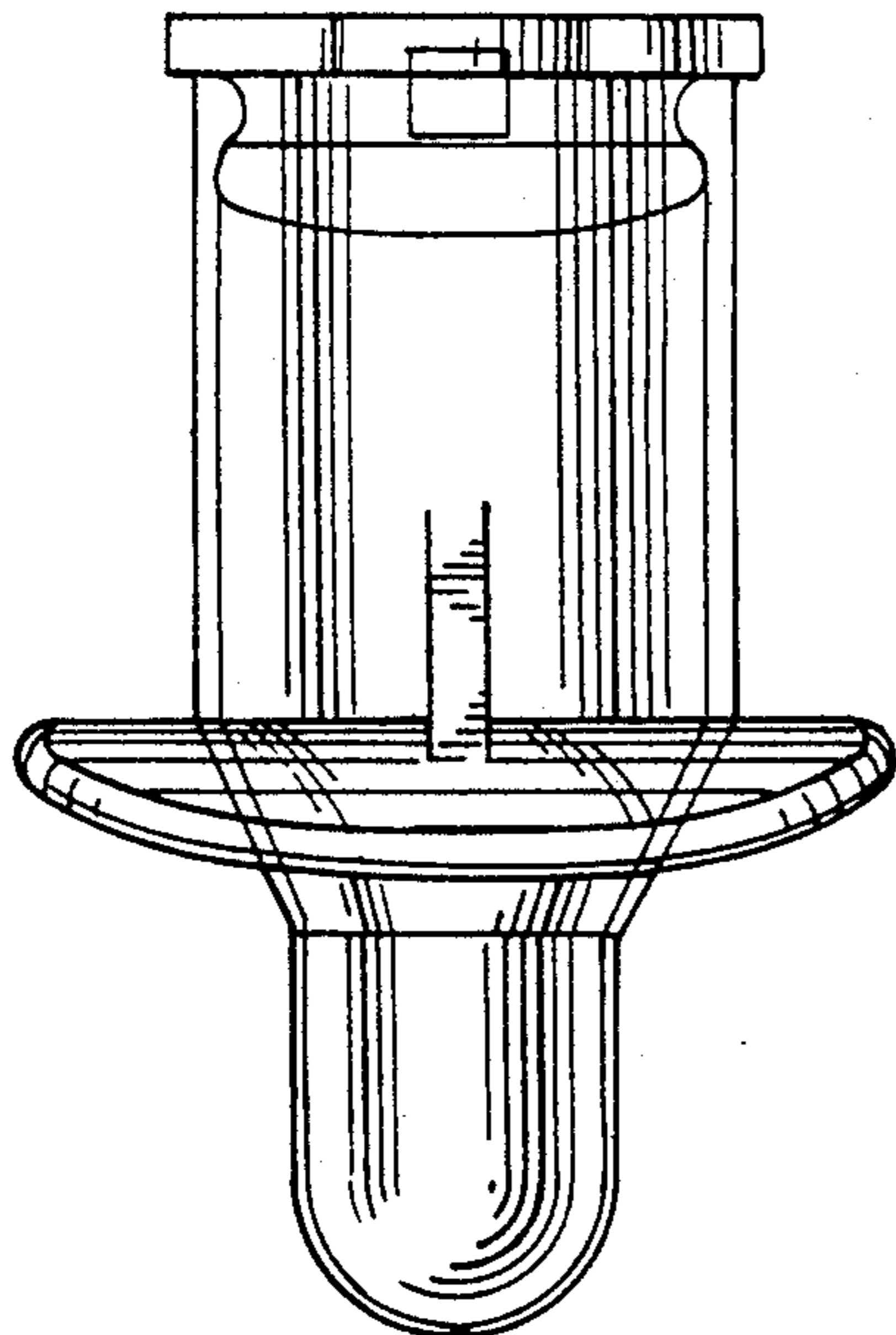


Fig. 4

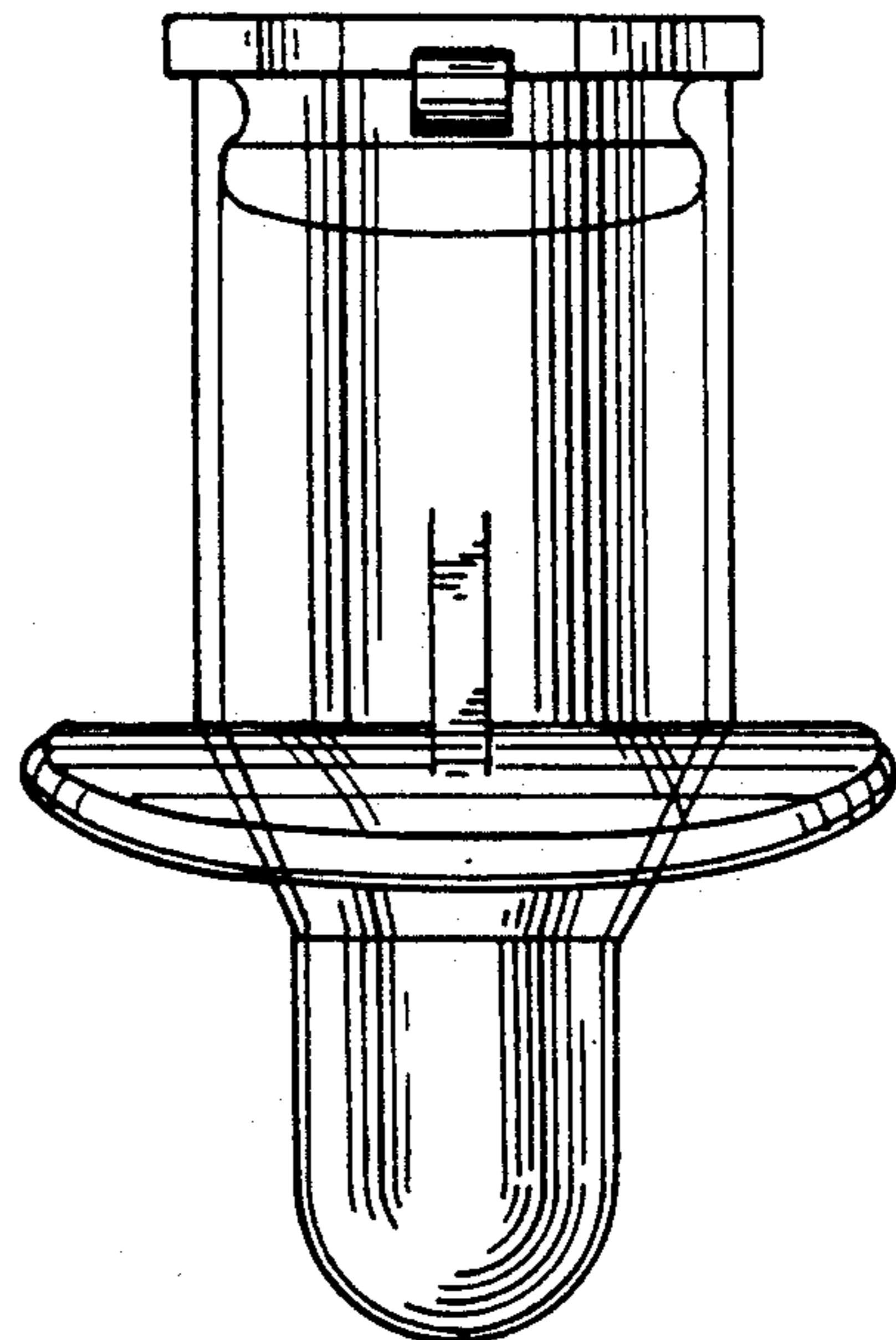


Fig. 5

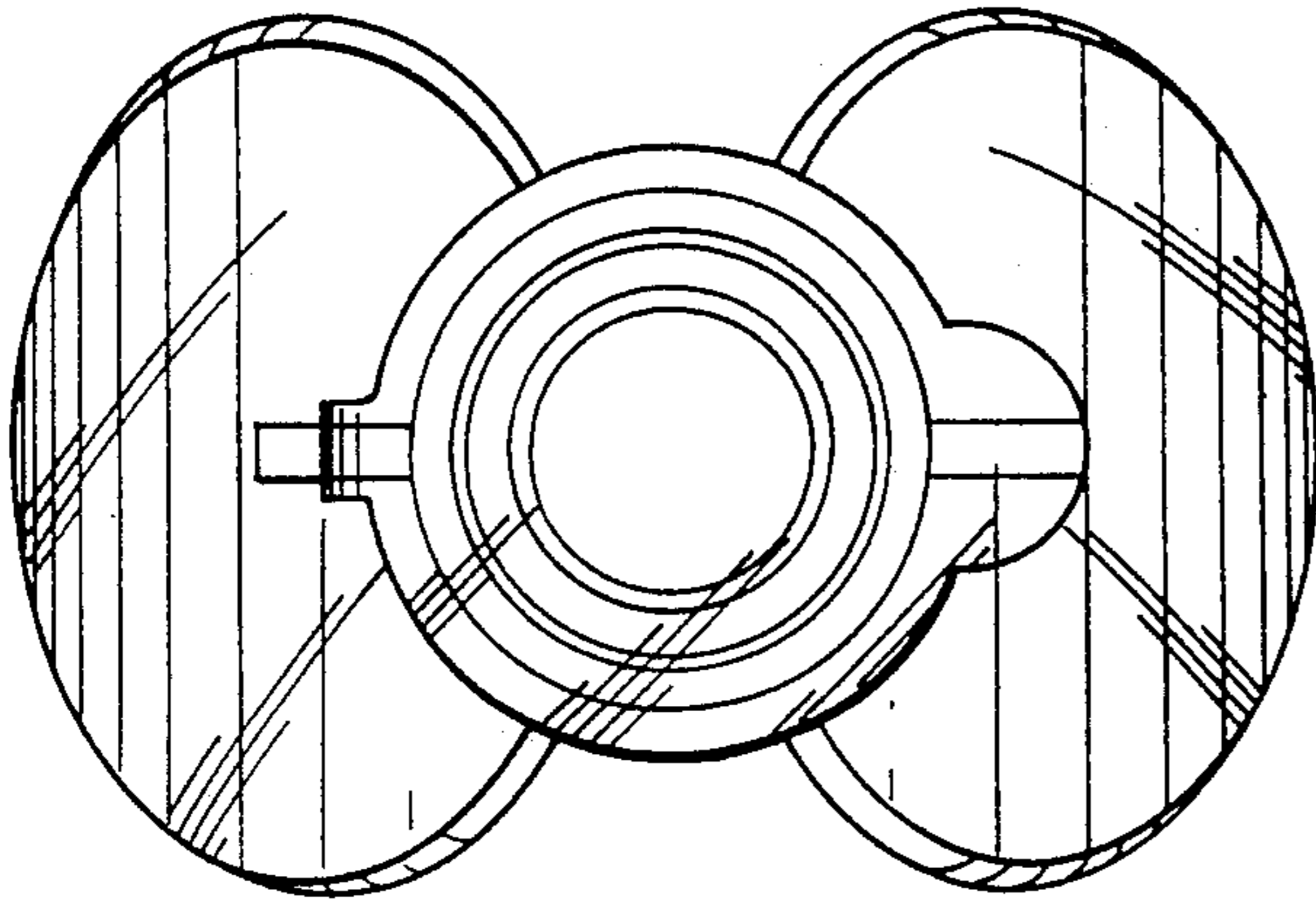


Fig. 6

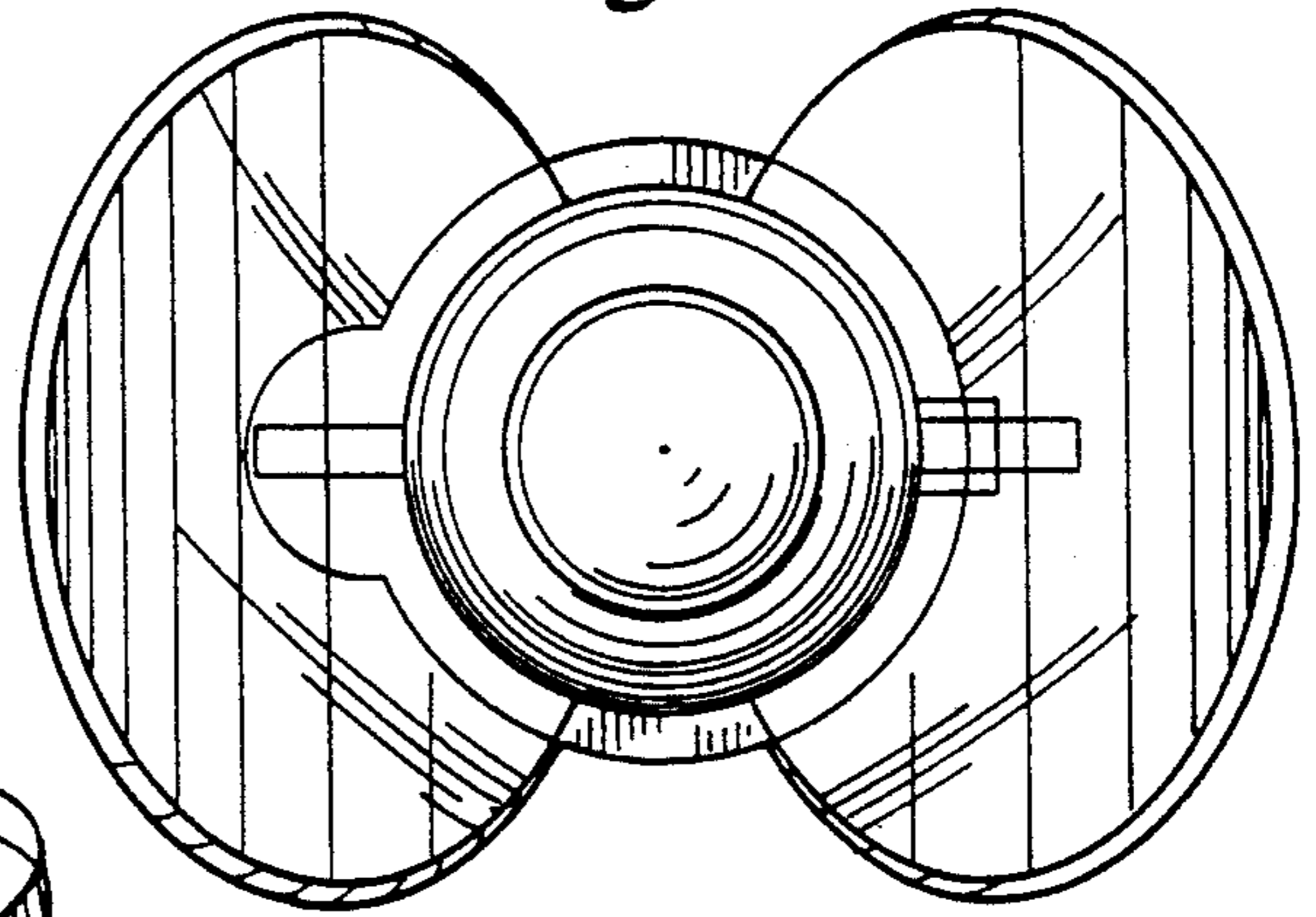


Fig. 7

