



US00D335184S

# United States Patent [19]

[11] Patent Number: **Des. 335,184**

**Mastropierro**

[45] Date of Patent: **\*\* Apr. 27, 1993**

[54] **COMBINED PACIFIER COVER AND RETAINER**

3,355,056	11/1967	Fisch	220/355
3,414,117	12/1968	Leeds	206/5.1 X
3,635,724	1/1972	Schaar	215/11.6 X
4,493,324	1/1985	Johnston	606/236

[76] Inventor: **Daniel Mastropierro, 73 Clifton Ter., Weehawken, N.J. 07087**

*Primary Examiner*—A. Hugo Word  
*Assistant Examiner*—Doris V. Coles  
*Attorney, Agent, or Firm*—Siegmar Silber

[\*] Notice: The portion of the term of this patent subsequent to Jan. 24, 2003 has been disclaimed.

[\*\*] Term: **14 Years**

[57] **CLAIM**

[21] Appl. No.: **95,254**

The ornamental design for a combined pacifier cover and retainer thereof.

[22] Filed: **Sep. 11, 1987**

**DESCRIPTION**

[52] U.S. Cl. .... **D24/194**

FIG. 1 is a perspective view of combined pacifier cover and retainer, showing my new design;  
FIG. 2 is a top plan view thereof;  
FIG. 3 is a bottom plan view thereof;  
FIG. 4 is a front elevational view thereof;  
FIG. 5 is a rear elevational view thereof;  
FIG. 6 is a left side elevational view, the right side being a mirror image thereof;  
FIG. 7 is a top plan view in the open position;  
FIG. 8 is a bottom plan view thereof;  
FIG. 9 is a front elevational view thereof;  
FIG. 10 is a rear elevational view thereof; and,  
FIG. 11 is a left side elevational view, the right side being a mirror image thereof.

[58] Field of Search ..... D3/30.1, 78; D9/349, D9/352, 353, 424, 341, 423, 428; D24/45, 46; 206/5.1; 215/11.6, 246; 220/355; 606/234, 236

[56] **References Cited**

**U.S. PATENT DOCUMENTS**

D. 179,617	1/1957	Tupper	D9/428
D. 243,366	2/1977	Lybe et al.	D24/45
D. 248,279	6/1978	Goldsmith et al.	D9/352
D. 275,993	10/1984	Ryan et al.	D24/46 X
D. 285,656	9/1986	Champion	D9/352
D. 287,336	12/1986	Roehrig	D9/424
D. 299,534	1/1989	Mastropierro	D24/45

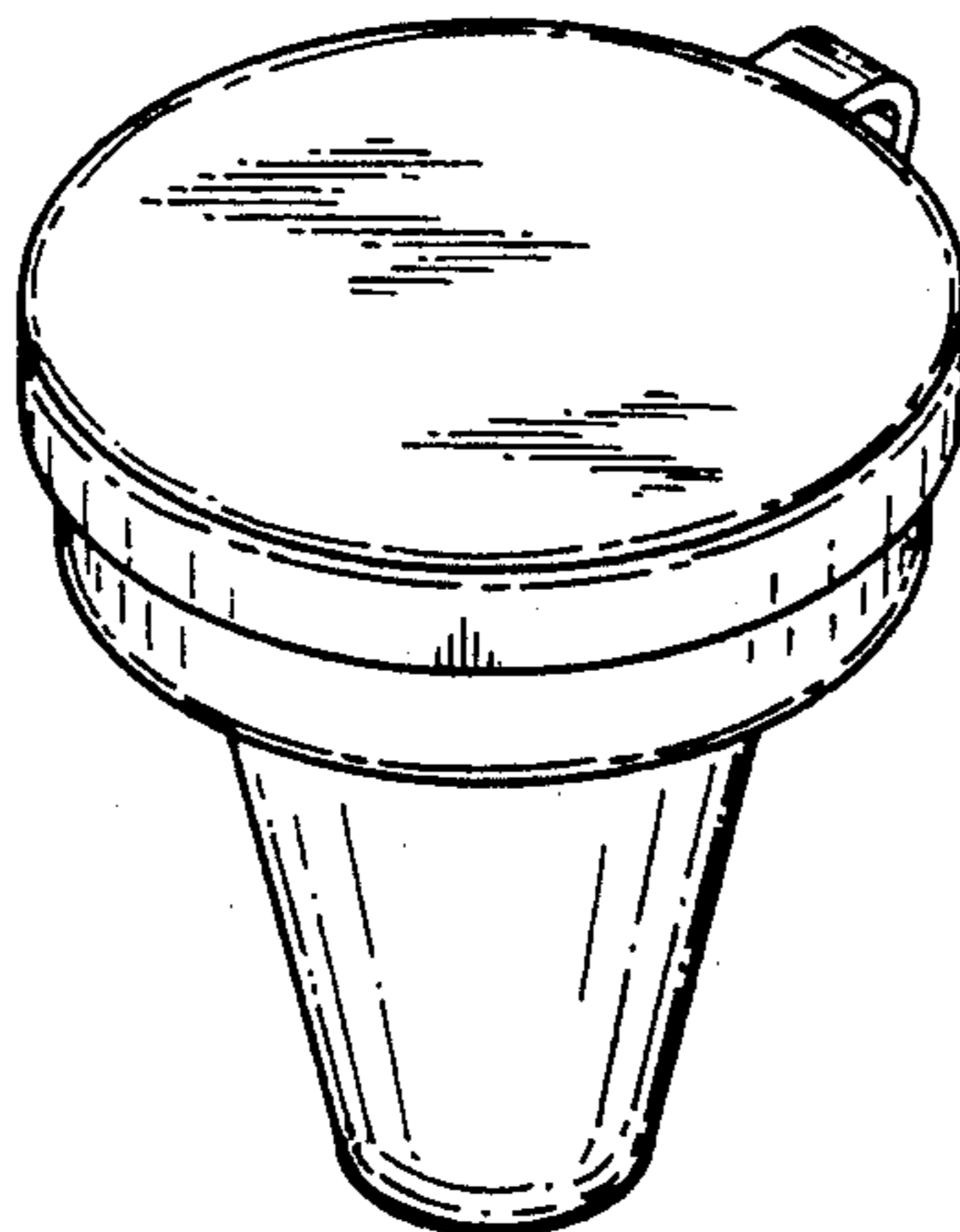


FIG. 1

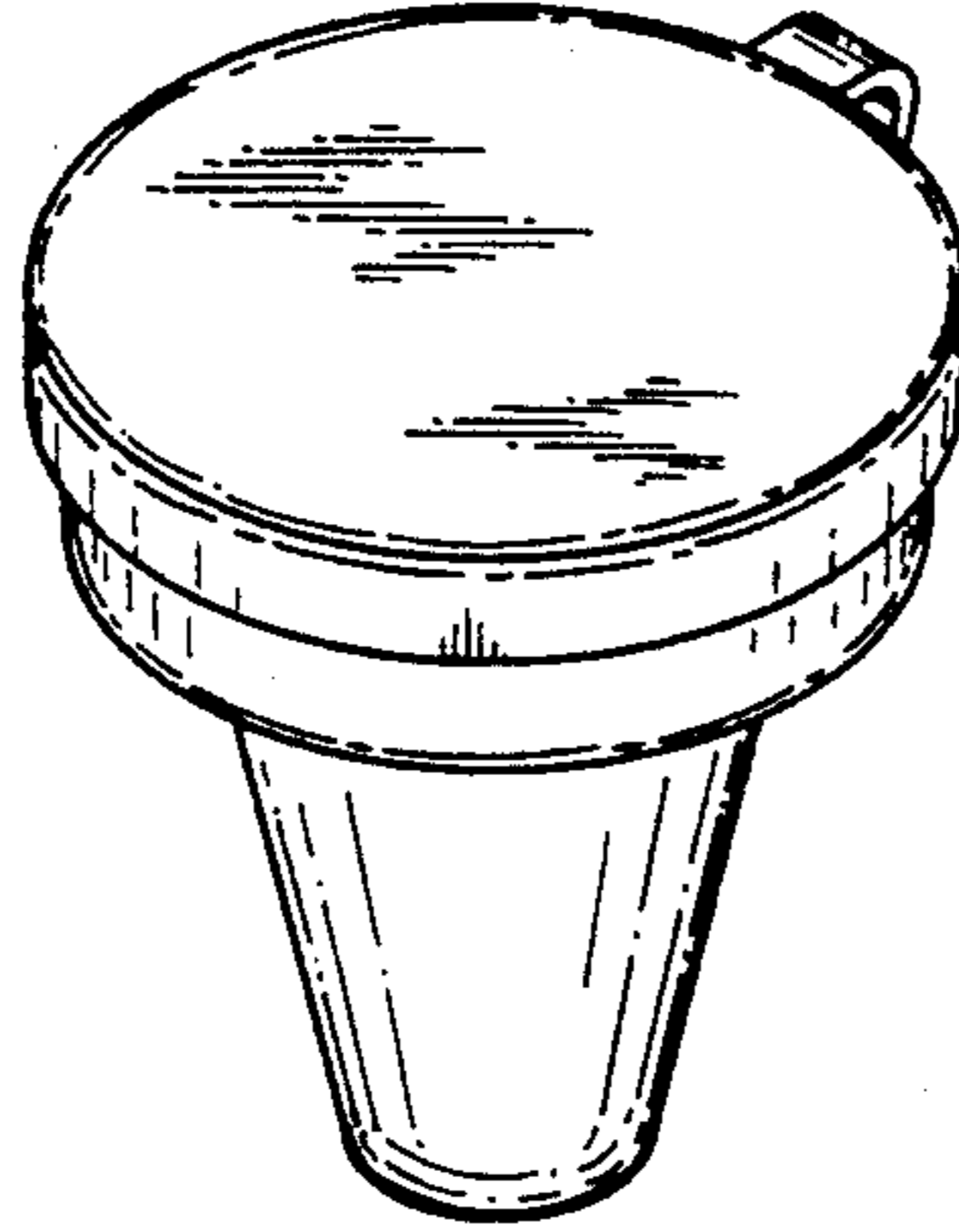


FIG. 2

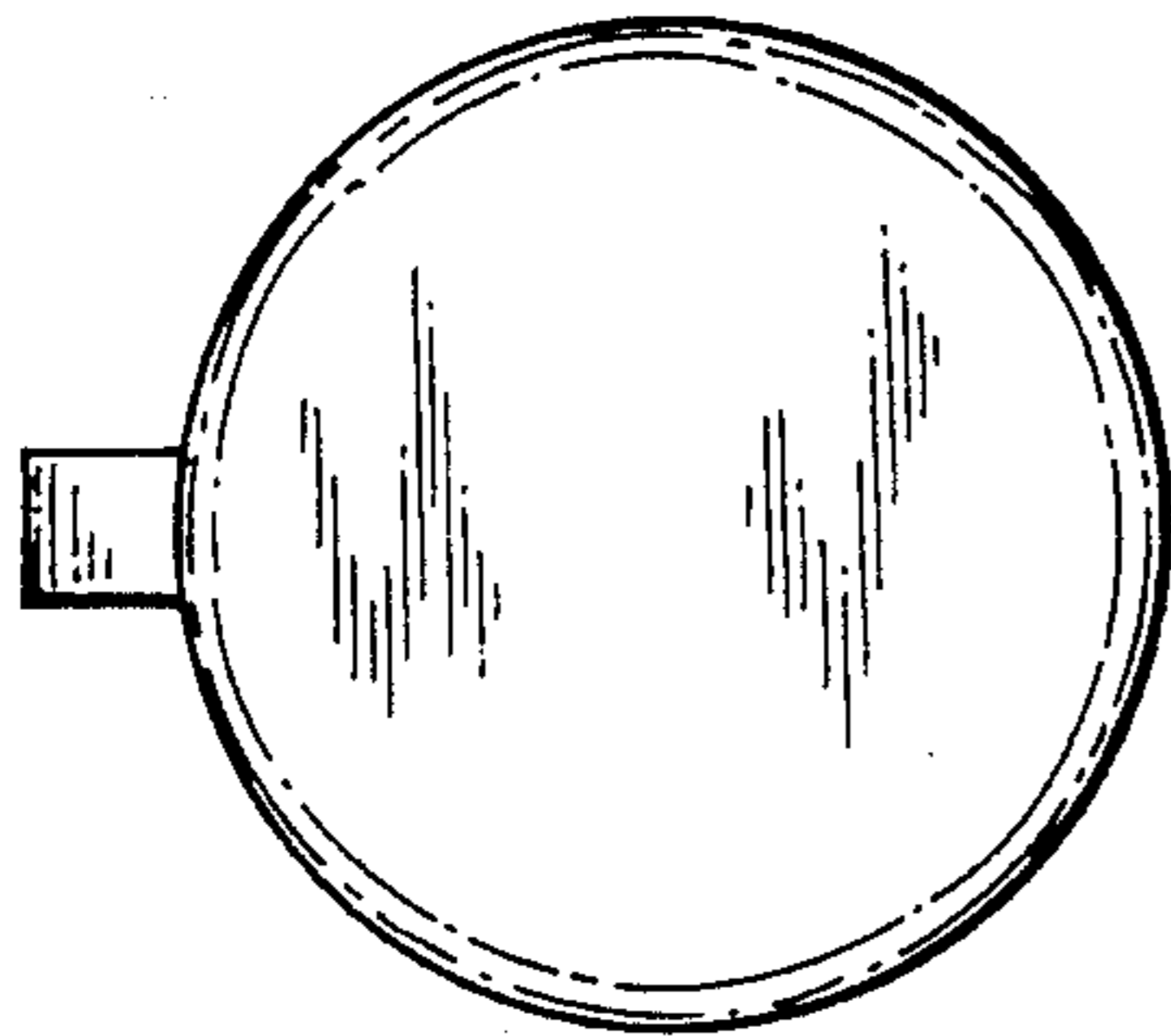


FIG. 3

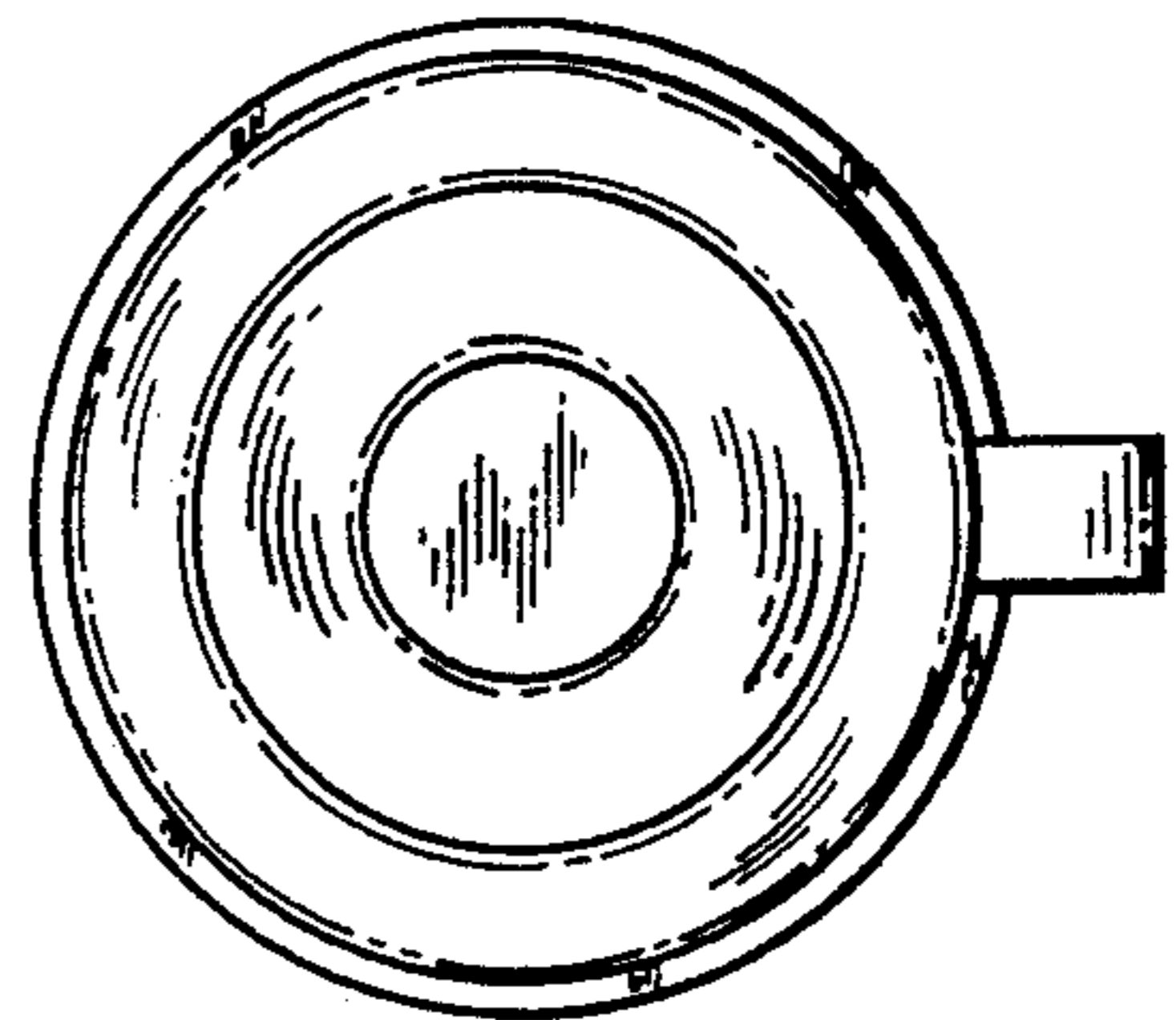


FIG. 4

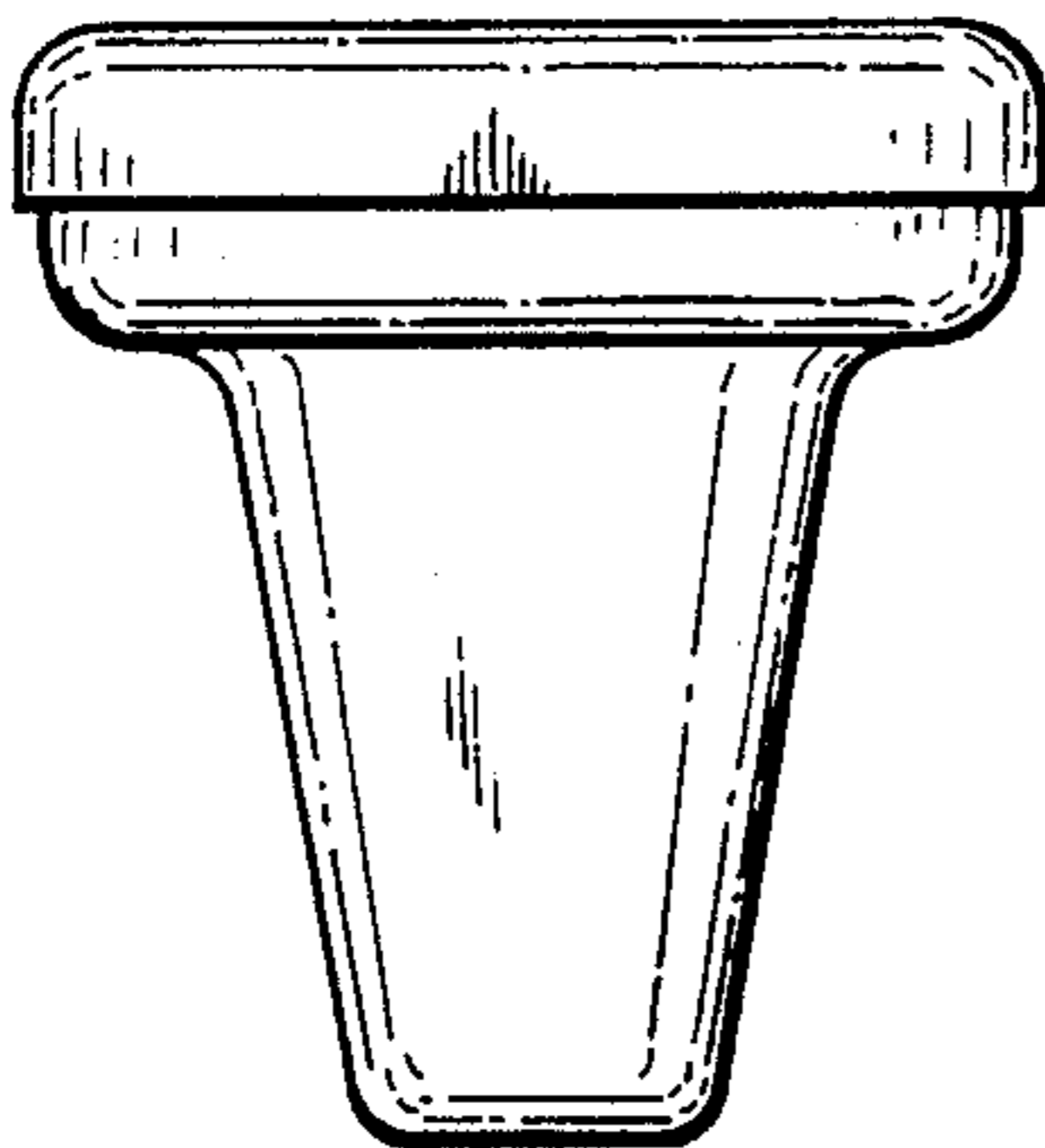


FIG. 5

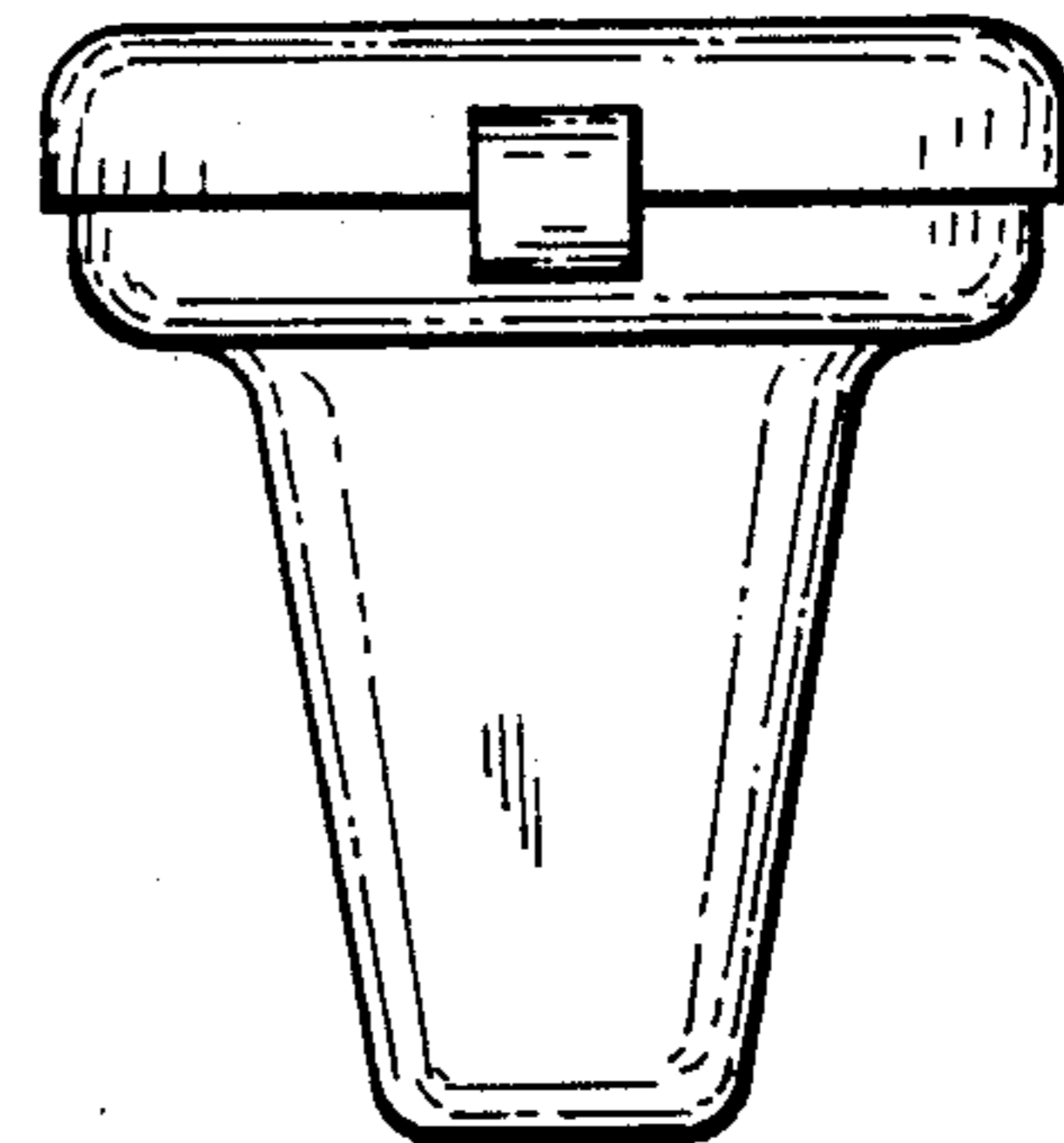


FIG. 6

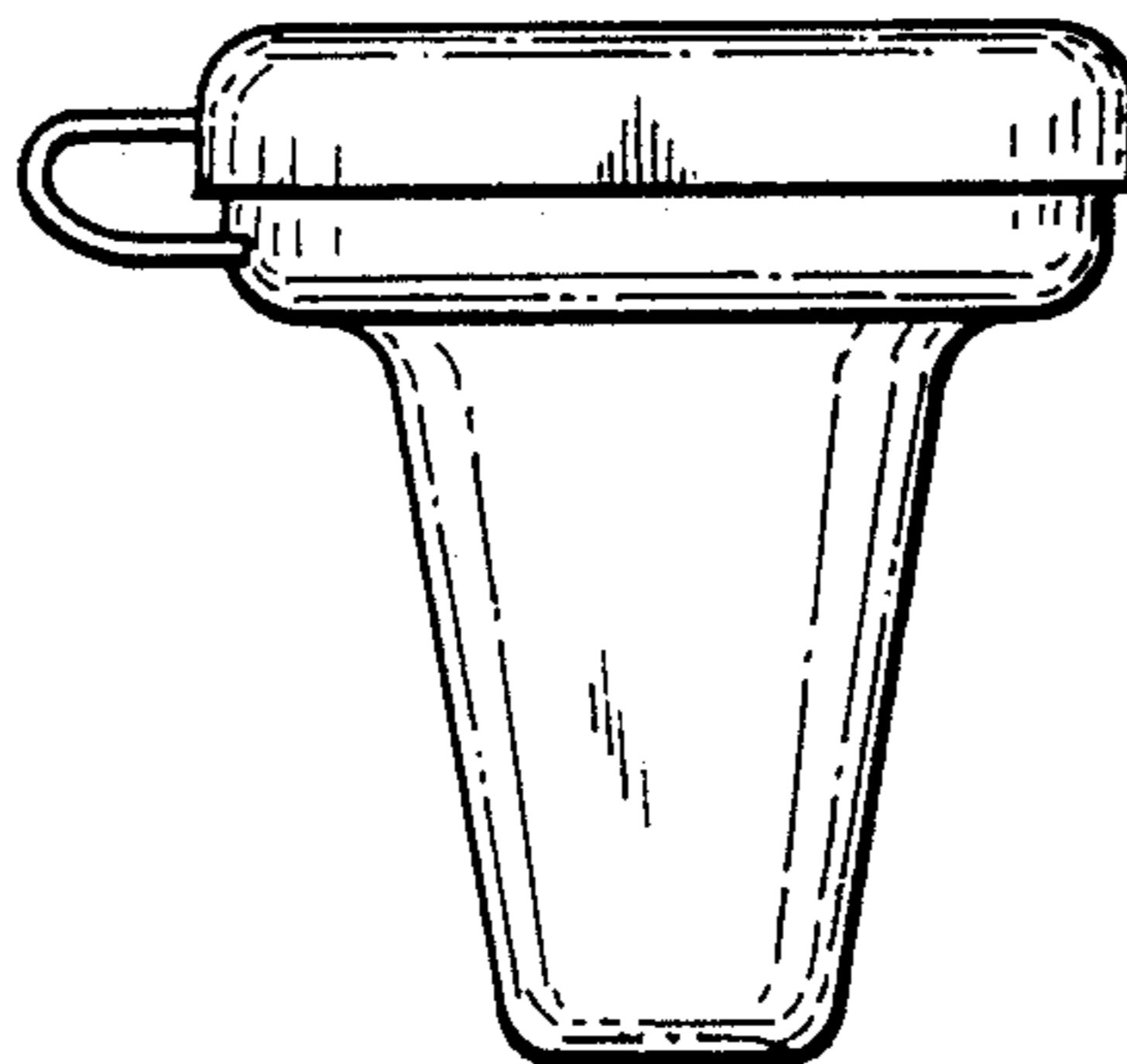


FIG. 7

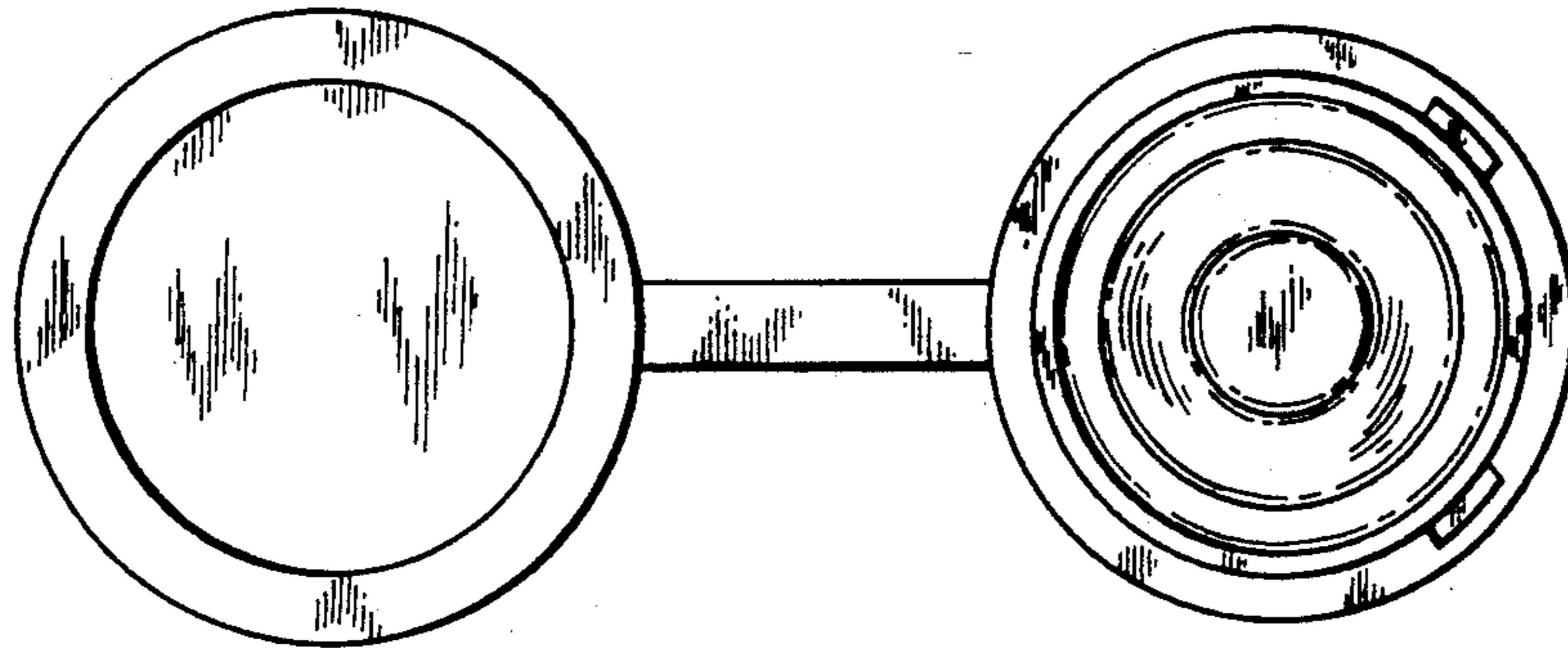


FIG. 8

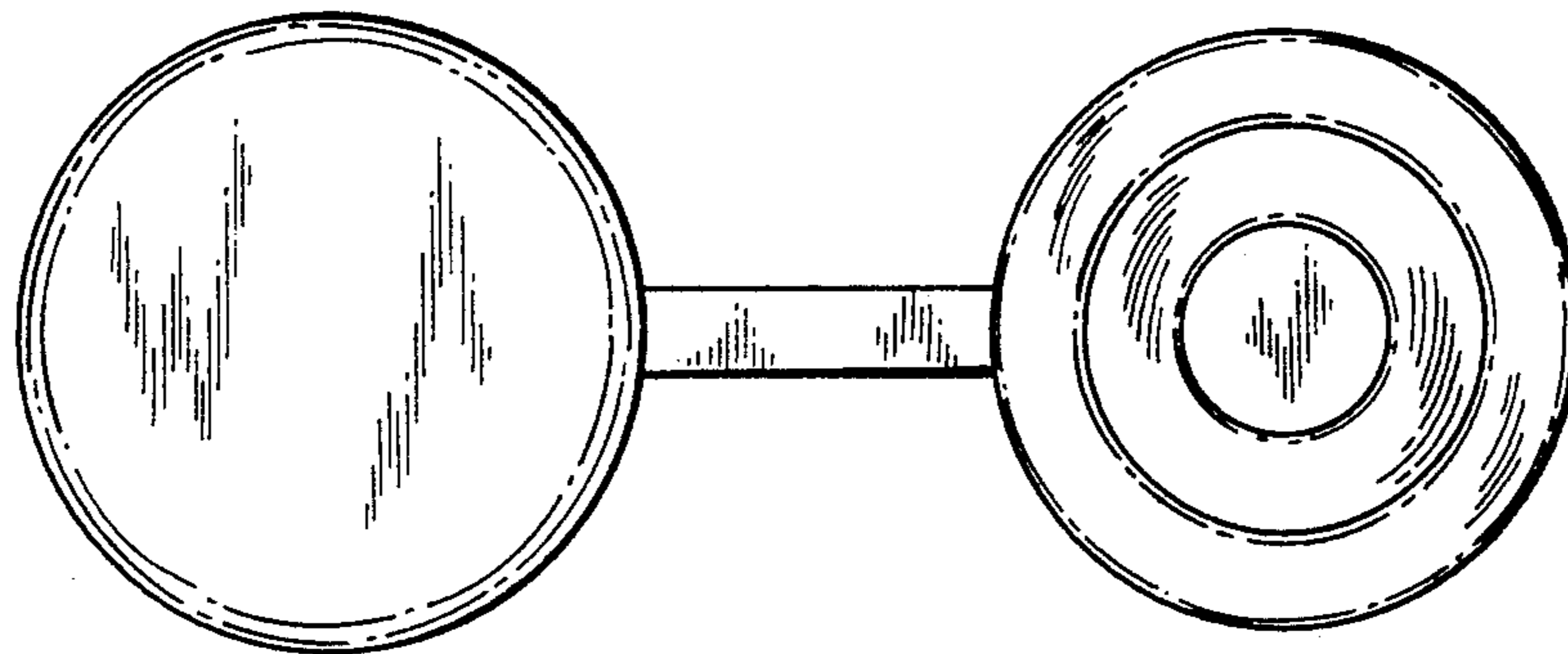


FIG. 9

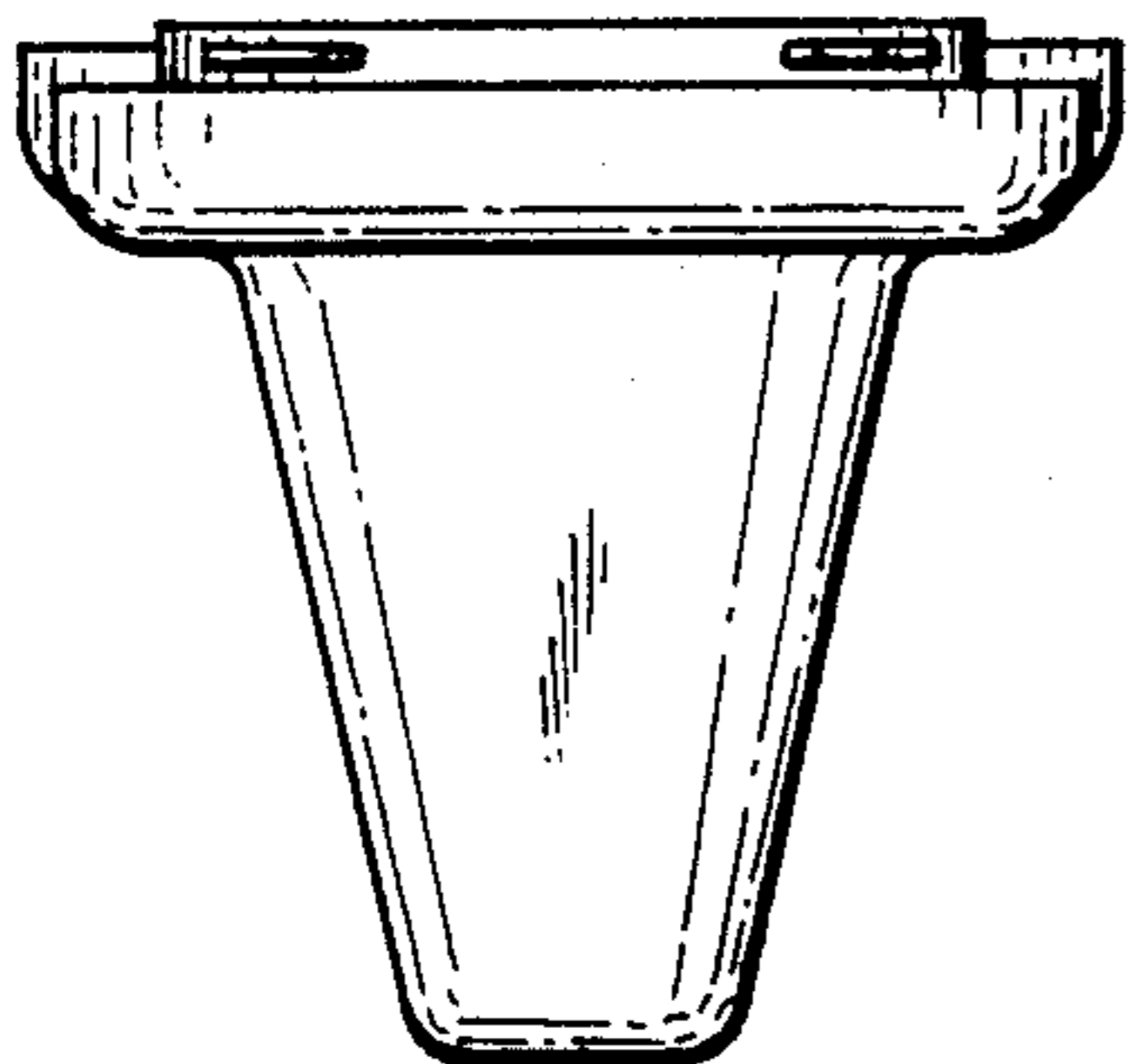


FIG. 10

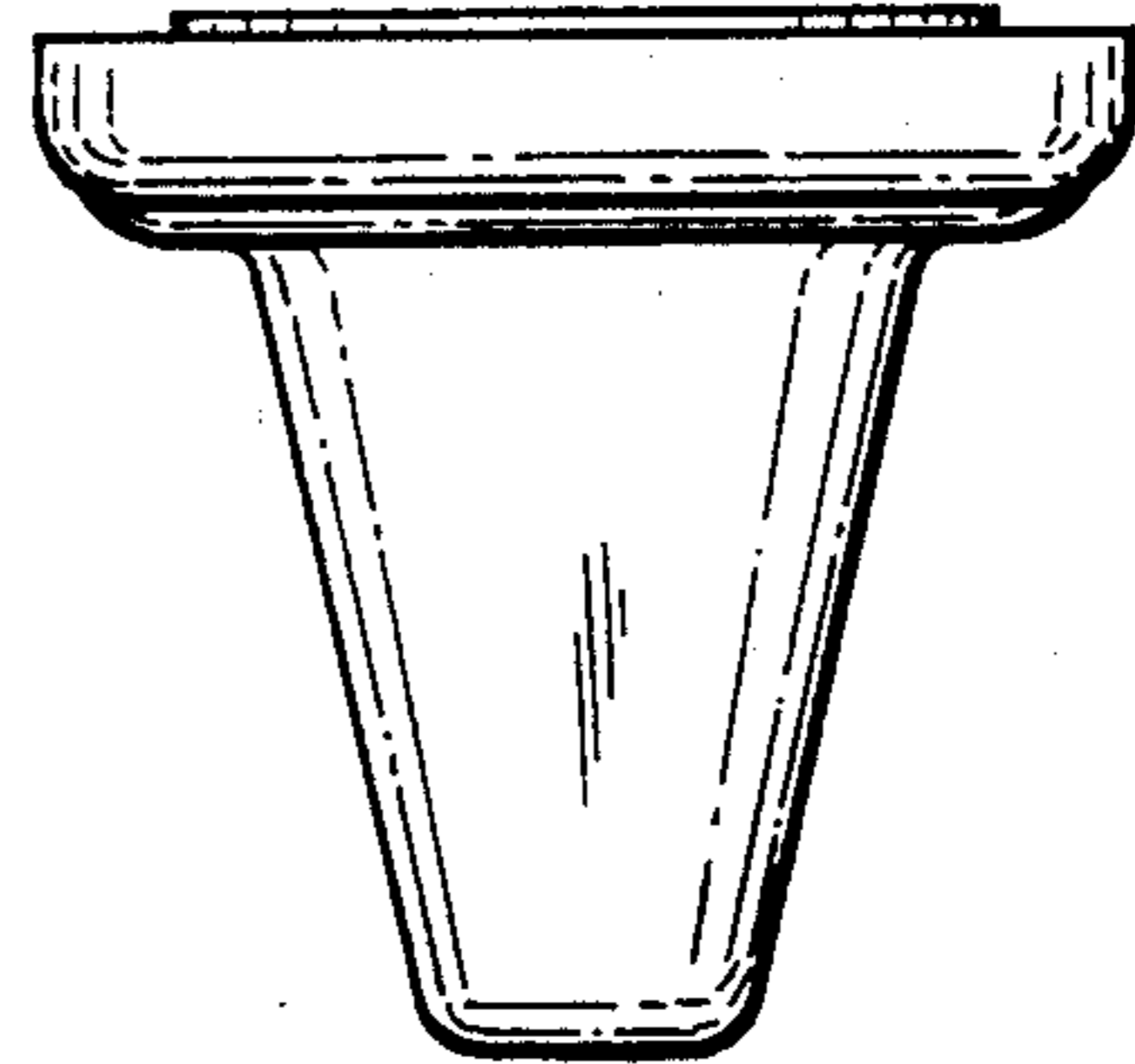


FIG. 11

