



US00D335177S

United States Patent [19]

[11] Patent Number: **Des. 335,177**

Jones et al.

[45] Date of Patent: **** Apr. 27, 1993**

[54] SPECIMEN CUP HOLDER WITH BREAKAWAY HANDLE

[76] Inventors: **Timothy B. Jones**, 200 15th St. - No. 134, Edmond, Okla. 73013; **Robert D. Jones**; **Lori D. Jones**, both of 1452 N. Washington, Ardmore, Okla. 73401

[**] Term: **14 Years**

[21] Appl. No.: **767,973**

[22] Filed: **Sep. 30, 1991**

[52] U.S. Cl. **D24/128; D7/620; D24/227**

[58] Field of Search **D24/121, 122, 123, 128, D24/227, 228; D1/123, 124; D7/620, 611; 126/82; 248/311.2, 315; 446/15, 16, 20, 21; 24/17 AP, 30.5 R, 30.5 P; 128/760, 761, 763**

[56] References Cited

U.S. PATENT DOCUMENTS

D. 256,271	8/1980	Huggins	D7/620	X
D. 306,648	4/1990	Jones et al.	D24/128	
2,628,054	2/1953	Fazakerley	248/311.2	
5,058,787	10/1991	Chou	248/311.21	X

OTHER PUBLICATIONS

The Lancet Publication Jan. 3, 1970 FIG. #2 lower

right "Urinal Lid with Pommel Rack and Forward Placed Cup" p. 22.

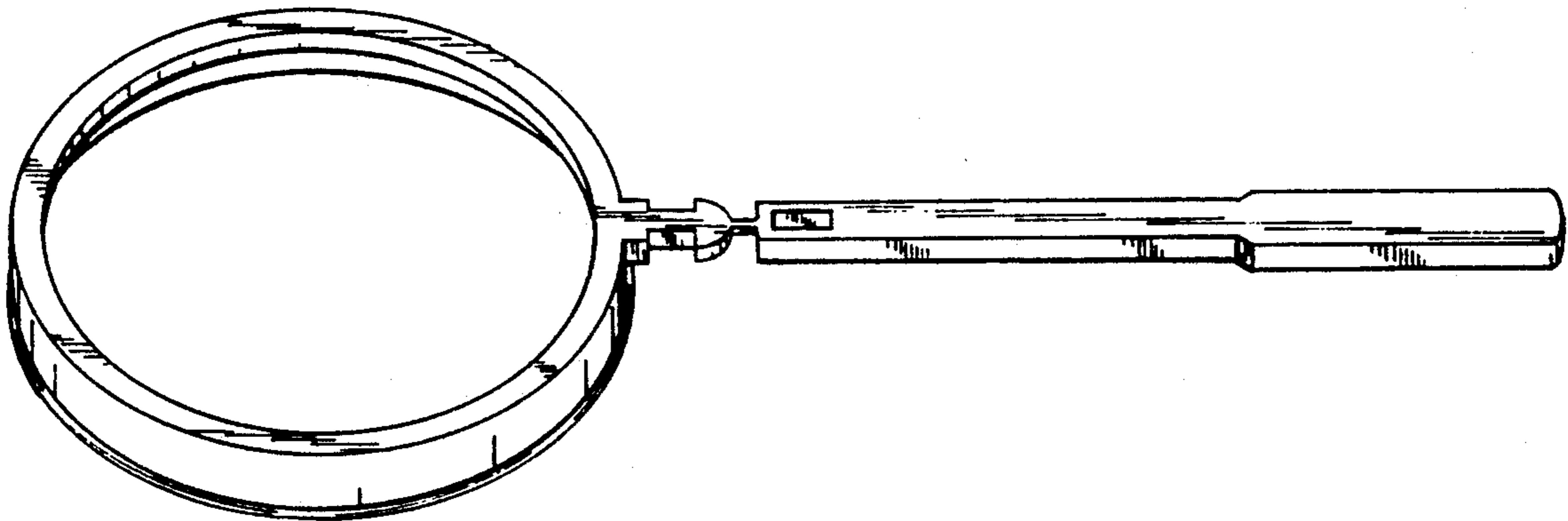
Primary Examiner—Stella Reid
Assistant Examiner—I. Simmons
Attorney, Agent, or Firm—Glen M. Burdick

[57] CLAIM

The ornamental design for a specimen cup holder with breakaway handle, as shown and described.

DESCRIPTION

FIG. 1 is a perspective view of a specimen cup holder with breakaway handle showing our new design, in disassembled position;
FIG. 2 is a rear elevational view thereof, in assembled position;
FIG. 3 is a front elevational view thereof;
FIG. 4 is a side elevational view thereof;
FIG. 5 is a side elevational view thereof, opposite that shown in FIG. 4;
FIG. 6 is a top plan view thereof;
FIG. 7 is a bottom plan view thereof; and,
FIG. 8 is a side elevational view thereof with the handle in folded position.



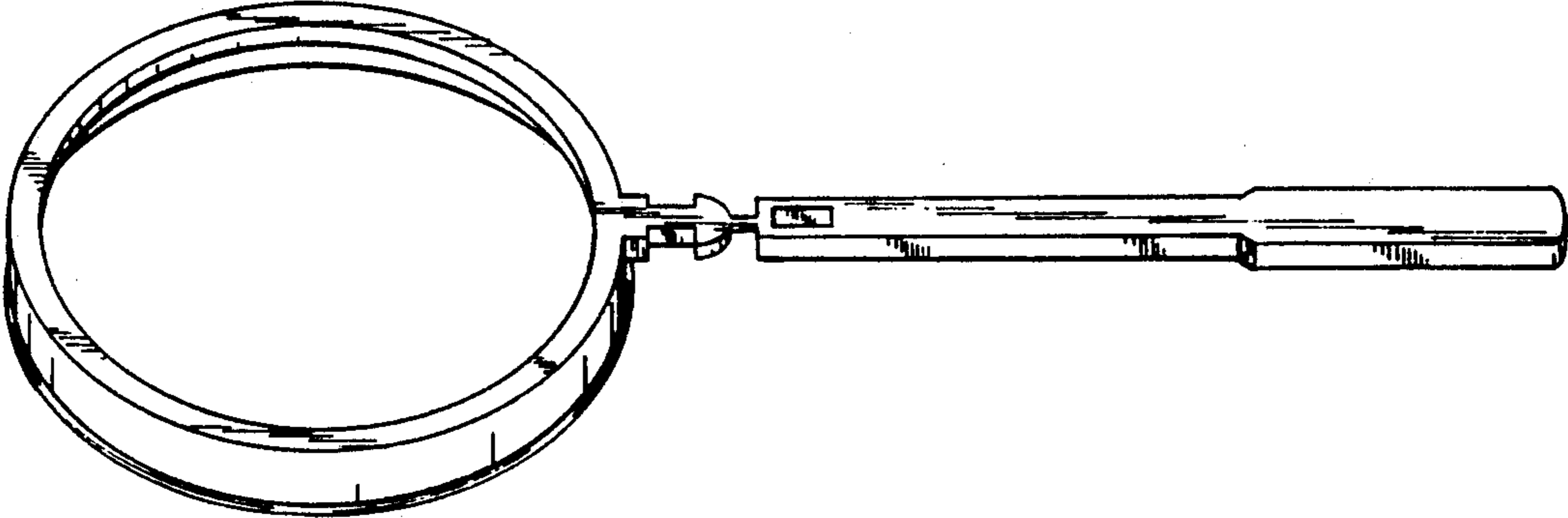


FIG. 1

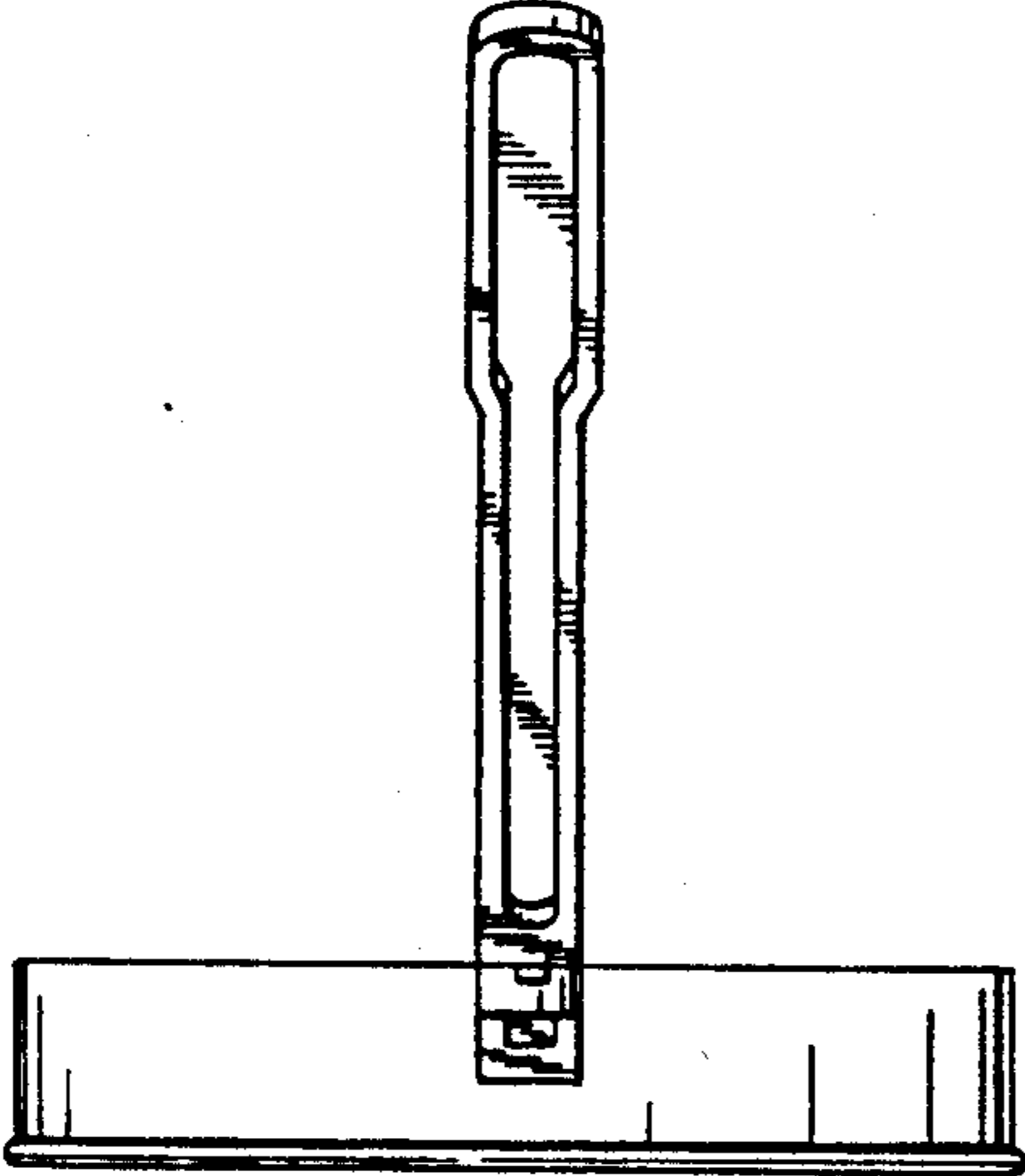


FIG. 2

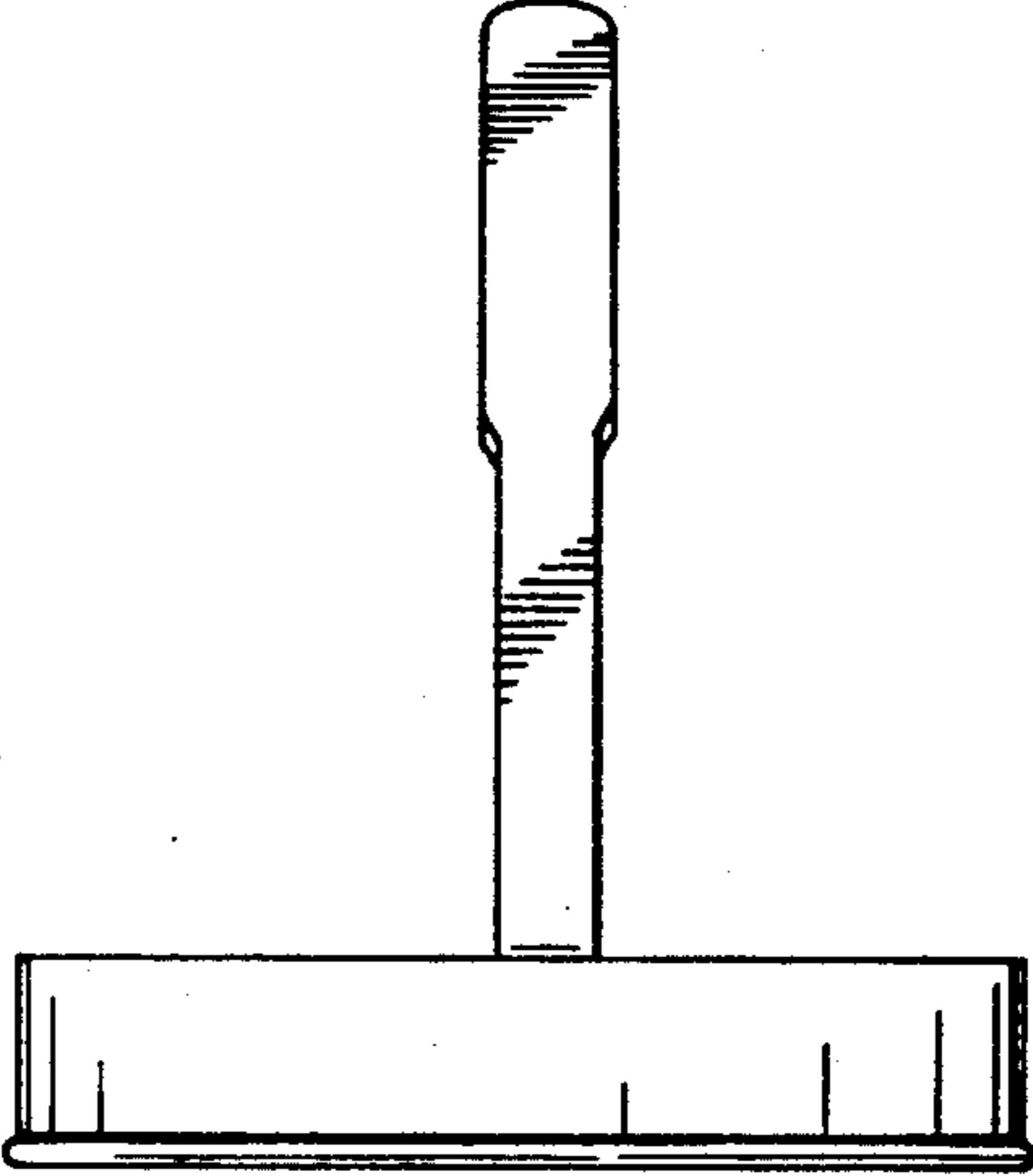


FIG. 3

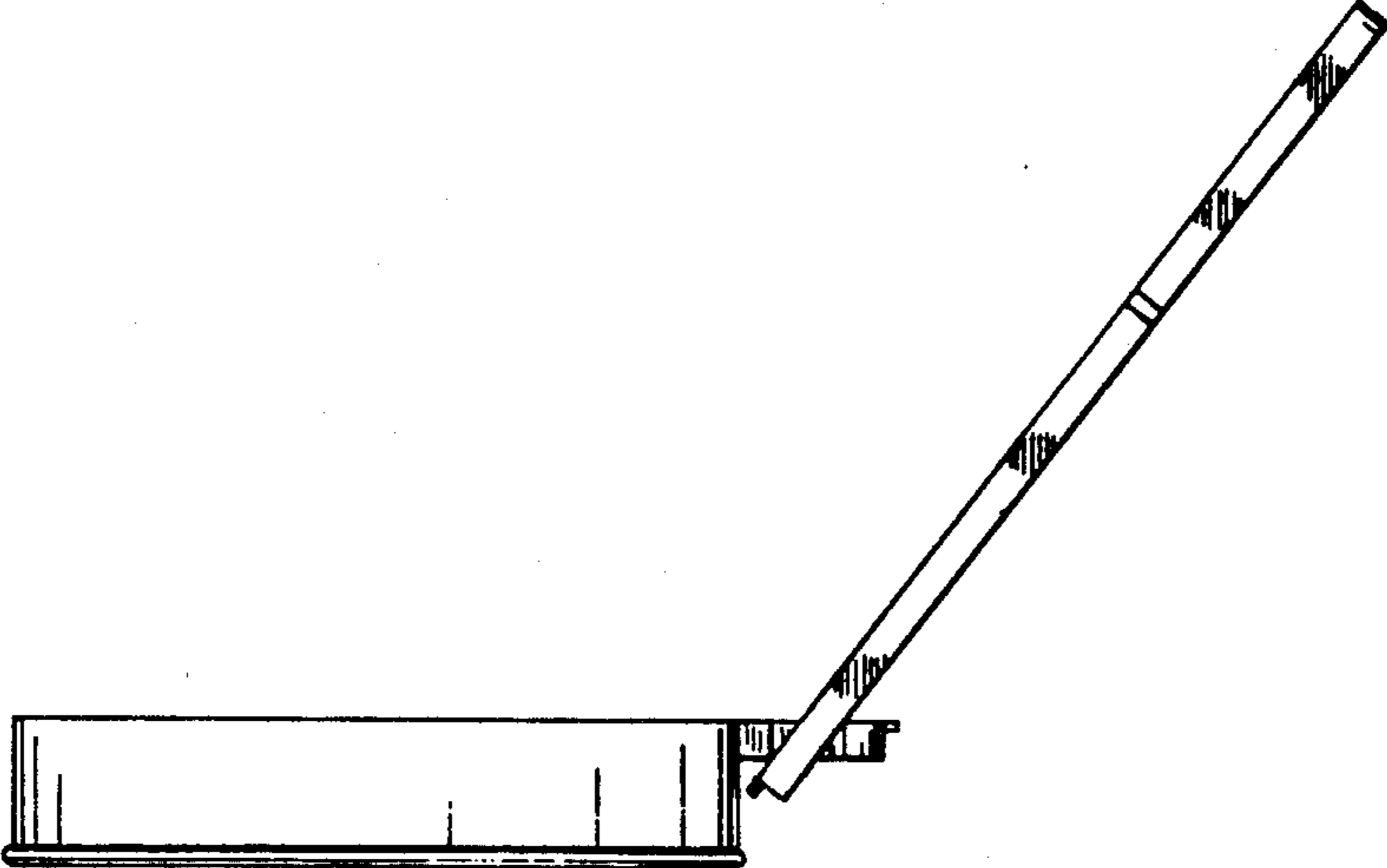


FIG. 4

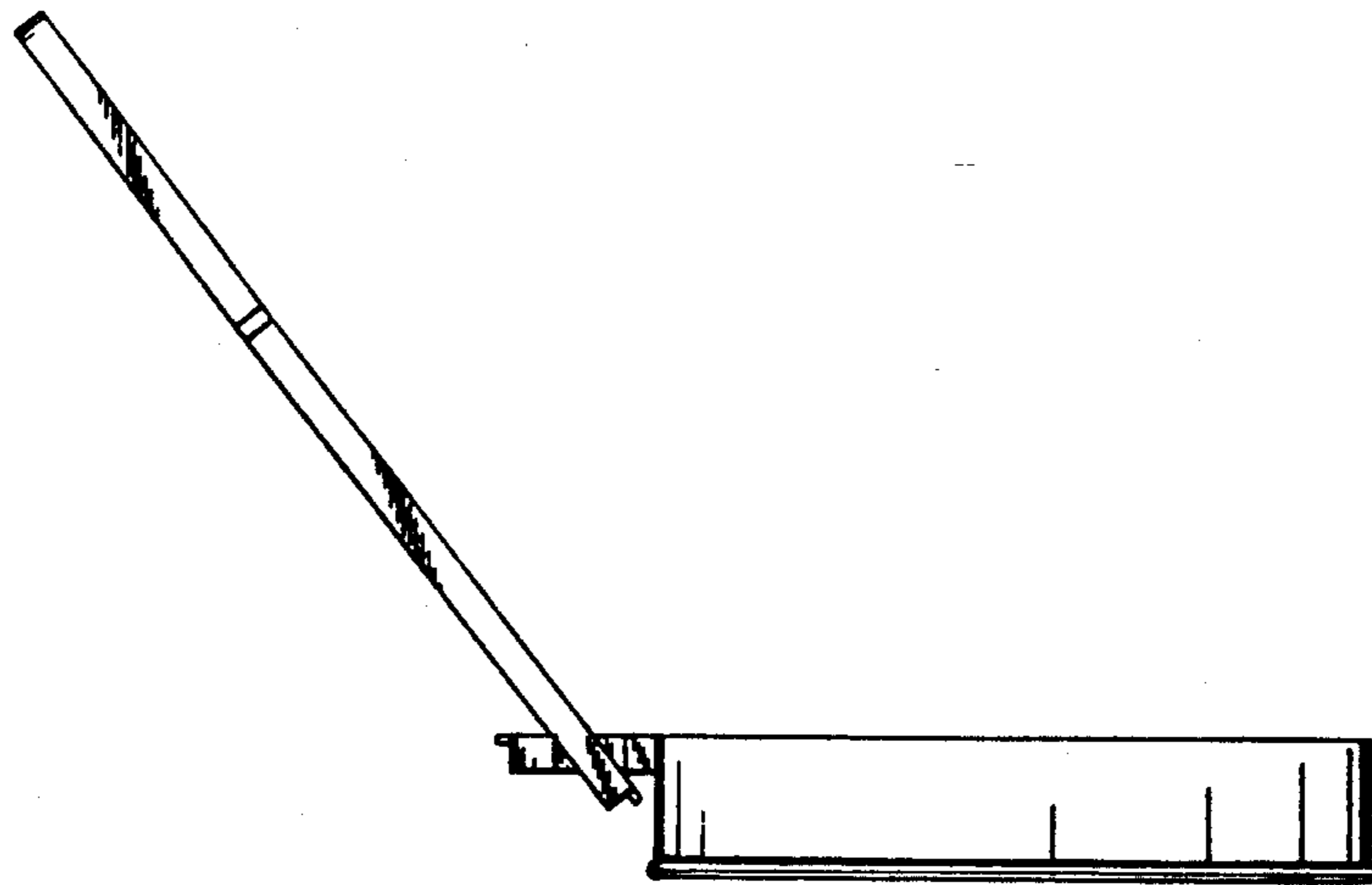


FIG. 5

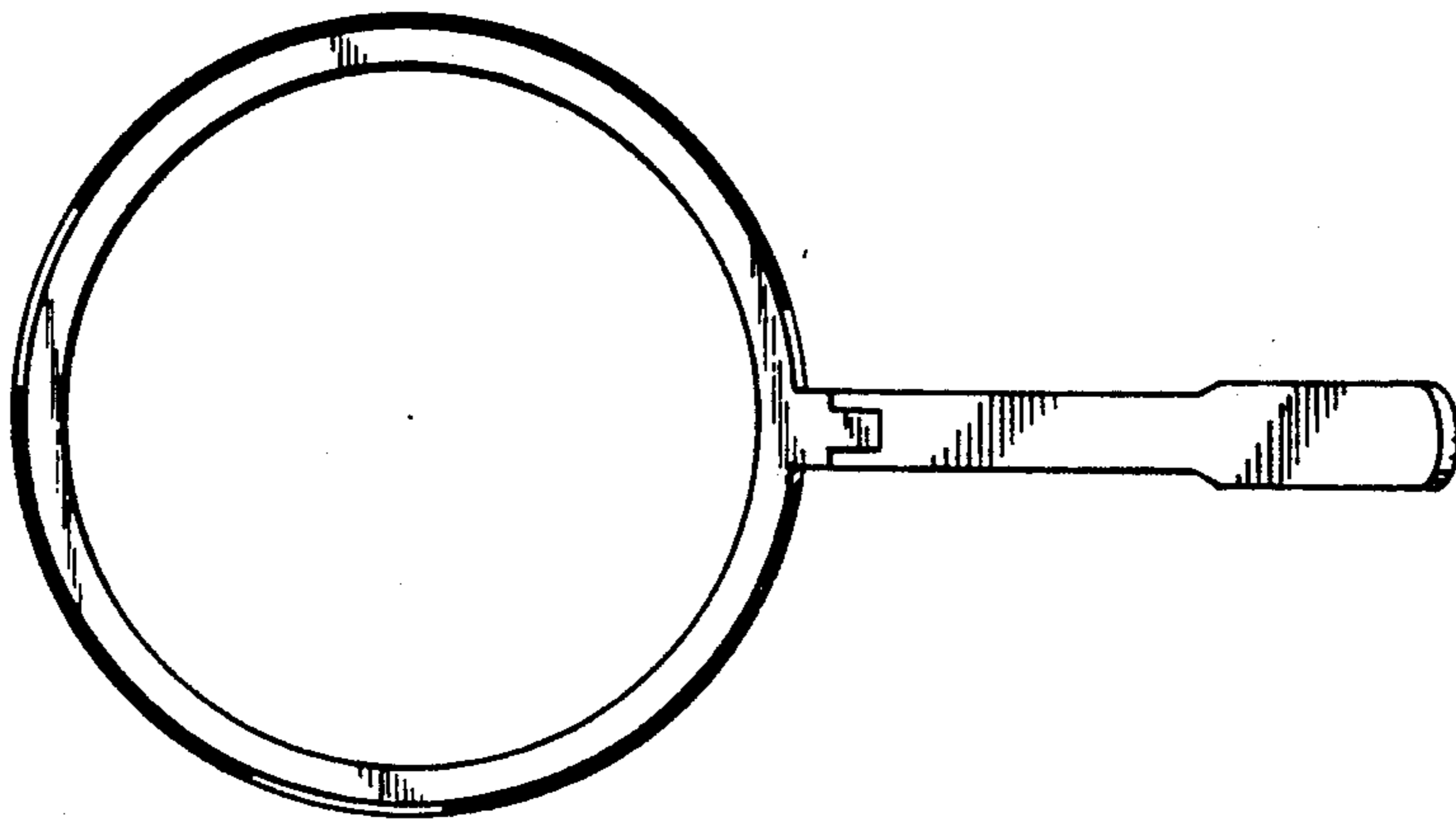


FIG. 6

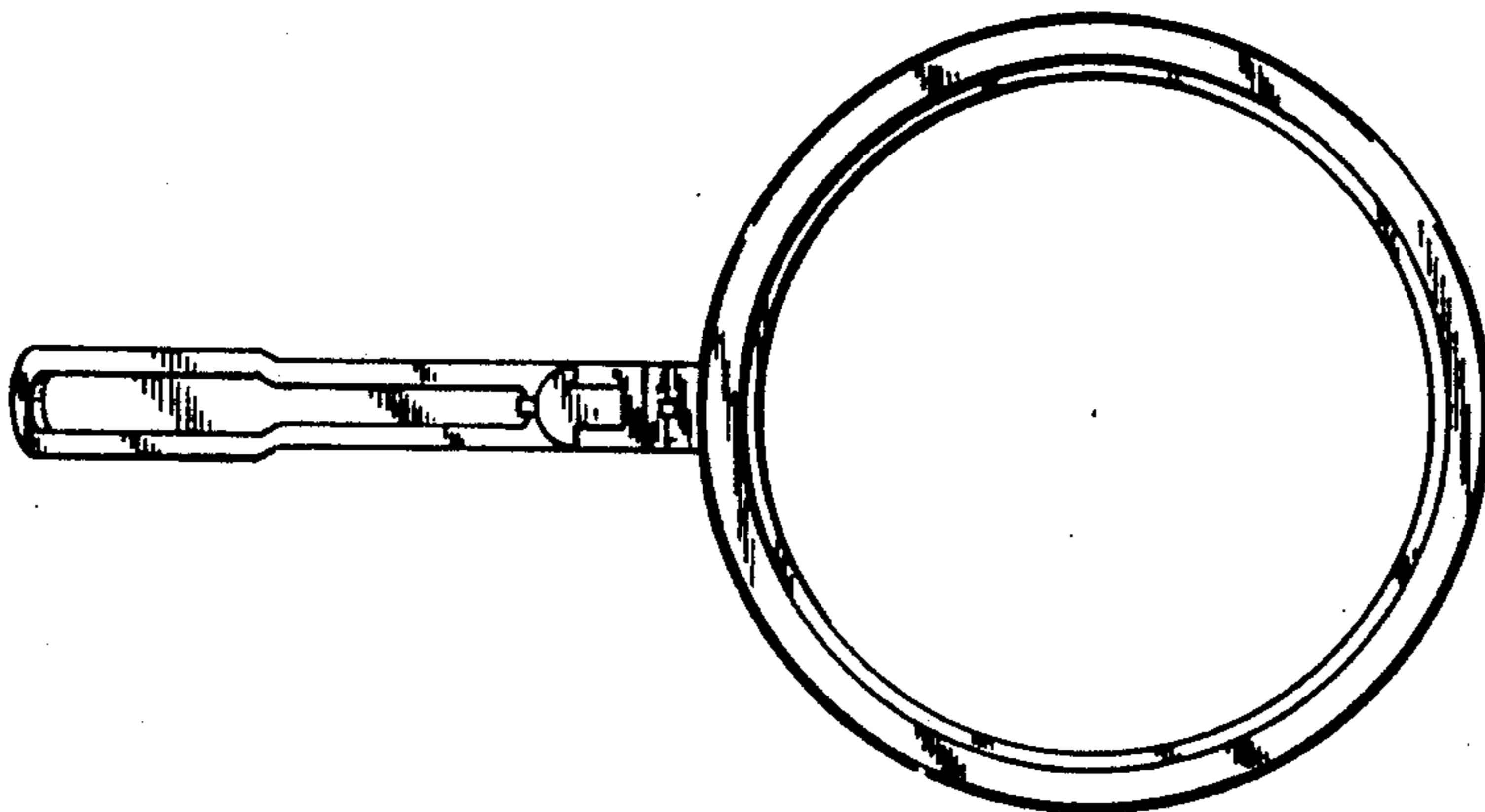


FIG. 7



FIG. 8