



US00D335175S

United States Patent [19]

Sladek

[11] Patent Number: **Des. 335,175**

[45] Date of Patent: **** Apr. 27, 1993**

[54] **COMBINED VENTILATOR DISPENSER AND ADAPTER**

[76] Inventor: **David T. Sladek**, 8141 East McLaren, P.O. Box 57907, Tucson, Ariz. 85732-7907

[**] Term: **14 Years**

[21] Appl. No.: **597,771**

[22] Filed: **Oct. 15, 1990**

[52] U.S. Cl. **D24/110; D9/439; D24/164; D24/129**

[58] Field of Search **D24/110, 108, 113, 129, D24/164; D9/439, 449; 215/355**

[56] **References Cited**

U.S. PATENT DOCUMENTS

- D. 233,845 12/1974 Fettel et al. D24/129
- D. 272,094 1/1984 Wolf et al. D24/110
- D. 304,232 10/1989 Fuller D24/110
- D. 307,183 4/1990 Kalayjian D24/110

D. 328,244 7/1992 Hamilton et al. D24/110 X
4,711,378 12/1987 Anderson 222/206 X

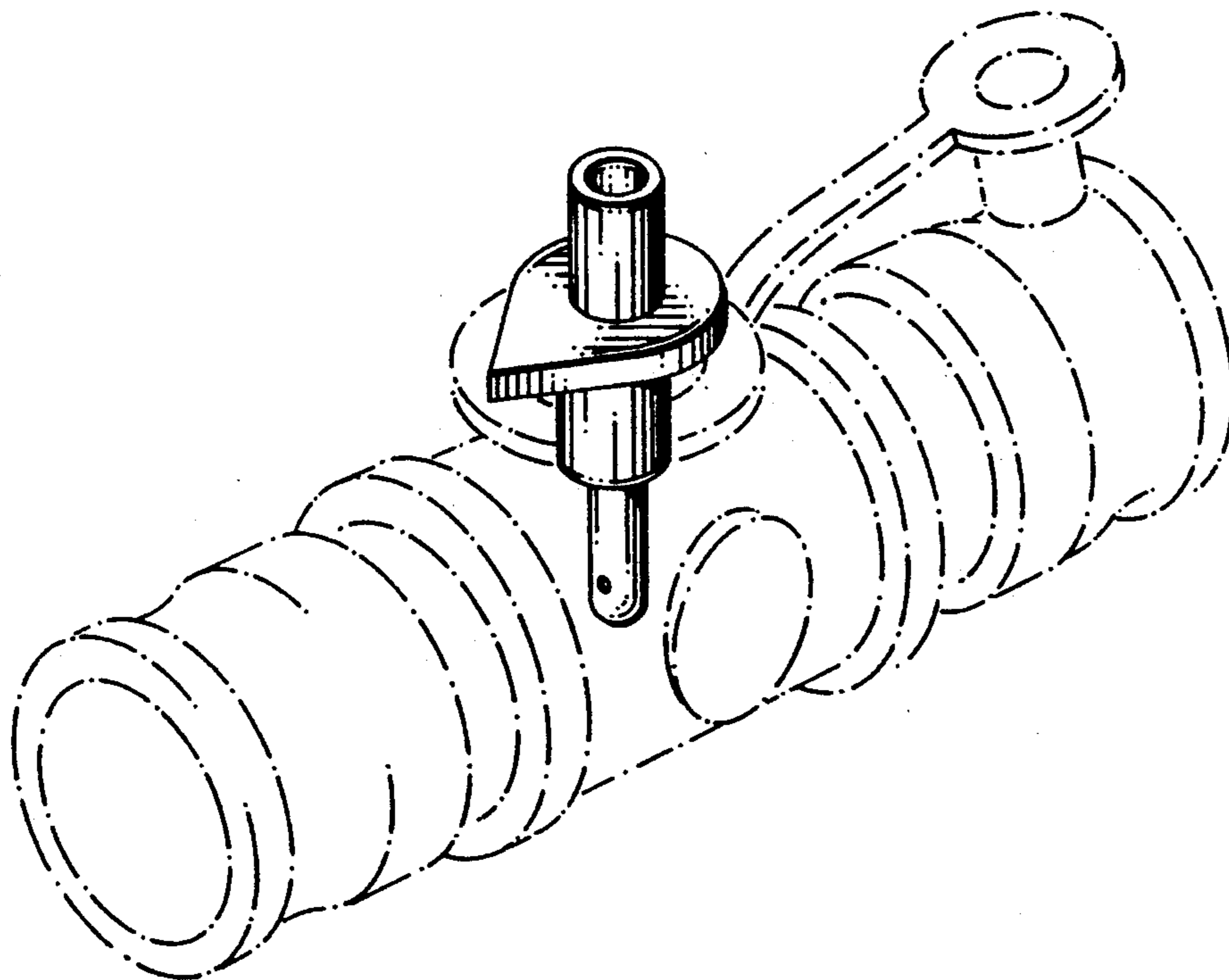
Primary Examiner—Stella Reid
Assistant Examiner—I. Simmons
Attorney, Agent, or Firm—Cahill, Sutton & Thomas

[57] **CLAIM**

The ornamental design for a combined ventilator dispenser and adapter, as shown and described.

DESCRIPTION

FIG. 1 is a perspective view of a combined ventilator dispenser and adapter showing my new design, the broken line showing is for illustrative purposes only and forms no part of the claimed design; FIG. 2 is a top plan view thereof; FIG. 3 is a bottom plan view thereof; FIG. 4 is a front elevational view thereof; FIG. 5 is a rear elevational view thereof; FIG. 6 is a left side elevational view thereof; and, FIG. 7 is a right side elevational view thereof.



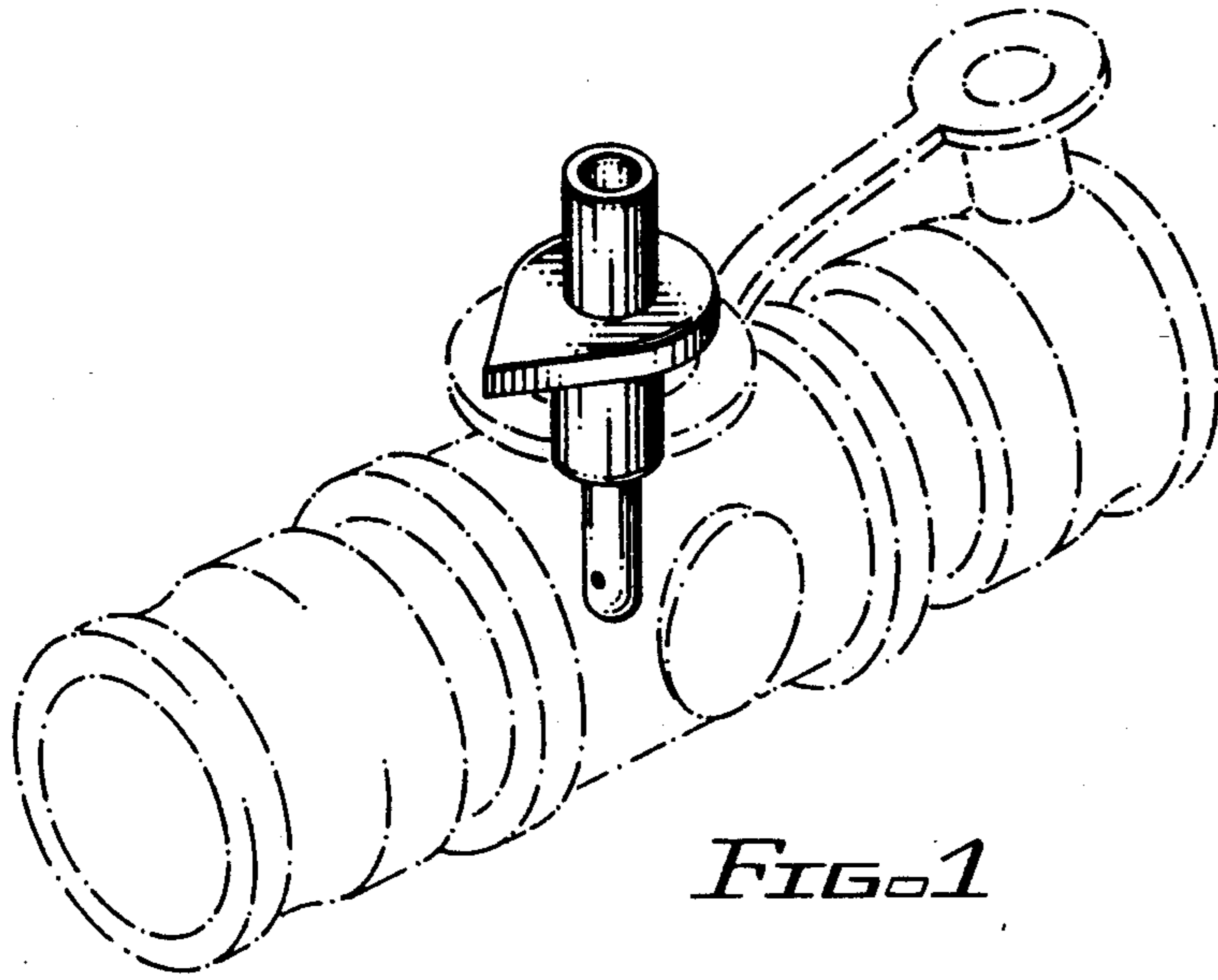


FIG. 1

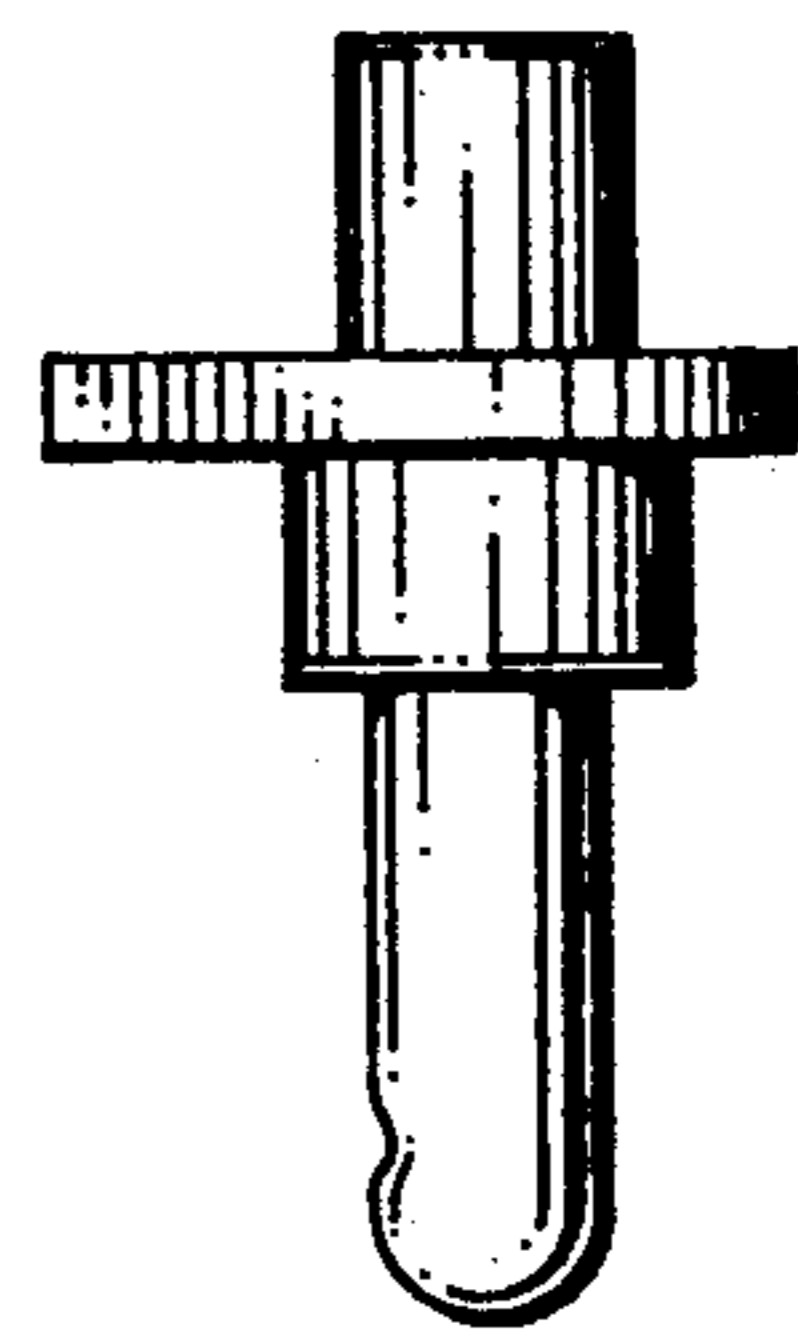


FIG. 4

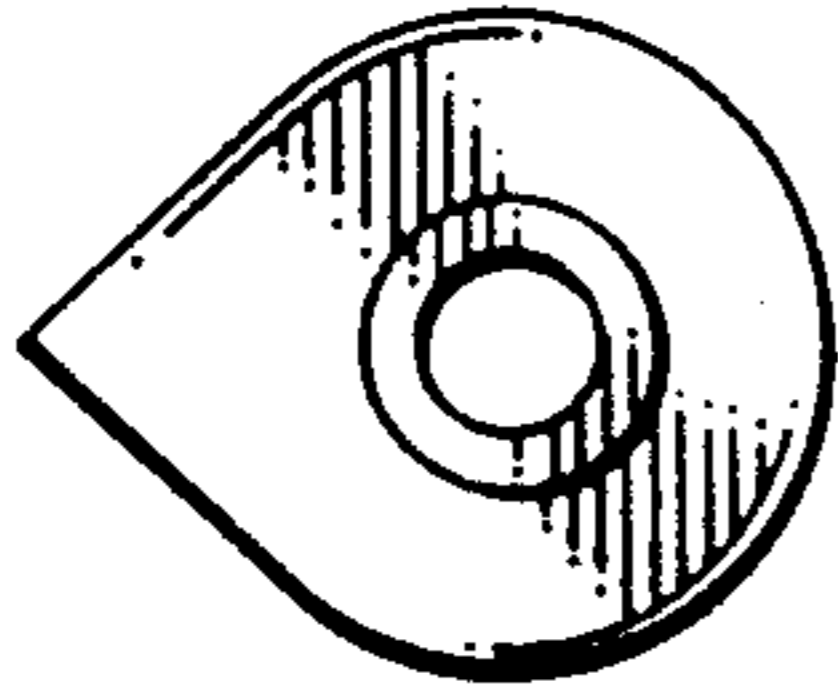


FIG. 2

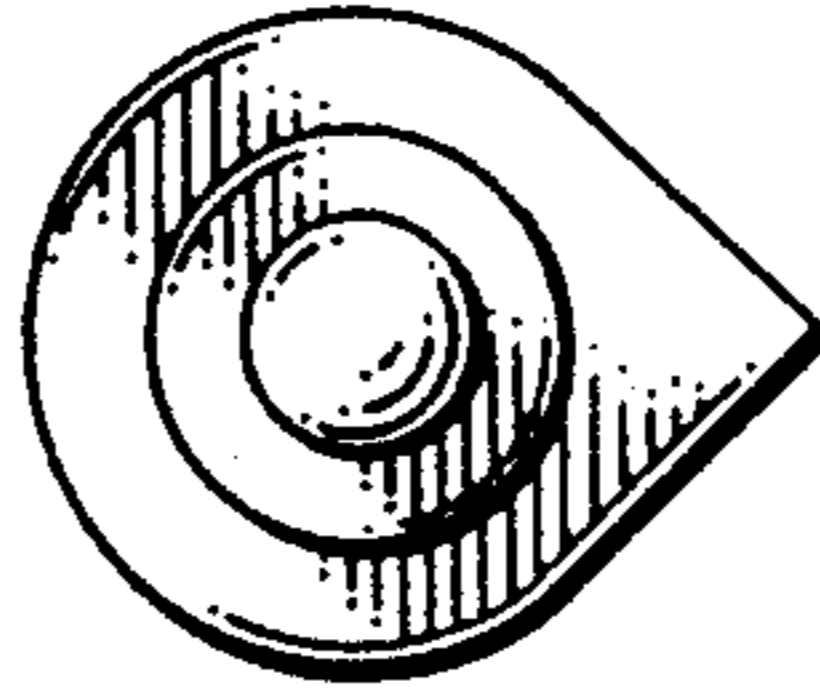


FIG. 3

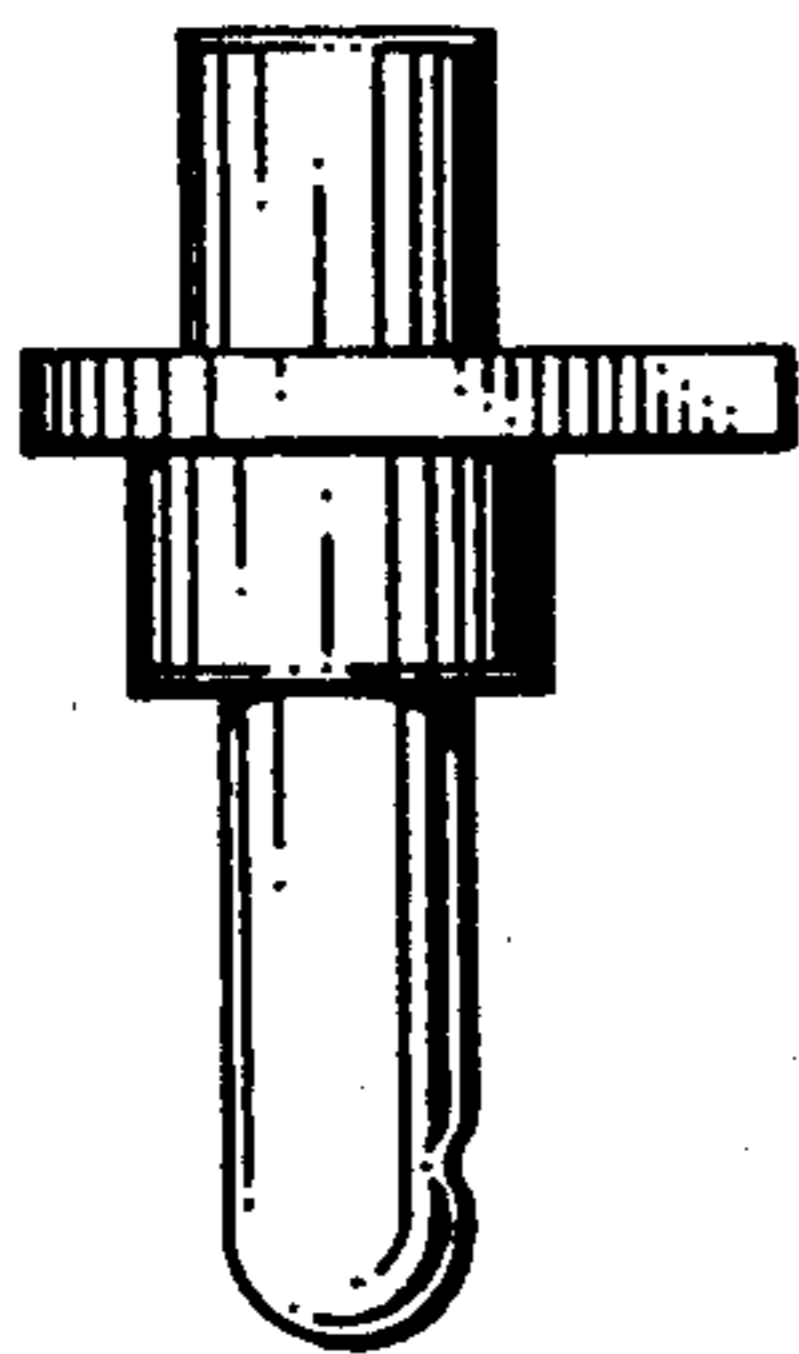


FIG. 5

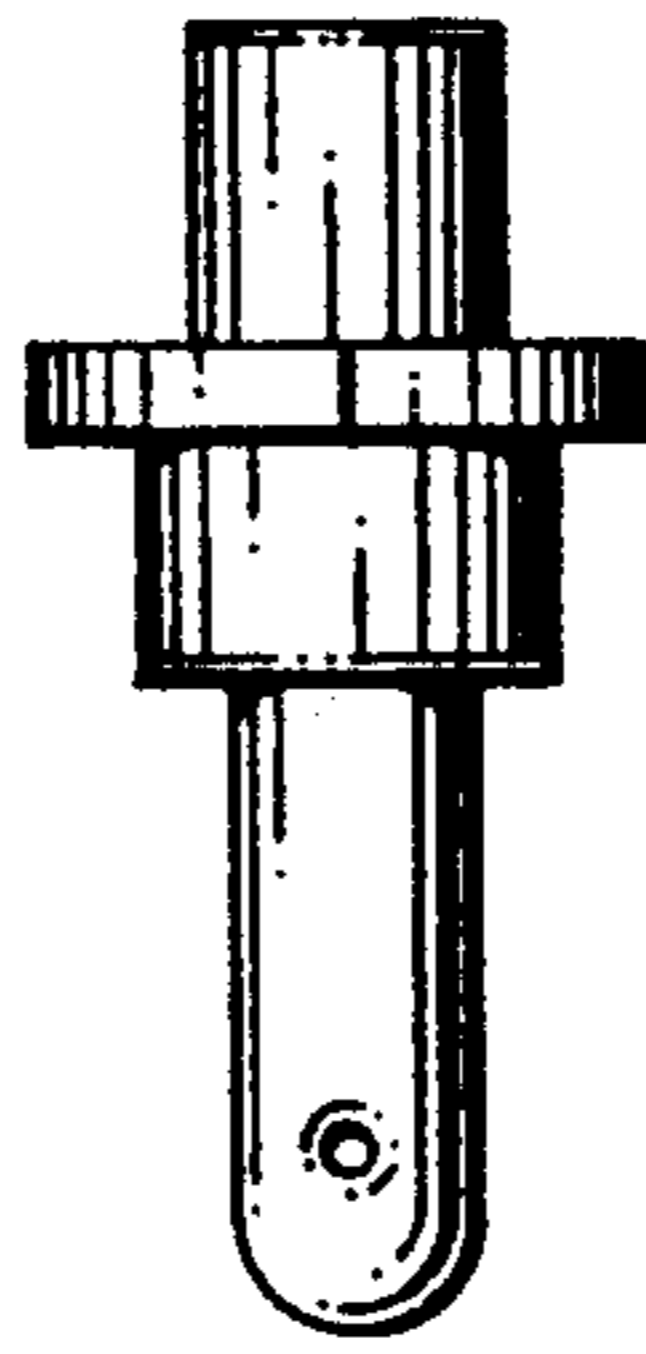


FIG. 6

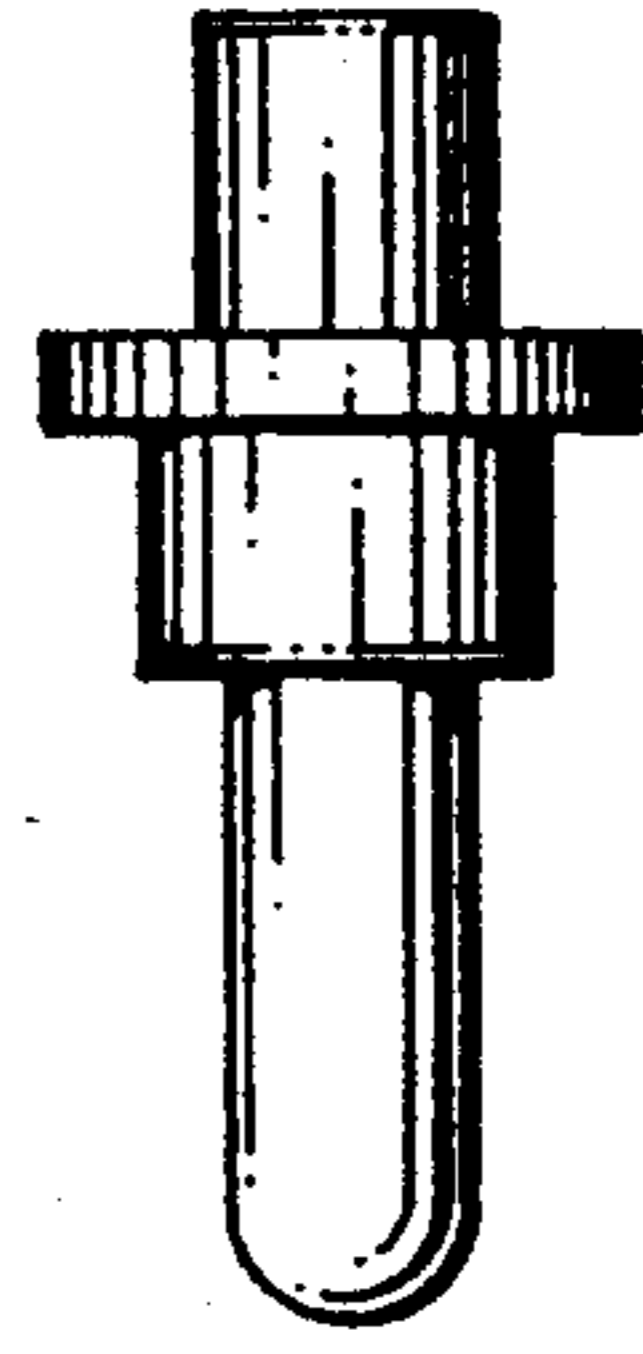


FIG. 7