



US00D335174S

# United States Patent [19]

Anderson et al.

[11] Patent Number: **Des. 335,174**

[45] Date of Patent: **\*\* Apr. 27, 1993**

[54] **VENT WHICH ATTACHES TO THE REAR OF A CLOTHES DRYER AND CONNECTS TO THE OUTLET IN A WALL**

[75] Inventors: **Charles B. Anderson**, Jacksonville, Tex.; **Charles R. Kenrick**, Spring Lake, Mich.

[73] Assignee: **Builder's Best, Inc.**, Jacksonville, Tex.

[\*\*] Term: **14 Years**

[21] Appl. No.: **829,735**

[22] Filed: **Jan. 31, 1992**

[52] U.S. Cl. .... **D23/393**

[58] Field of Search ..... **D23/393; 454/231, 243, 454/234; 285/298; 138/177, 178, DIG. 11**

[56] **References Cited**

**U.S. PATENT DOCUMENTS**

2,215,318 9/1940 Bristol ..... 138/75  
3,130,752 4/1964 Gerken ..... 138/177

*Primary Examiner*—Wallace R. Burke  
*Assistant Examiner*—Lisa Lichtenstein  
*Attorney, Agent, or Firm*—Price, Heneveld, Cooper, DeWitt & Litton

[57] **CLAIM**

The ornamental design for a vent which attaches to the rear of a clothes dryer and connects to the outlet in a wall, as shown and described.

**DESCRIPTION**

FIG. 1 is a perspective view of a vent which attaches to the rear of a clothes dryer and connects to the outlet in a wall showing our new design;

FIG. 2 is an enlarged side elevational view thereof;

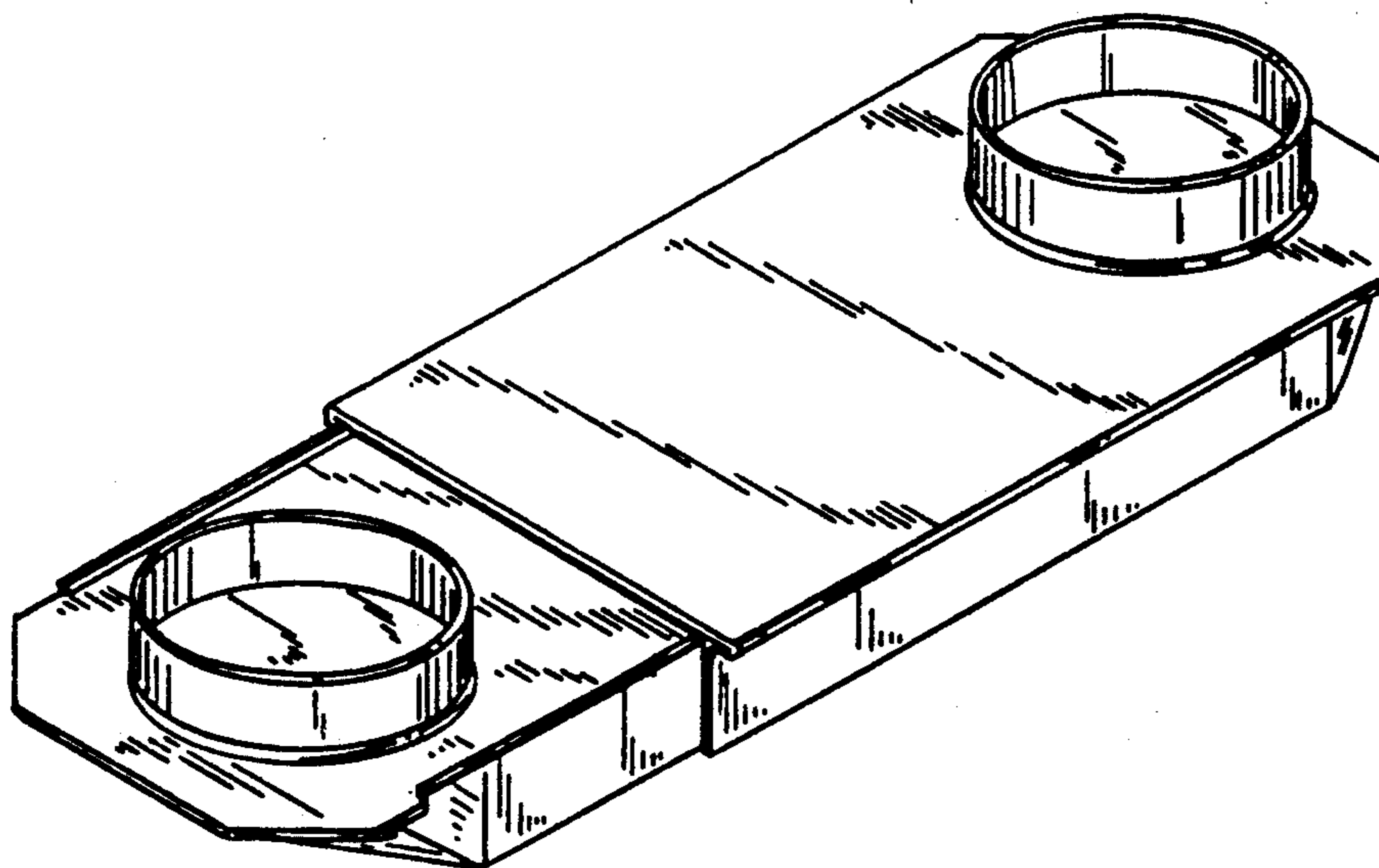
FIG. 3 is an enlarged bottom plan view thereof;

FIG. 4 is an enlarged top plan view thereof;

FIG. 5 is an enlarged end elevational view of one end thereof; and,

FIG. 6 is an enlarged end elevational view of the second end thereof.

The second side view is a mirror image of FIG. 2.



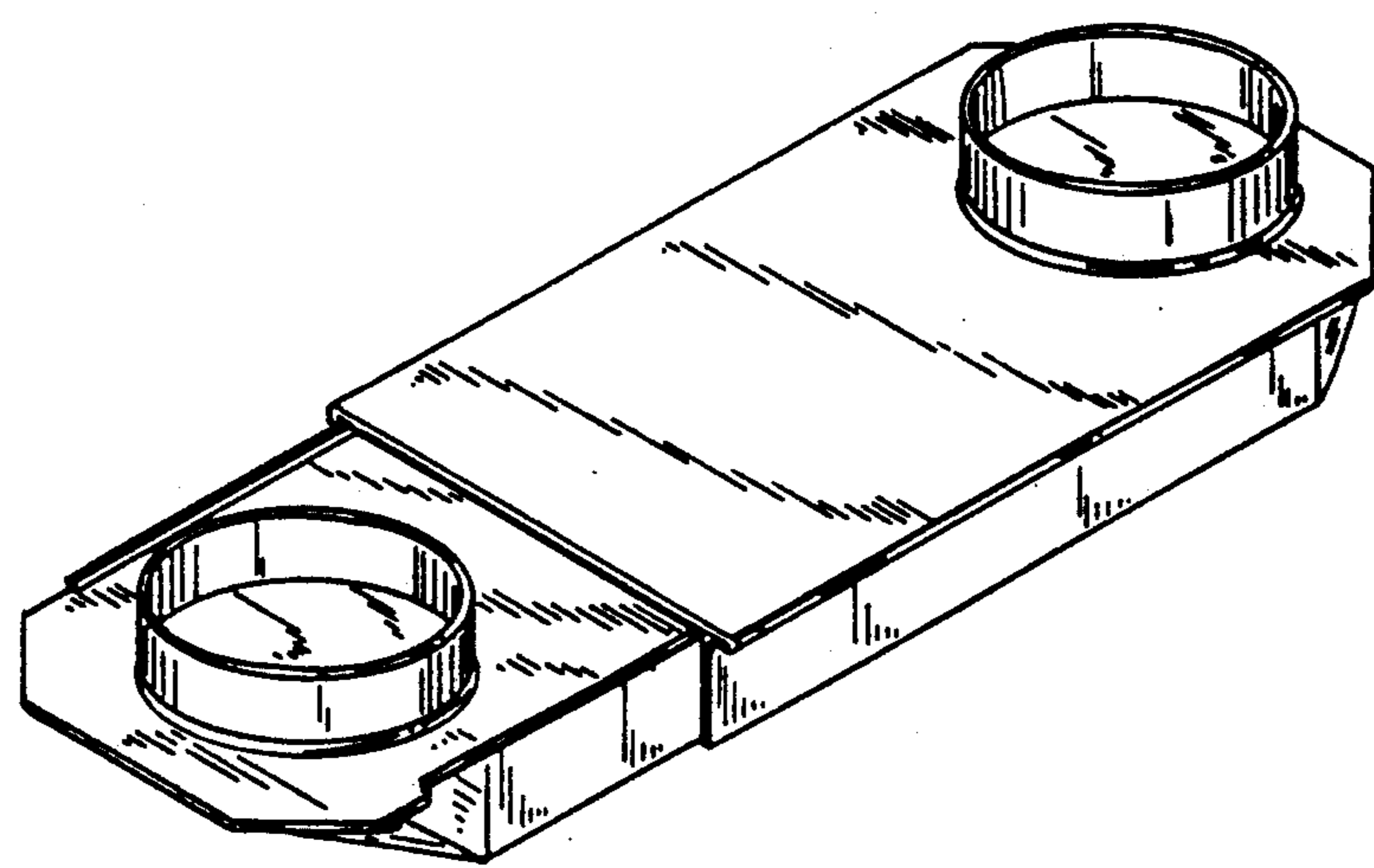


FIG. 1

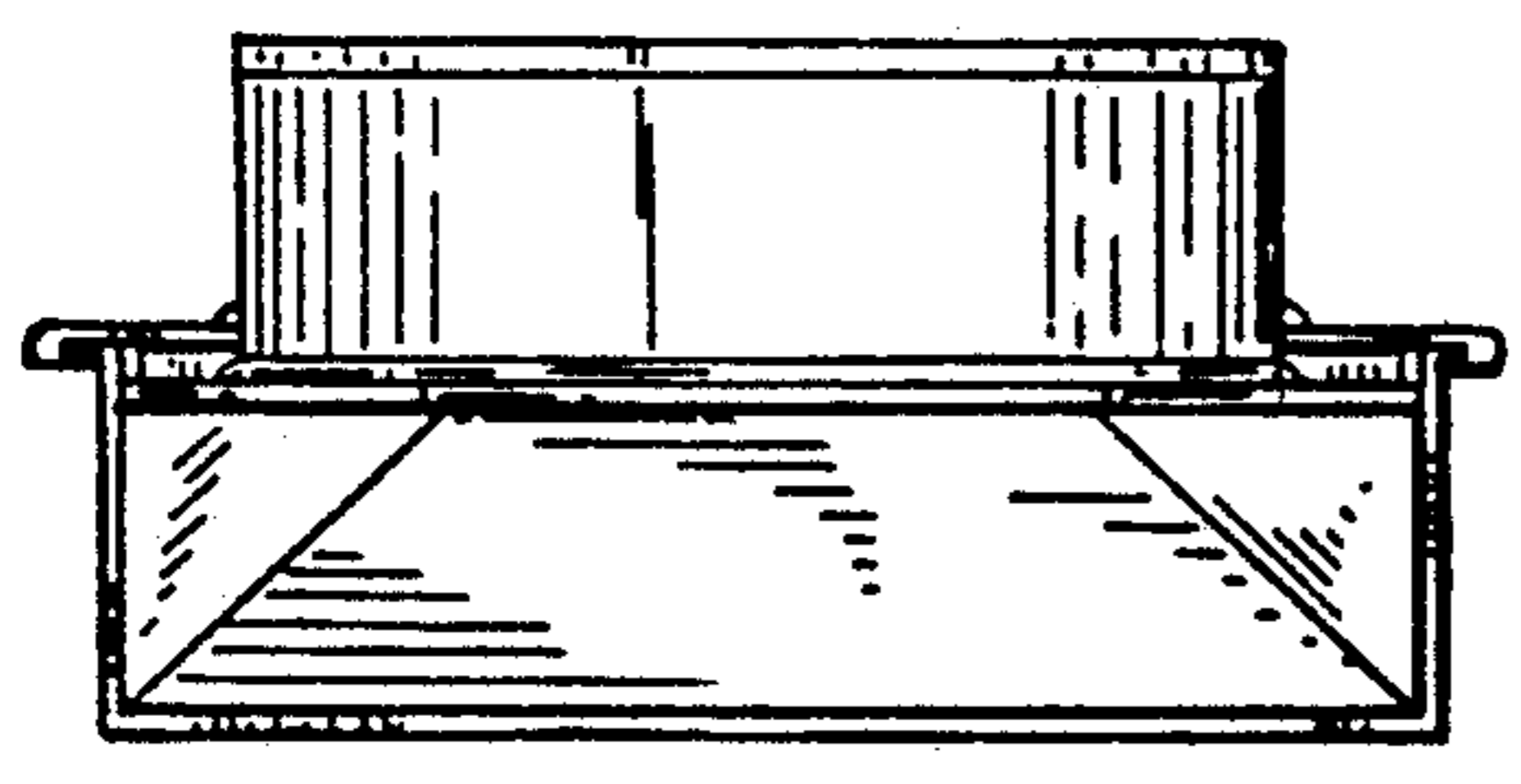


FIG. 5

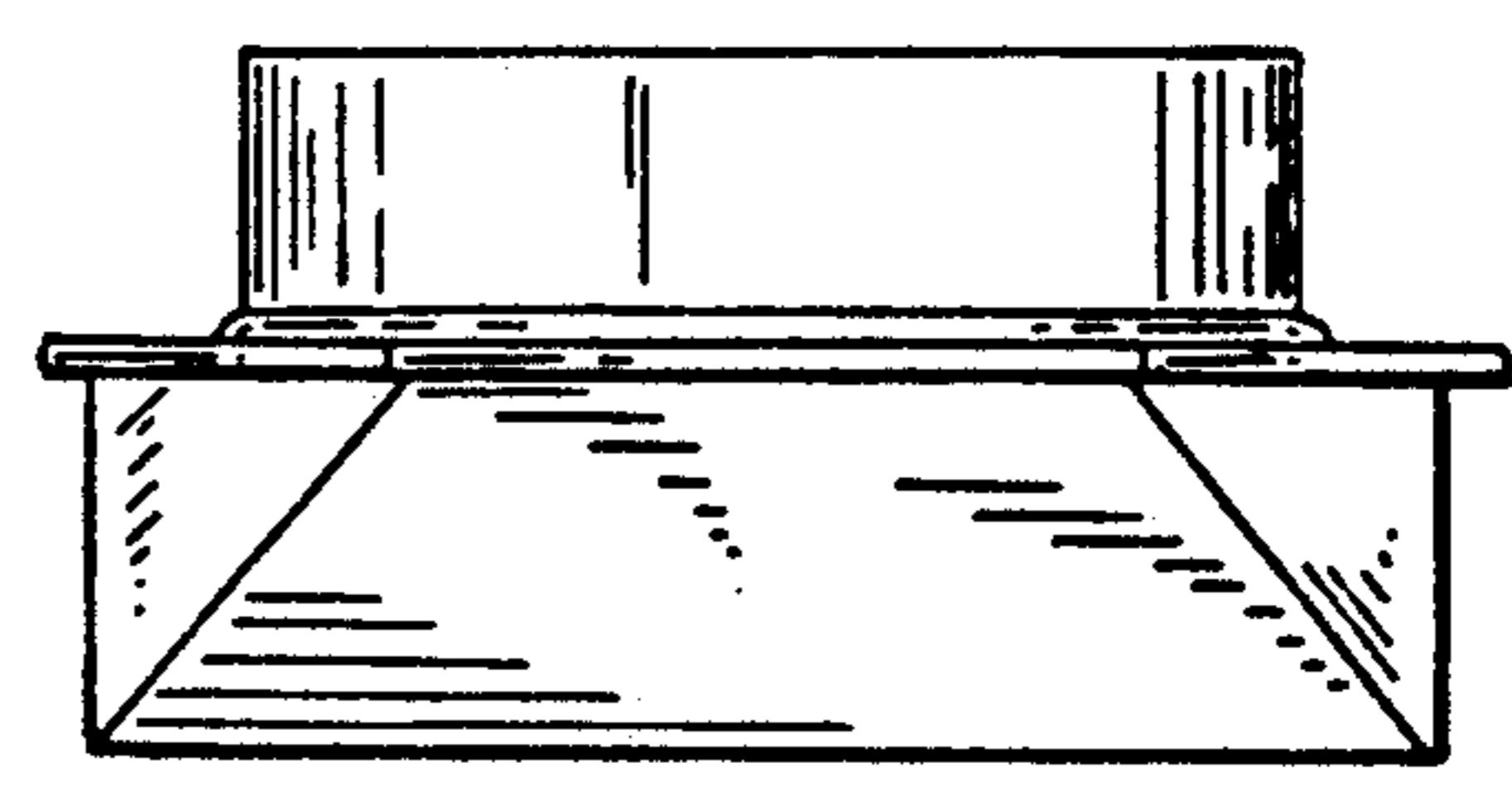


FIG. 6



FIG. 2

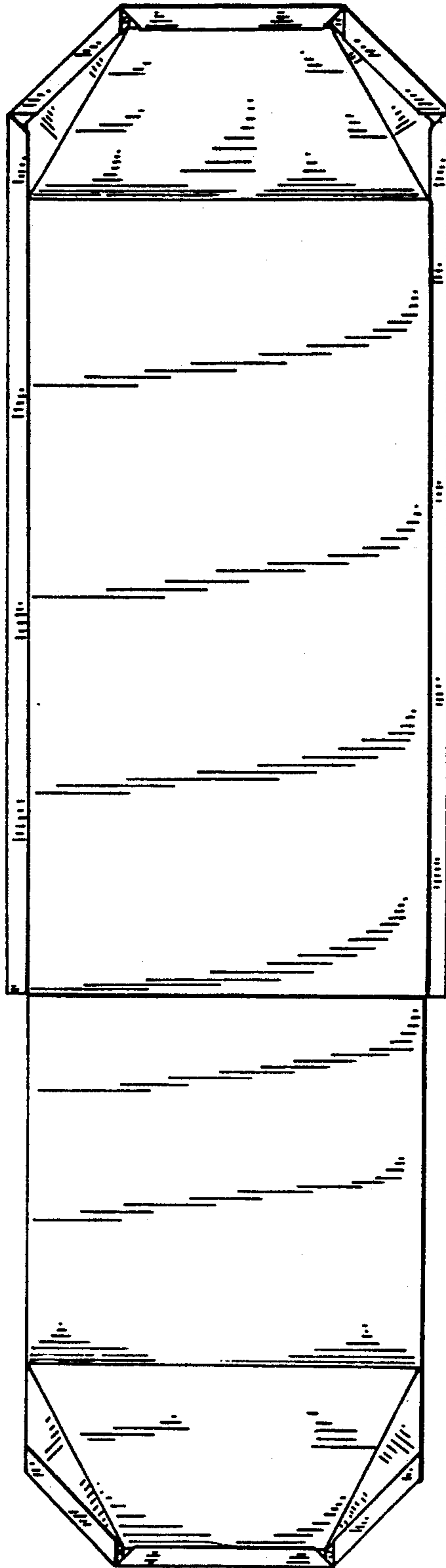


FIG. 3

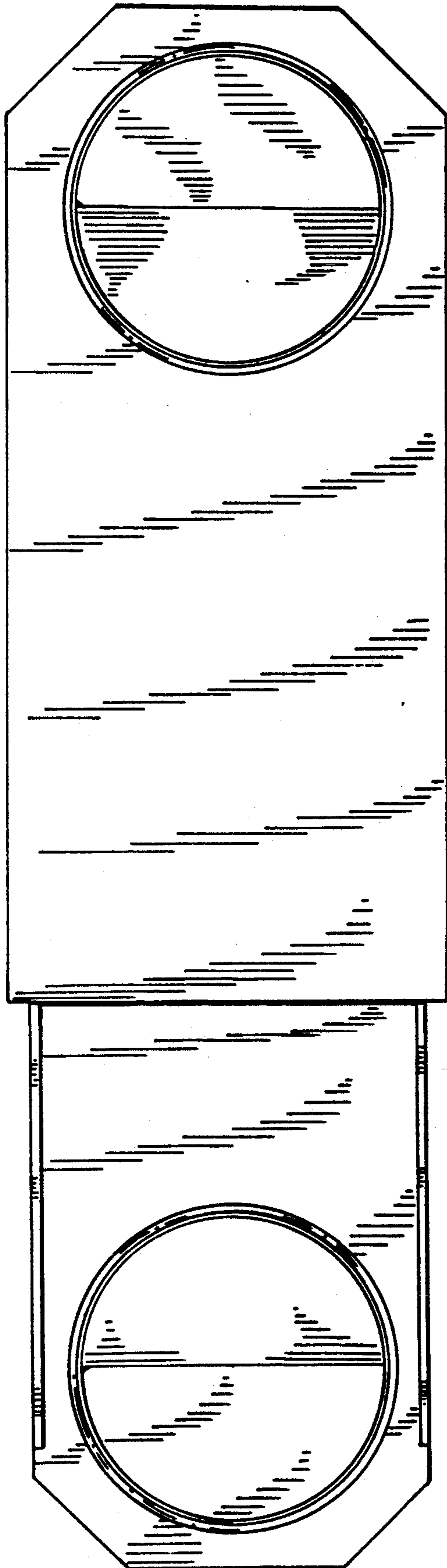


FIG. 4