



US00D335173S

United States Patent [19]

[11] Patent Number: **Des. 335,173**

Leufstedt et al.

[45] Date of Patent: **** Apr. 27, 1993**

[54] **COUPLING ELEMENT FOR CONNECTING THE FLANGED ENDS OF DUCTS**

4,077,434 3/1978 Sieckert et al. 138/156
4,564,227 1/1986 Murck 285/424

[76] Inventors: **Stefan Leufstedt**, Carl XII gatan 11a, S-271 44 Ystad; **Carl-Eric Jäderberg**, Larmgatan 8, S-393 23 Kalmar, both of Sweden

FOREIGN PATENT DOCUMENTS

2038434 7/1980 United Kingdom 285/424

[**] Term: **14 Years**

Primary Examiner—Wallace R. Burke
Assistant Examiner—Lisa Lichtenstein
Attorney, Agent, or Firm—Merchant & Gould Smith, Edell, Welter & Schmidt

[21] Appl. No.: **542,165**

[22] Filed: **Jun. 22, 1990**

[57] CLAIM

The ornamental design for a coupling element for connecting the flanged ends of ducts, as shown and described.

[30] Foreign Application Priority Data

Dec. 27, 1989 [SE] Sweden 89 2961

DESCRIPTION

[52] U.S. Cl. **D23/393**

[58] Field of Search D23/393; D25/113, 118, D25/164; 138/166, 156; 285/53, 424; 52/631

FIG. 1 is a perspective view taken from the top and one side of a coupling element for connecting the flanged ends of ducts in the closed state;

[56] References Cited

U.S. PATENT DOCUMENTS

3,023,032 2/1962 Johnston et al. 285/424

3,338,599 8/1967 Hallman 285/424

3,677,517 7/1972 Root et al. 285/424

FIG. 2 is a perspective view from the opposite side of the coupling element in the closed state; and,

FIG. 3 is a perspective view of the coupling element in the open state.

The bottom of the design is a mirror image of the top.

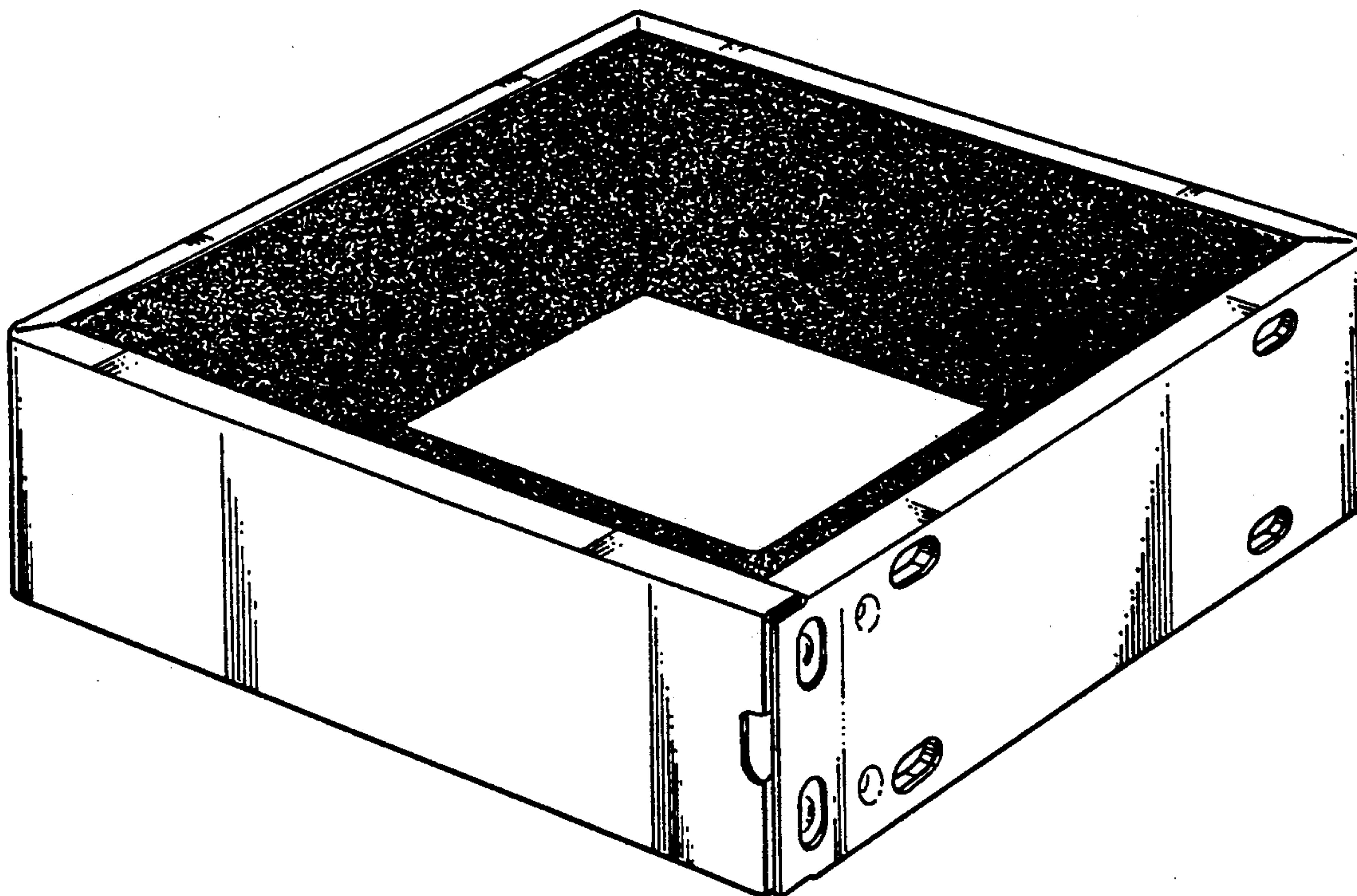


FIG.1

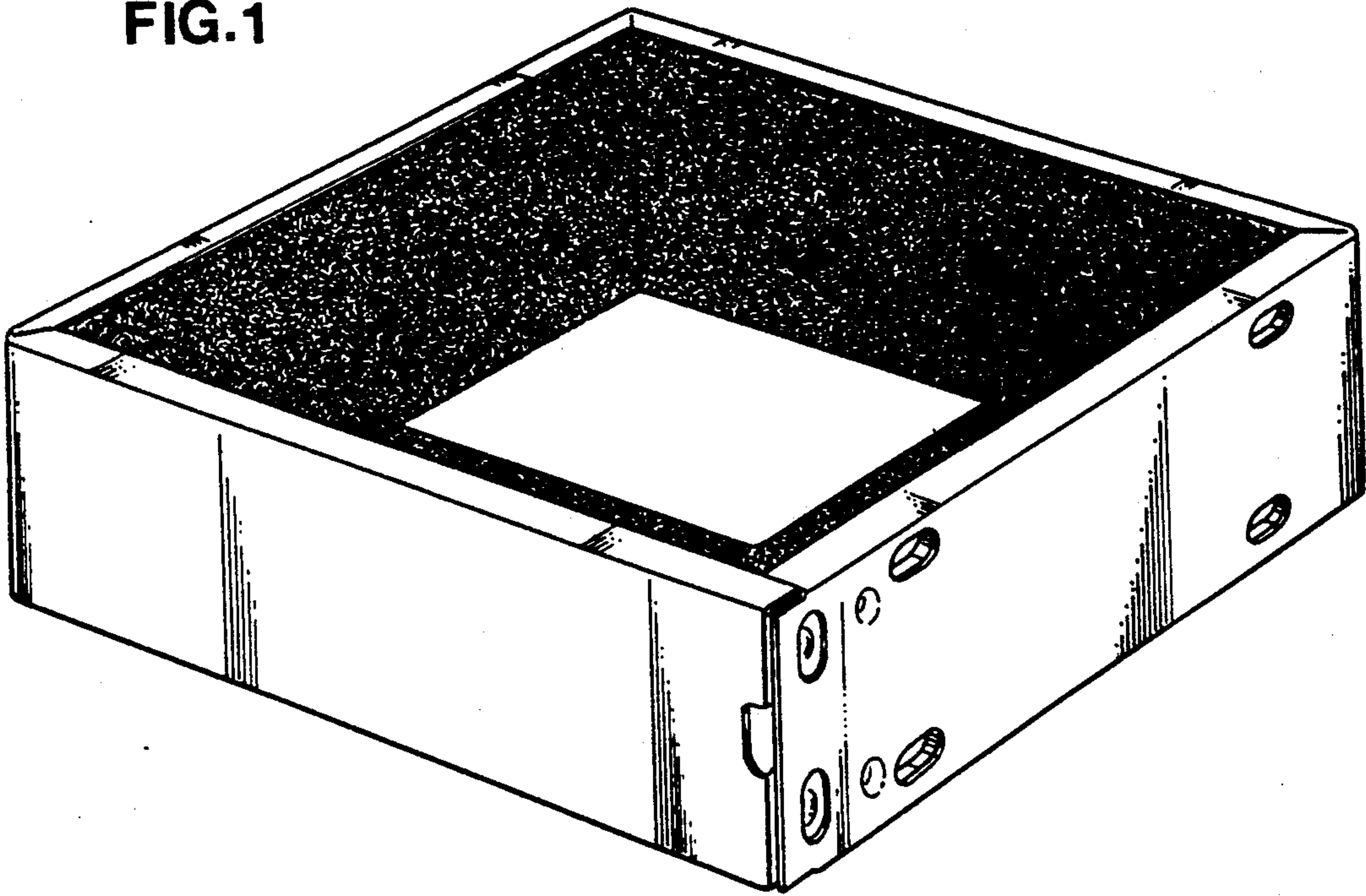


FIG. 2

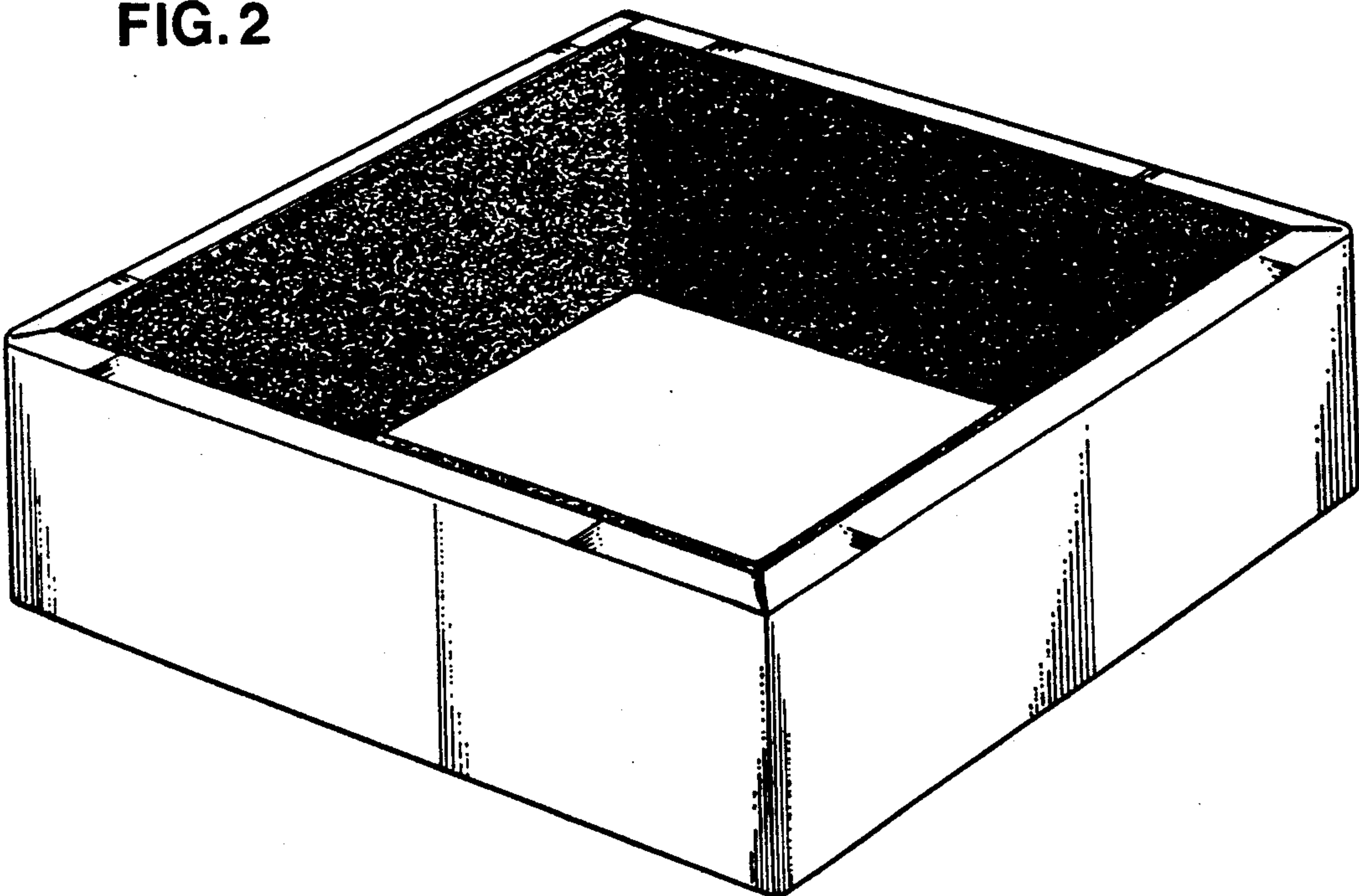


FIG. 3

