



US00D335172S

# United States Patent [19]

Tamaki

[11] Patent Number: Des. 335,172

[45] Date of Patent: \*\* Apr. 27, 1993

[54] ELECTROMAGNETIC VALVE

[75] Inventor: Shigeo Tamaki, Asahi, Japan

[73] Assignee: Kuroda Seiko Company Limited, Japan

[\*\*] Term: 14 Years

[21] Appl. No.: 409,651

[22] Filed: Sep. 19, 1989

[30] Foreign Application Priority Data

Mar. 10, 1989 [JP] Japan ..... 1-8706

[52] U.S. Cl. .... D23/248

[58] Field of Search ..... D23/233-237, D23/243-249; 137/625.64, 884

[56] References Cited

U.S. PATENT DOCUMENTS

- D. 187,091 1/1960 Boothroyd et al. .... D23/248
- D. 312,120 11/1990 Askew ..... D23/245
- 3,194,257 7/1965 Stephens ..... 137/343

- 3,688,797 9/1972 Sorenson ..... 137/625.64
- 4,815,496 3/1989 Nishitani et al. .... 137/884
- 4,860,638 8/1989 Hosono et al. .... 137/884

FOREIGN PATENT DOCUMENTS

2826480 1/1979 Fed. Rep. of Germany ..... 137/884

Primary Examiner—Wallace R. Burke  
Assistant Examiner—Lisa Lichtenstein  
Attorney, Agent, or Firm—Peter J. Georges

[57] CLAIM

The ornamental design for an electromagnetic valve, as shown.

DESCRIPTION

FIG. 1 is a left side elevational view of an electromagnetic valve showing my new design;  
FIG. 2 is a front elevational view thereof;  
FIG. 3 is a top plan view thereof;  
FIG. 4 is a right side elevational view thereof;  
FIG. 5 is a rear elevational view thereof;  
FIG. 6 is a bottom plan view thereof; and,  
FIG. 7 is a left, front, top perspective view thereof.

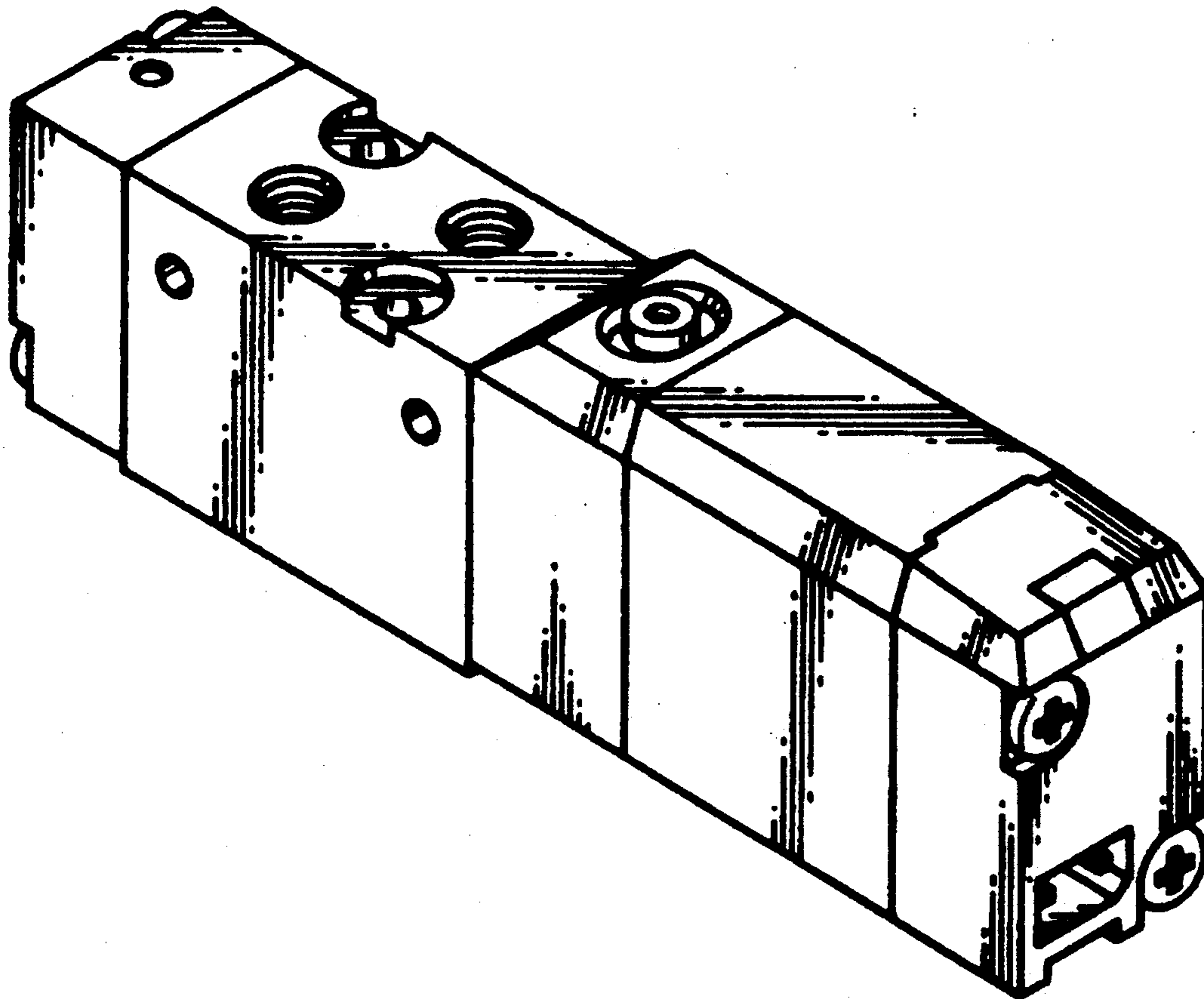


FIG. 1

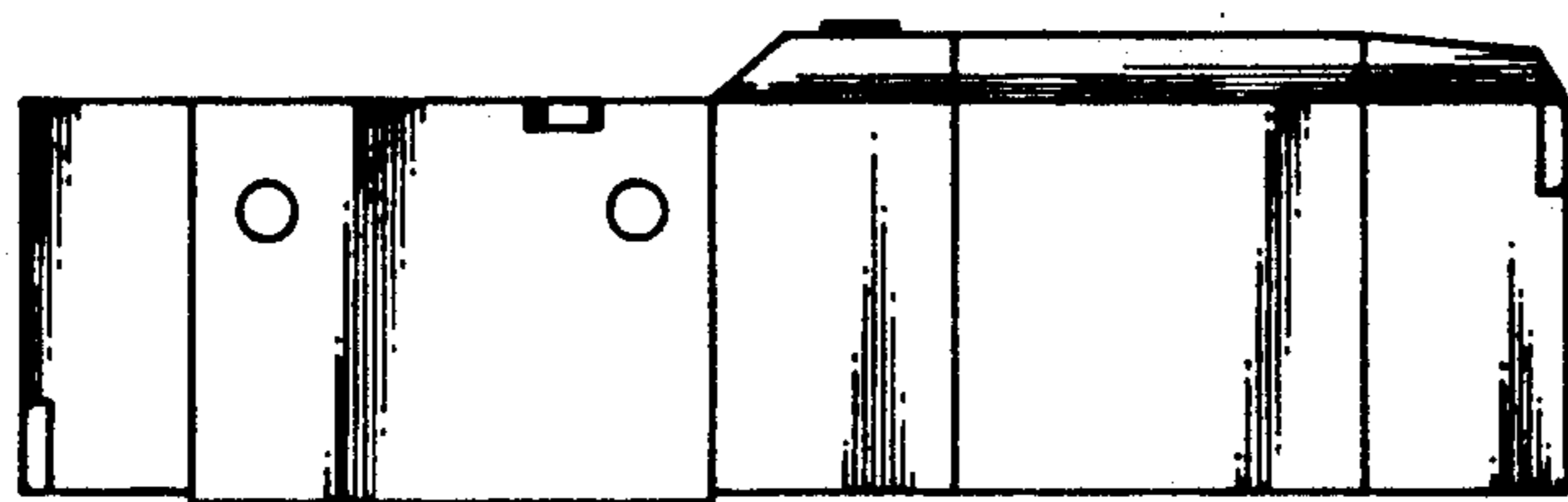


FIG. 2



FIG. 3

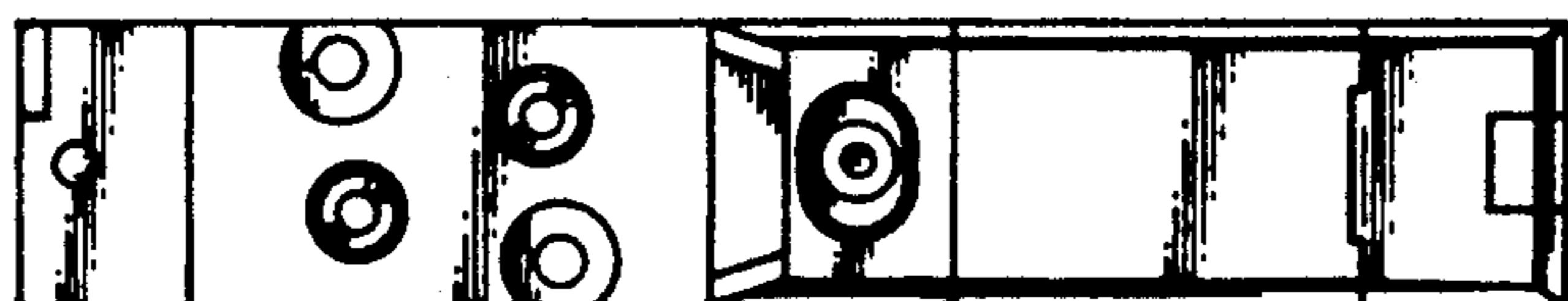


FIG. 4

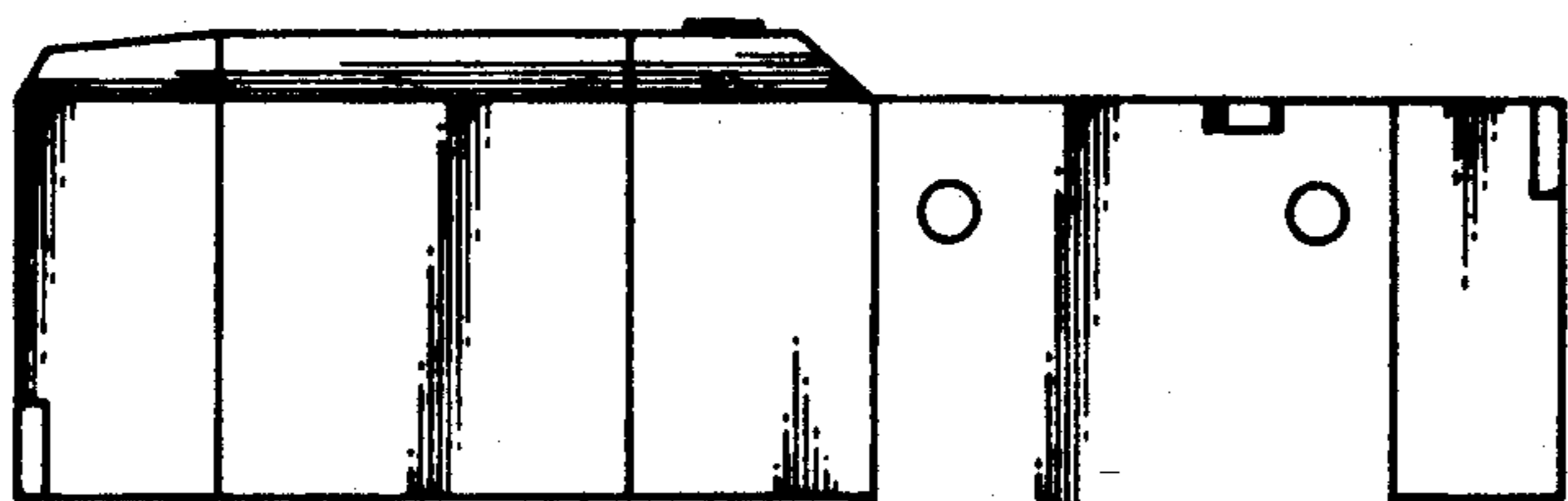


FIG. 5



FIG. 6

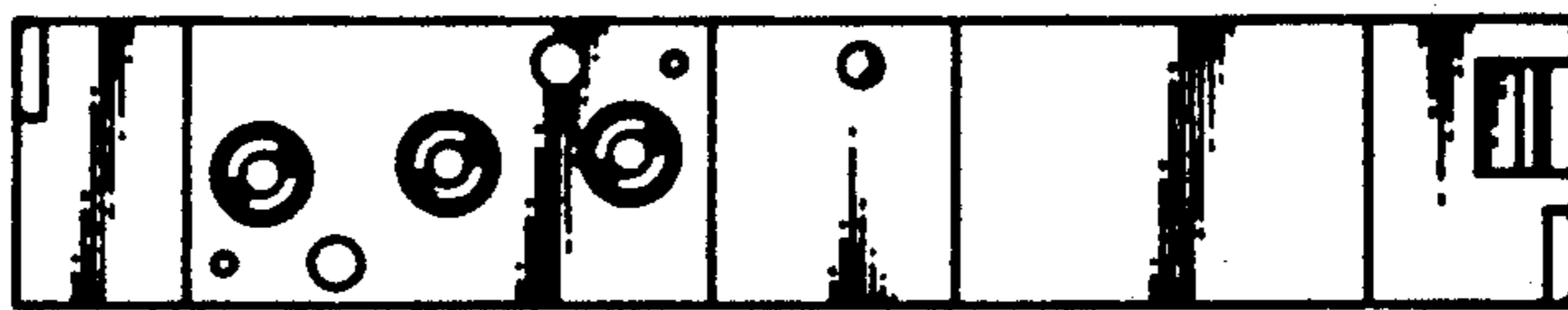


FIG. 7

