



US00D335170S

United States Patent [19]

[11] Patent Number: **Des. 335,170**

Hoogeveen, Jr.

[45] Date of Patent: **** Apr. 27, 1993**

[54] AIR BRUSH

D. 314,649	2/1991	Campbell, Jr. et al.	D23/223 X
D. 321,927	11/1991	Smith et al.	D23/226 X
D. 323,546	1/1992	Story	D23/225 X
2,694,602	11/1954	Tomasek	239/375 X

[75] Inventor: **James W. Hoogeveen, Jr., Griffith, Ind.**

[73] Assignee: **KOZ Bros. Toys, Ltd., Elmhurst, Ill.**

Primary Examiner—Wallace R. Burke
Assistant Examiner—M. H. Tung
Attorney, Agent, or Firm—Allegretti & Witcoff, Ltd.

[**] Term: **14 Years**

[21] Appl. No.: **676,329**

[57] **CLAIM**

[22] Filed: **Aug. 28, 1991**

The ornamental design for an air brush, as shown.

[52] U.S. Cl. **D23/223**

DESCRIPTION

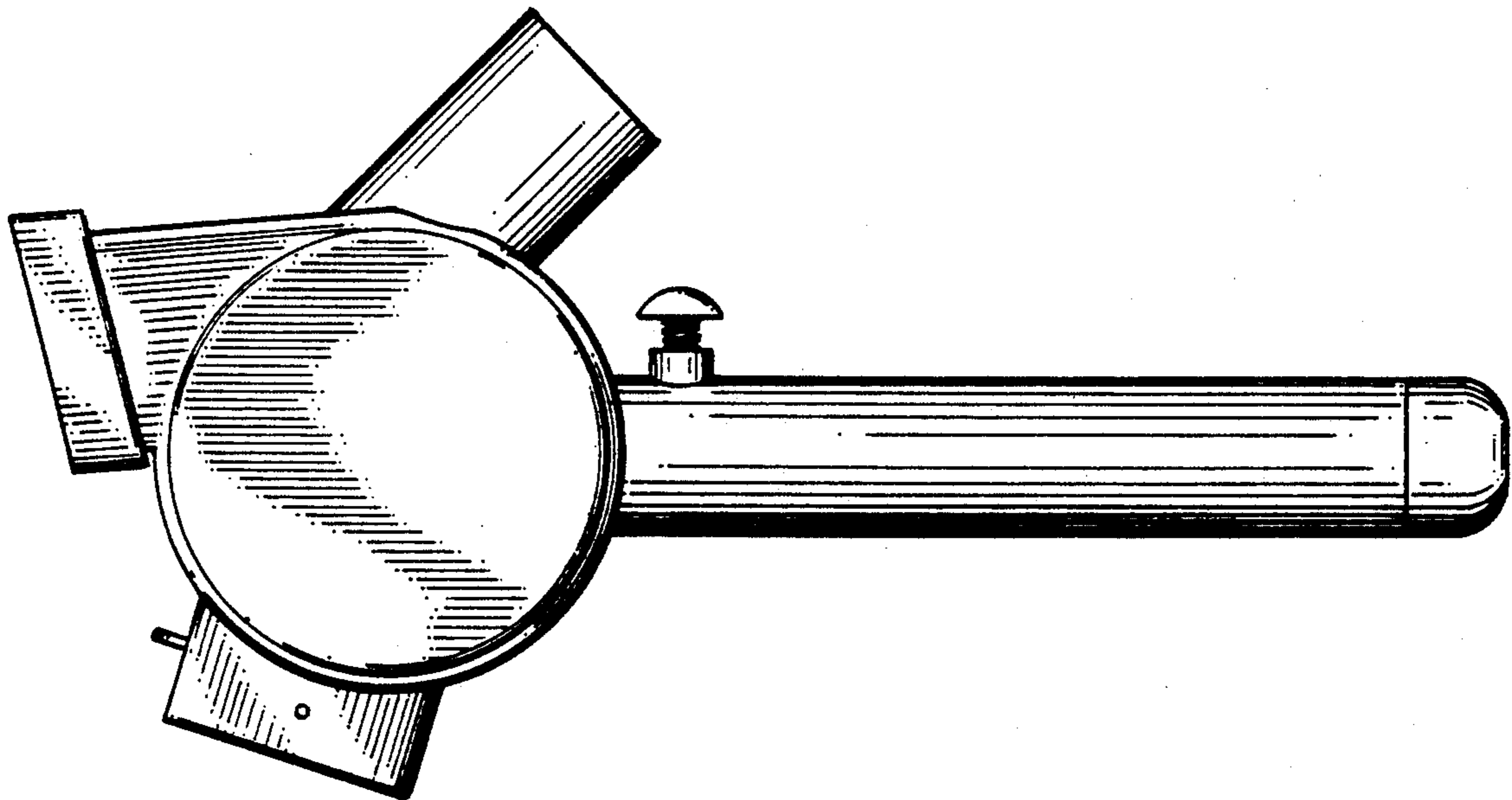
[58] Field of Search **D23/200, 213-214, D23/223, 225-230; 239/301, 332, 373, 394, 414-415, 525-528, 532, 554, 556**

FIG. 1 is a left side elevational view of an air brush showing my new design;
FIG. 2 is a right side elevational view thereof;
FIG. 3 is a top plan view thereof;
FIG. 4 is a bottom plan view thereof;
FIG. 5 is a front elevational view thereof; and,
FIG. 6 is a rear elevational view thereof.

[56] **References Cited**

U.S. PATENT DOCUMENTS

55,017 5/1920 Bailey **D23/226**



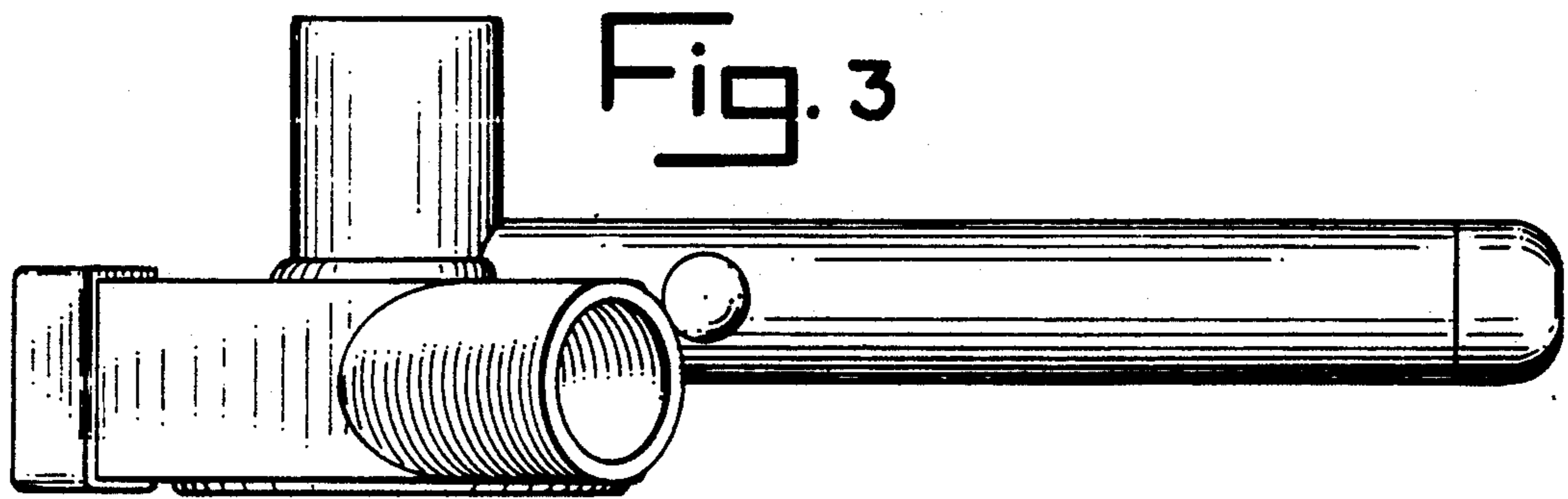
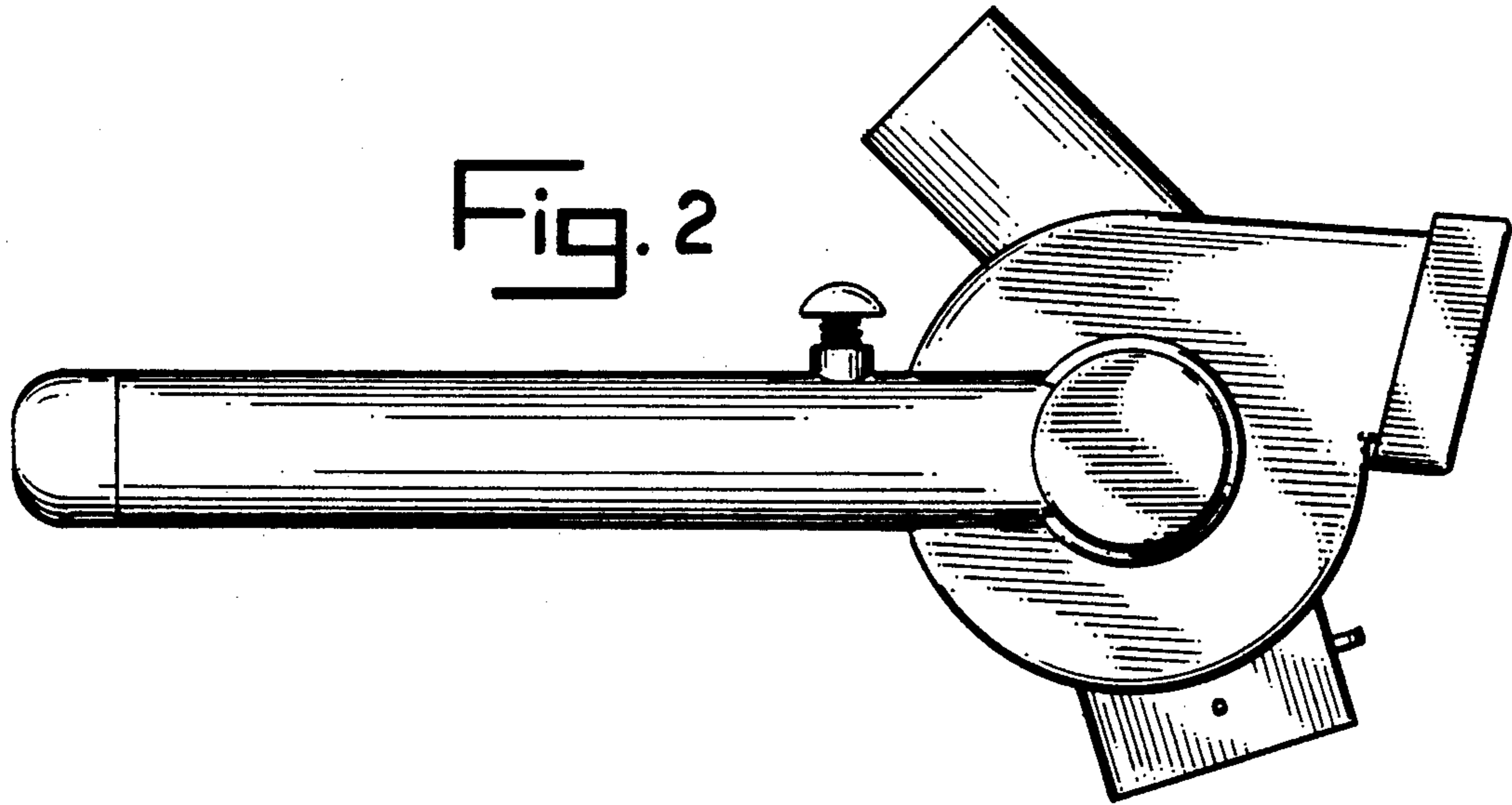
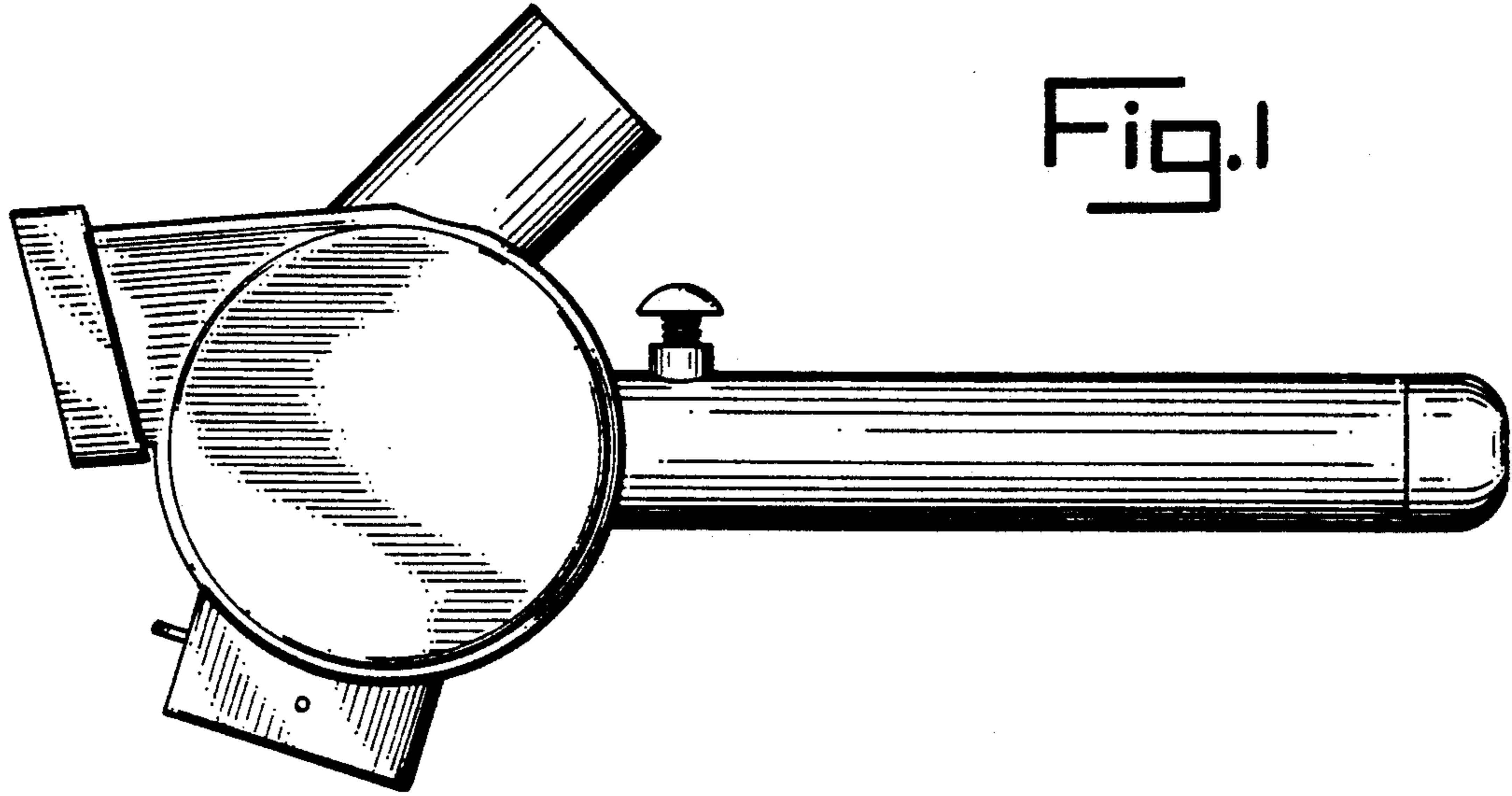


Fig.4

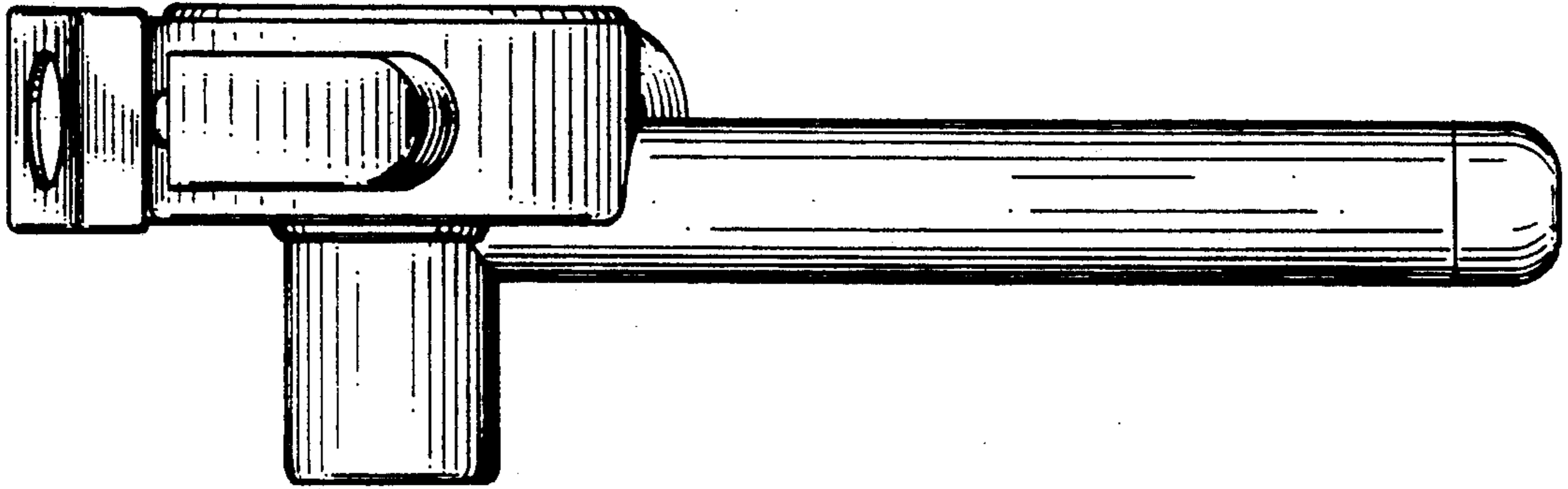


Fig.5

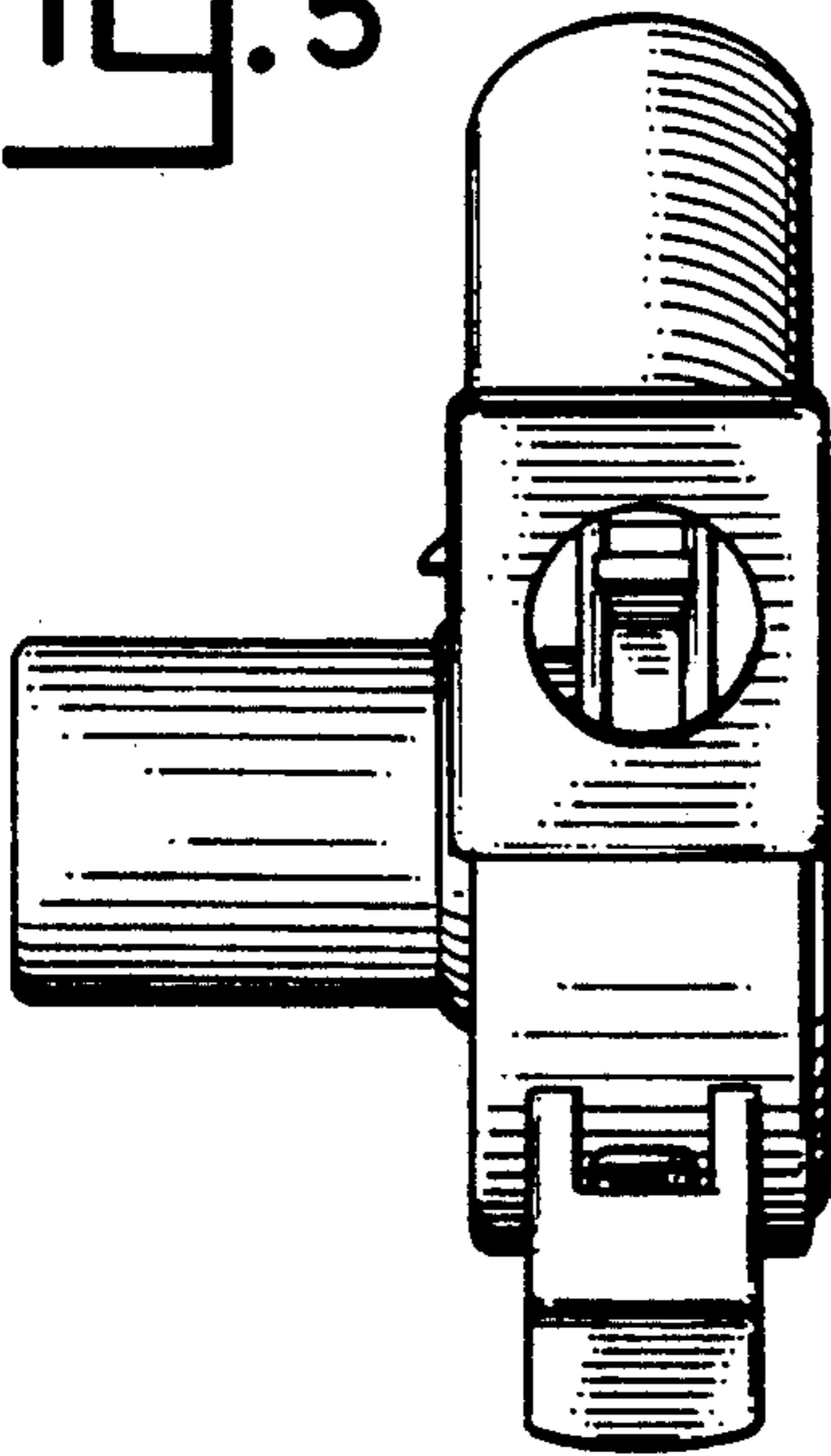
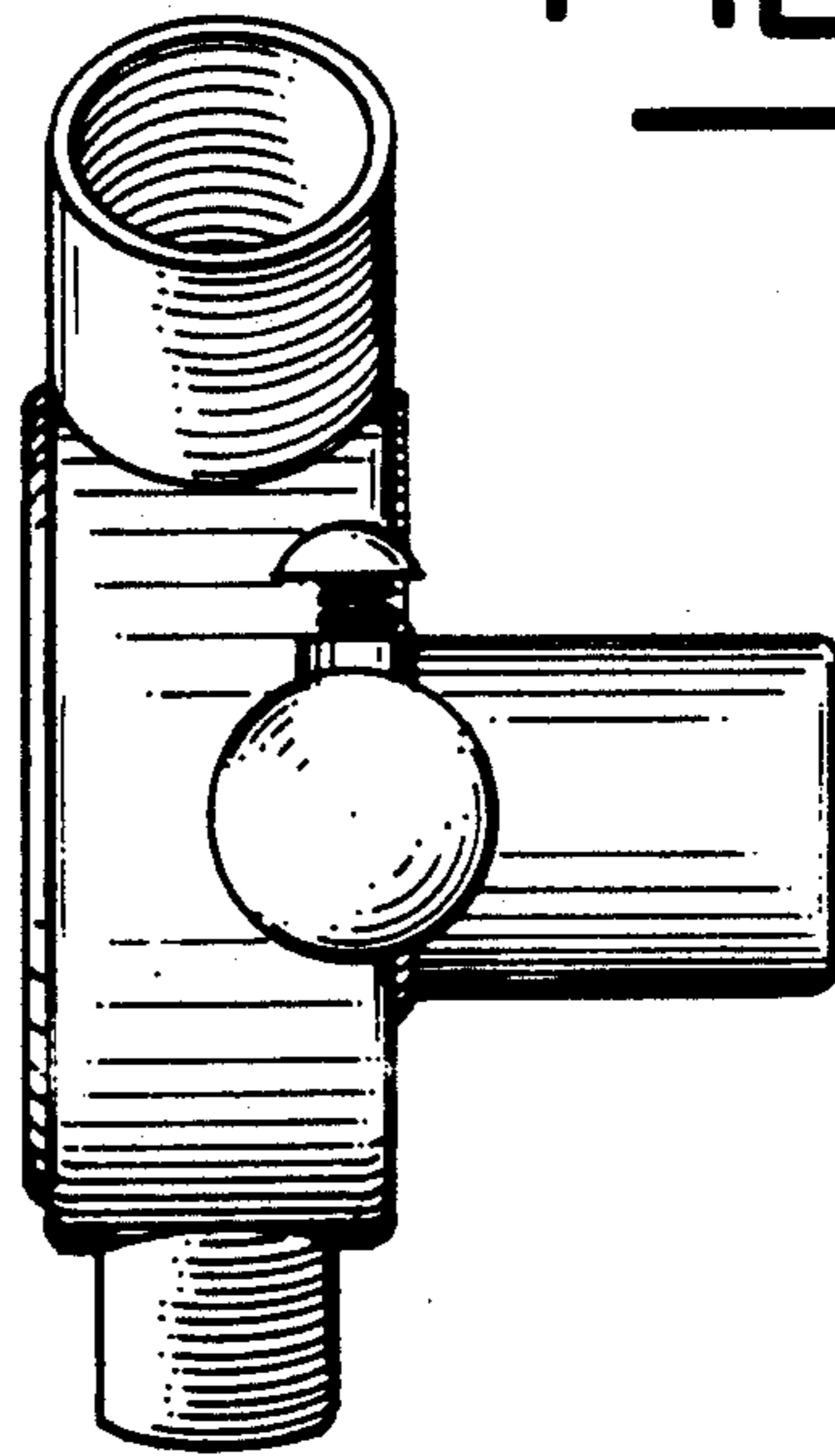


Fig.6



UNITED STATES PATENT AND TRADEMARK OFFICE
CERTIFICATE OF CORRECTION

PATENT NO. : Des. 335,170

DATED : April 27, 1993

INVENTOR(S) : James W. Hoogeveen, Jr.

It is certified that error appears in the above-identified patent and that said Letters Patent is hereby corrected as shown below:

On the Title page, item [22], under Application Data,
Change the filing date on face of patent from "August 28, 1991" to --March 28,
1991--.

Signed and Sealed this
Eleventh Day of January, 1994



Attest:

BRUCE LEHMAN

Attesting Officer

Commissioner of Patents and Trademarks