



US00D335166S

United States Patent [19]

[11] Patent Number: **Des. 335,166**

Johnston

[45] Date of Patent: **** Apr. 27, 1993**

[54] **COMBINED WOODTICK AND LEECH REMOVER**

[76] Inventor: **D'Wayne Johnston, 403 Eureka St., Wolf Point, Mont. 59201**

[**] Term: **14 Years**

[21] Appl. No.: **486,183**

[22] Filed: **Feb. 28, 1990**

[52] U.S. Cl. **D22/122; D22/119**

[58] Field of Search **D22/122; D24/144, 146; 606/42, 44, 45, 50, 51, 27-31, 131, 205, 211, 206, 210, 207; 119/87; D8/14.1; 294/99.2, 100, 99.1; 362/205, 206; 128/399, 355; 43/134, 144**

[56] **References Cited**

U.S. PATENT DOCUMENTS

D. 181,600	12/1957	Nilsson	D8/14.1
D. 240,277	6/1976	Staub	D24/144
1,422,826	7/1922	Brown	.	
2,176,479	10/1939	Willis	.	
2,376,448	5/1945	Neugass	606/211
2,451,994	10/1948	Towns	606/211 X
2,533,947	12/1950	Lipnicki	.	
2,894,512	7/1959	Tapper	.	
2,994,324	8/1961	Lemos	606/44

3,152,590	10/1964	Zurdo et al.	606/44
4,213,460	7/1980	Weiner	.	
4,408,263	10/1983	Sternlicht	362/206 X
4,442,837	4/1984	Keatley	606/131
4,976,718	12/1990	Daniell	294/99.2 X
4,979,771	12/1990	Childs, III	606/51 X
5,002,323	3/1991	Idsund	294/100

FOREIGN PATENT DOCUMENTS

234975	9/1987	European Pat. Off.	128/355
961259	11/1949	France	128/355
962256	12/1949	France	128/355

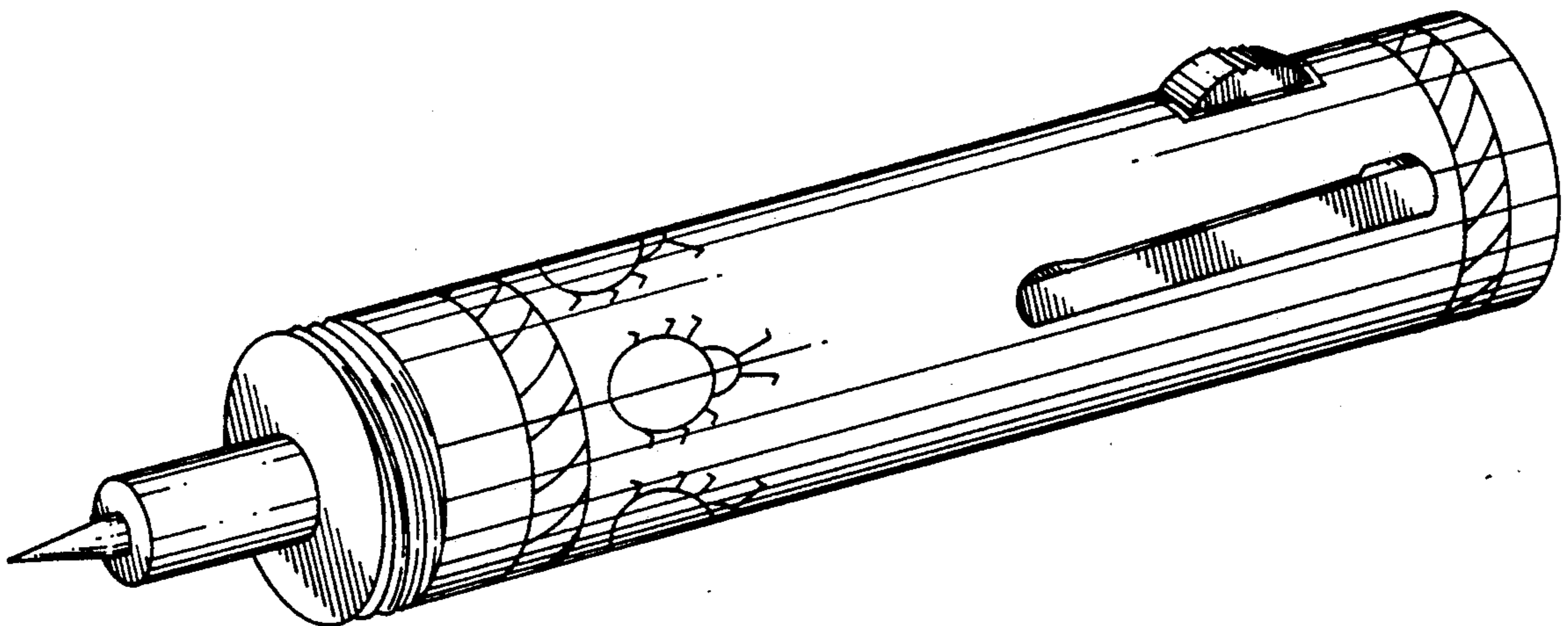
Primary Examiner—A. Hugo Word
Assistant Examiner—Doris V. Coles
Attorney, Agent, or Firm—Terry M. Gernstein

[57] **CLAIM**

The ornamental design for a combined woodtick and leech remover, as shown and described.

DESCRIPTION

FIG. 1 is a perspective view of a combined woodtick and leech remover, showing my new design;
FIG. 2 is a side elevational thereof, the opposite side being the same except for the switch;
FIG. 3 is a top plan view thereof; and,
FIG. 4 is a bottom view thereof.



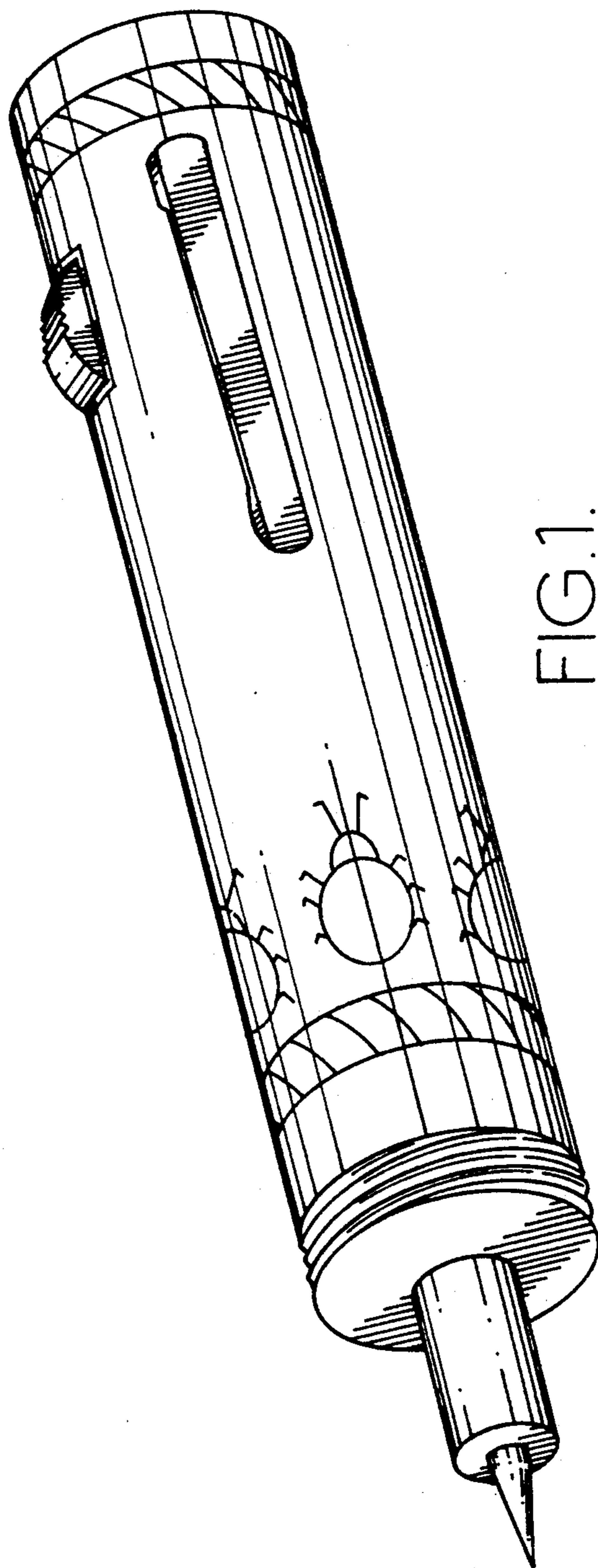


FIG. 1.

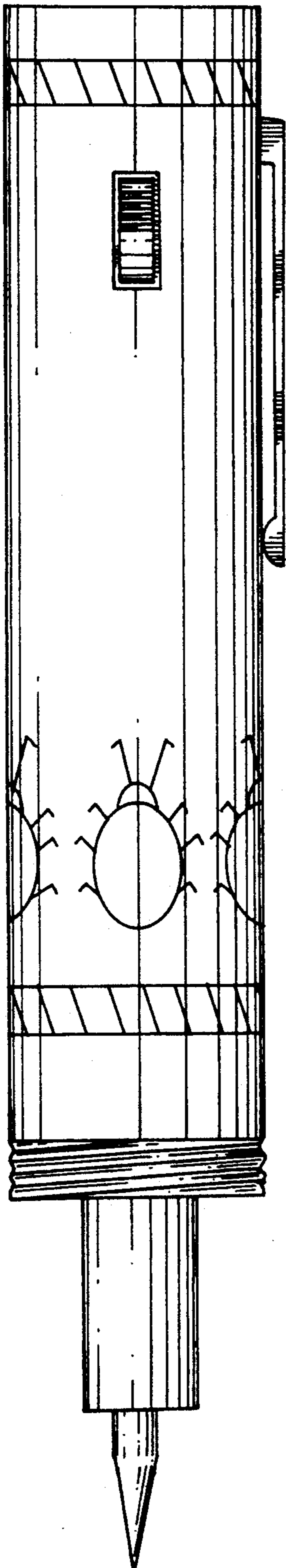


FIG. 2.

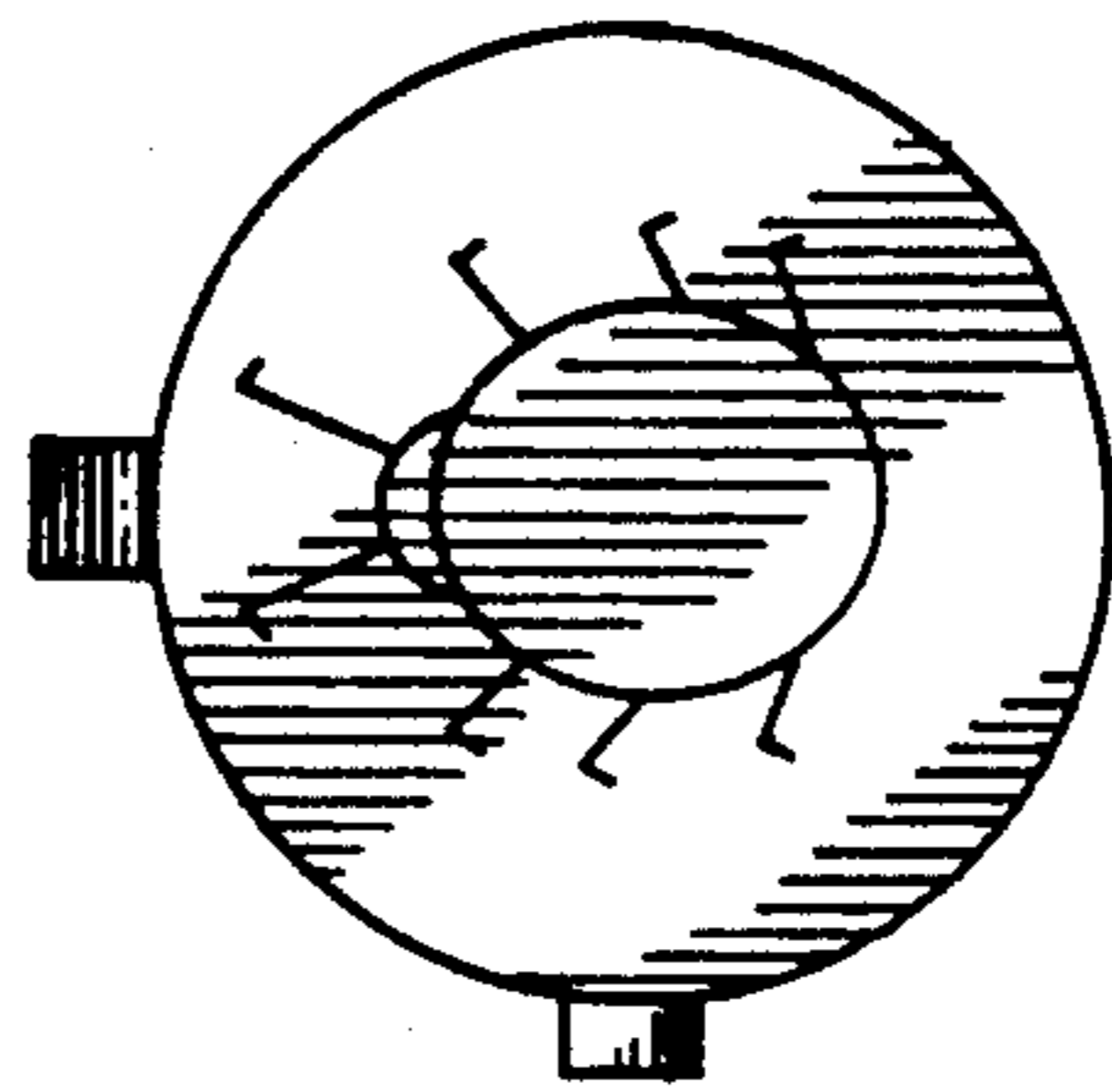


FIG. 4.

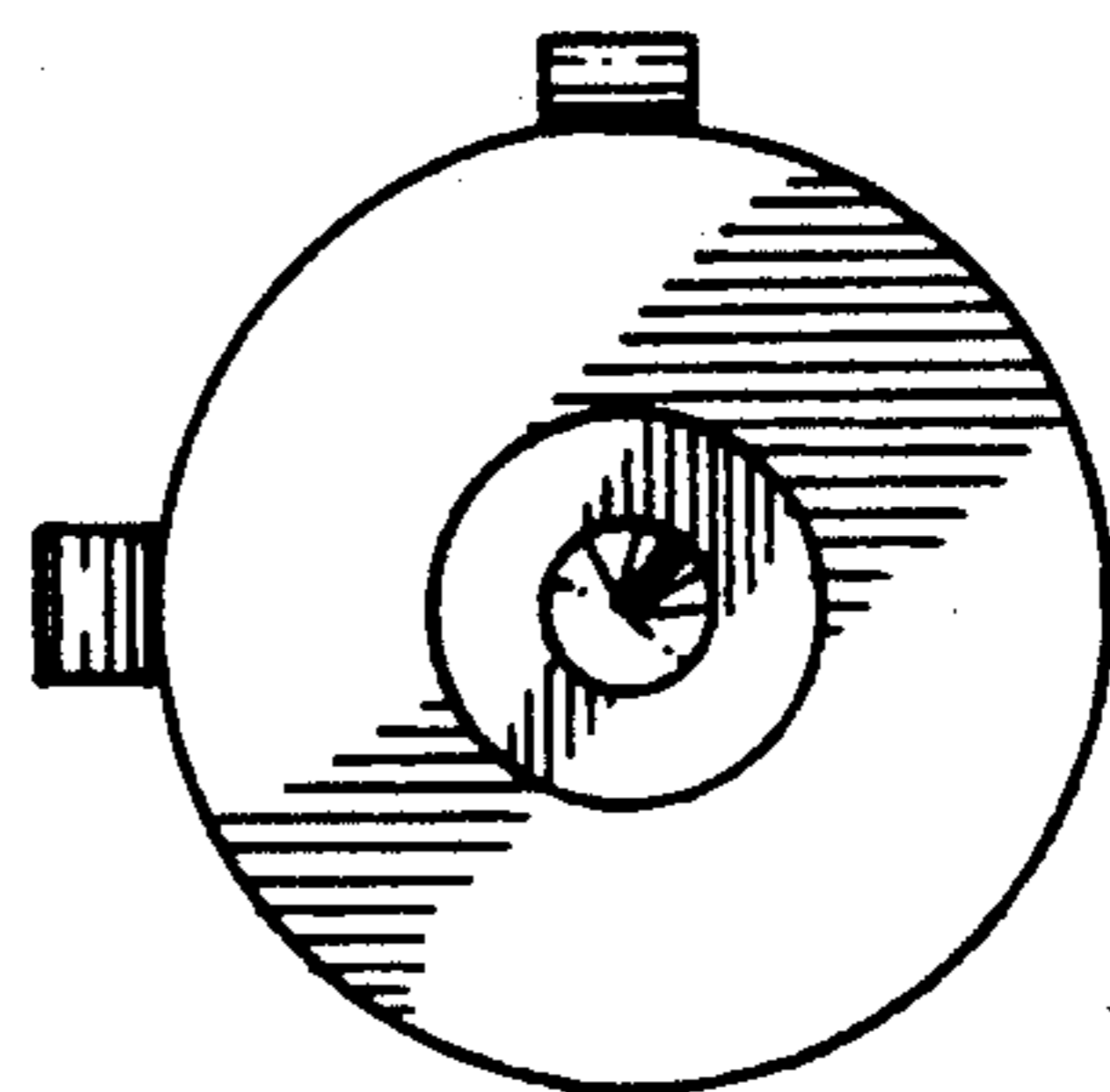


FIG. 3.