



US00D335159S

United States Patent [19]

[11] Patent Number: **Des. 335,159**

Olsen

[45] Date of Patent: **** Apr. 27, 1993**

- [54] **ELEMENT FOR A TOY BUILDING SET**
- [75] Inventor: **Flemming H. Olsen, Espergerde, Denmark**
- [73] Assignee: **Interlego A.G., Baar, Switzerland**
- [**] Term: **14 Years**
- [21] Appl. No.: **789,131**
- [22] Filed: **Nov. 6, 1991**
- [52] U.S. Cl. **D21/108**
- [58] Field of Search **D21/108, 124; 446/102, 446/103, 120, 124, 125, 128**

3,869,589 3/1975 Hundstad D21/108
 4,582,447 4/1986 Itoh 446/125

Primary Examiner—Bernard Ansher
Assistant Examiner—R. Barkai
Attorney, Agent, or Firm—Kane, Dalsimer, Sullivan, Kurucz, Levy, Eisele and Richard

[57] CLAIM

The ornamental design for an element for a toy building set, as shown and described.

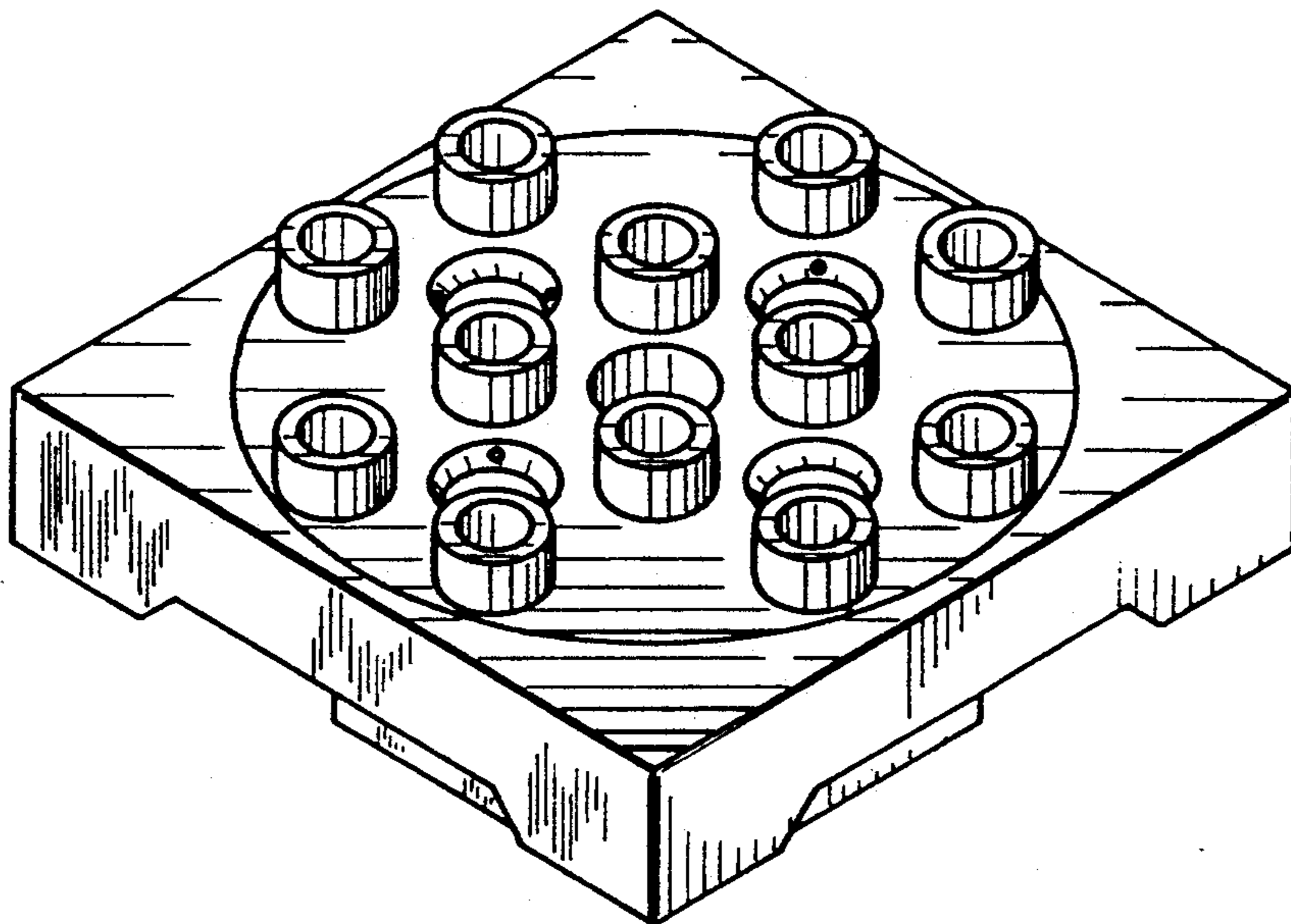
DESCRIPTION

FIG. 1 is a top perspective view of the element for a toy building set showing my new design;
 FIG. 2 is a bottom perspective view thereof;
 FIG. 3 is a front elevational view thereof, the rear being identical;
 FIG. 4 is a side elevational view thereof, the other side being identical;
 FIG. 5 is a top plan view thereof;
 FIG. 6 is a bottom plan view thereof; and,
 FIG. 7 is a top plan view thereof in an alternative position.

[56] References Cited

U.S. PATENT DOCUMENTS

D. 297,033	8/1988	Yamada	D21/108
D. 305,442	1/1990	Knudsen	D21/108
D. 309,927	8/1990	Ryaa	D21/108
D. 311,936	11/1990	Andersen	D21/108
D. 326,877	6/1992	Andersen	D21/108
3,442,044	5/1969	Quercetti	446/124
3,461,601	8/1969	Kristiansen	D21/108
3,624,955	12/1971	Matsubayshi	446/128



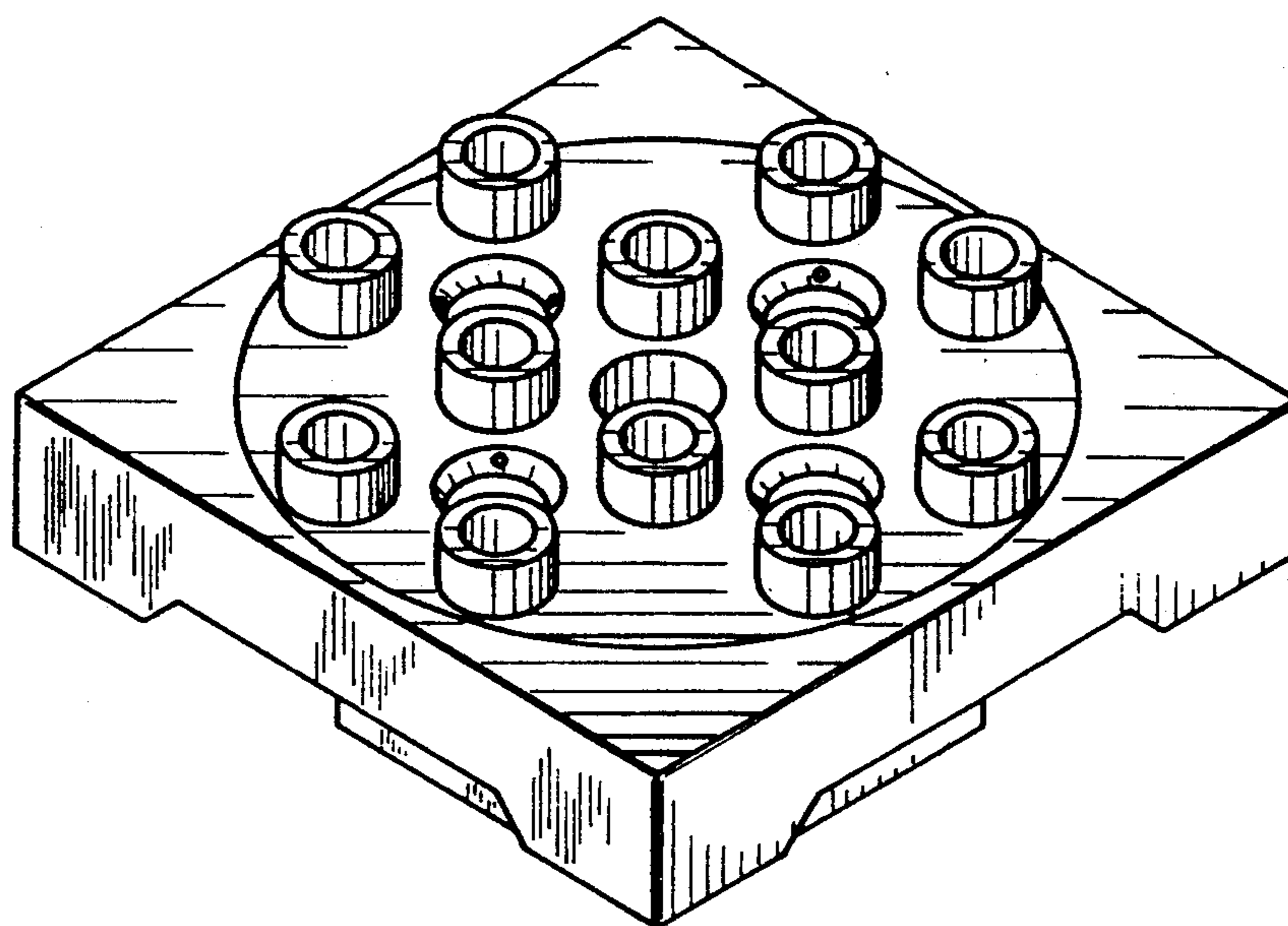


FIG. 1

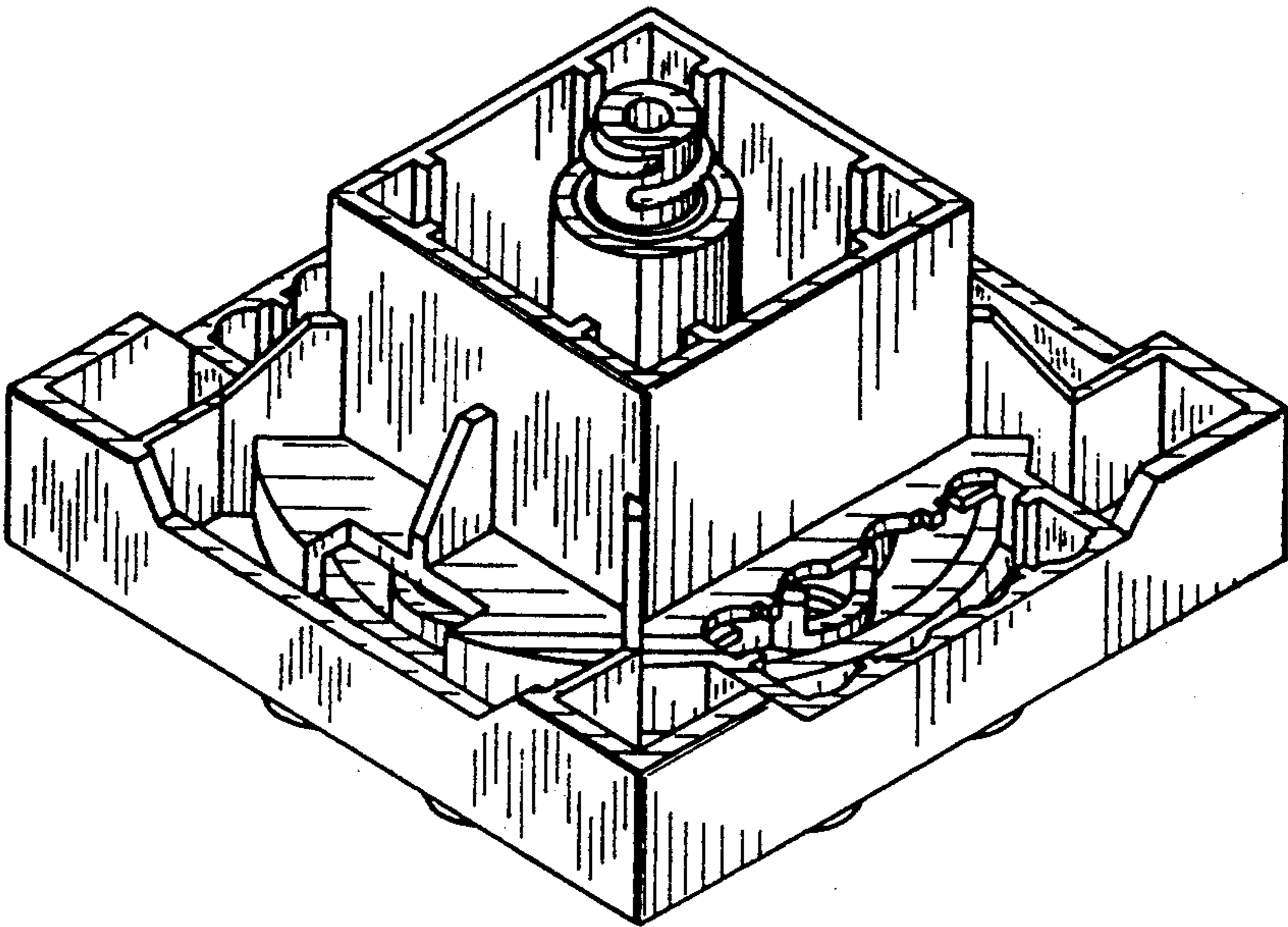


FIG. 2

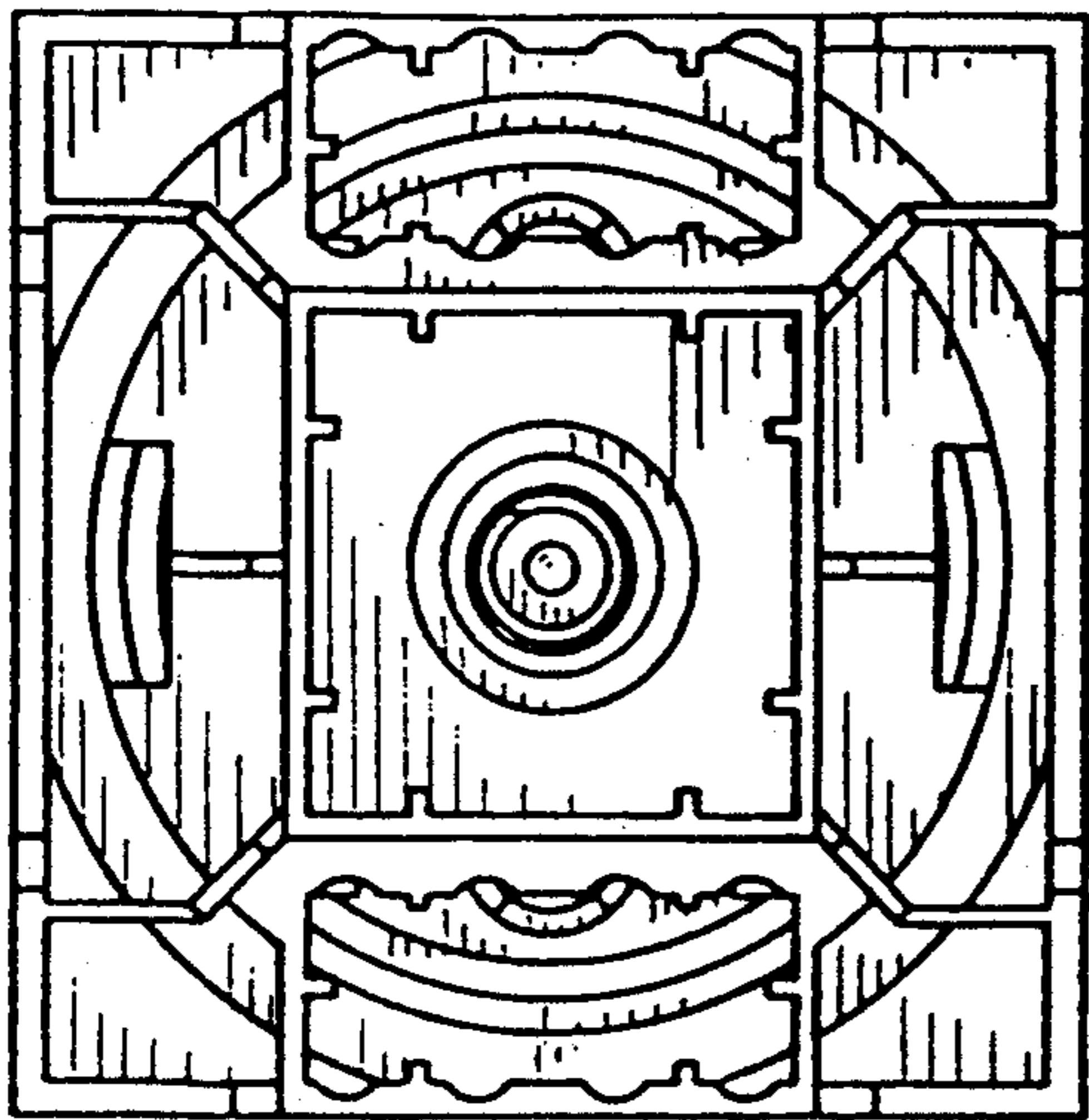


FIG. 6

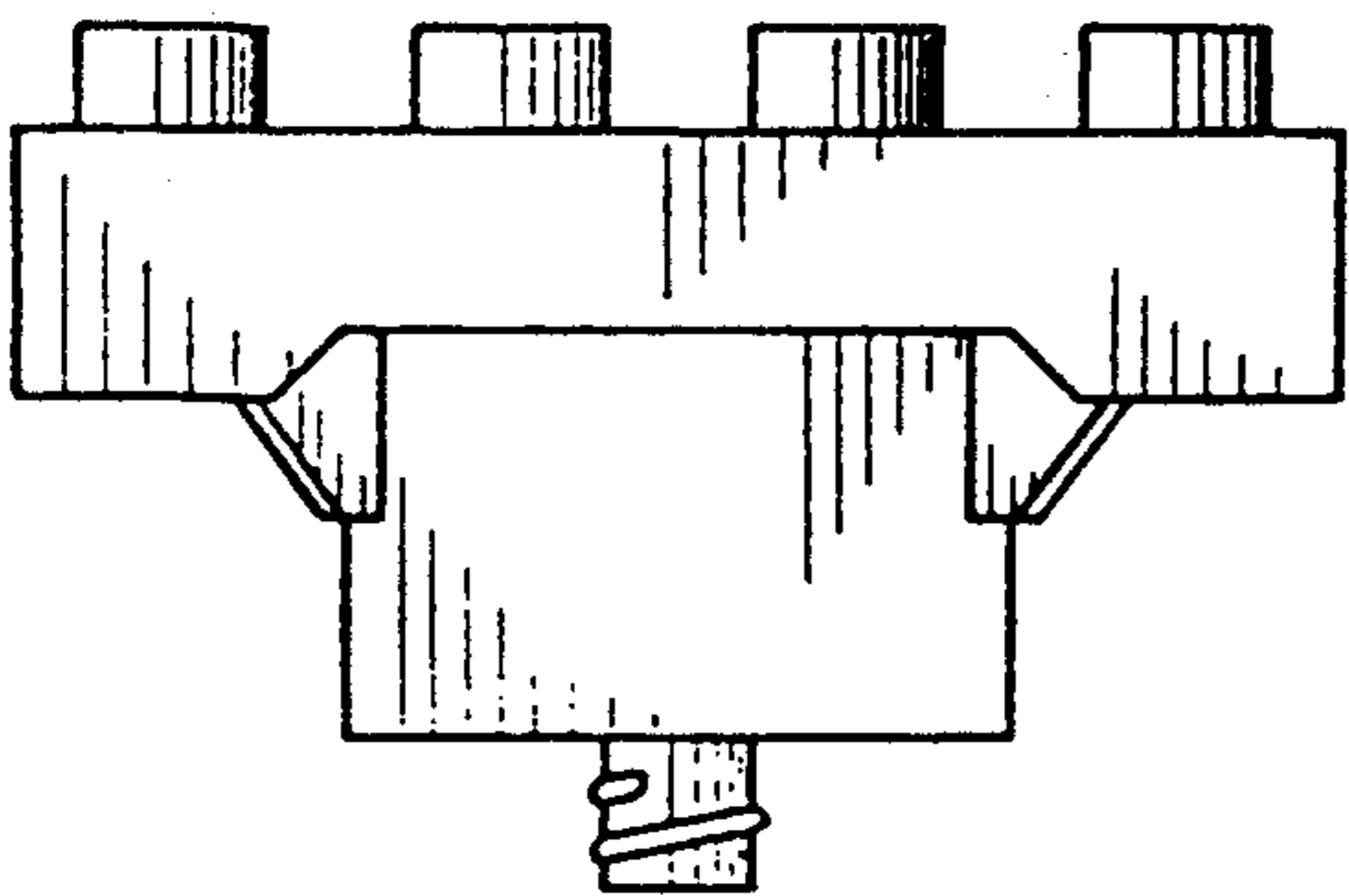


FIG. 4

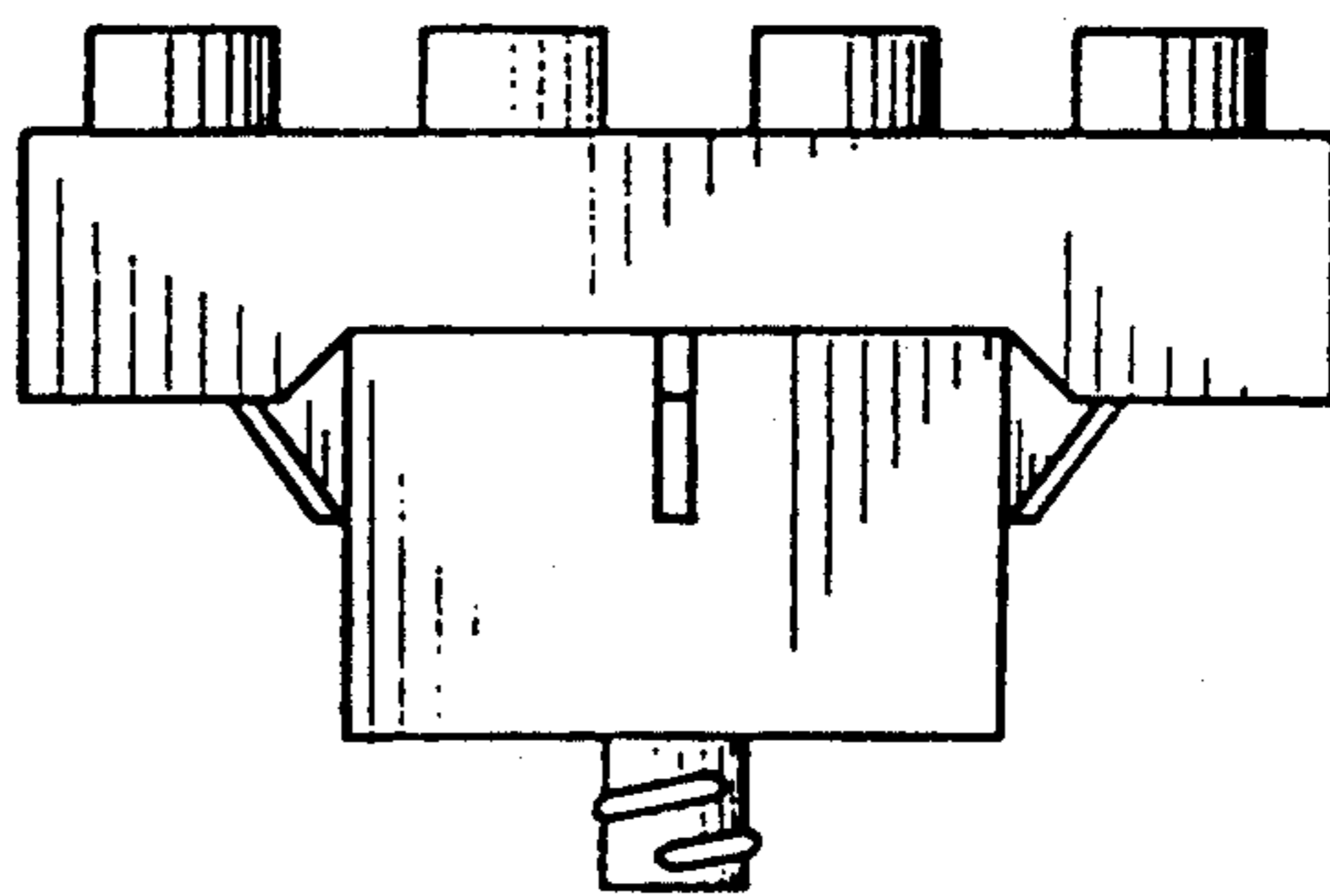


FIG. 3

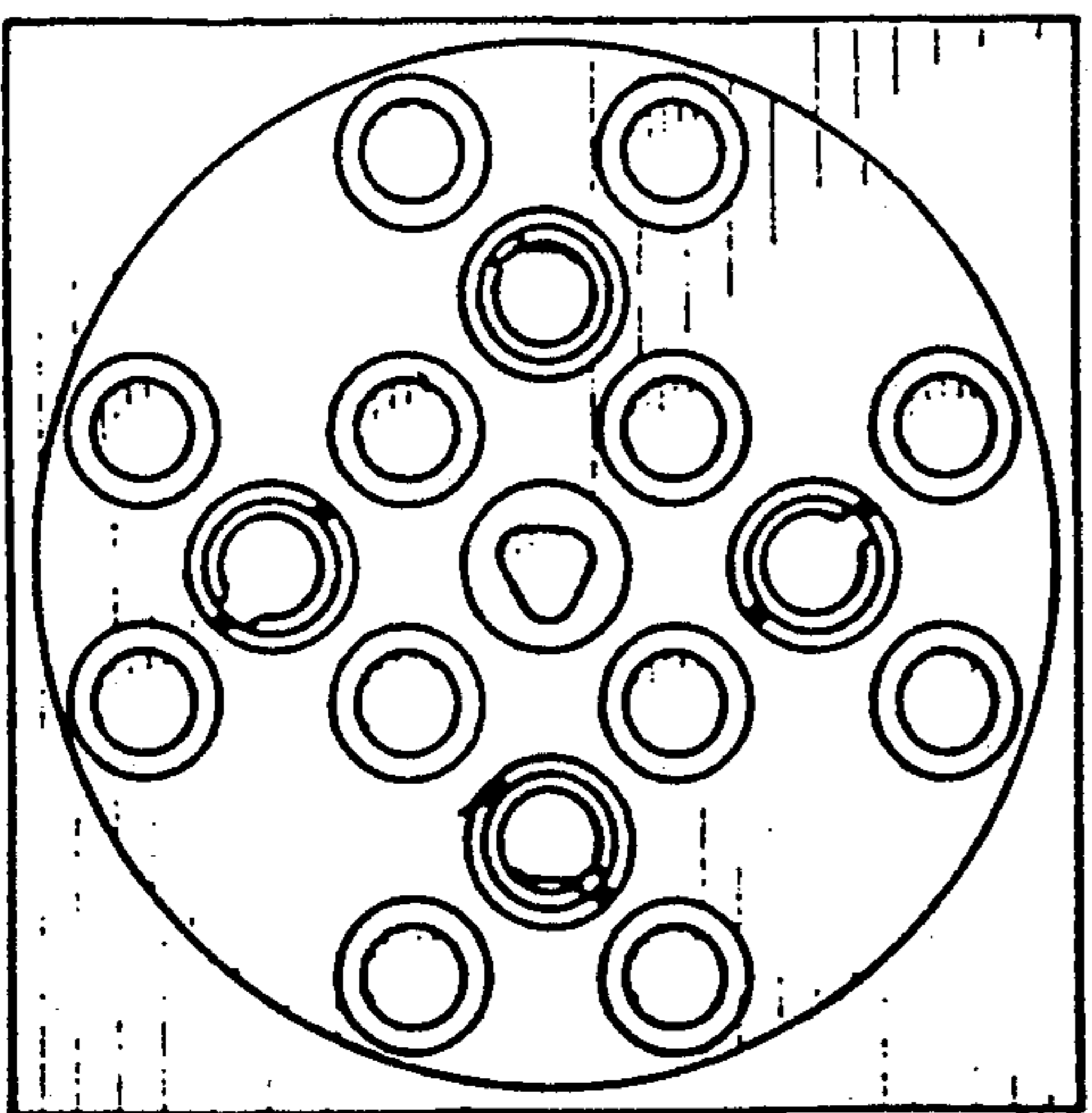


FIG. 5

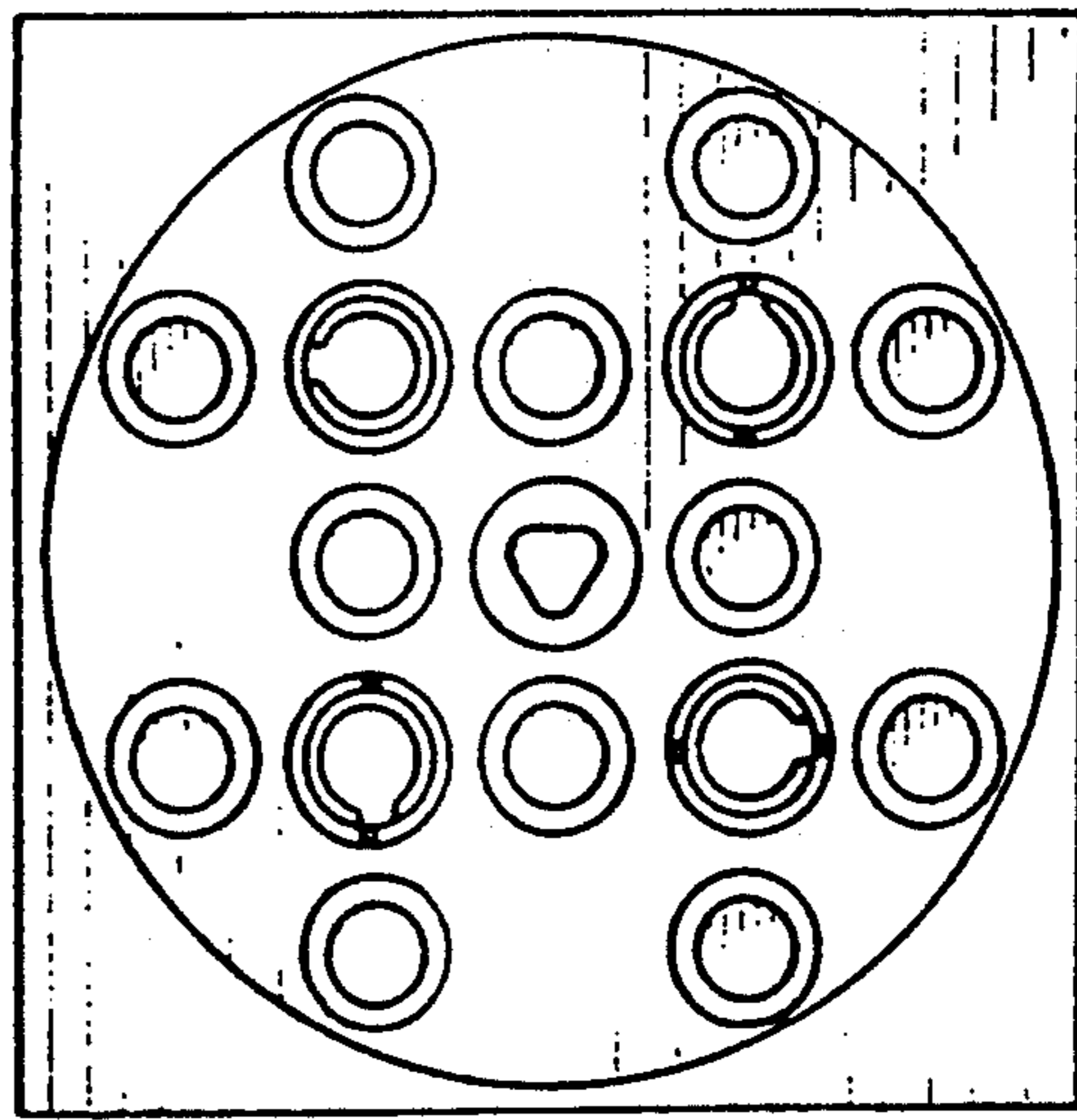


FIG. 7