



US00D335155S

# United States Patent [19] Pedersen

[11] Patent Number: **Des. 335,155**

[45] Date of Patent: **\*\* Apr. 27, 1993**

[54] **ELEMENT FOR A TOY BUILDING SET**

4,164,091 8/1979 Lin ..... 446/124  
4,547,160 10/1985 Labelle ..... 446/103

[75] Inventor: **Niels M. Pedersen, Århus C, Denmark**

*Primary Examiner*—Bernard Ansher

*Assistant Examiner*—R. Barkai

[73] Assignee: **Interlego A.G., Baar, Switzerland**

*Attorney, Agent, or Firm*—Kane, Dalsimer, Sullivan, Kurucz, Levy, Eisele and Richard

[\*\*] Term: **14 Years**

[57] **CLAIM**

[21] Appl. No.: **789,112**

The ornamental design for an element for a toy building set, as shown and described.

[22] Filed: **Nov. 6, 1991**

[52] U.S. Cl. .... **D21/108**

[58] Field of Search ..... **D21/108, 124; 446/102, 446/103, 120, 124, 125, 128**

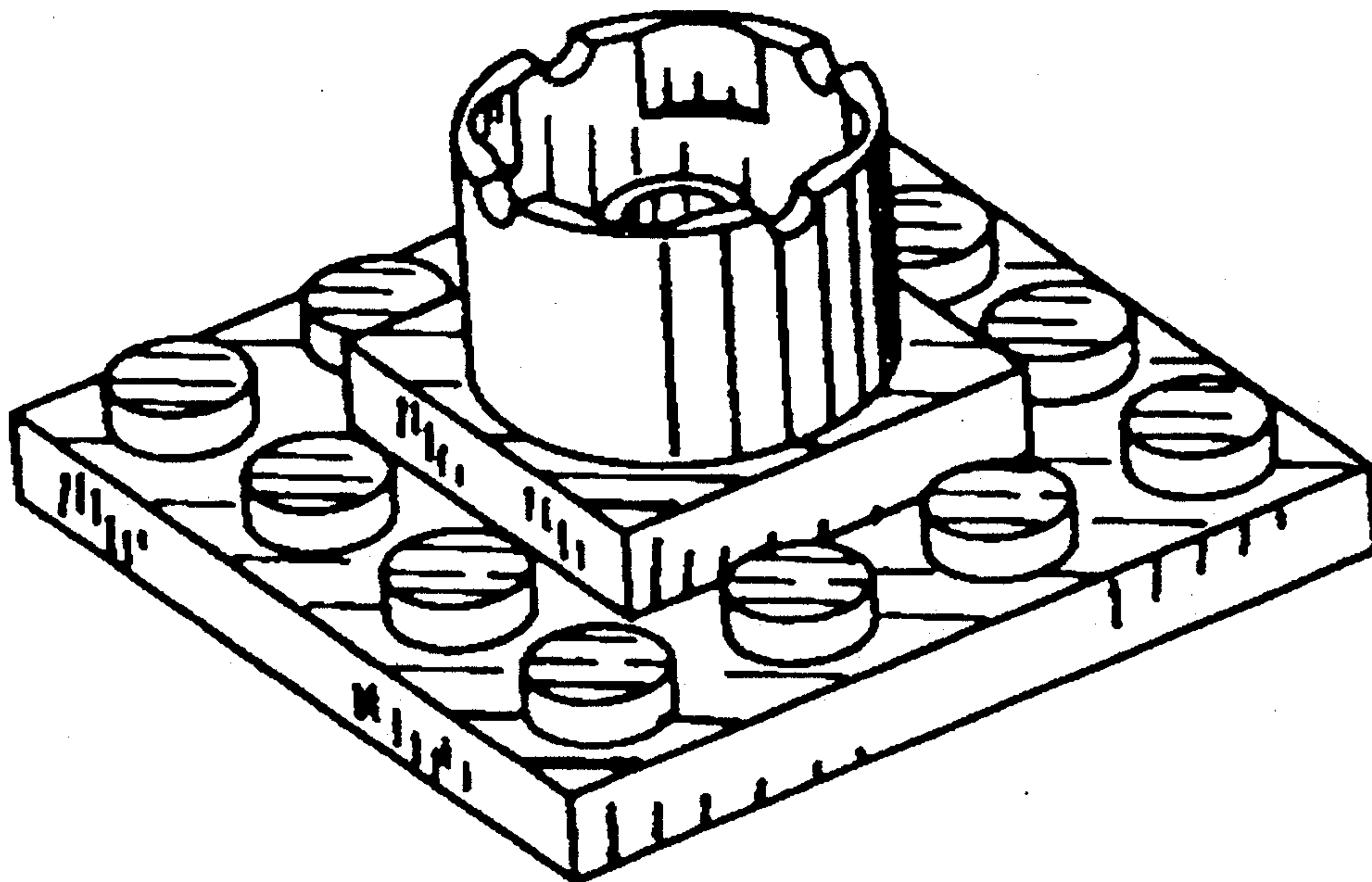
**DESCRIPTION**

[56] **References Cited**

**U.S. PATENT DOCUMENTS**

D. 297,033	8/1988	Yamada	.....	D21/108
D. 309,927	8/1990	Ryaa	.....	D21/108
D. 311,935	11/1990	Andersen	.....	D21/108
D. 314,995	2/1991	Pouisen	.....	D21/108
3,442,044	5/1969	Quercetti	.....	446/124

FIG. 1 is a top perspective view of the element for a toy building set showing my new design;  
FIG. 2 is a bottom perspective view thereof;  
FIG. 3 is a front elevational view thereof;  
FIG. 4 is a side elevational view thereof, the other side being identical;  
FIG. 5 is a rear elevational view thereof;  
FIG. 6 is a top plan view thereof; and,  
FIG. 7 is a bottom plan view thereof.



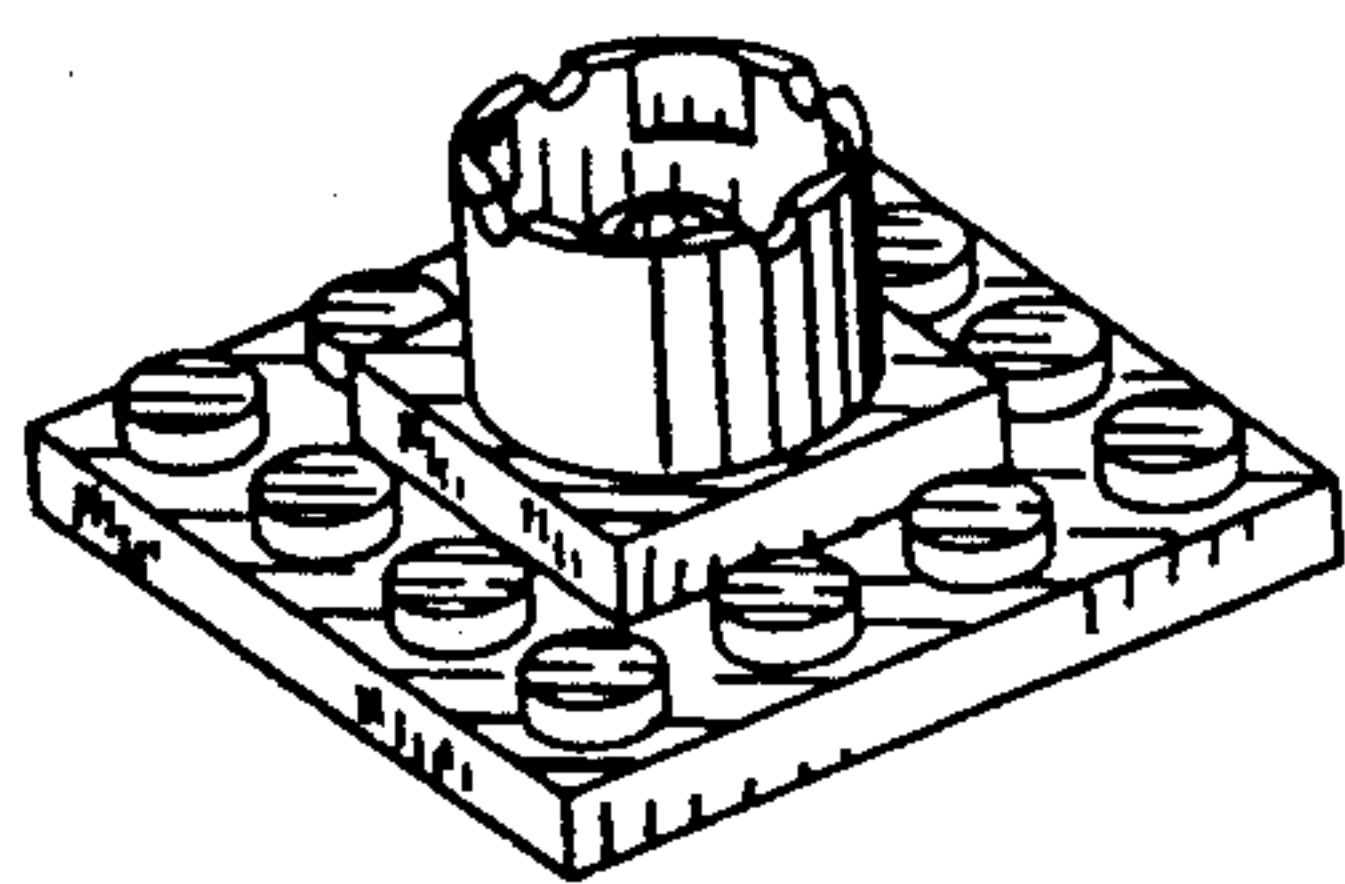


FIG. 1

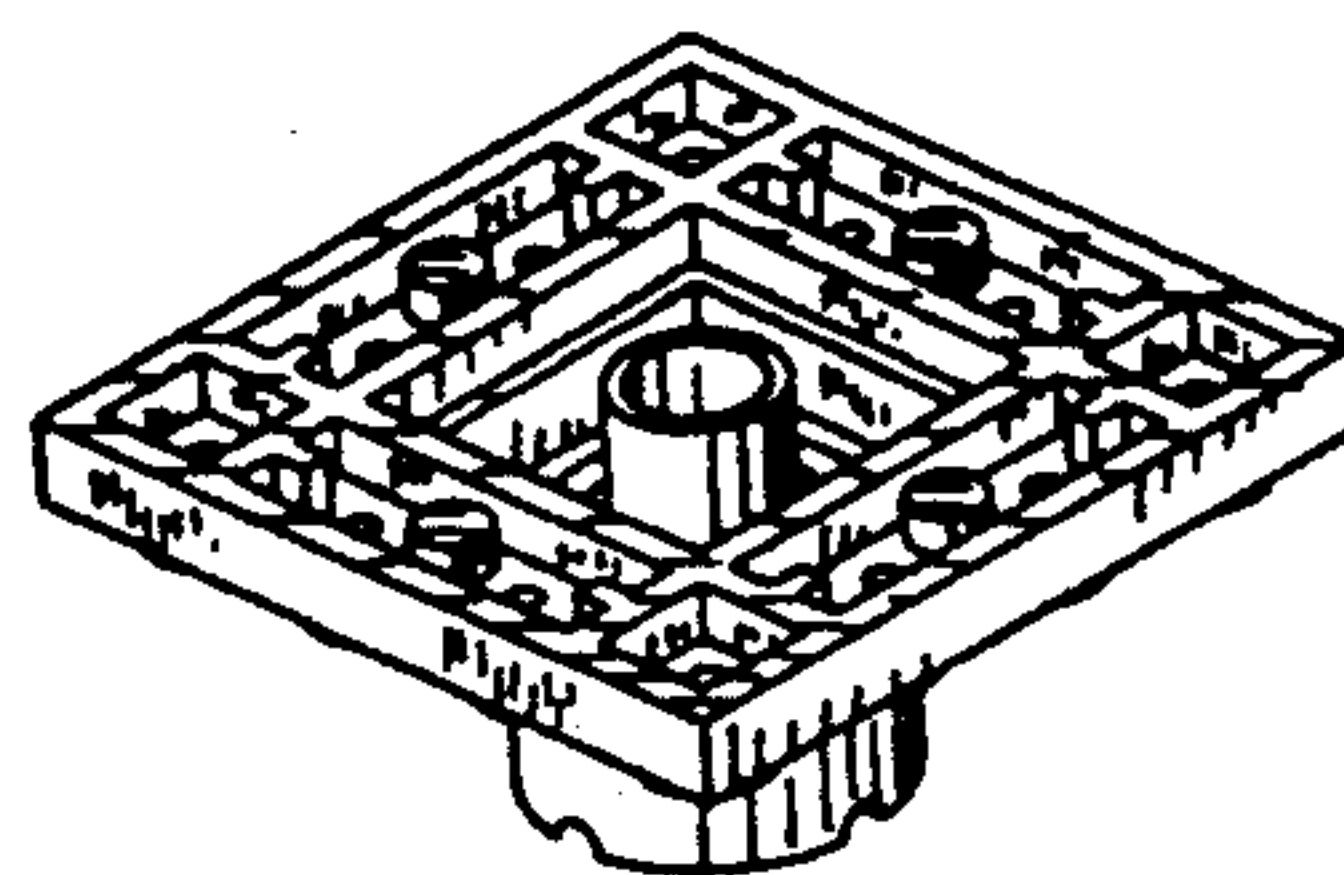


FIG. 2

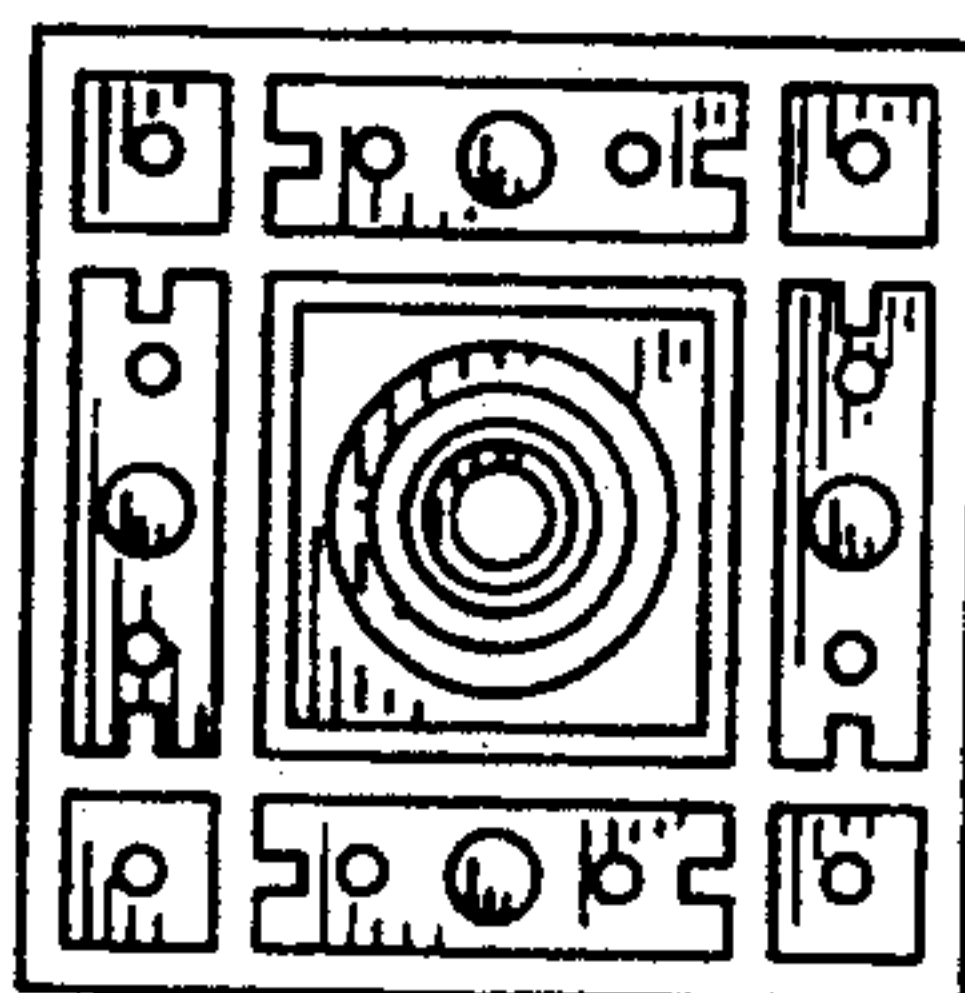


FIG. 7

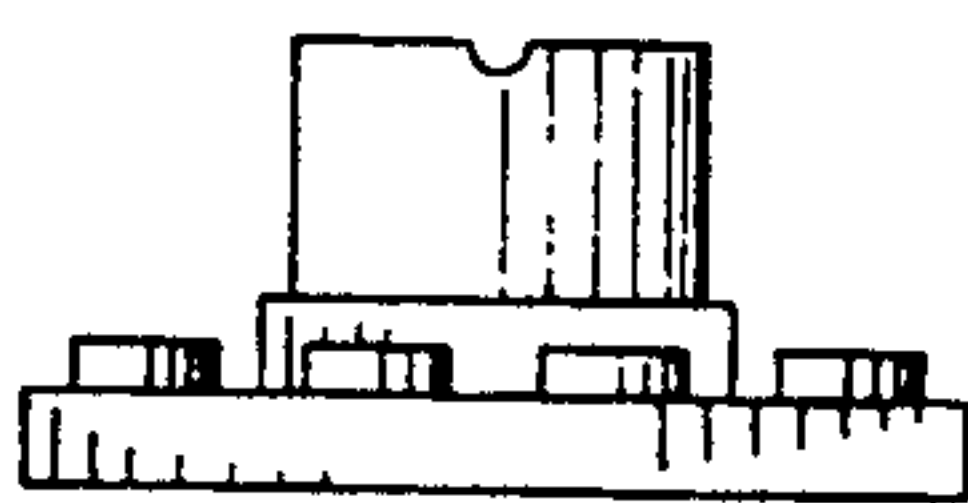


FIG. 5

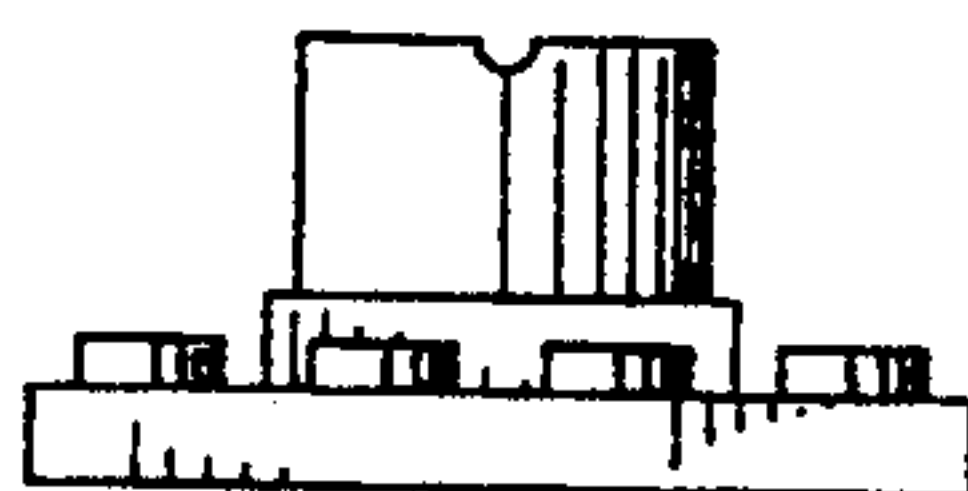


FIG. 4

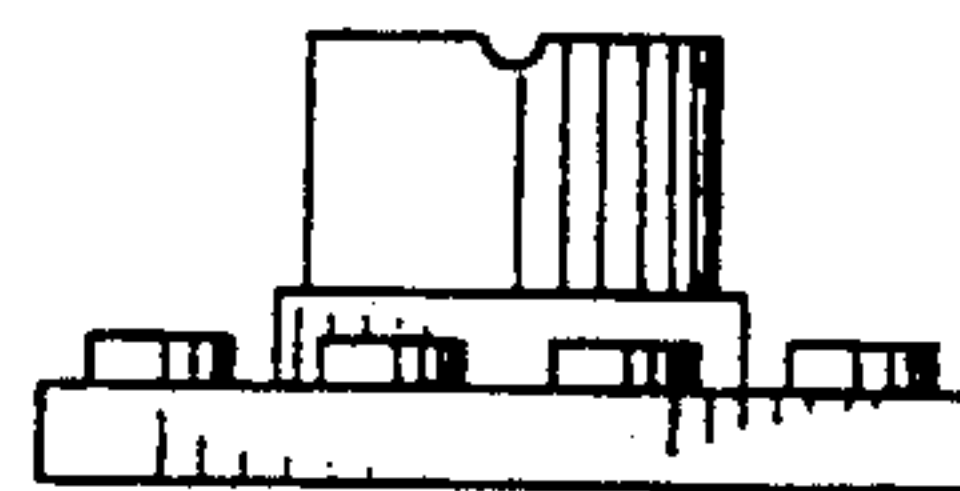


FIG. 3

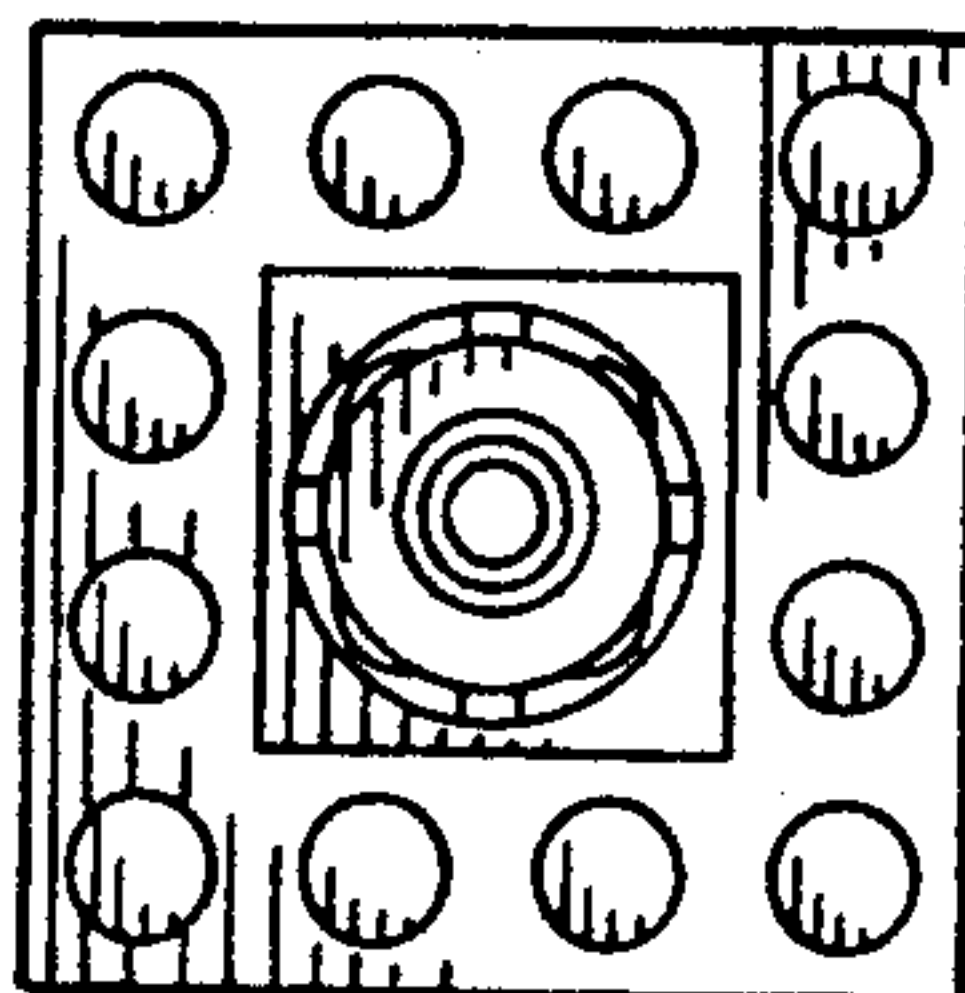


FIG. 6