



US00D335152S

United States Patent [19]
Hollrah

[11] **Patent Number: Des. 335,152**
[45] **Date of Patent: ** Apr. 27, 1993**

[54] **HOLDER FOR JIGSAW PUZZLES**

[76] **Inventor: Paul R. Hollrah, Cedar Crest Club,
Rte. 2, Box 879, Locust Grove, Okla.
74352**

[**] **Term: 14 Years**

[21] **Appl. No.: 584,890**

[22] **Filed: Sep. 19, 1990**

[52] **U.S. Cl. D21/104**

[58] **Field of Search D21/104, 107;
273/153 R, 153 S, 160; 428/33**

[56] **References Cited**

U.S. PATENT DOCUMENTS

- D. 271,595 11/1983 Yokoi D21/104
- D. 272,840 2/1984 Matsumoto D21/104
- D. 277,492 2/1985 Lockhart D21/104
- 3,792,668 2/1974 Ward 273/157 R X

OTHER PUBLICATIONS

The Great International Puzzle Store Catalog; 1984; p. 15 Puzzle Caddy.

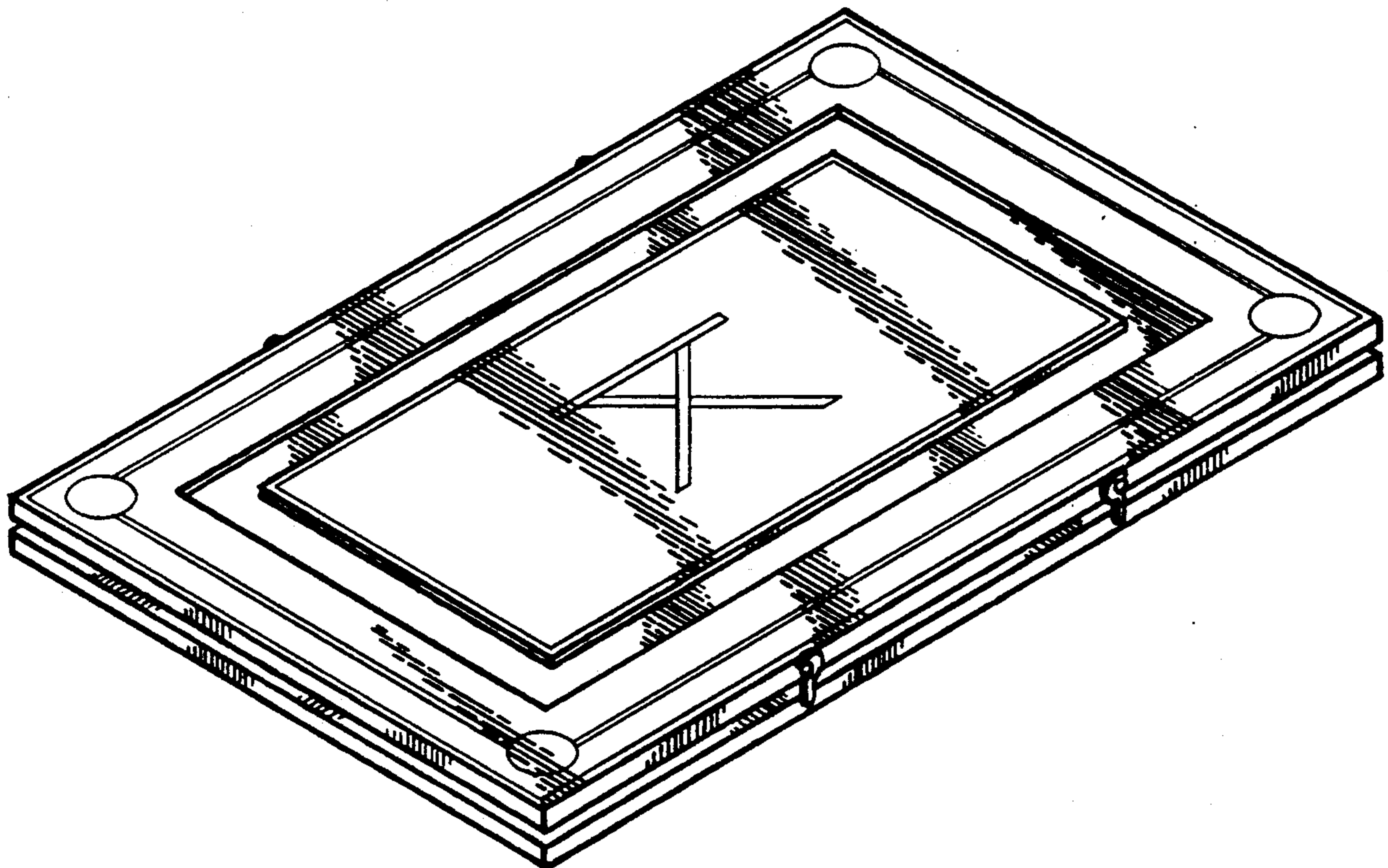
Primary Examiner—Bernard Ansher
Assistant Examiner—Dominic Simone
Attorney, Agent, or Firm—Terry M. Gernstein

[57] **CLAIM**

The ornamental design for a holder for jigsaw puzzle, as shown and described.

DESCRIPTION

FIG. 1 is a perspective view of a holder for jigsaw puzzles showing my new design; FIG. 2 is a top plan view thereof; FIG. 3 is a bottom view thereof; FIG. 4 is a side elevational view, the opposite side being a mirror image; FIG. 5 is an end view thereof; and, FIG. 6 is an end view thereof.



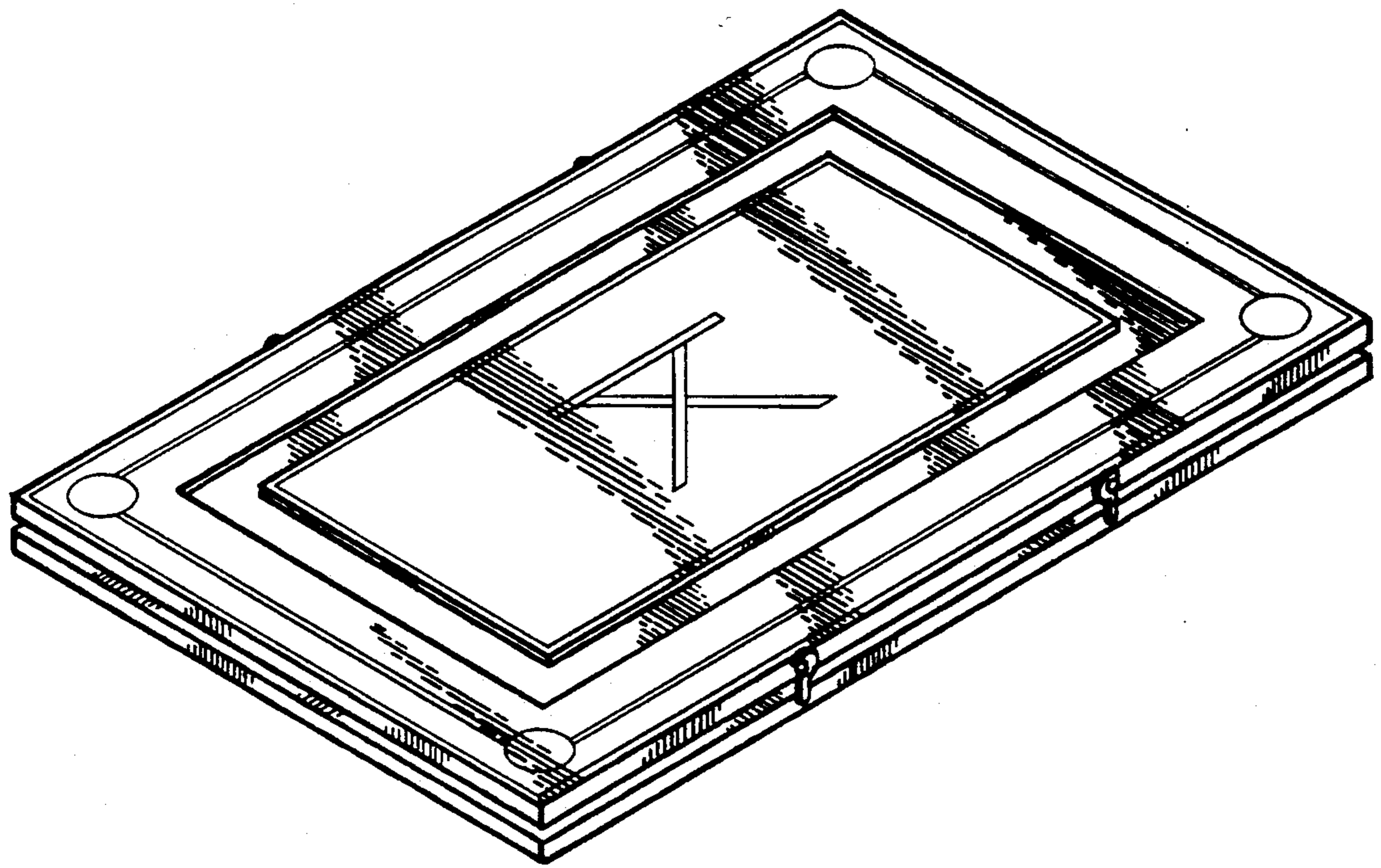


FIG. 1

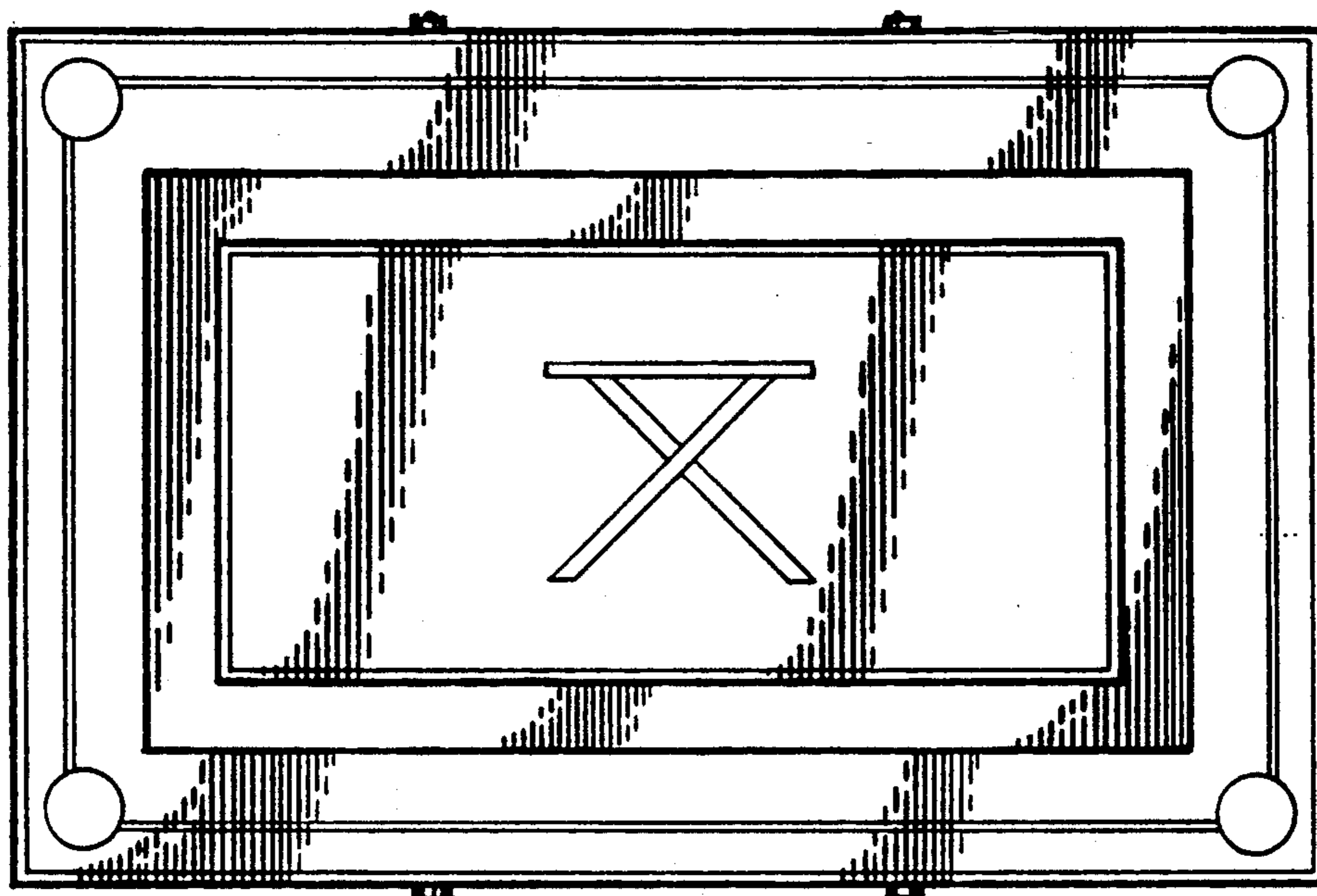


FIG. 2

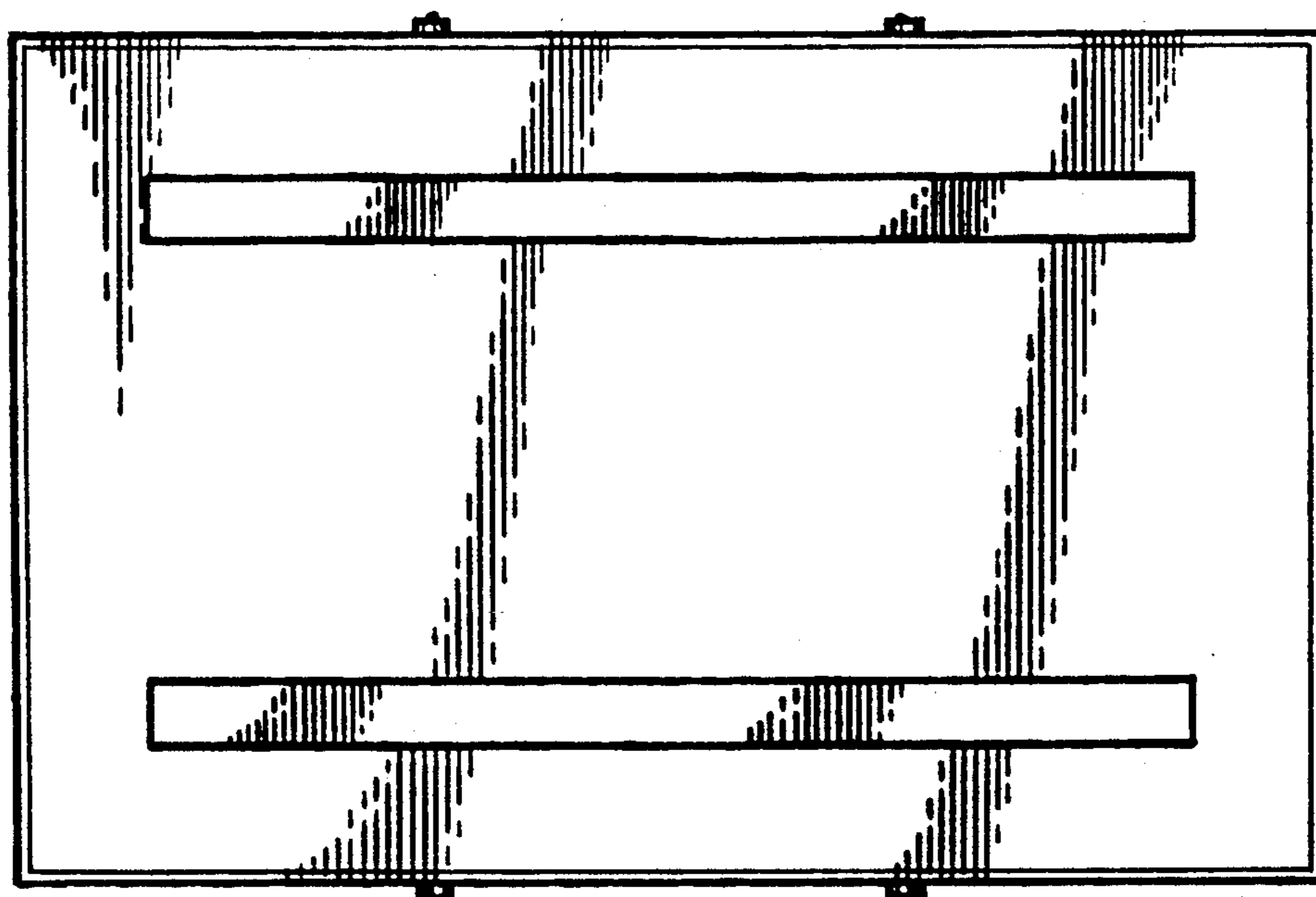


FIG. 3

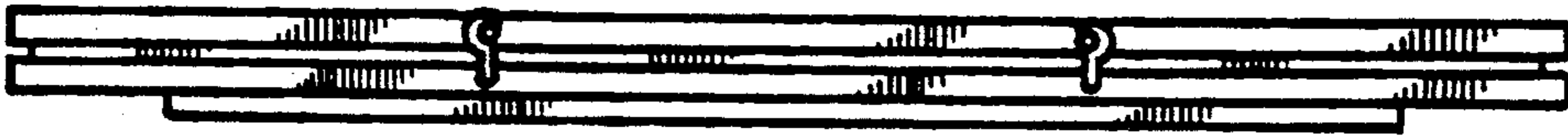


FIG. 4

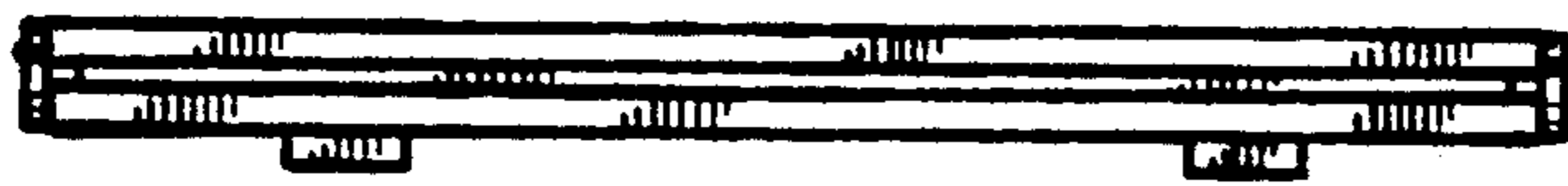


FIG. 5



FIG. 6