



US00D335146S

**United States Patent** [19]  
**Katami et al.**

[11] **Patent Number: Des. 335,146**  
[45] **Date of Patent: \*\* Apr. 27, 1993**

[54] **WRITING INSTRUMENT CAP**  
[75] **Inventors: Kazunori Katami, Saitama; Kazuhiko Suzuki, Higashikurume, both of Japan**  
[73] **Assignee: Tombow Pencil Co., Ltd., Tokyo, Japan**  
[\*\*] **Term: 14 Years**  
[21] **Appl. No.: 905,647**  
[22] **Filed: Jun. 30, 1992**

D. 248,865 8/1978 Sussman et al. .... D19/56 X  
D. 289,088 3/1987 Jankewitz ..... D19/43 X  
D. 309,156 7/1990 Kuwabara ..... D19/41

*Primary Examiner*—Nelson C. Holtje  
*Assistant Examiner*—Martha Thompson  
*Attorney, Agent, or Firm*—Nikaido, Marmelstein, Murray & Oram

[57] **CLAIM**

The ornamental design for a writing instrument cap, as shown and described.

**DESCRIPTION**

FIG. 1 is a top, left front perspective view of a writing instrument cap showing our new design;  
FIG. 2 is a left side elevational view, the right side being a mirror image thereof;  
FIG. 3 is a front elevational view;  
FIG. 4 is a rear elevational view;  
FIG. 5 is a bottom plan view;  
FIG. 6 is a top plan view;  
FIG. 7 is a top, left front perspective view of a second embodiment of my new design;  
FIG. 8 is a left side elevational view of FIG. 7, the right side being a mirror image thereof;  
FIG. 9 is front elevational view of FIG. 7, the rear view being a mirror image thereof;  
FIG. 10 is a bottom plan view of FIG. 7; and,  
FIG. 11 is a top plan view of FIG. 7.

**Related U.S. Application Data**

[62] Division of Ser. No. 540,416, Jun. 18, 1990, Pat. No. D. 330,389.  
[52] U.S. Cl. .... D19/57; D19/51; D19/56  
[58] **Field of Search** ..... D19/35, 36, 41-51, D19/54-58, 81-85; 401/202, 243, 244, 245, 246, 247

[56] **References Cited**

**U.S. PATENT DOCUMENTS**

D. 104,543 5/1937 Pearce ..... D19/51  
D. 188,267 6/1960 Bunn et al. .... D19/57  
D. 217,647 5/1970 Croft ..... D19/43 X  
D. 234,471 3/1975 Carre ..... D19/51

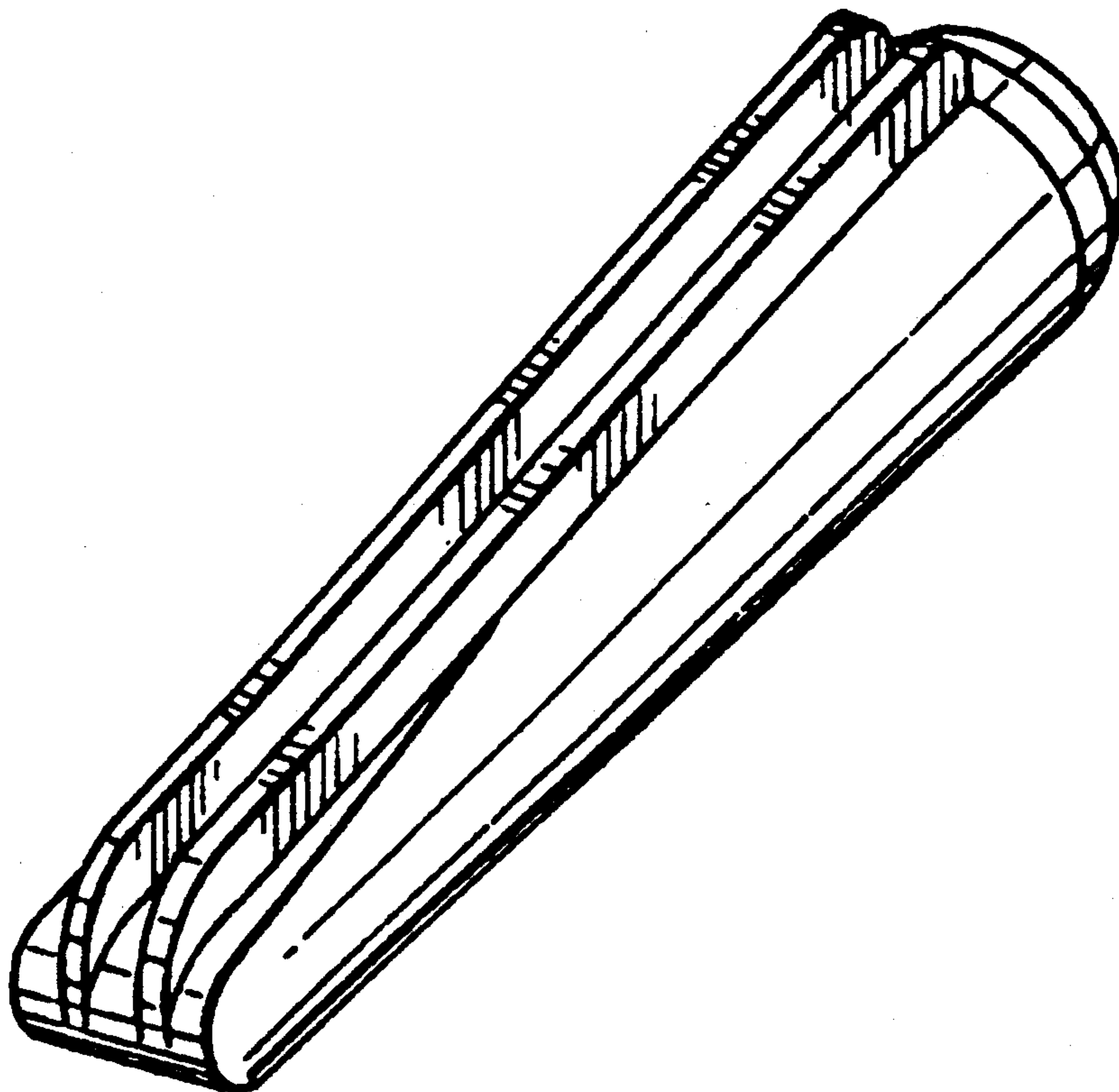


FIG. 1

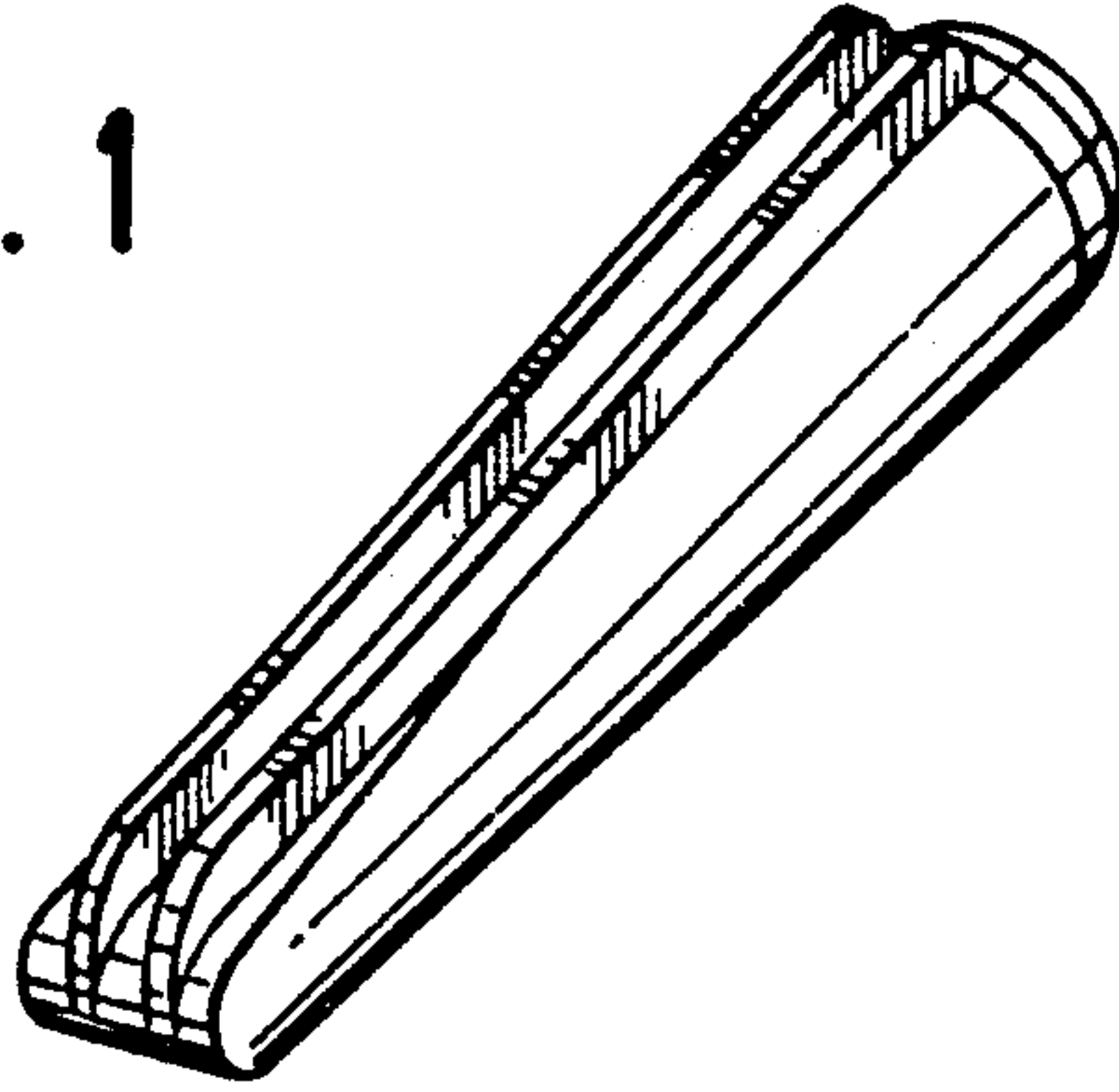


FIG. 2



FIG. 3

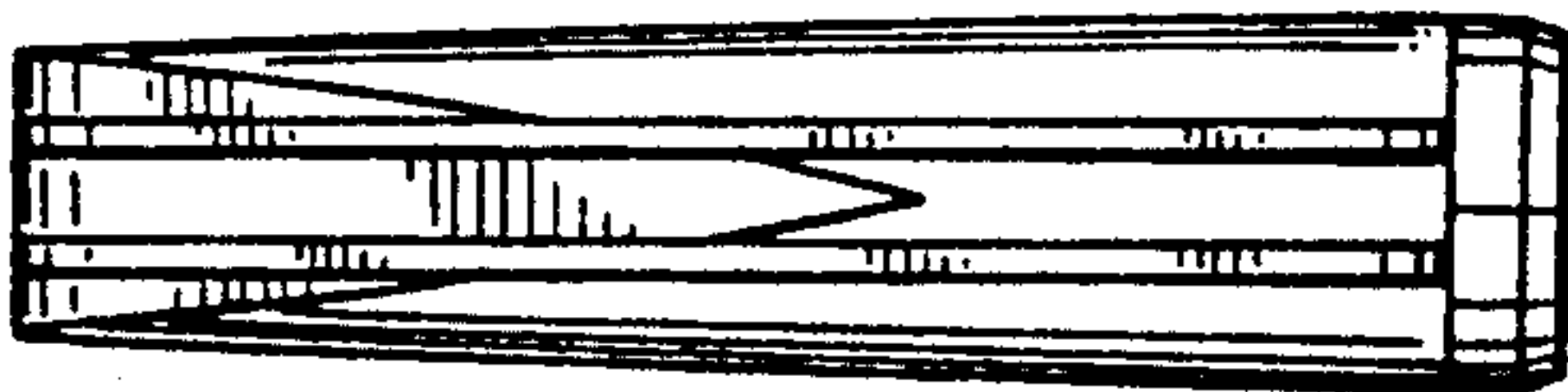


FIG. 4

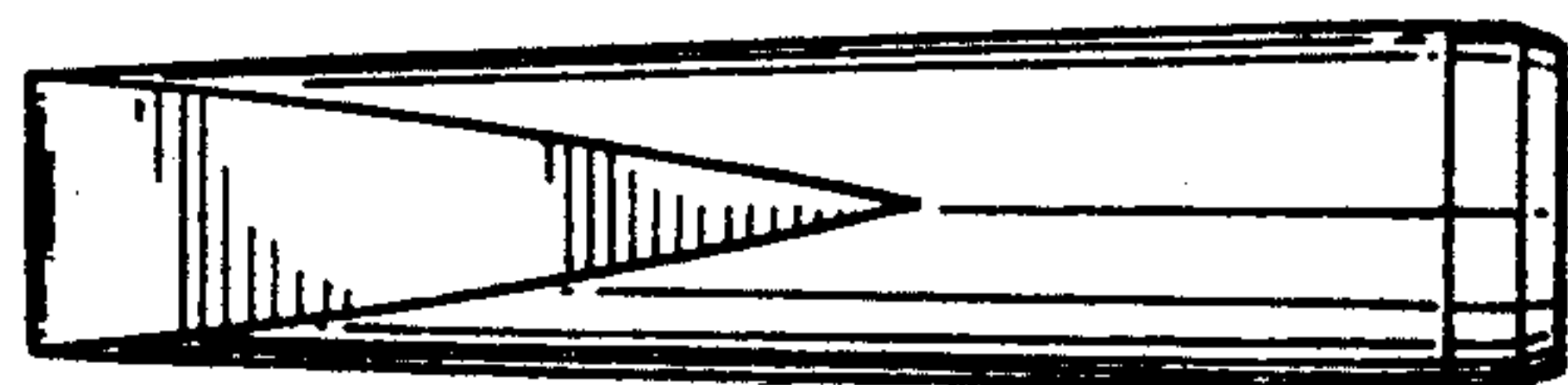


FIG. 5

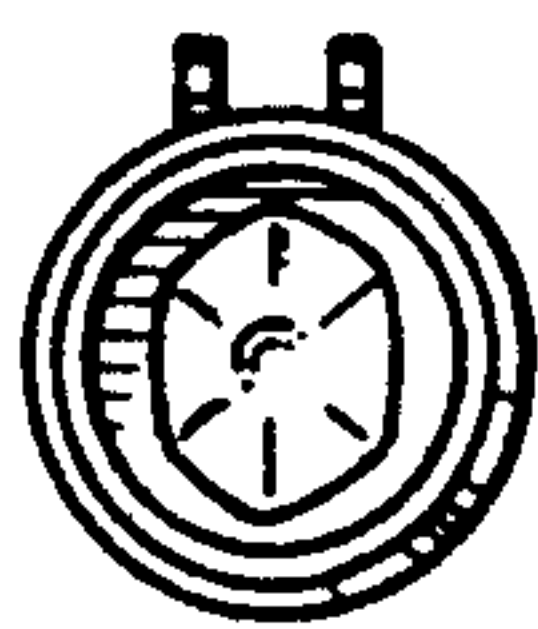


FIG. 6

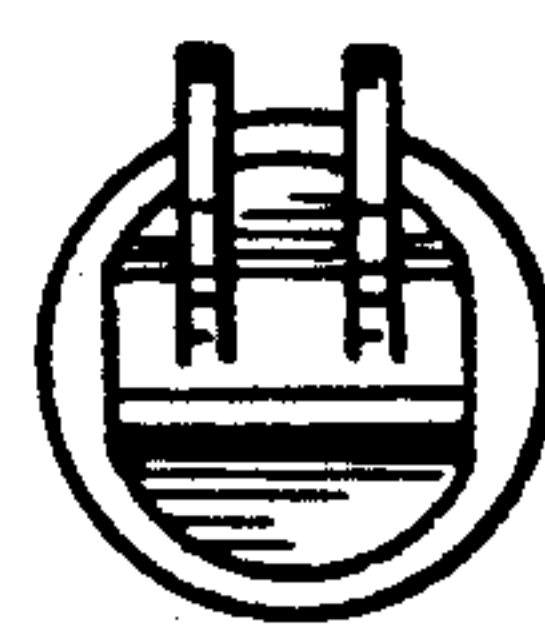


FIG. 7

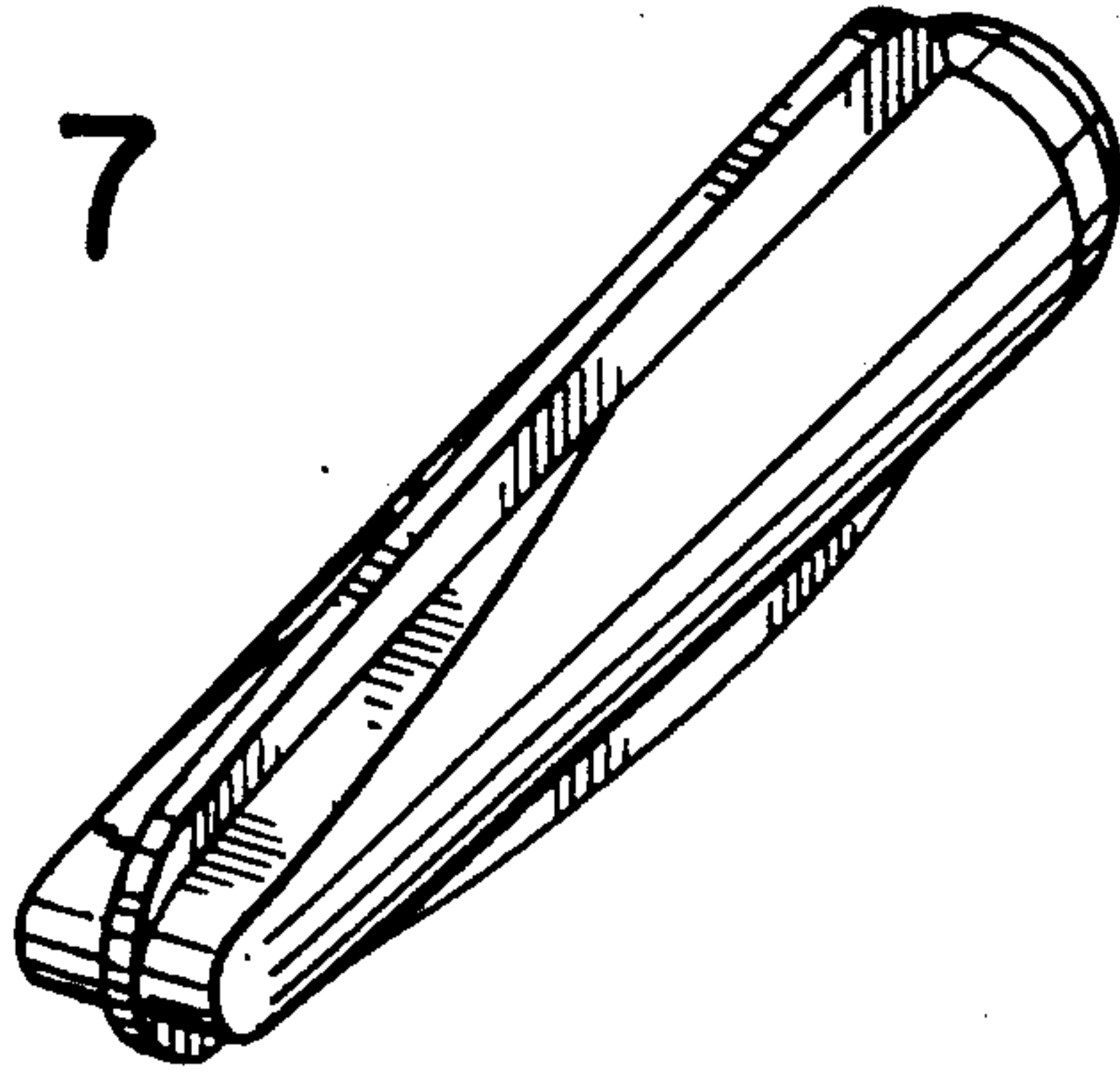


FIG. 8

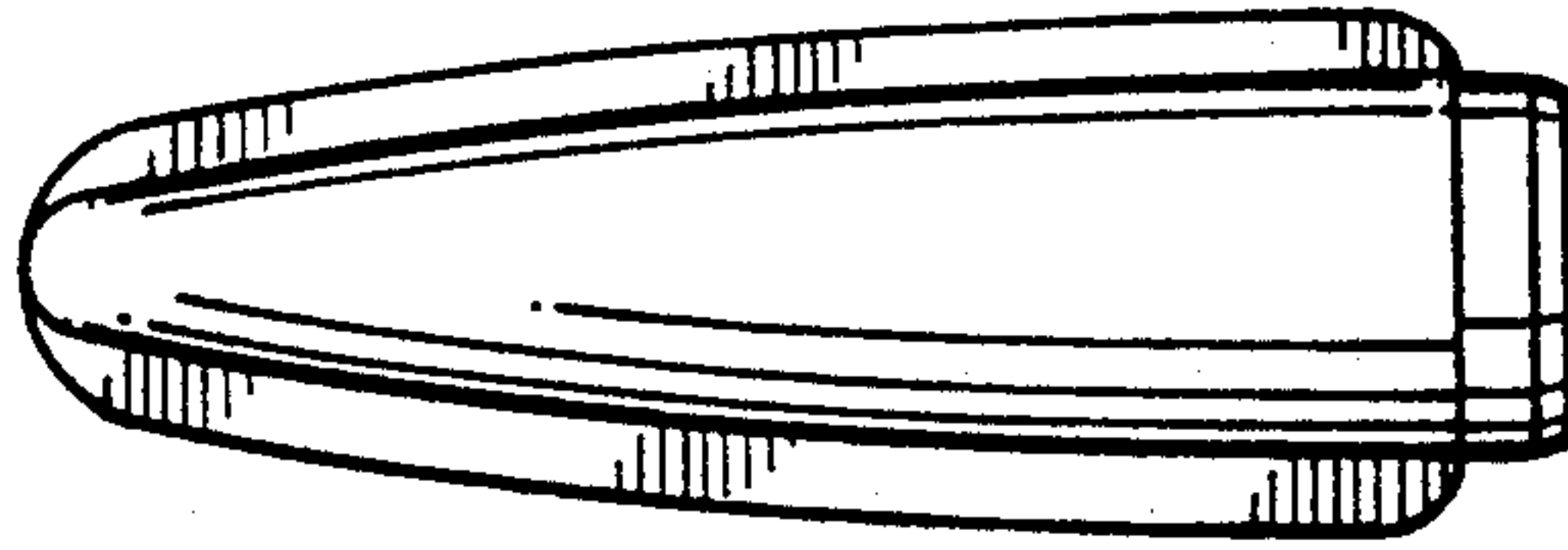


FIG. 9

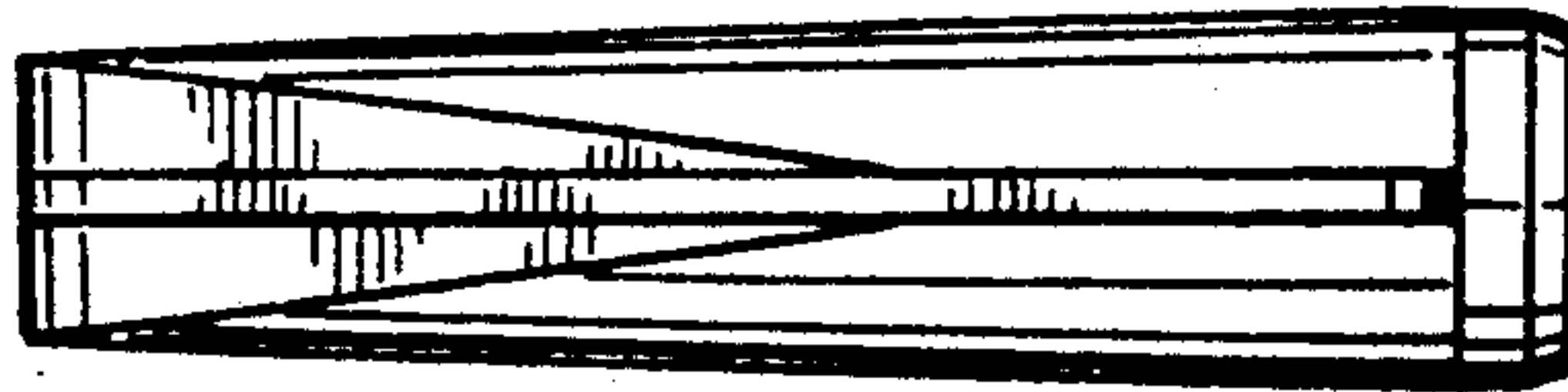


FIG. 10



FIG. 11

