



US00D335145S

# United States Patent [19]

Katami et al.

[11] Patent Number: **Des. 335,145**

[45] Date of Patent: **\*\* Apr. 27, 1993**

[54] **WRITING INSTRUMENT CAP**

[75] Inventors: **Kazunori Katami, Kawagoe;**  
**Kazuhiko Suzuki, Higashikurume,**  
both of Japan

[73] Assignee: **Tombow Pencil Co., Ltd., Tokyo,**  
Japan

[\*\*] Term: **14 Years**

[21] Appl. No.: **905,646**

[22] Filed: **Jun. 30, 1992**

### Related U.S. Application Data

- [62] Division of Ser. No. 540,416, Jun. 18, 1990, Pat. No. D. 330,389.
- [52] U.S. Cl. .... **D19/57; D19/49;**  
**D19/56**
- [58] Field of Search ..... **D19/35, 36, 41-51,**  
**D19/54-58, 81-85; 401/202, 243, 244, 245, 246,**  
**247**

[56] **References Cited**

### U.S. PATENT DOCUMENTS

- D. 103,387 3/1937 Chesler ..... **D19/43 X**
- D. 259,792 7/1981 Itoh et al. .... **D19/51**
- D. 284,774 7/1986 Ludvig et al. .... **D19/49**
- D. 305,245 10/1989 Chuang ..... **D19/41 X**
- D. 323,349 1/1992 Gomez ..... **D19/49**
- D. 327,911 7/1992 Paison ..... **D19/49**

*Primary Examiner*—Nelson C. Holtje  
*Assistant Examiner*—Martha Thompson  
*Attorney, Agent, or Firm*—Nikaido, Marmelstein,  
Murray & Oram

[57] **CLAIM**

The ornamental design for a writing instrument cap, as shown and described.

### DESCRIPTION

FIG. 1 is a top, left front perspective view of a writing instrument cap showing our new design;  
FIG. 2 is a left side elevational view, the right side being a mirror image thereof;  
FIG. 3 is a front elevational view;  
FIG. 4 is a bottom plan view; and,  
FIG. 5 is a top plan view thereof.

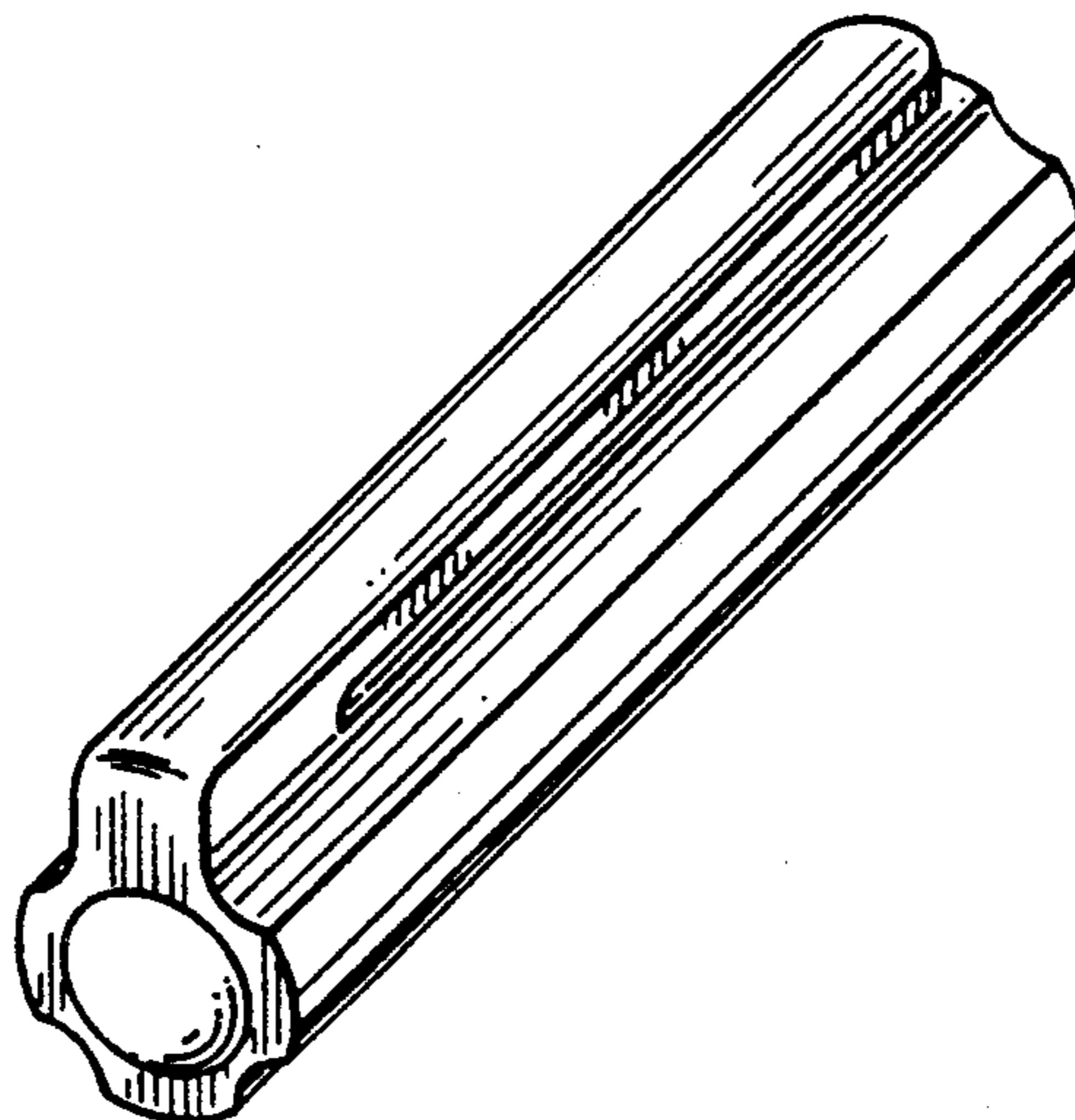


FIG. 1

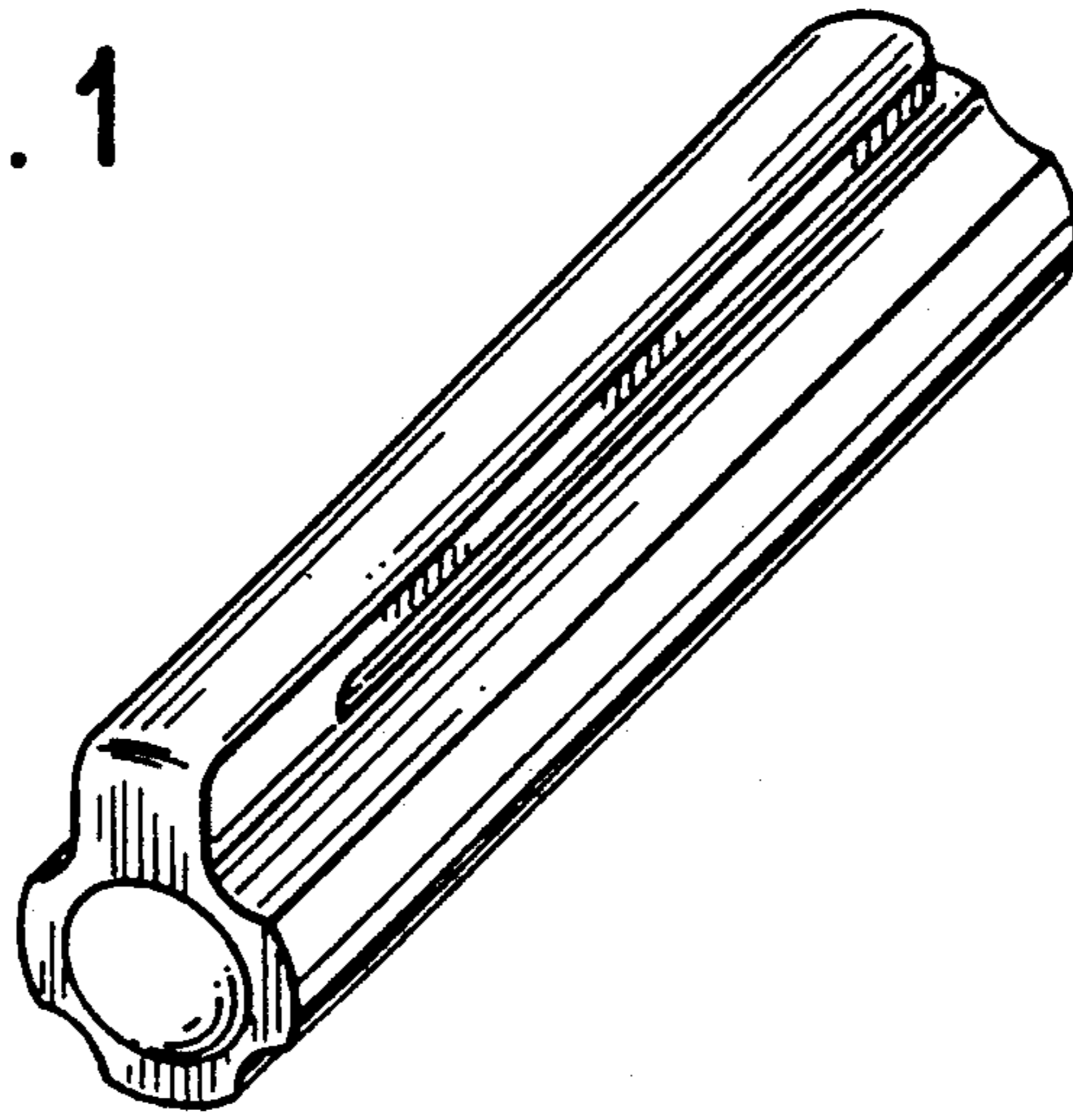


FIG. 2

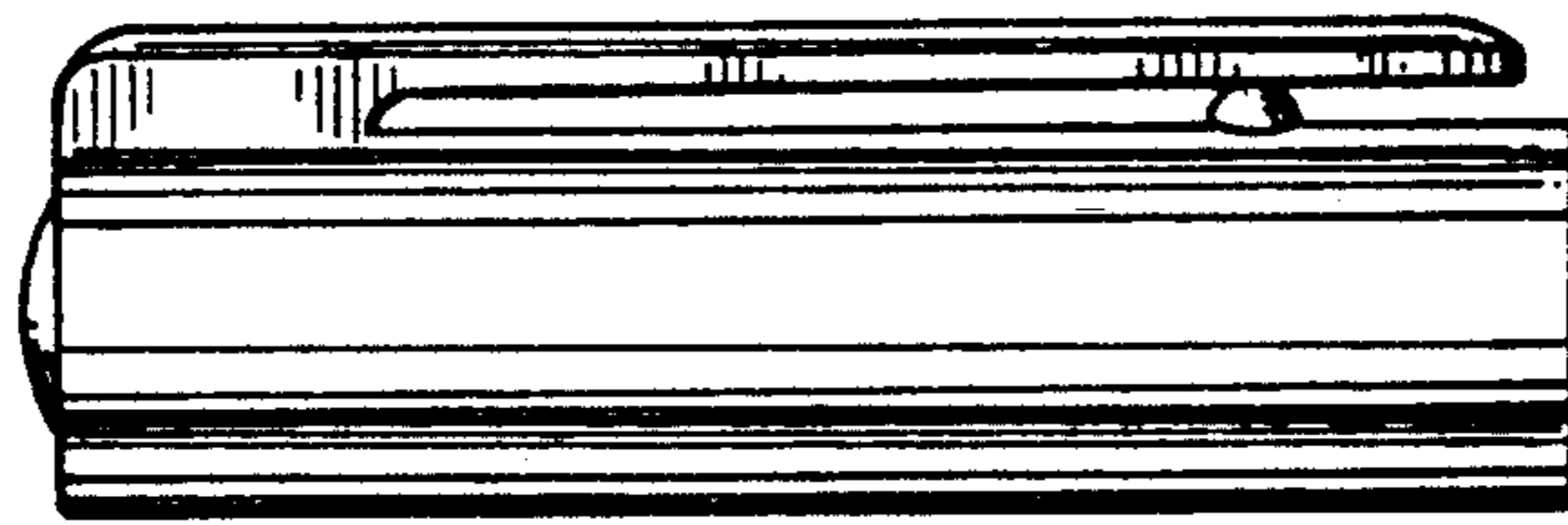


FIG. 3

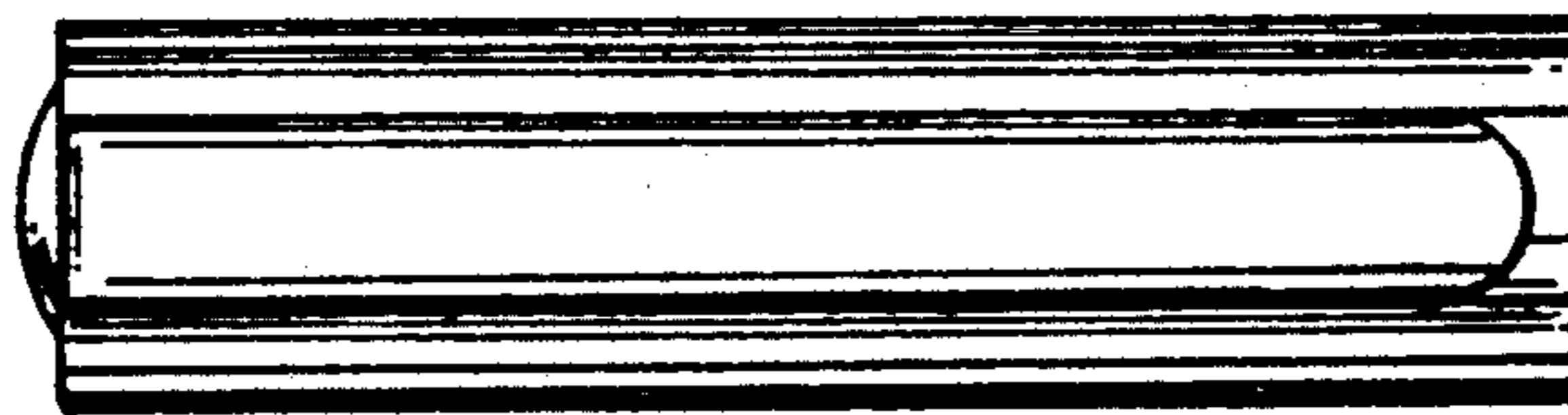


FIG. 4

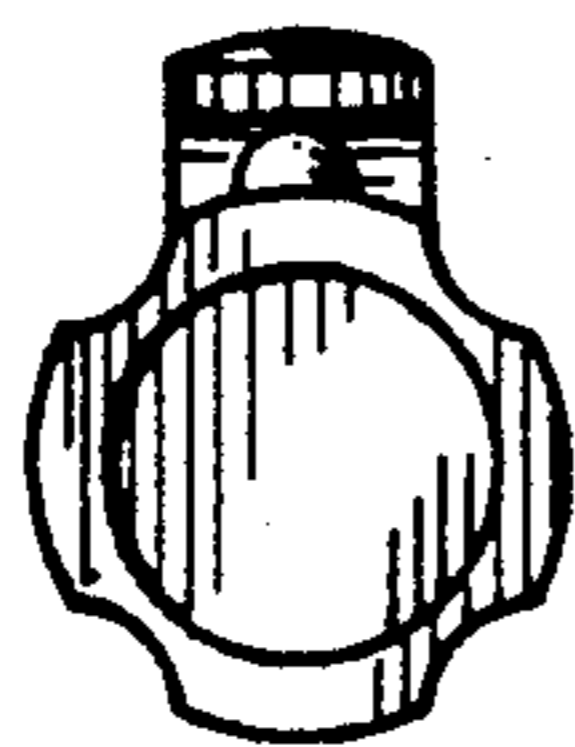


FIG. 5

