



US00D335144S

United States Patent [19]

[11] Patent Number: **Des. 335,144**

Katami et al.

[45] Date of Patent: **** Apr. 27, 1993**

[54] **WRITING INSTRUMENT CAP**

[75] Inventors: **Kazunori Katami, Kawagoe;**
Kazuhiko Suzuki, Higashikurume,
both of Japan

[73] Assignee: **Tombow Pencil Co., Ltd., Tokyo,**
Japan

[**] Term: **14 Years**

[21] Appl. No.: **907,200**

[22] Filed: **Jun. 30, 1992**

Related U.S. Application Data

- [62] Division of Ser. No. 540,416, Jun. 18, 1990, Pat. No. D. 330,389.
- [52] U.S. Cl. **D19/57**
- [58] Field of Search **D19/35, 36, 41-51,**
D19/54-58, 81-85; 401/202, 243, 244, 245, 246,
247

[56] **References Cited**

U.S. PATENT DOCUMENTS

- D. 282,378 1/1986 Ohyabu et al. **D19/43**
- D. 312,391 11/1990 Vitrac **D19/51**
- D. 312,838 12/1990 Vitrac **D19/51**
- D. 321,718 11/1991 Ambasz **D19/48**
- D. 325,221 4/1992 Ito **D19/49 X**

Primary Examiner—Nelson C. Holtje
Assistant Examiner—Martha Thompson
Attorney, Agent, or Firm—Nikaido, Marmelstein,
 Murray & Oram

[57] **CLAIM**

The ornamental design for a writing instrument cap, as shown and described.

DESCRIPTION

FIG. 1 is a top, left front perspective view of a writing instrument cap showing our new design;
 FIG. 2 is a left side elevational view, the right side being a mirror image thereof;
 FIG. 3 is a front elevational view;
 FIG. 4 is a bottom plan view, and,
 FIG. 5 is a top plan view thereof.

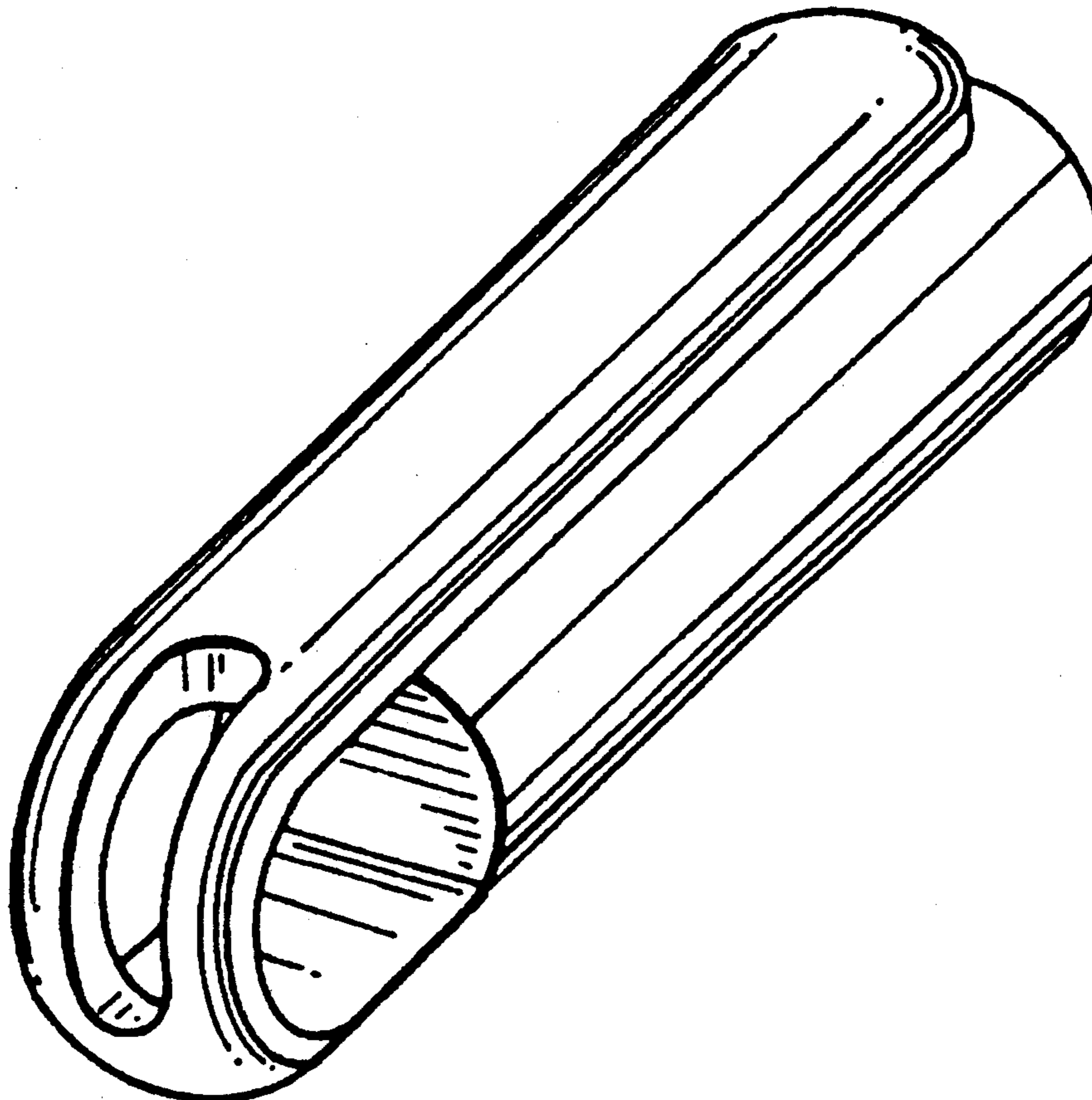


FIG. 1

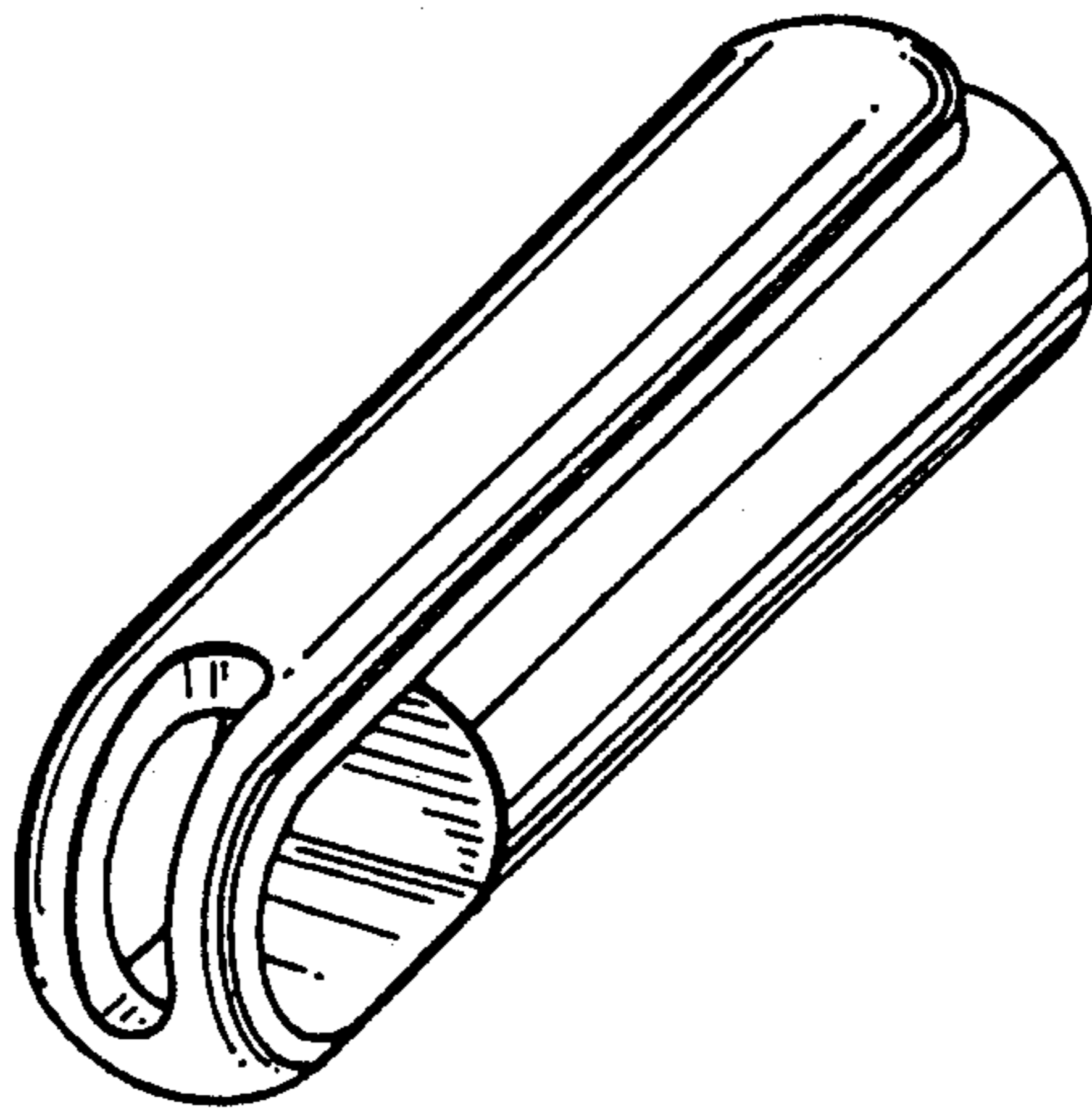


FIG. 2

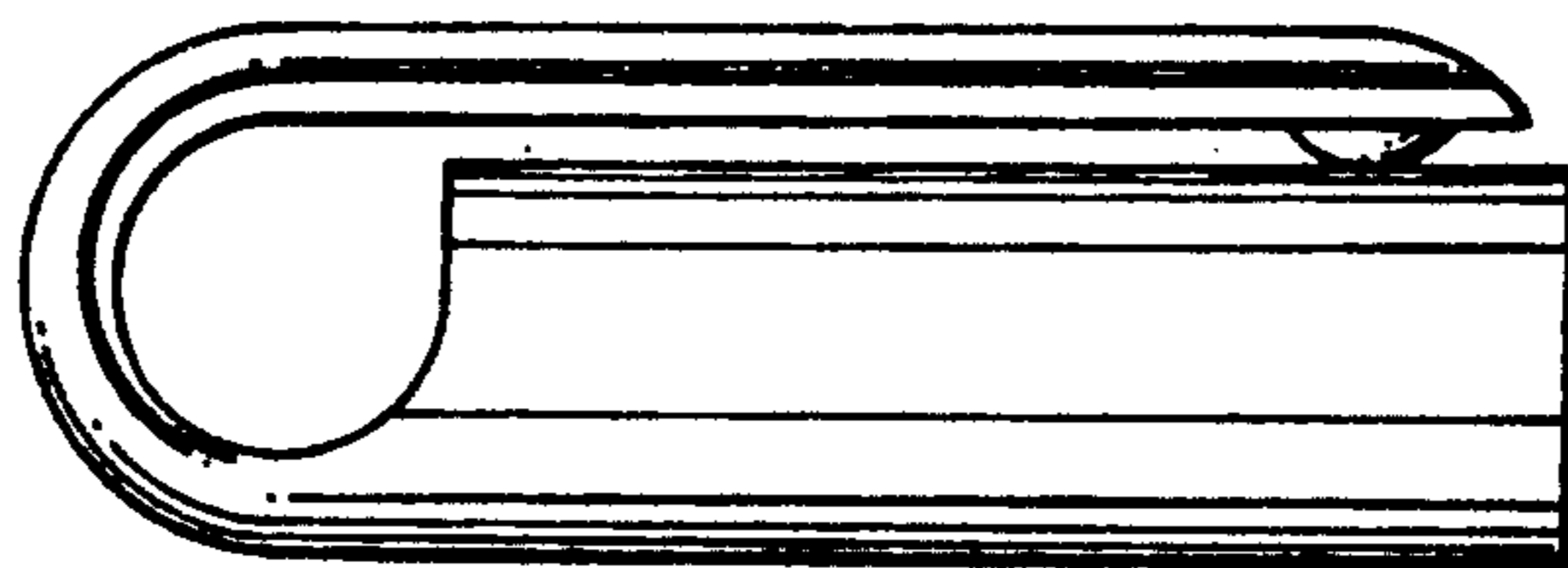


FIG. 3

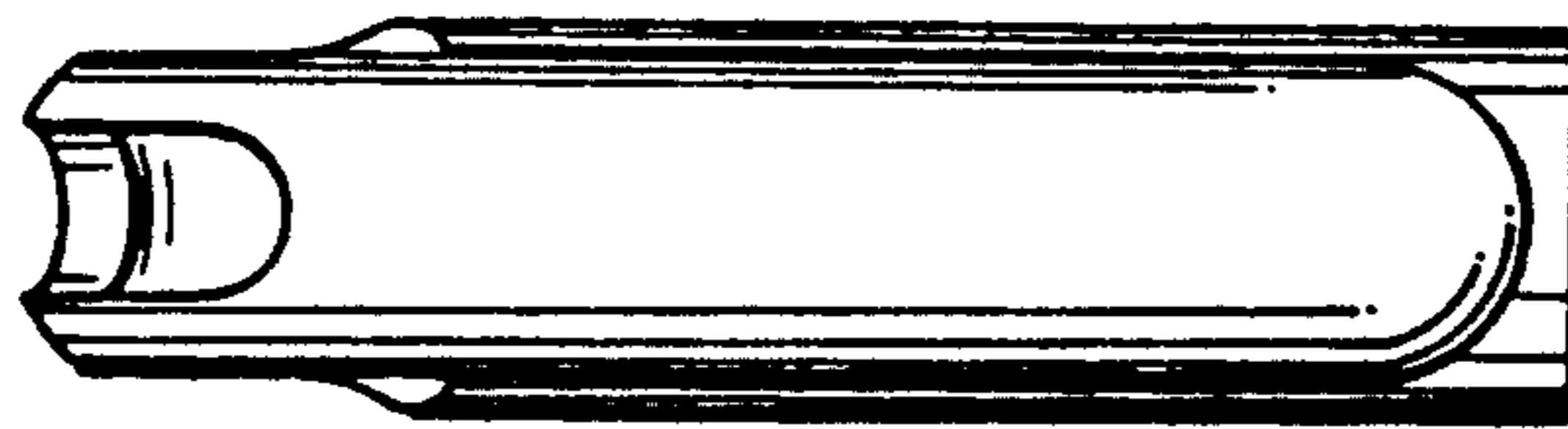


FIG. 4

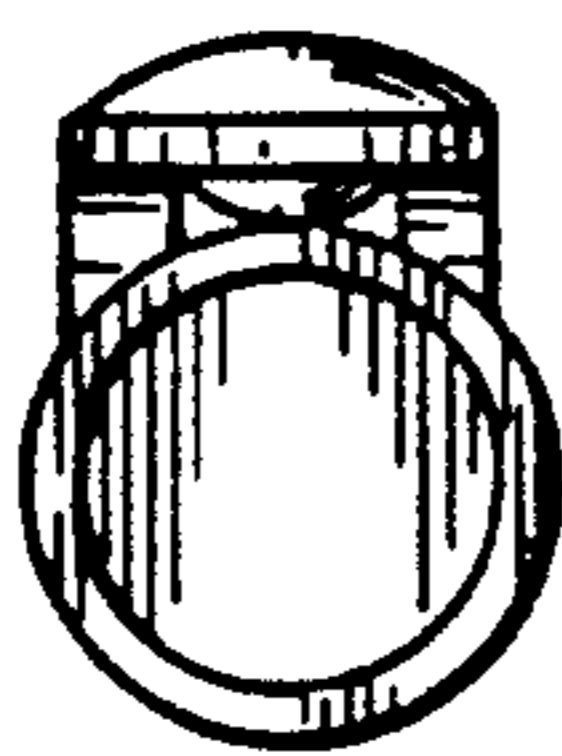


FIG. 5

