



US00D335143S

United States Patent [19]

[11] Patent Number: Des. 335,143

Katami et al.

[45] Date of Patent: ** Apr. 27, 1993

[54] WRITING INSTRUMENT CAP

[75] Inventors: Kazunori Katami, Kawagoe;
Kazuhiko Suzuki, Higashikurume,
both of Japan

[73] Assignee: Tombow Pencil Co., Ltd., Tokyo,
Japan

[**] Term: 14 Years

[21] Appl. No.: 907,199

[22] Filed: Jun. 30, 1992

Related U.S. Application Data

[62] Division of Ser. No. 540,416, Jun. 18, 1990, Pat. No. D.
330,389.

[52] U.S. Cl. D19/57; D19/51;
D19/56

[58] Field of Search D19/35, 36, 41-51,
D19/54-58, 81-85; 401/202, 243, 244, 245, 246,
247

[56] References Cited

U.S. PATENT DOCUMENTS

- D. 249,887 10/1978 Anderka et al. D19/43
- D. 257,857 1/1981 Leuenberger et al. D19/43 X
- D. 259,792 7/1981 Itoh et al. D19/57 X
- D. 266,856 11/1982 Oka D19/56 X
- D. 287,373 12/1986 Regnault D19/51 X
- D. 327,911 7/1992 Poisson D19/43 X

Primary Examiner—Nelson C. Roltje
Assistant Examiner—Martha Thompson
Attorney, Agent, or Firm—Nikaido, Marmelstein,
Murray & Oram

[57] CLAIM

The ornamental design for a writing instrument cap, as shown and described.

DESCRIPTION

FIG. 1 is a top, left front perspective view of a writing instrument cap showing our new design;
FIG. 2 is a left side elevational view, the right side being a mirror image thereof;
FIG. 3 is a front elevational view;
FIG. 4 is a bottom plan view; and,
FIG. 5 is a top plan view thereof.

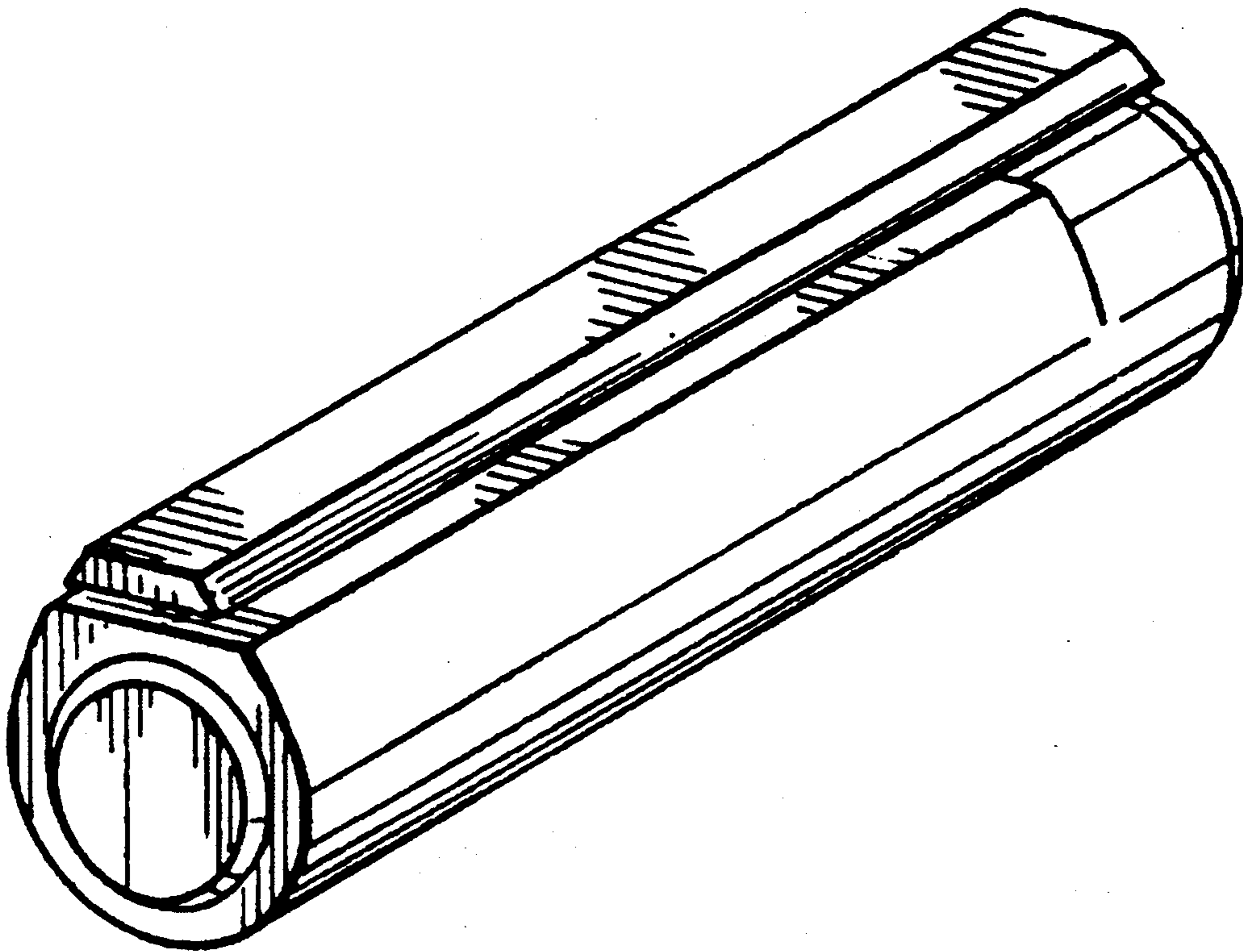


FIG. 1

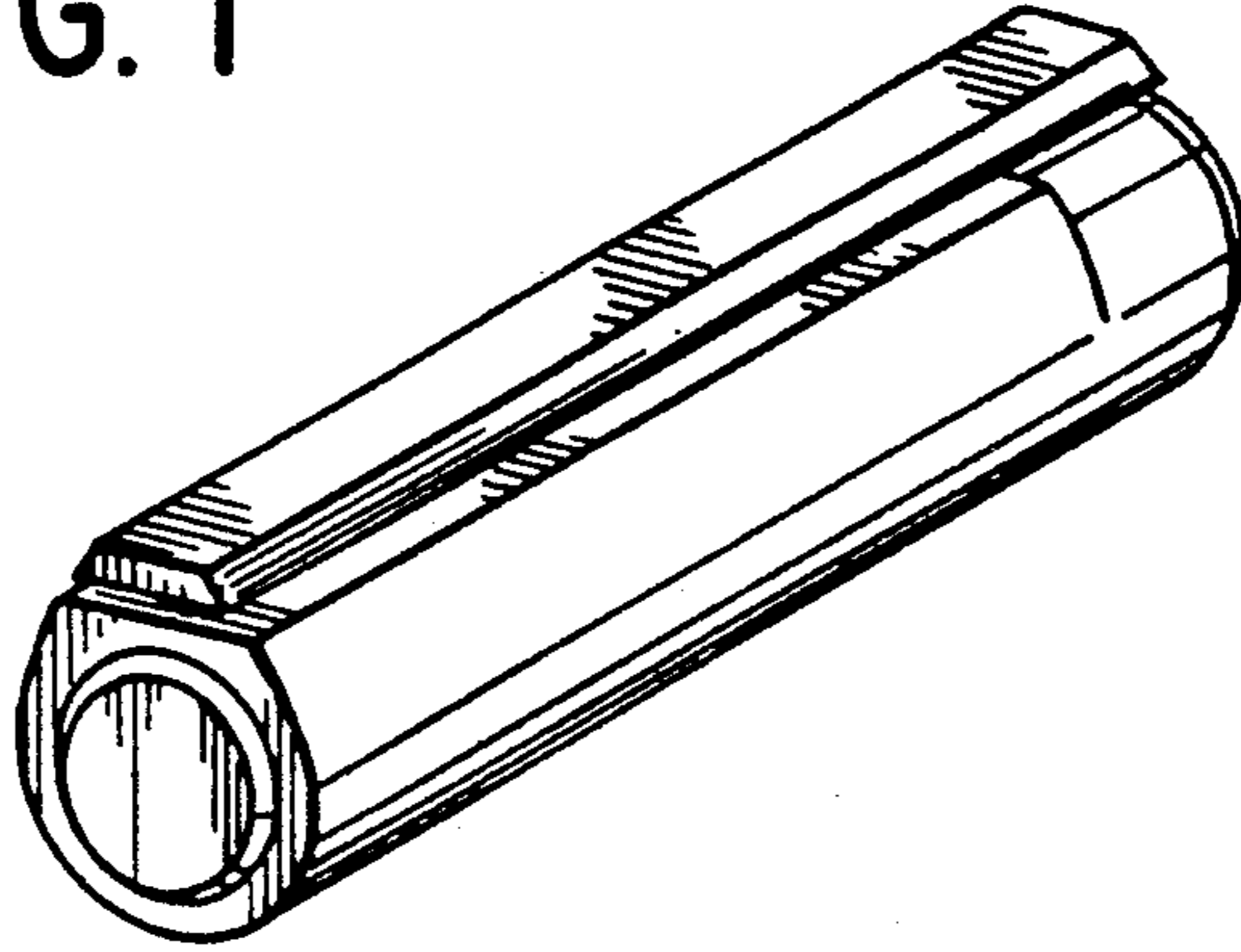


FIG. 2

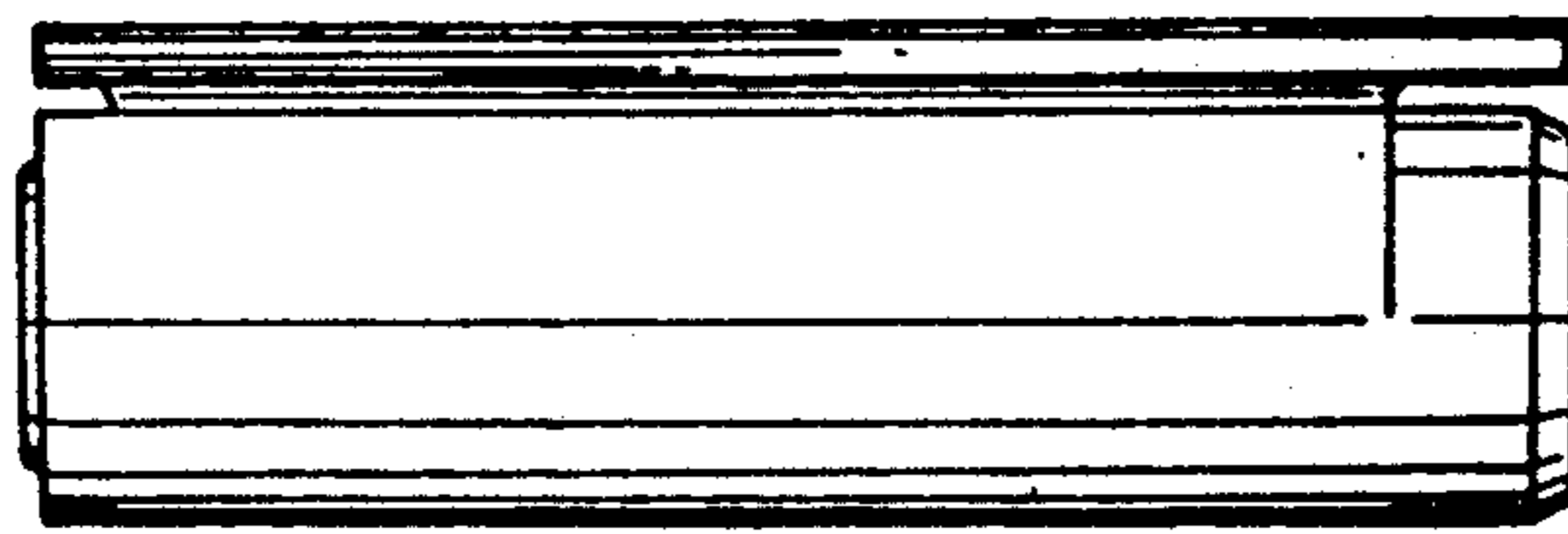


FIG. 3

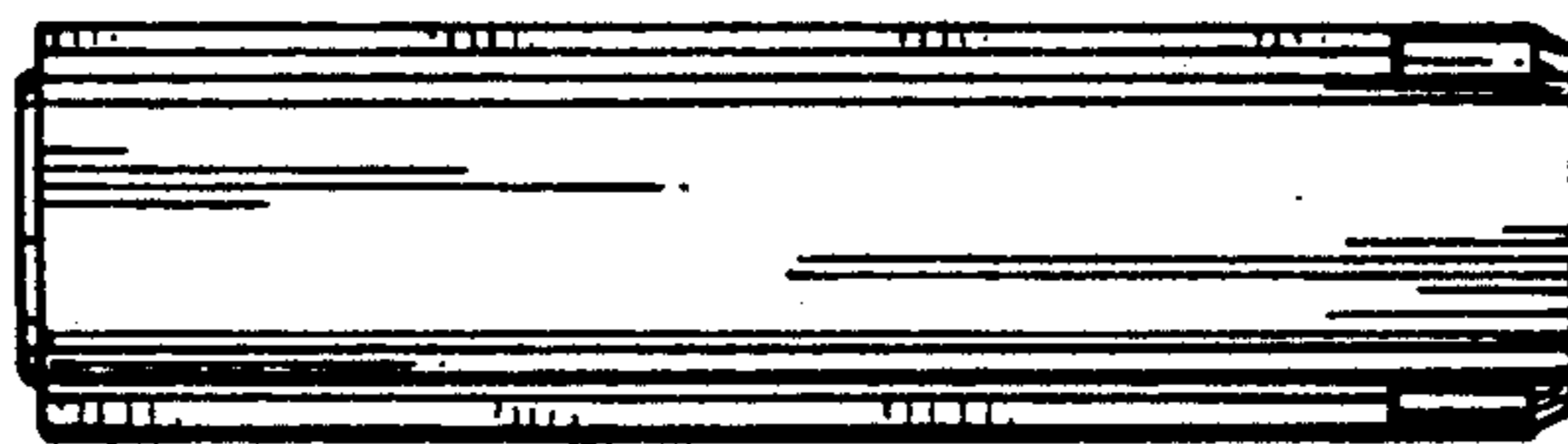


FIG. 4

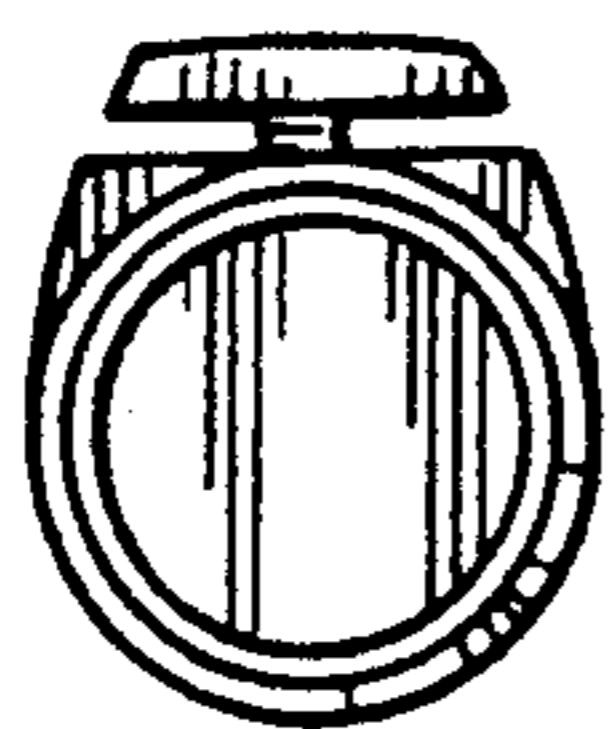


FIG. 5

