



US00D335142S

United States Patent [19]

[11] Patent Number: Des. 335,142

Katami et al.

[45] Date of Patent: ** Apr. 27, 1993

[54] WRITING INSTRUMENT CAP

[75] Inventors: Kazunori Katami, Kawagoe;
Kazuhiko Suzuki, Tokyo, both of
Japan

[73] Assignee: Tombow Pencil Co., Ltd., Tokyo,
Japan

[**] Term: 14 Years

[21] Appl. No.: 907,198

[22] Filed: Jun. 30, 1992

Related U.S. Application Data

[62] Division of Ser. No. 540,416, Jun. 18, 1990, Pat. No. D.
330,389.

[52] U.S. Cl. D19/57; D19/51;
D19/56

[58] Field of Search D19/35, 36, 41-51,
D19/54-58, 81-85; 401/202, 243, 244, 245, 246,
247

[56] References Cited

U.S. PATENT DOCUMENTS

| | | | |
|------------|---------|---------------------|----------|
| D. 250,767 | 1/1979 | Bulgari | D19/56 X |
| D. 266,856 | 11/1982 | Oka | D19/56 X |
| D. 292,007 | 9/1987 | Ambasz | D19/51 X |
| D. 318,294 | 7/1991 | Cho-Kai | D19/43 X |
| D. 319,844 | 9/1991 | Grötsch et al. | D19/43 X |
| D. 321,718 | 11/1991 | Ambasz | D19/51 X |

Primary Examiner—Nelson C. Holtje
Assistant Examiner—Martha Thompson
Attorney, Agent, or Firm—Nikaido, Marmelstein,
Murray & Oram

[57] CLAIM

The ornamental design for a writing instrument cap, as shown and described.

DESCRIPTION

FIG. 1 is a top, left front perspective view of a writing instrument cap showing our new design;
FIG. 2 is a left side elevational view, the right side being a mirror image thereof;
FIG. 3 is a front elevational view;
FIG. 4 is a bottom plan view; and,
FIG. 5 is a top plan view thereof.

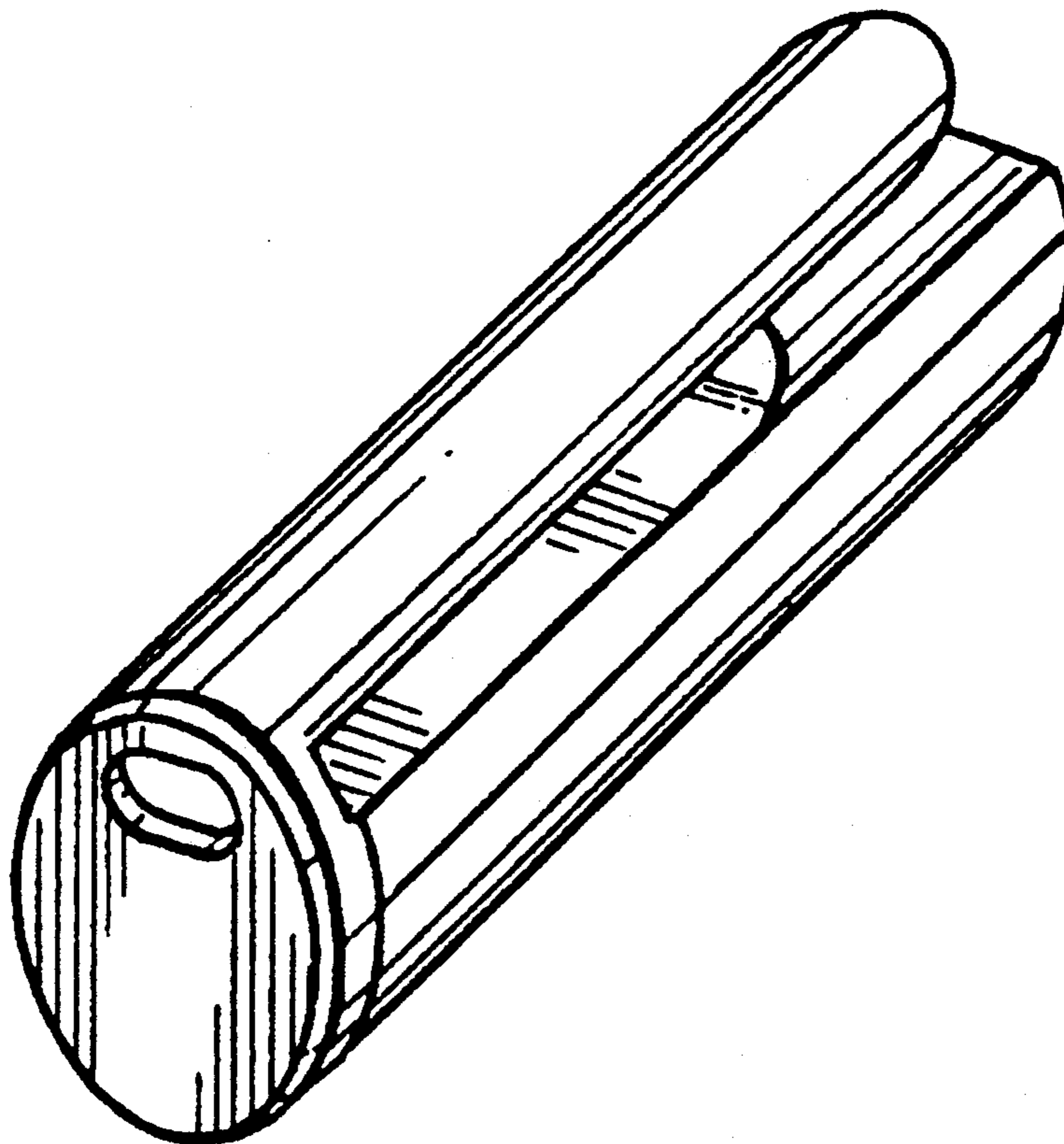


FIG. 1

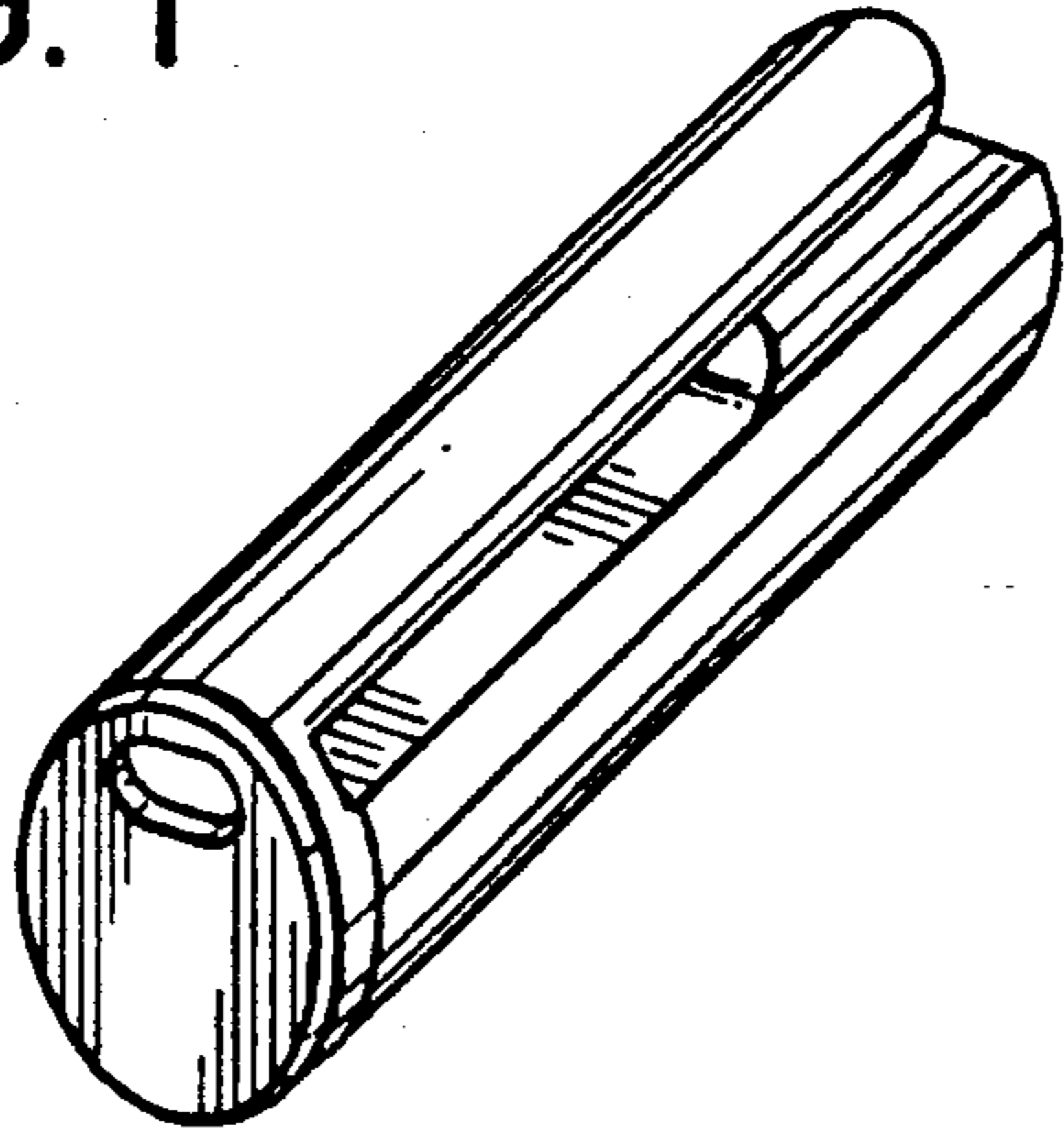


FIG. 2

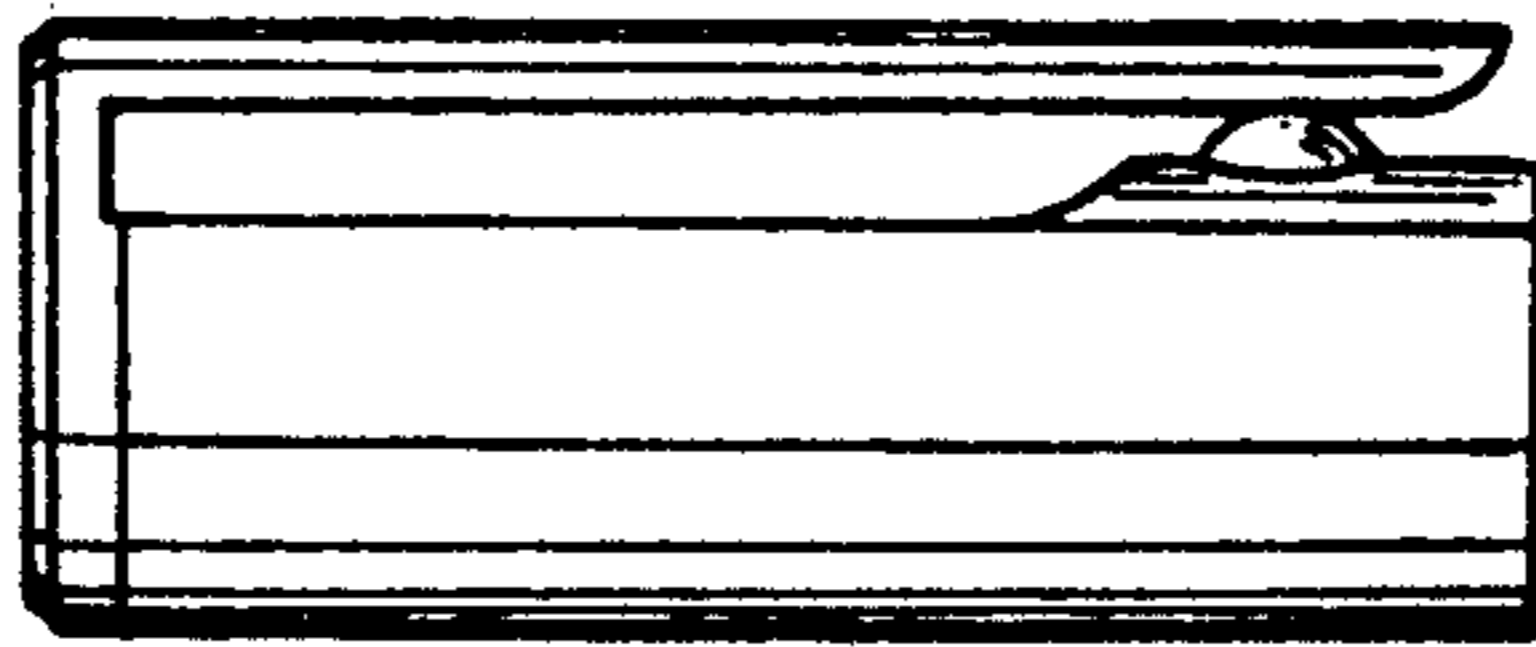


FIG. 3

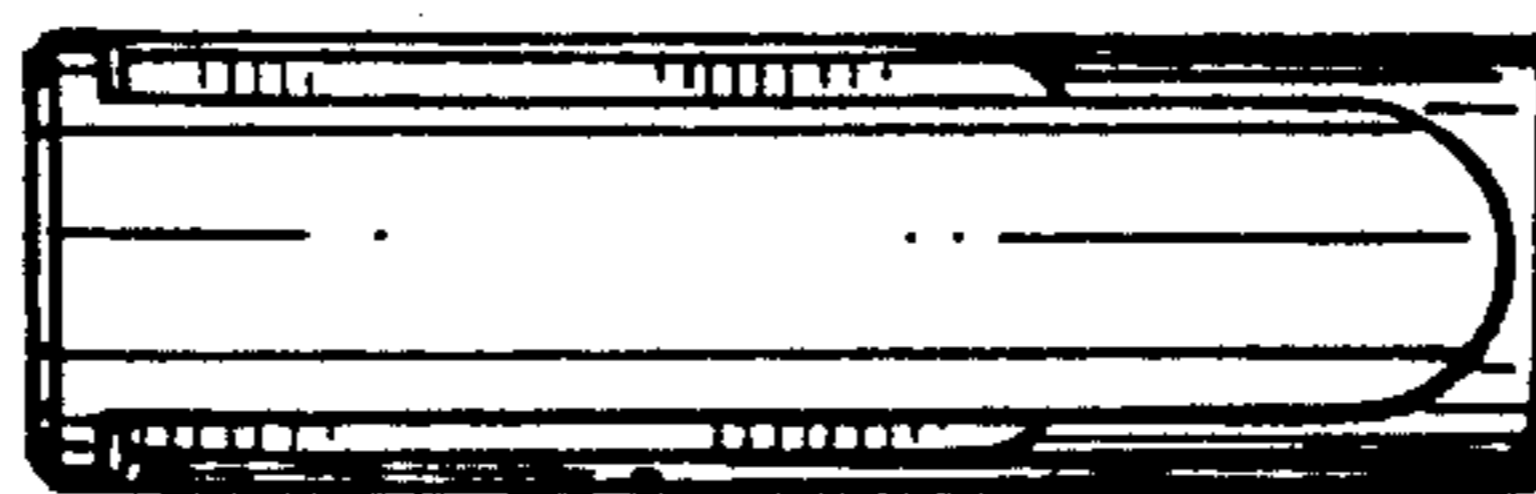


FIG. 4



FIG. 5

