



US00D335132S

# United States Patent [19]

[11] Patent Number: Des. 335,132

Williams et al.

[45] Date of Patent: \*\* Apr. 27, 1993

[54] REPLACEABLE DEEP TILLAGE POINT

5,027,535 7/1991 Maguina-Larco ..... 37/141 T

[75] Inventors: Robert A. Williams; William A. Bell, both of Garden City, Kans.

### OTHER PUBLICATIONS

Wetherell V Model Deep-Till, bottom.

[73] Assignee: Acra-Plant, Inc., Garden City, Kans.

Primary Examiner—Bernard Ansher

[\*\*] Term: 14 Years

Assistant Examiner—Sandra Morris

[21] Appl. No.: 670,207

Attorney, Agent, or Firm—Hovey, Williams, Timmons & Collins

[22] Filed: Mar. 15, 1991

### [57] CLAIM

[52] U.S. Cl. .... D15/29

The ornamental design for a replaceable deep tillage point, as shown and described.

[58] Field of Search ..... D15/11, 28, 29, 32; 37/141 R, 142 R, 142 A, 141 T; 171/105, 107; 172/690, 699, 713

### DESCRIPTION

### [56] References Cited

FIG. 1 is a top plan view of a replaceable deep tillage point embodying our design in accordance with the present invention;

#### U.S. PATENT DOCUMENTS

D. 237,644	11/1975	Williams et al. ....	D15/29
D. 239,650	4/1976	Clark et al. ....	D15/29
D. 284,010	5/1986	Voyce .....	D15/29
D. 285,205	8/1986	Johnson .....	D15/29
D. 297,940	10/1988	Edmisson .....	D15/29
4,033,271	7/1977	Williams et al. ....	172/699
4,748,754	6/1988	Schwappach .....	172/713
4,932,478	6/1990	Jones .....	172/699

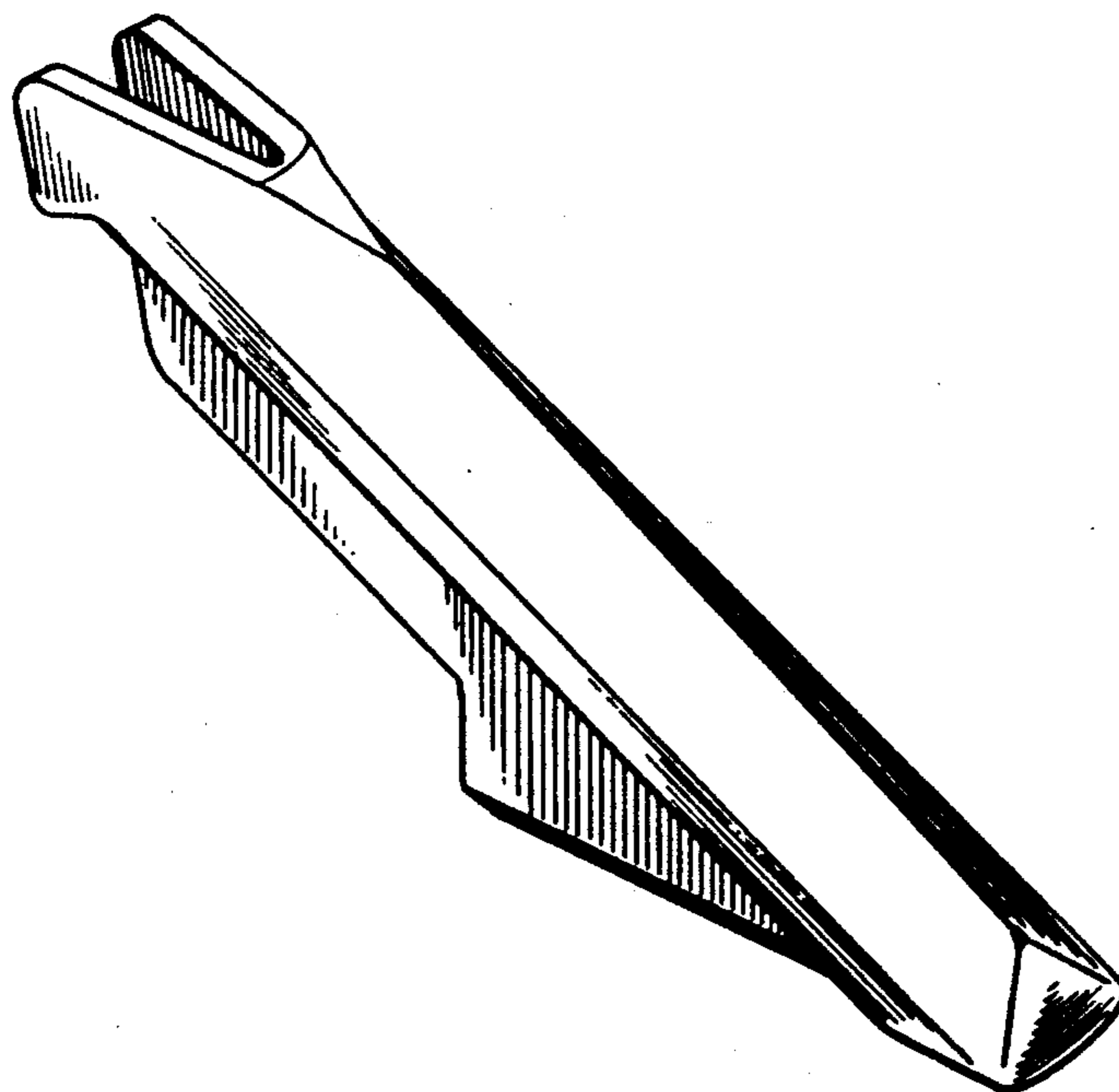
FIG. 2 is a left side elevational view thereof;

FIG. 3 is a front elevational view thereof;

FIG. 4 is a bottom view of the replaceable deep tillage point shown in FIG. 1 as viewed at right angles to the inclined longitudinal axis of the point;

FIG. 5 is a rear elevational view thereof; and,

FIG. 6 is an enlarged left front perspective view thereof.



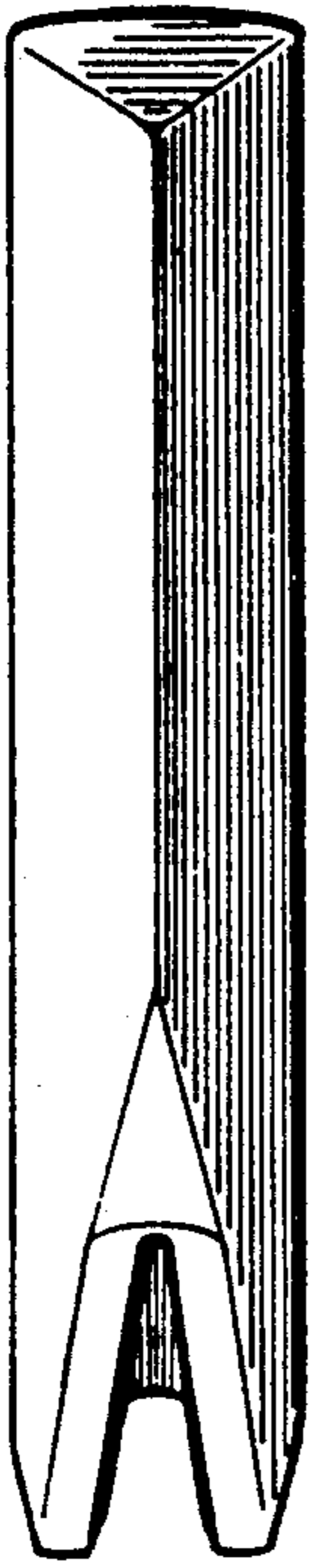


FIG. 1

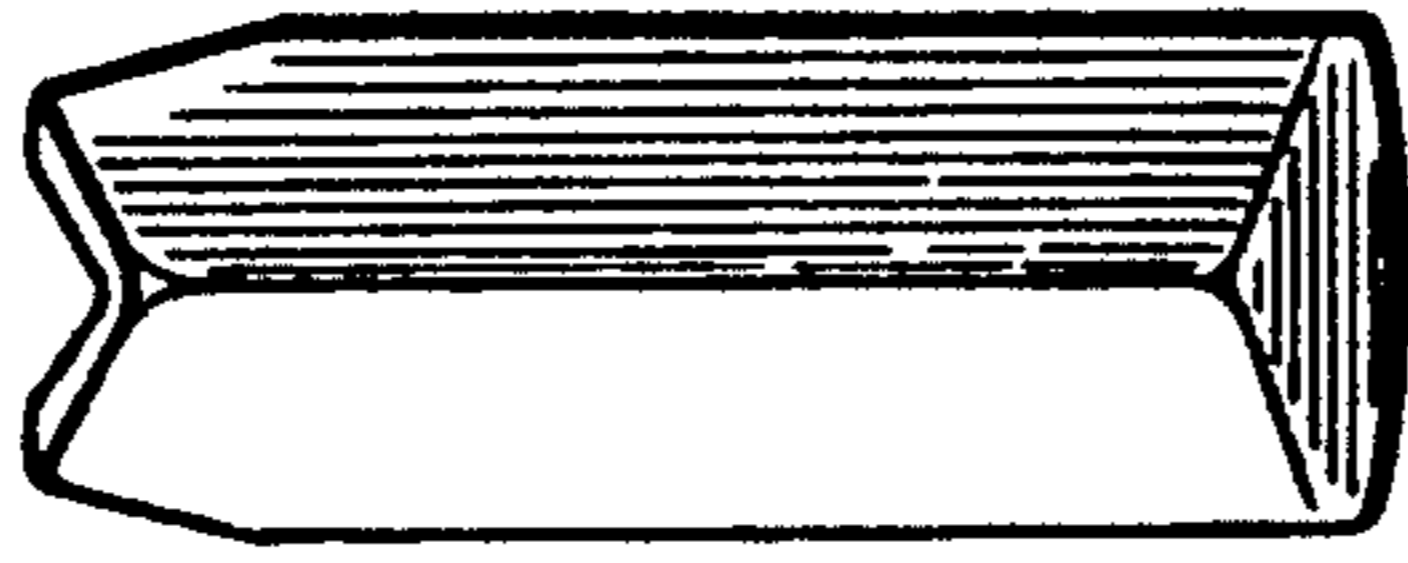


FIG. 3

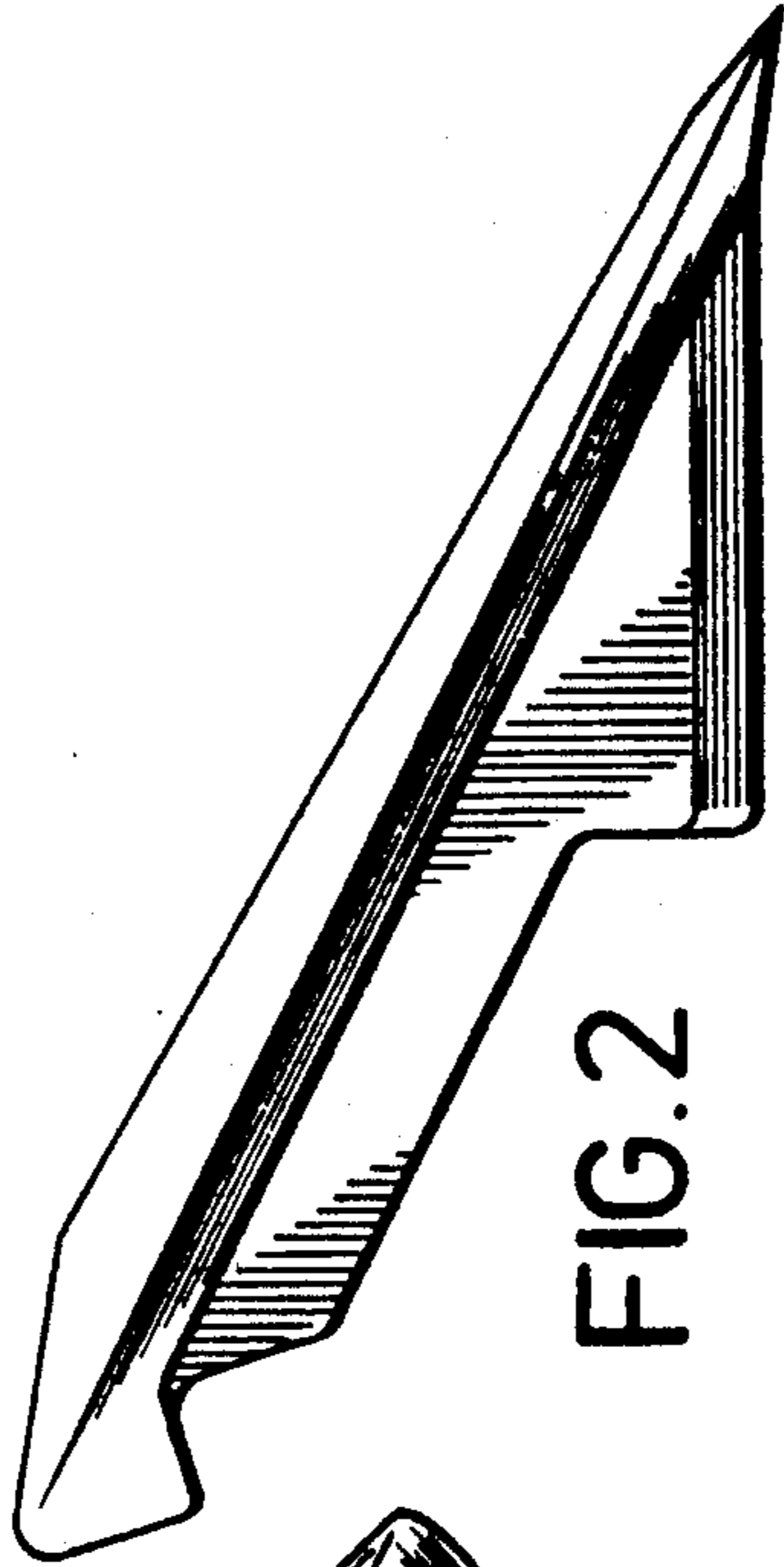


FIG. 2



FIG. 5

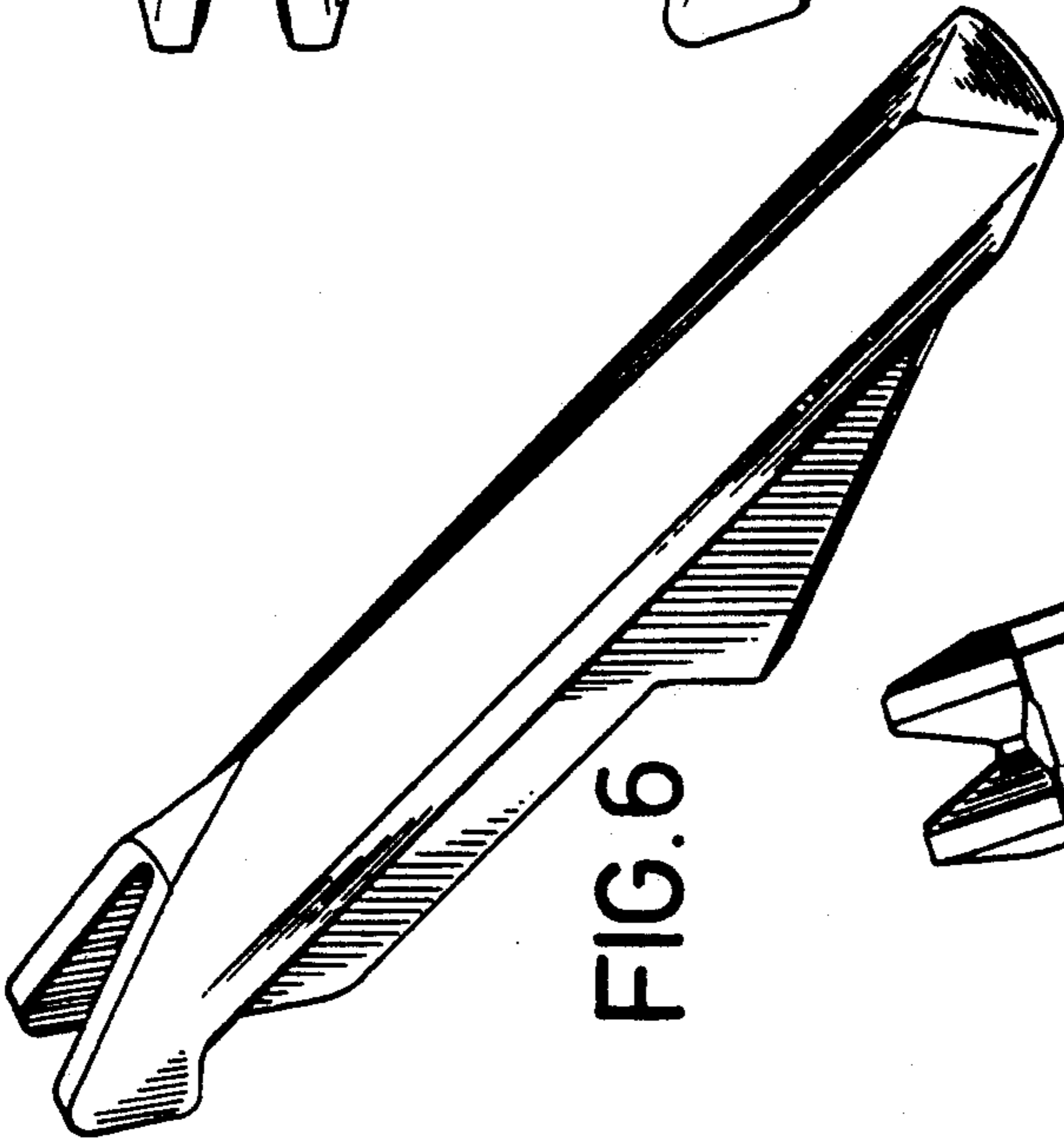


FIG. 6

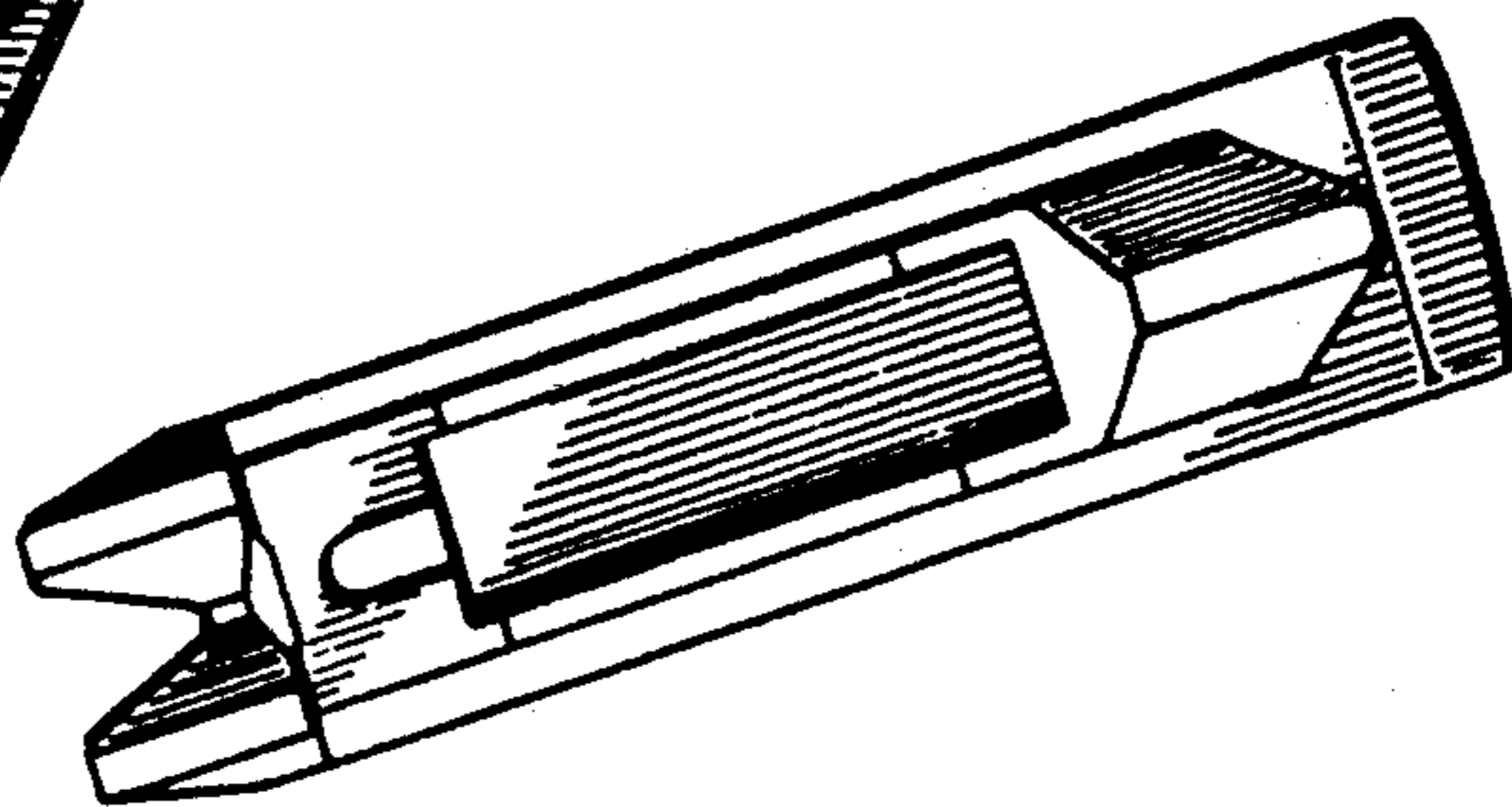


FIG. 4