



US00D335127S

United States Patent [19] Stambaugh

[11] Patent Number: **Des. 335,127**

[45] Date of Patent: **** Apr. 27, 1993**

[54] **TAPE PLAYBACK DEVICE**

[76] Inventor: **Jack Stambaugh**, 2553 S. 3rd St.,
Steelton, Pa. 17113

[**] Term: **14 Years**

[21] Appl. No.: **541,362**

[22] Filed: **Jun. 21, 1990**

[52] U.S. Cl. **D14/135**

[58] Field of Search **D14/154, 160-172,**
D14/188-198, 257, 259, 265, 299, 135; 455/344,
347, 350, 351; 312/7.1

D. 327,680 7/1992 Shimazu D14/162
4,395,466 7/1983 Ogawa .
4,719,513 1/1988 Peterson .
4,809,089 2/1989 Richie .

Primary Examiner—Theodore M. Shooman
Attorney, Agent, or Firm—Terry M. Gernstein

[57] CLAIM

The ornamental design for a tape playback device, as shown and described.

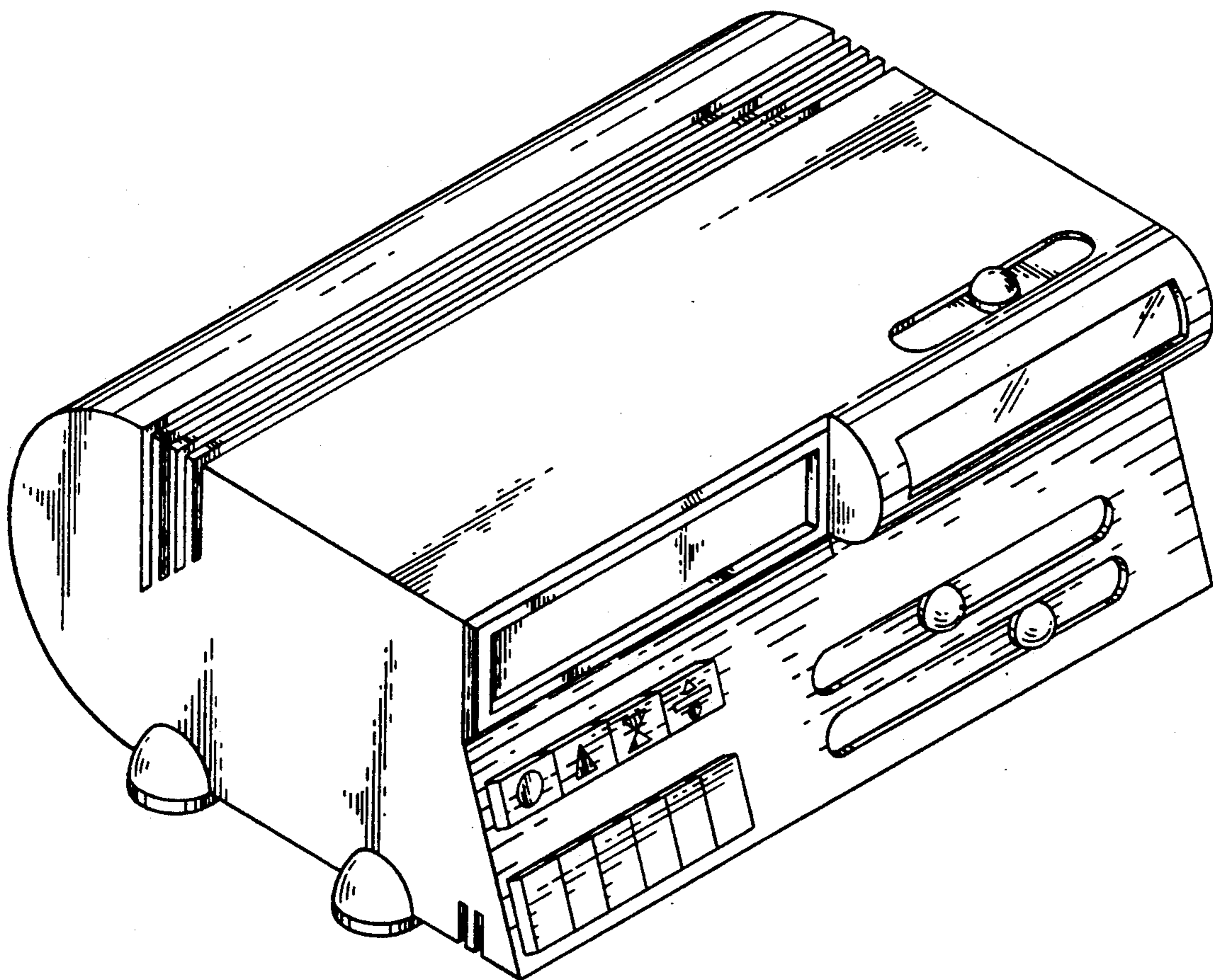
DESCRIPTION

FIG. 1 is a perspective view of the tape playback device embodying the design of the present invention; FIG. 2 is a top plan view thereof; FIG. 3 is a bottom view thereof; FIG. 4 is an end elevational view thereof, the end opposite being a mirror image of the end shown in FIG. 4; and, FIG. 5 is a rear elevational view thereof.

[56] References Cited

U.S. PATENT DOCUMENTS

D. 258,057 1/1981 Takanaga et al. D14/135
D. 304,334 10/1989 Ohya et al. D14/135
D. 312,084 11/1990 Lee D14/164
D. 321,190 10/1991 Ito et al. D14/135 X



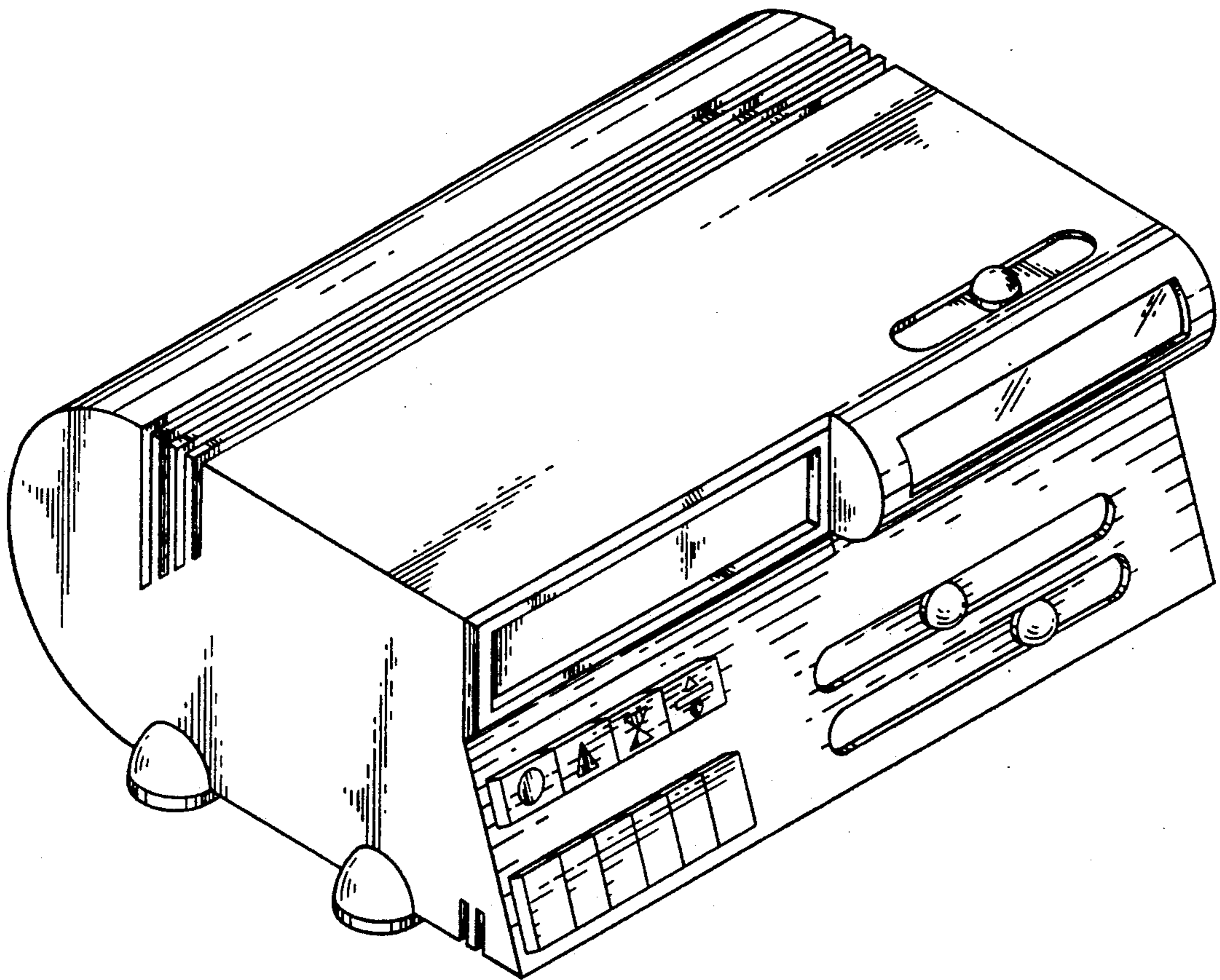


Fig. 1

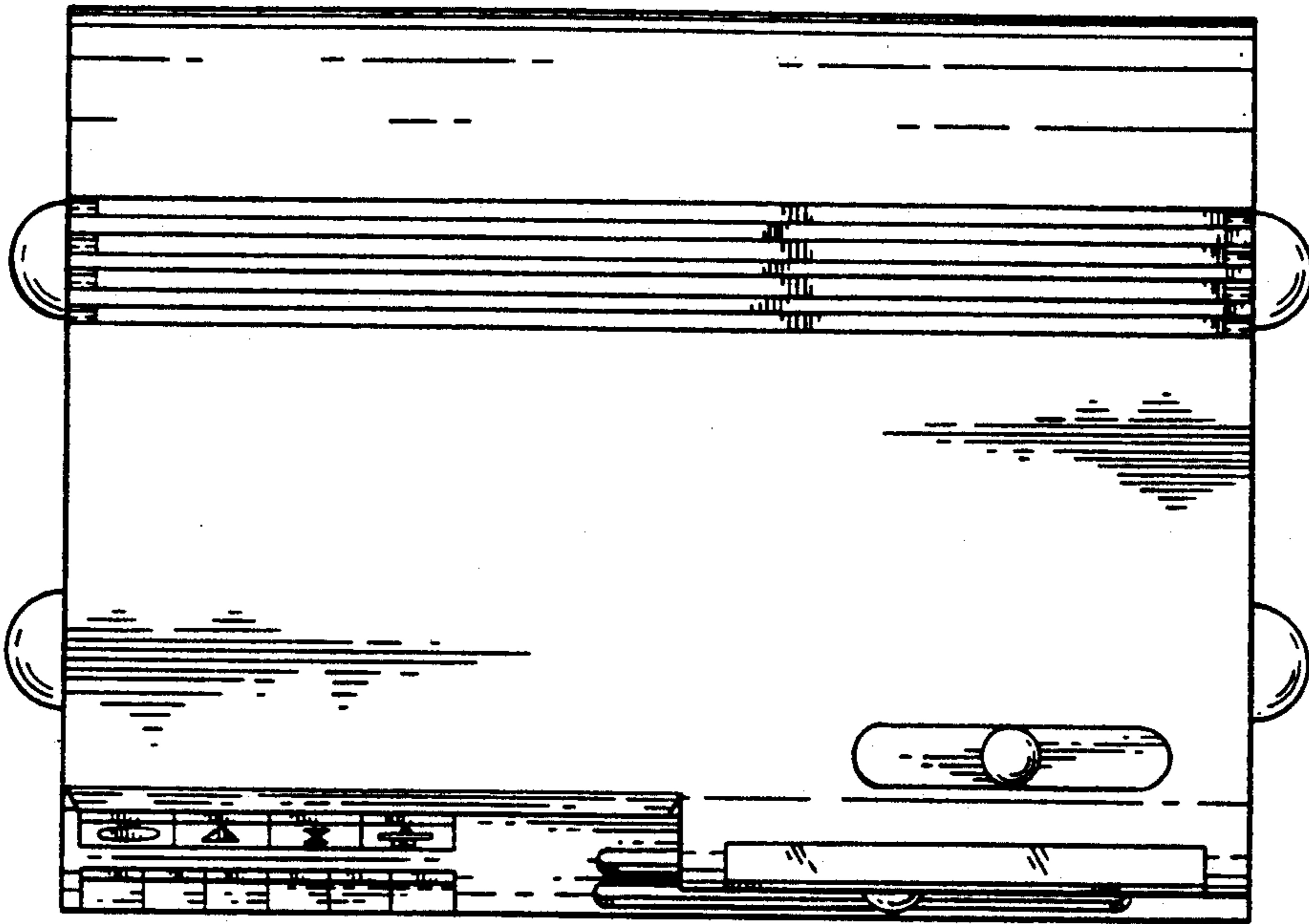


Fig. 2

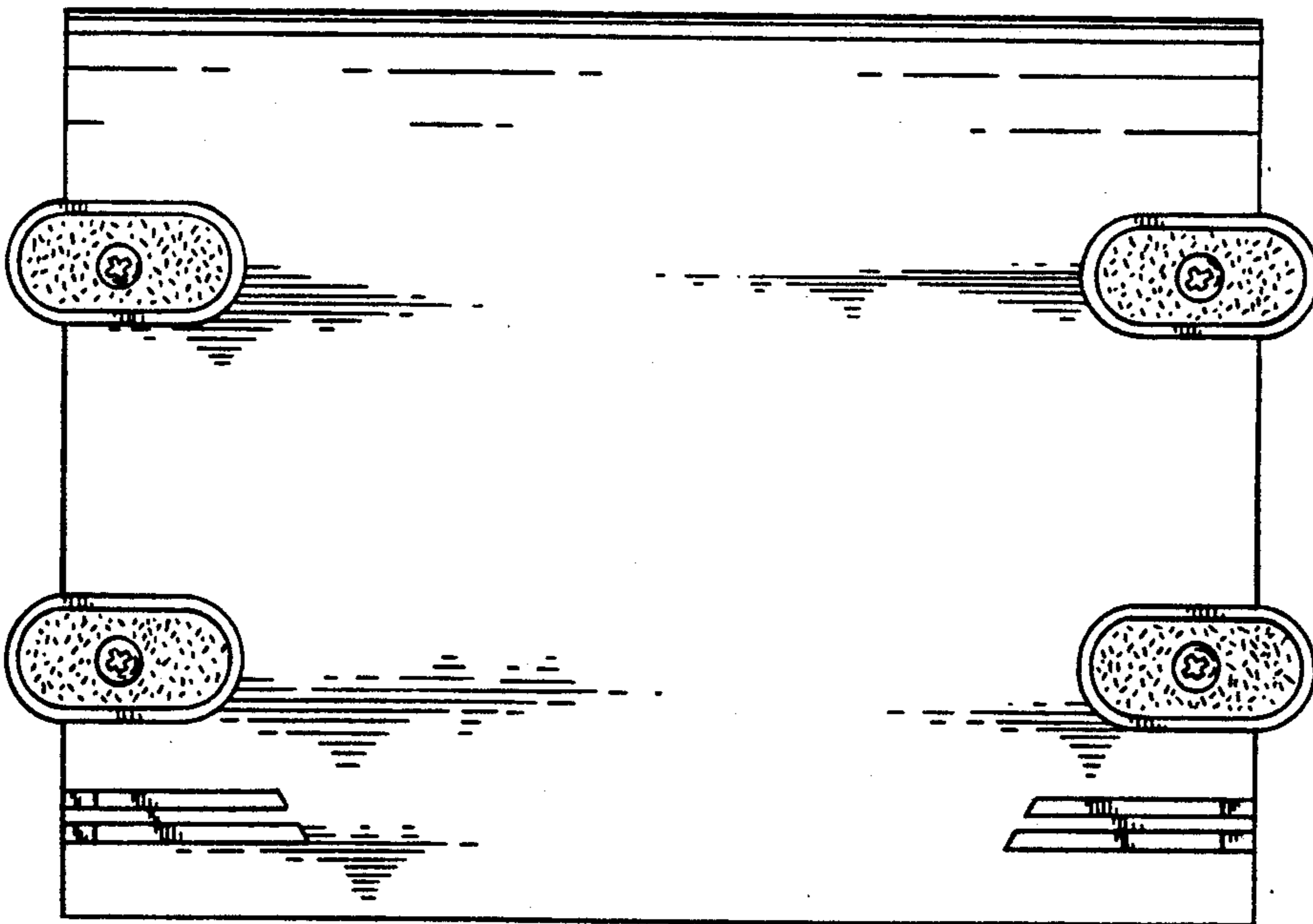


Fig. 3

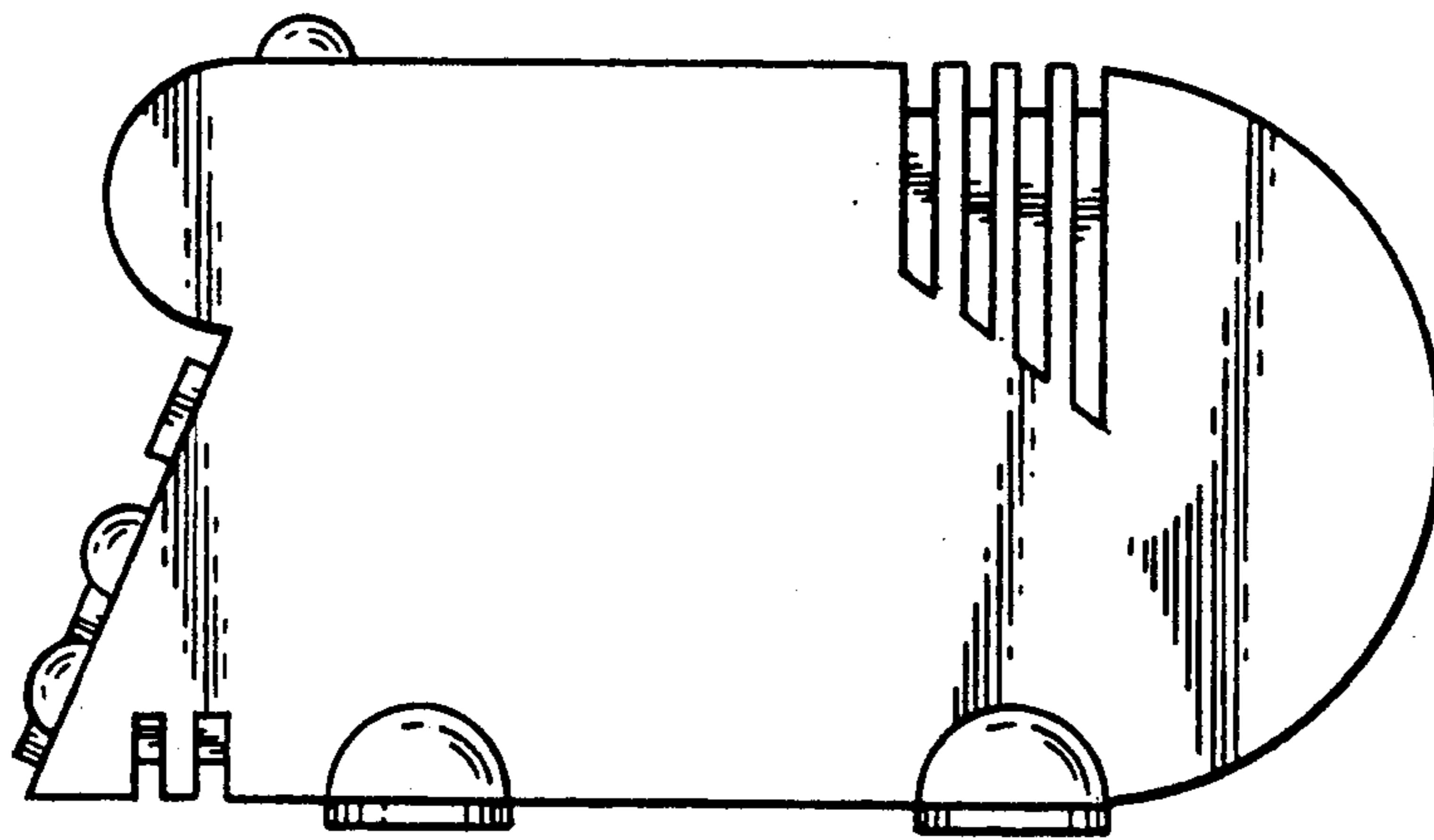


Fig. 4

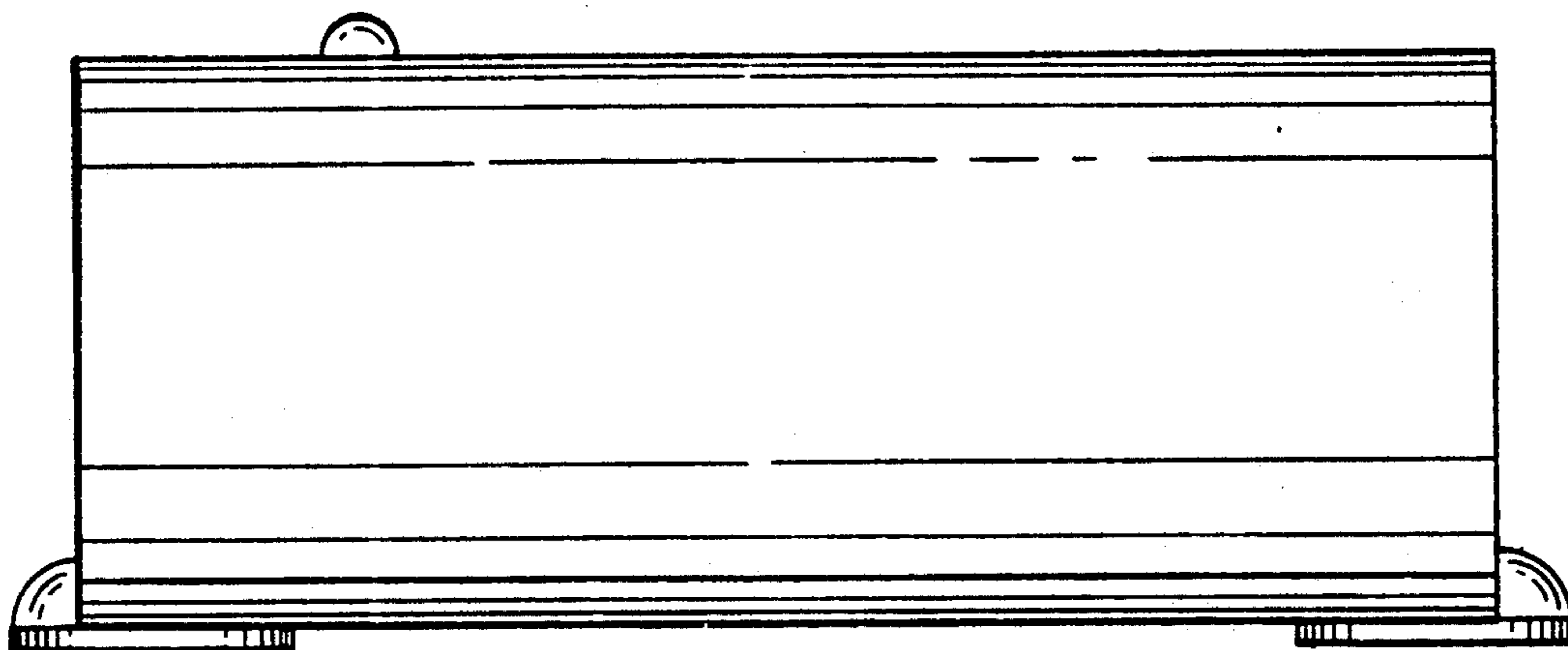


Fig. 5