



US00D335122S

# United States Patent [19]

[11] Patent Number: Des. 335,122

Hughes

[45] Date of Patent: \*\* Apr. 27, 1993

## [54] TRAILER PLUG ADAPTER

[76] Inventor: Michael Hughes, P.O. Box 1379, Berthoud, Colo. 80513

[\*\*] Term: 14 Years

[21] Appl. No.: 797,104

[22] Filed: Nov. 25, 1991

[52] U.S. Cl. .... D13/146

[58] Field of Search ..... D13/133, 146, 147, 154; 429/178; 439/35, 299, 300, 503, 638, 650, 653, 668, 675, 678, 679, 680, 908

## [56] References Cited

### U.S. PATENT DOCUMENTS

D. 249,502	9/1978	Rink et al. ....	D13/147
D. 300,820	4/1989	Orbanic .....	D13/147
4,057,310	11/1977	Young .....	439/35
4,061,407	12/1977	Snow .....	D13/154 X
4,555,451	11/1985	Harrod et al. ....	429/178 X
4,718,853	1/1988	Orbanic .....	439/35
4,781,393	11/1988	Jeter .....	439/35 X
4,842,524	6/1989	Hopkins .....	439/35 X
5,080,594	1/1992	Swinford .....	439/35

### FOREIGN PATENT DOCUMENTS

1202348 8/1970 United Kingdom ..... 439/689

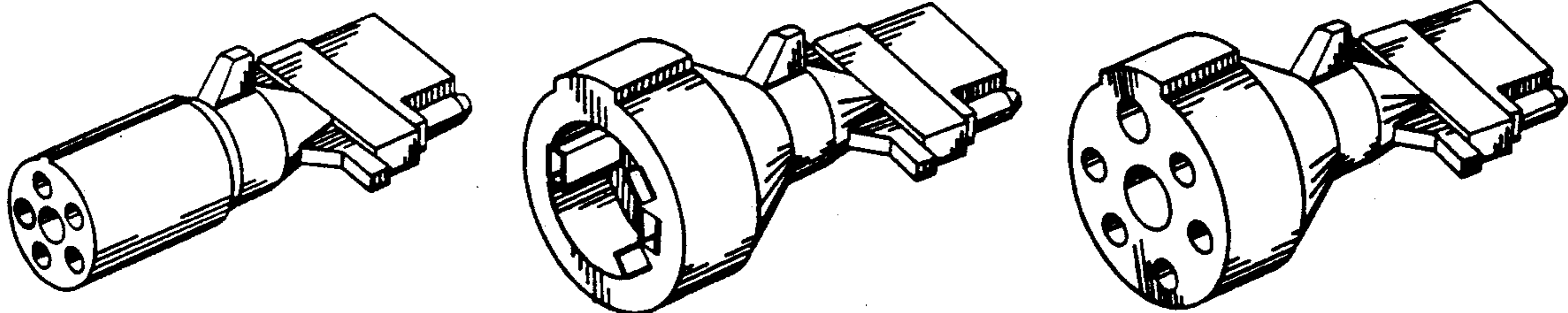
Primary Examiner—Wallace R. Burke  
Assistant Examiner—Joel Sincavage

## [57] CLAIM

The ornamental design for a trailer plug adapter, substantially as shown and described.

## DESCRIPTION

FIG. 1 is a perspective view showing a first embodiment of my trailer plug adapter;  
 FIG. 2 is a left side view thereof;  
 FIG. 3 is a front view thereof;  
 FIG. 4 is a right side view thereof;  
 FIG. 5 is a rear view thereof;  
 FIG. 6 is a top view thereof;  
 FIG. 7 is a bottom view thereof;  
 FIG. 8 is a perspective view showing a second embodiment of my trailer plug adapter;  
 FIG. 9 is a left side view thereof;  
 FIG. 10 is a front view thereof;  
 FIG. 11 is a right side view thereof;  
 FIG. 12 is a rear view thereof;  
 FIG. 13 is a top view thereof;  
 FIG. 14 is a bottom view thereof;  
 FIG. 15 is a perspective view showing a third embodiment of my trailer plug adapter;  
 FIG. 16 is a left side view thereof;  
 FIG. 17 is a front view thereof;  
 FIG. 18 is a right side view thereof;  
 FIG. 19 is a rear view thereof;  
 FIG. 20 is a top view thereof; and,  
 FIG. 21 is a bottom view thereof.



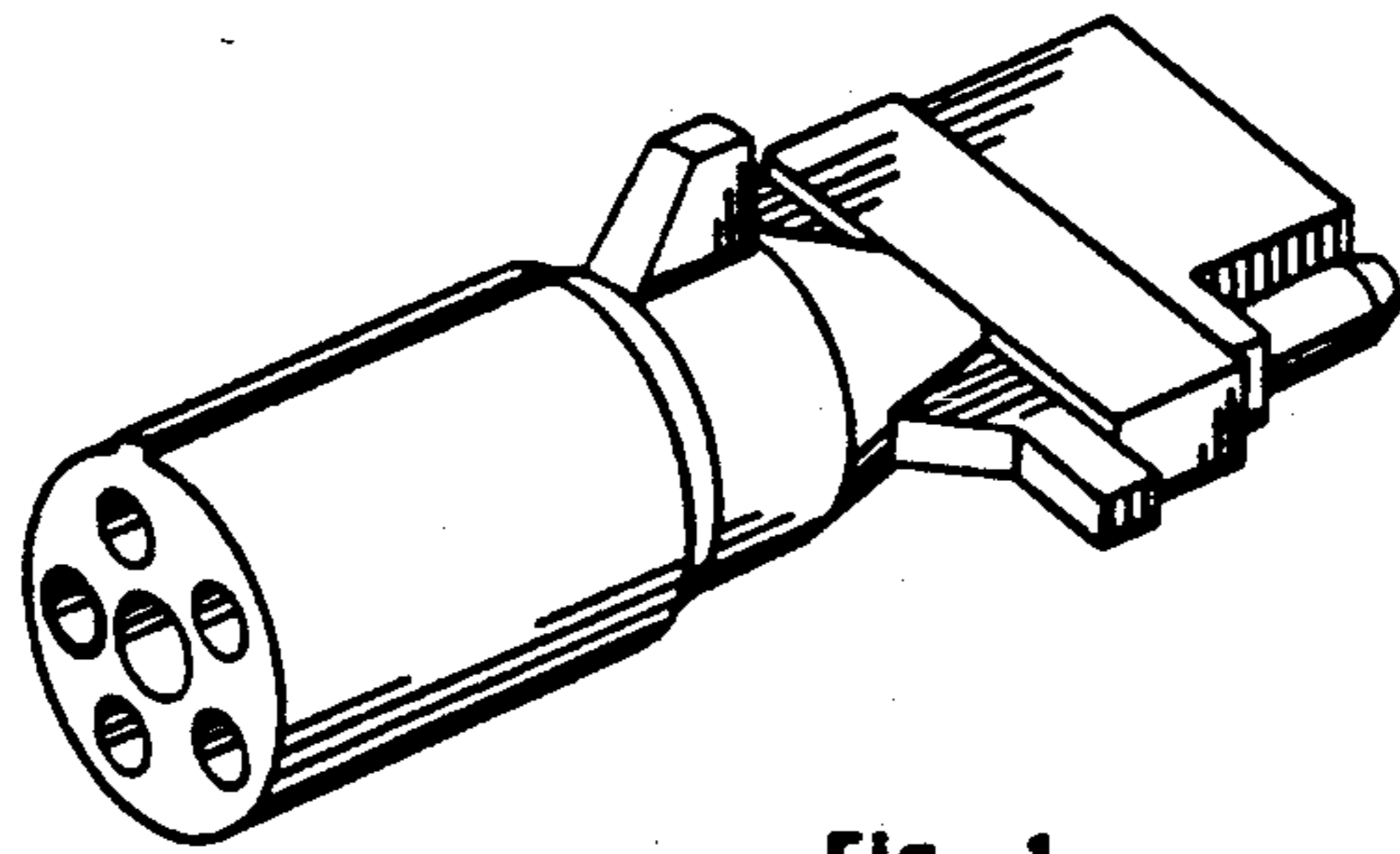


Fig. 1

Fig. 2

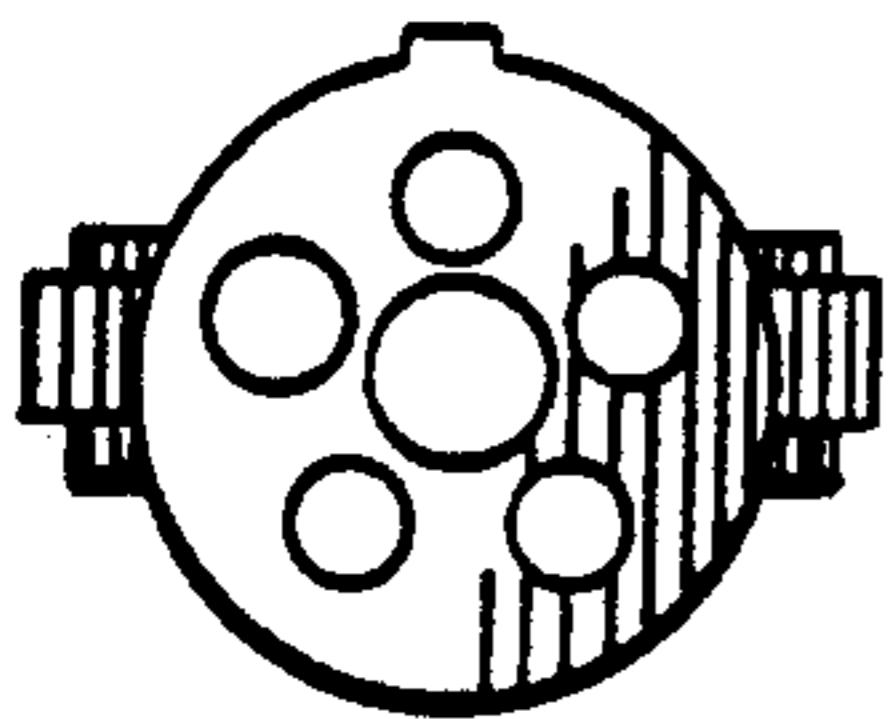


Fig. 3

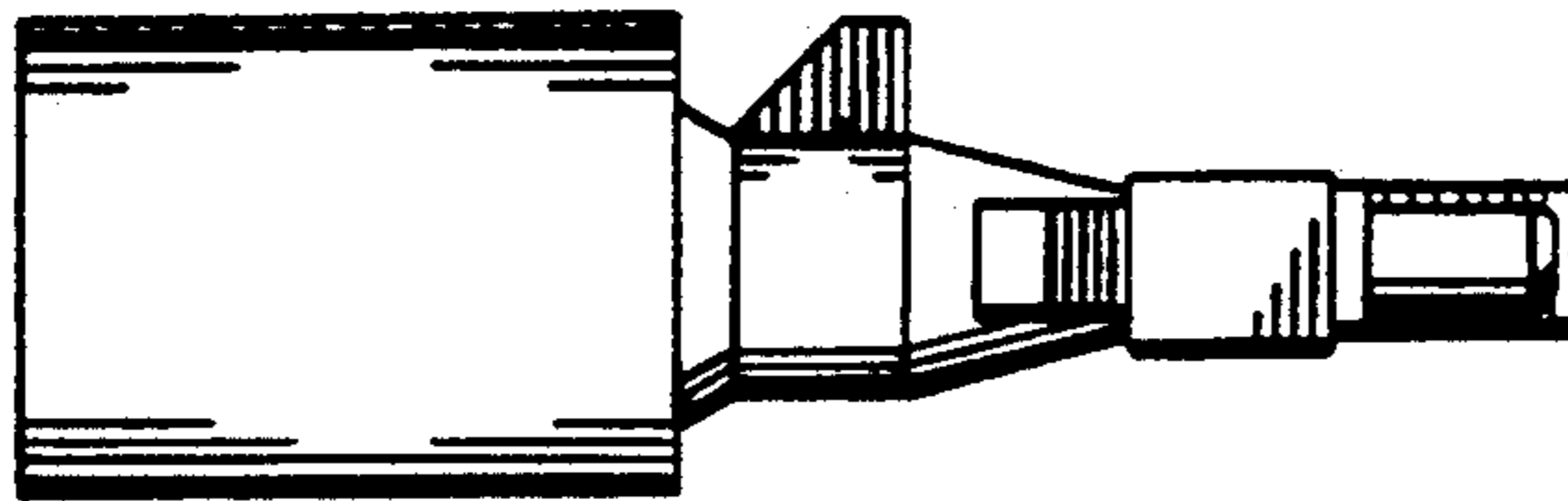


Fig. 4

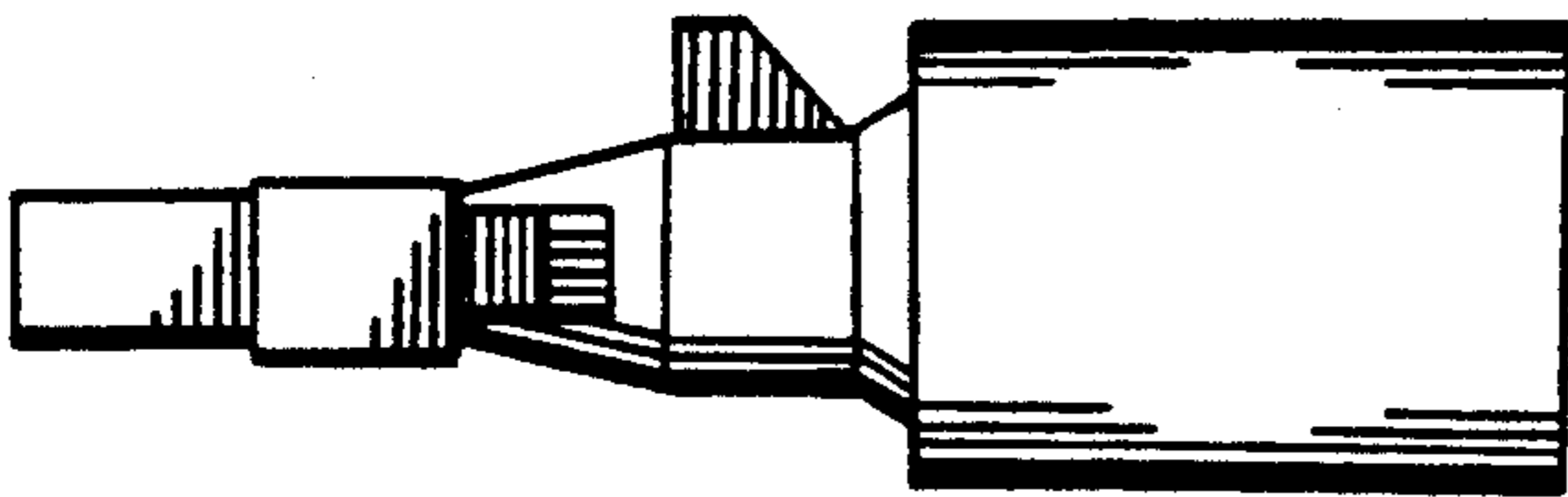
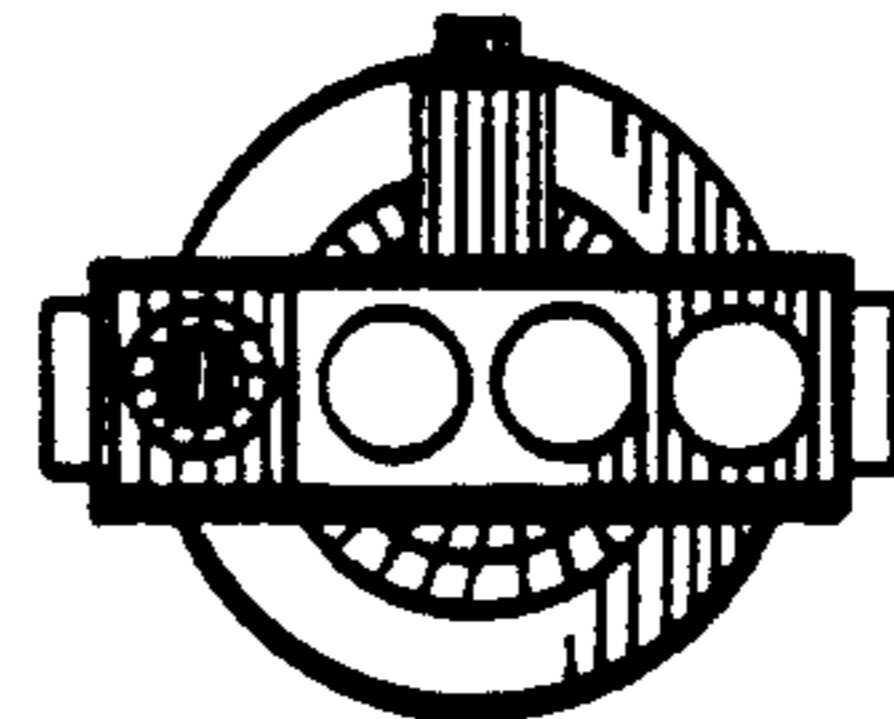


Fig. 5

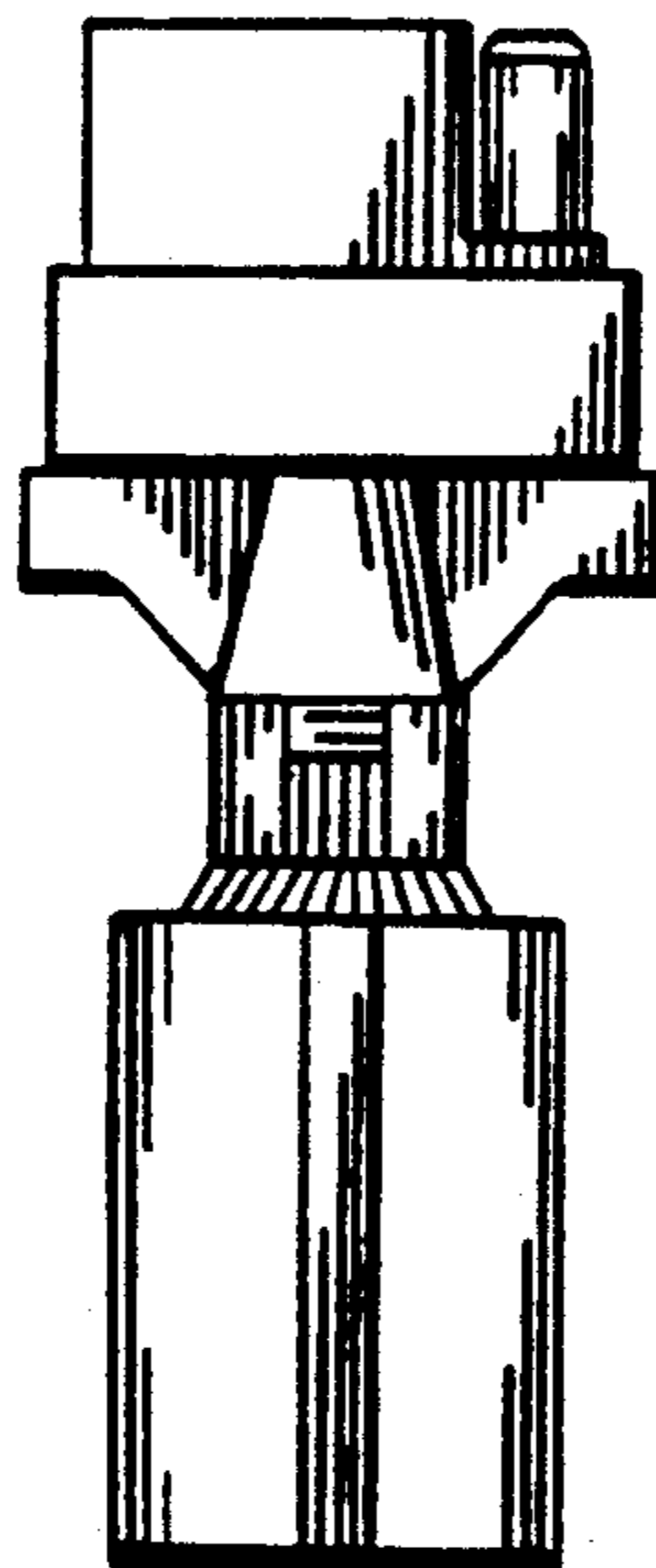


Fig. 6

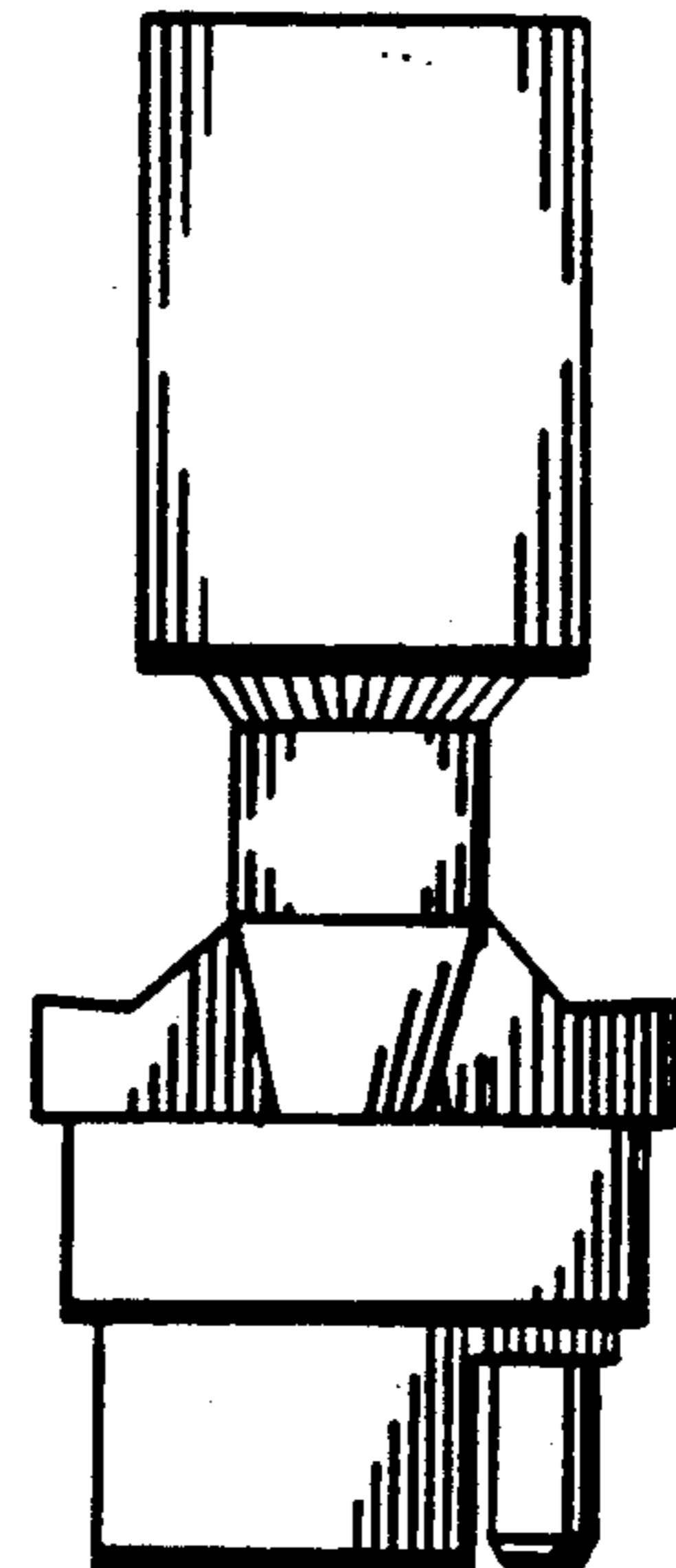


Fig. 7

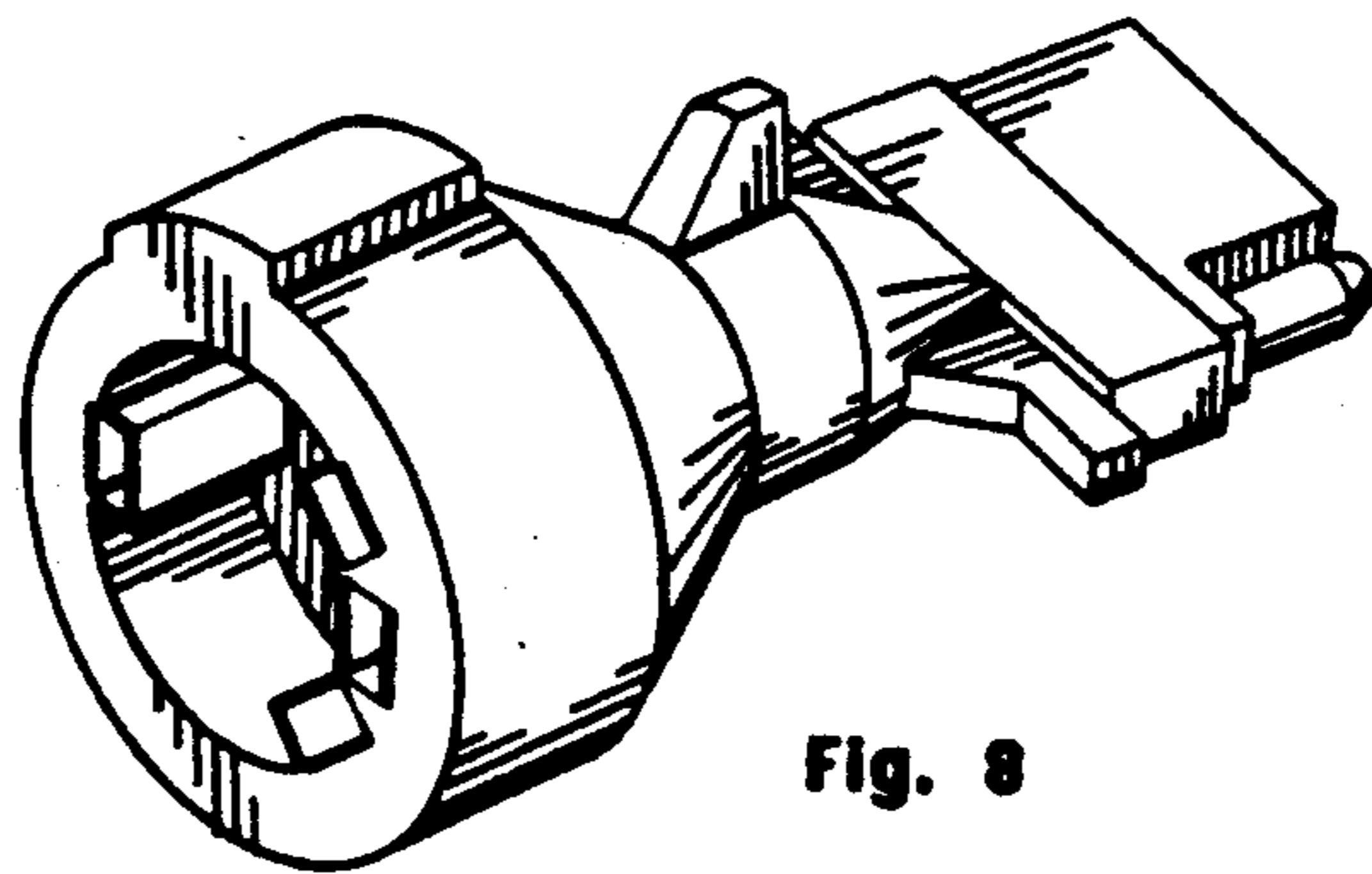


Fig. 8

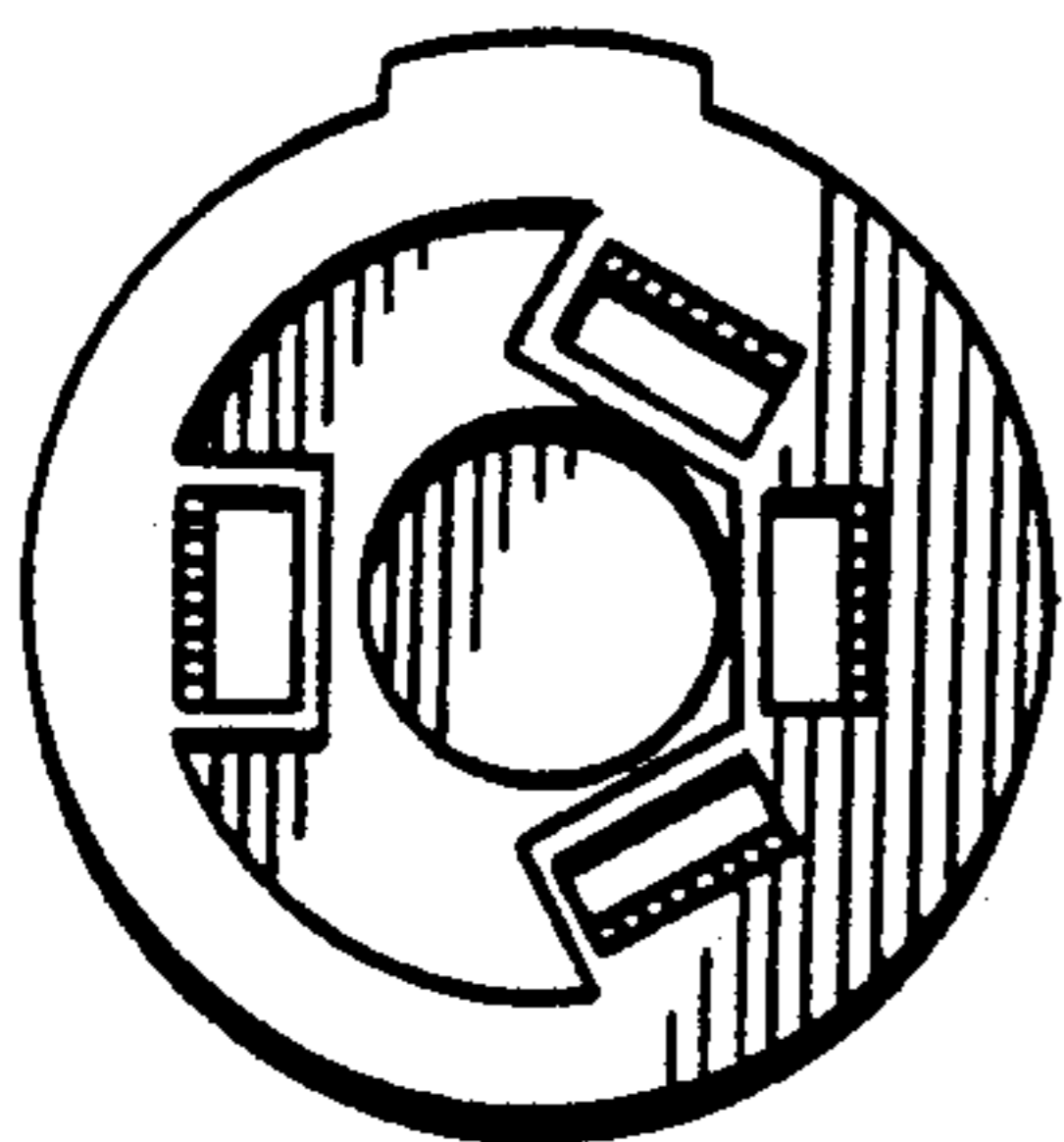


Fig. 9

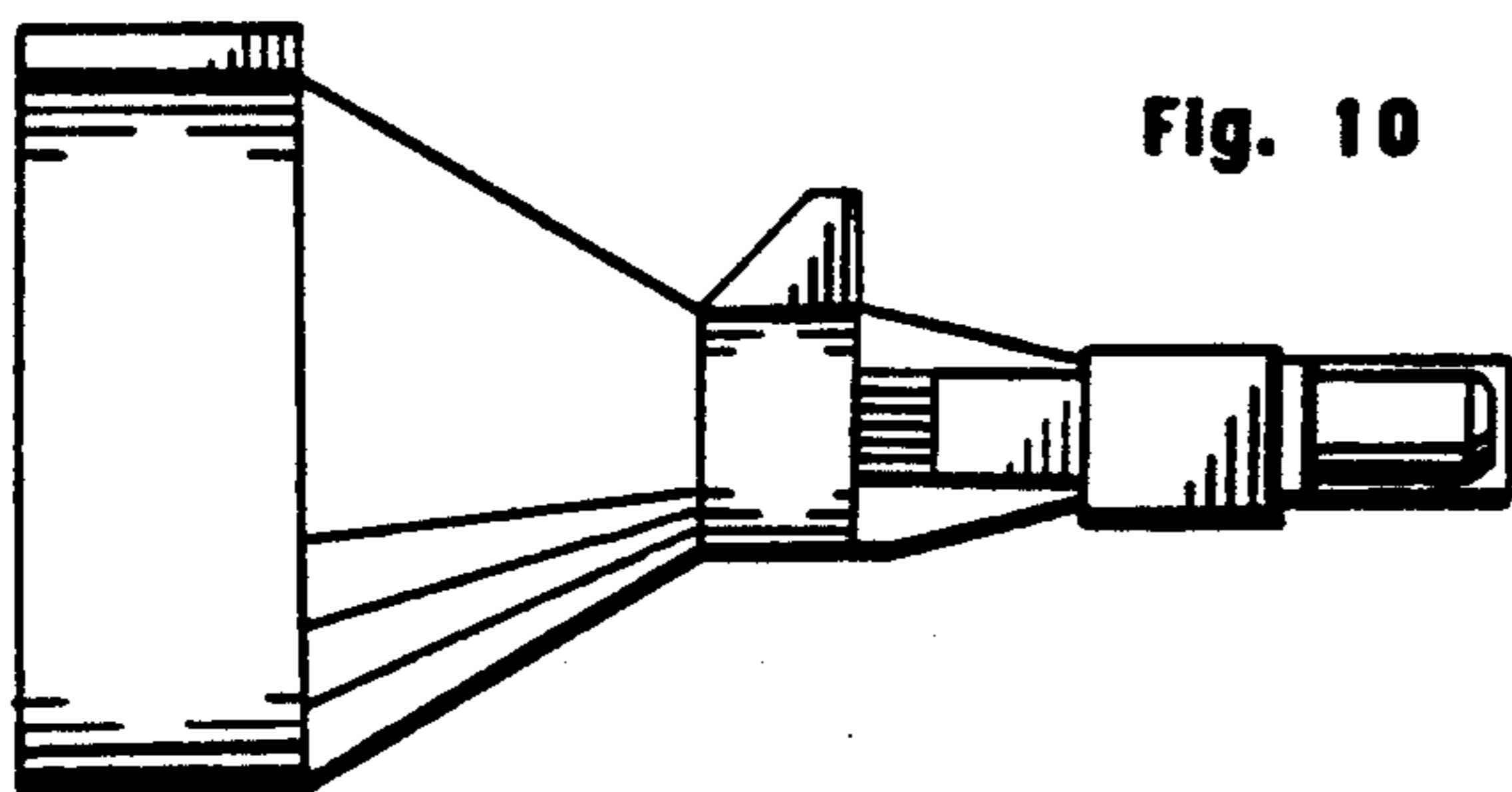


Fig. 10

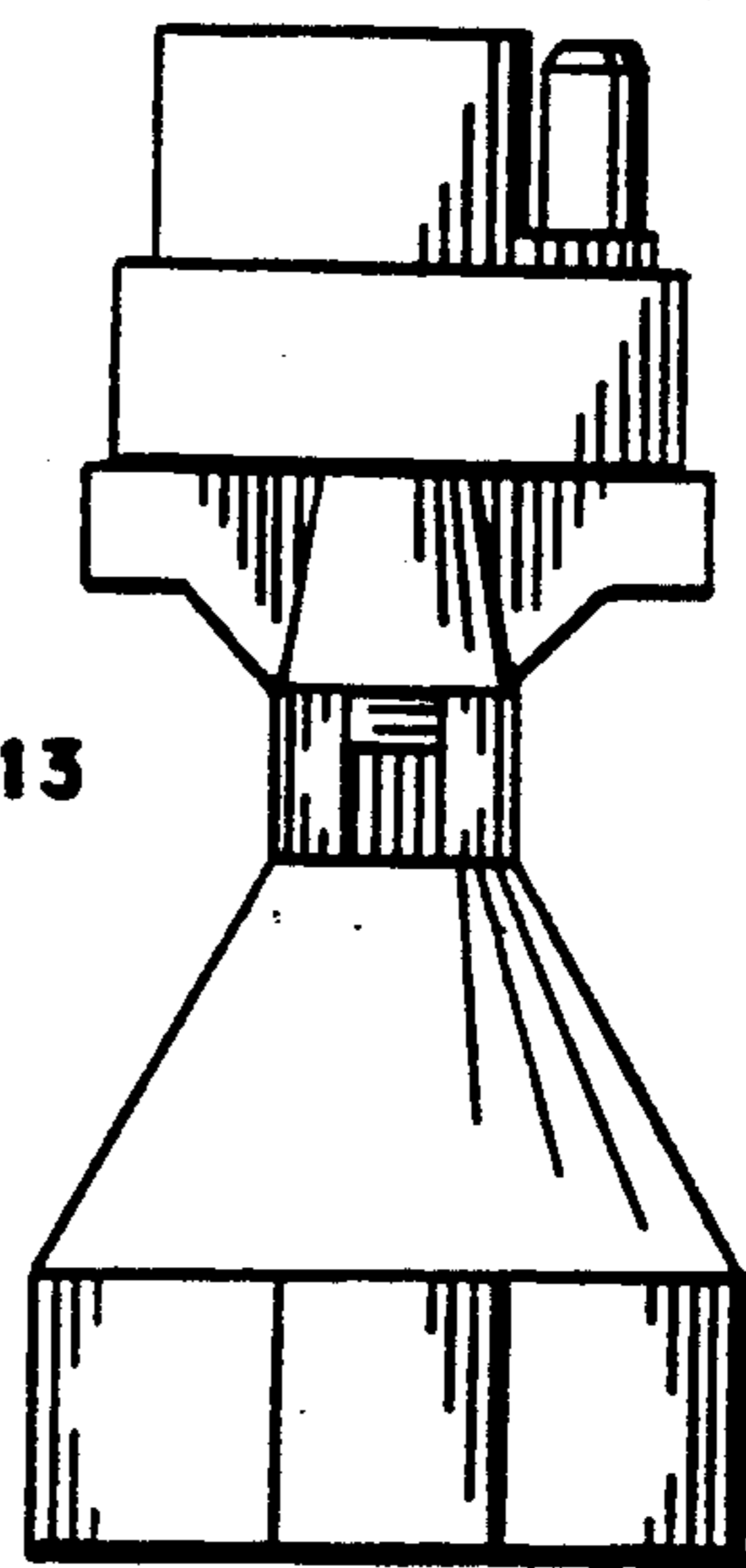


Fig. 13

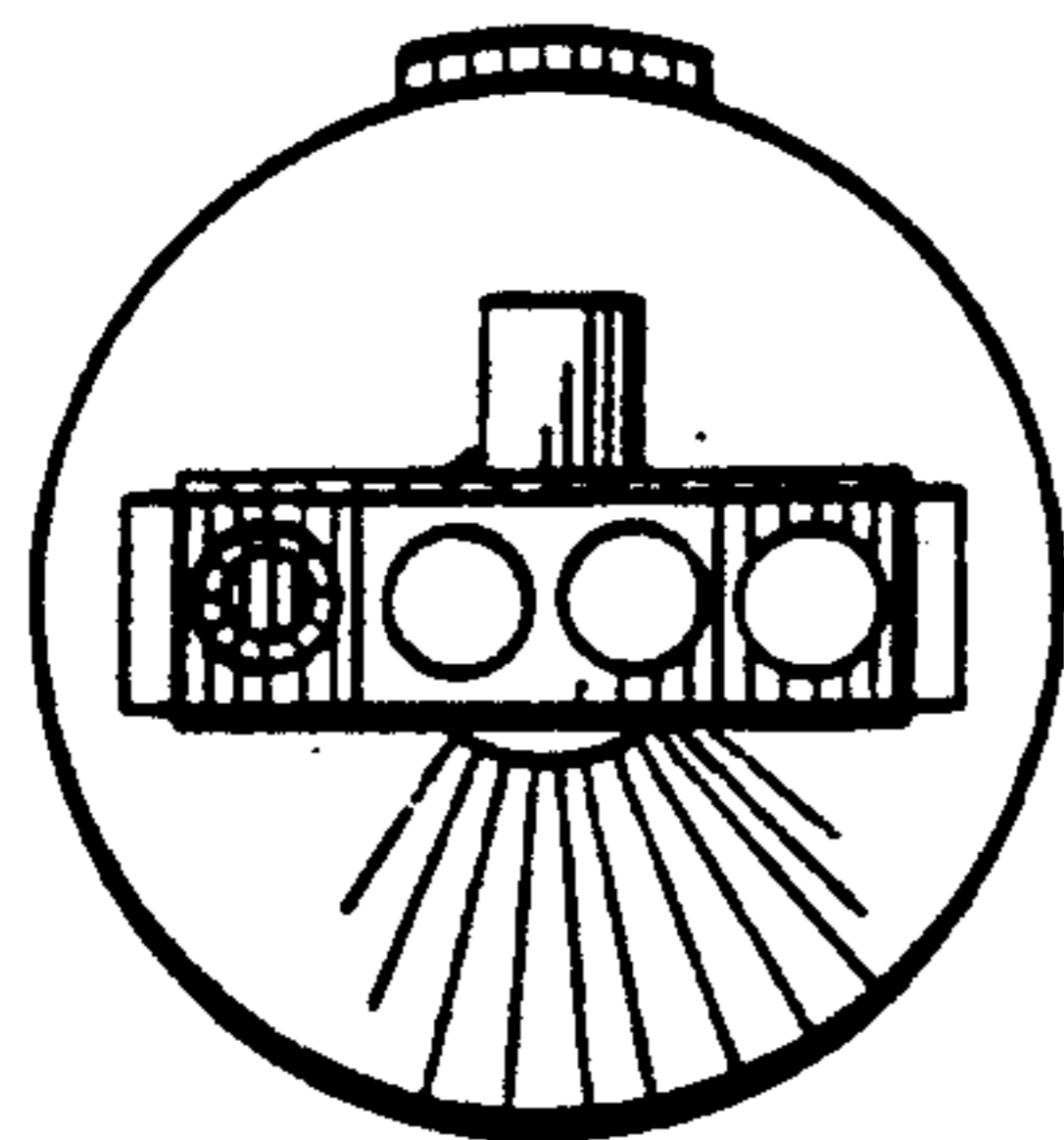


Fig. 11

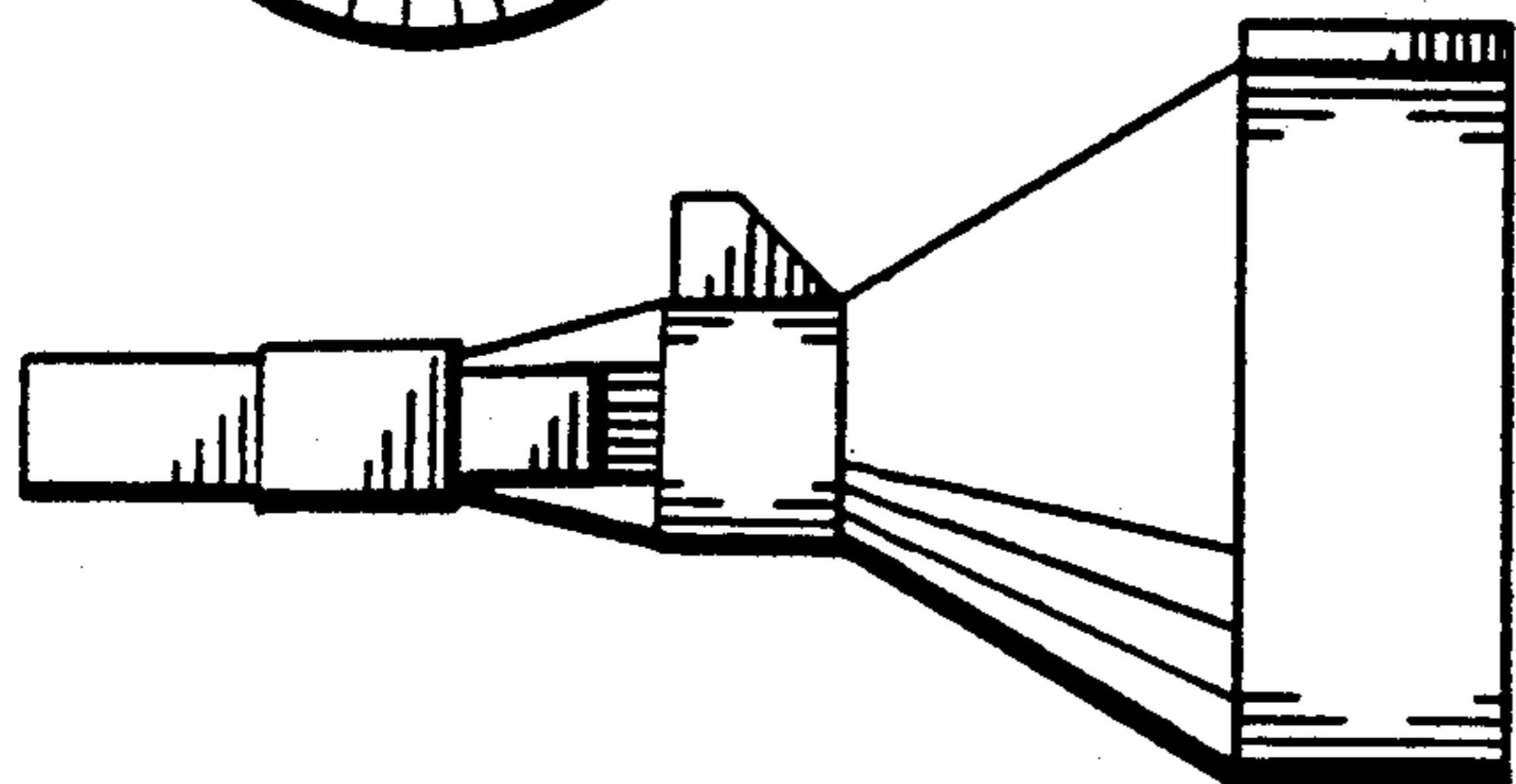


Fig. 12

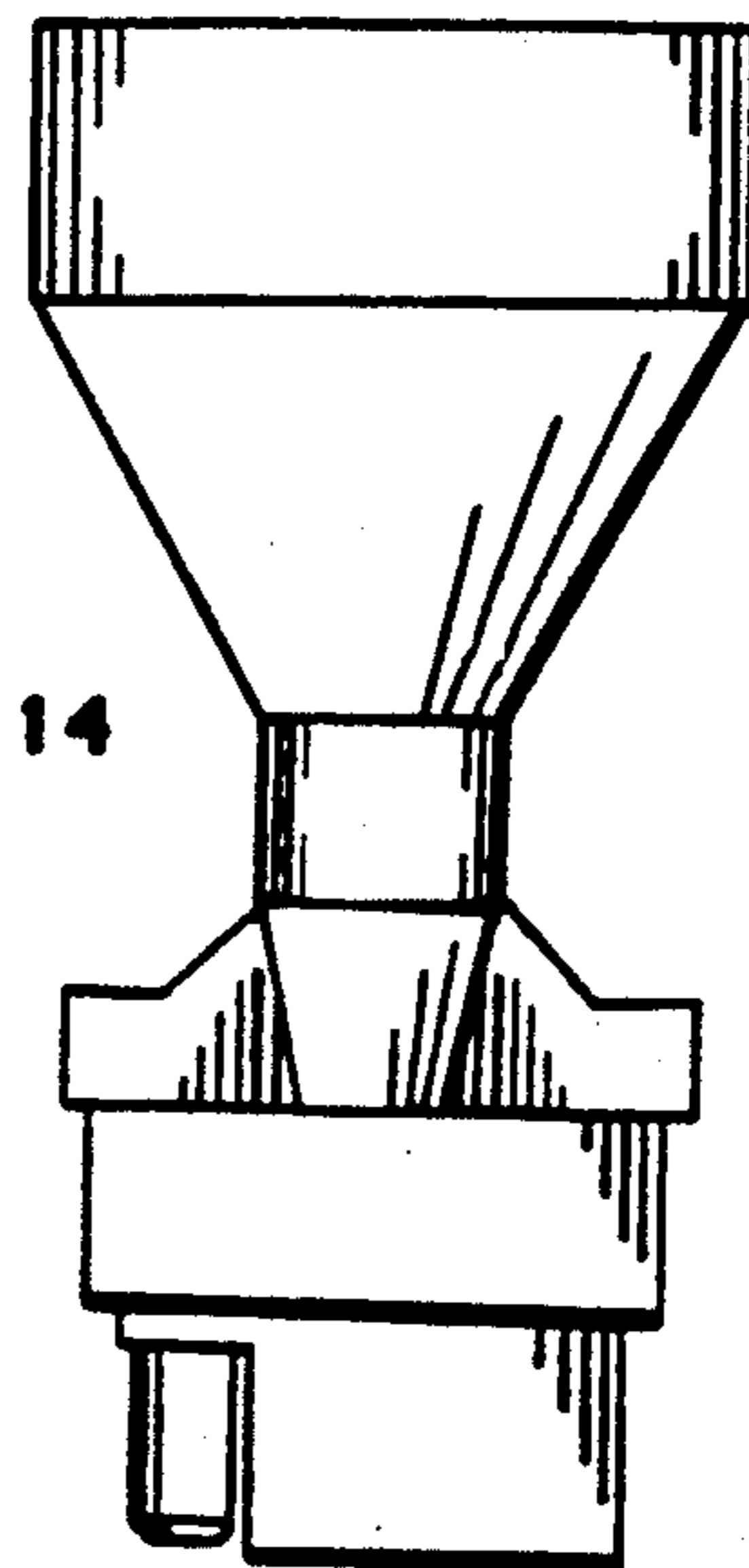


Fig. 14

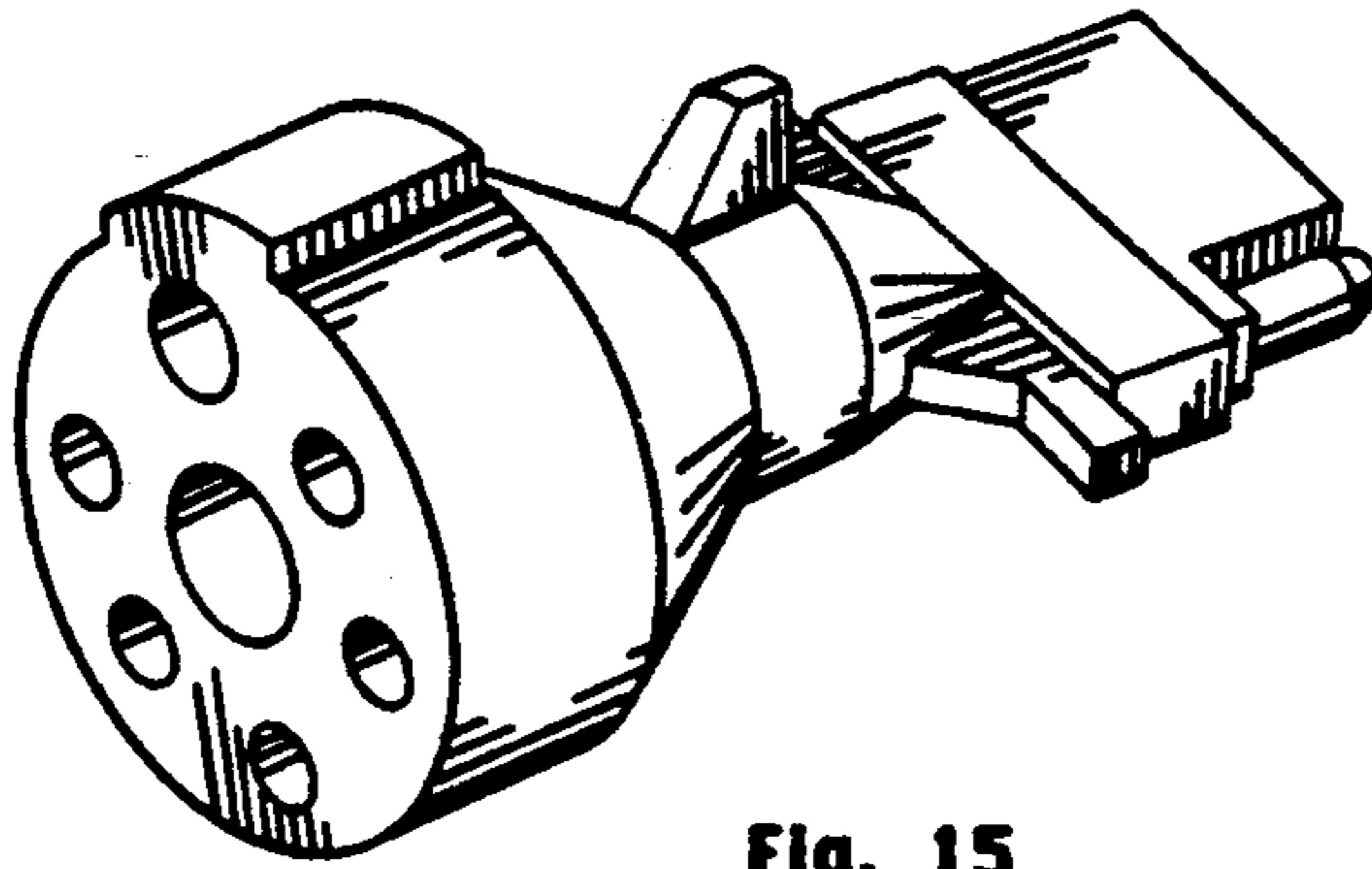


Fig. 15

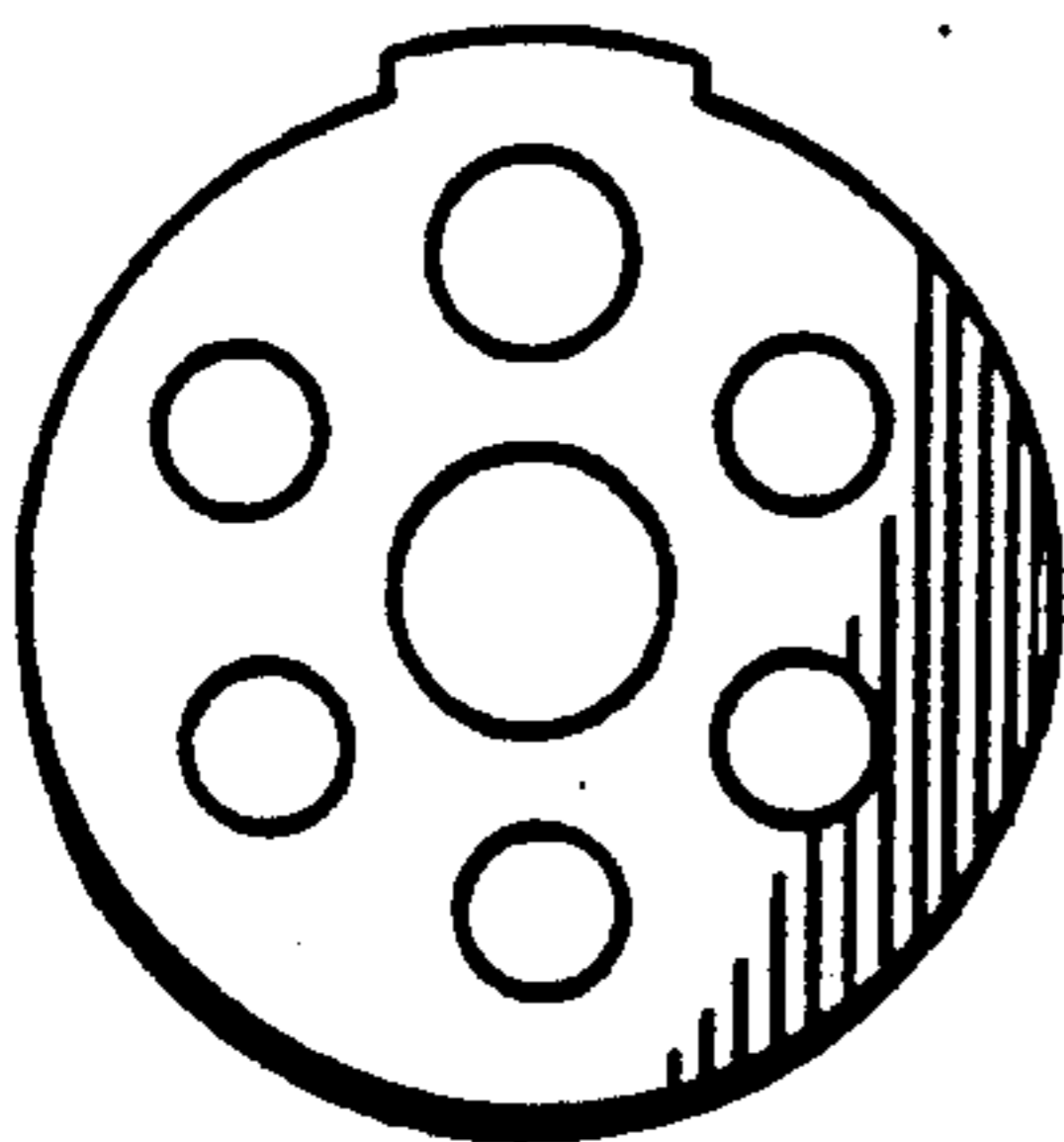


Fig. 16

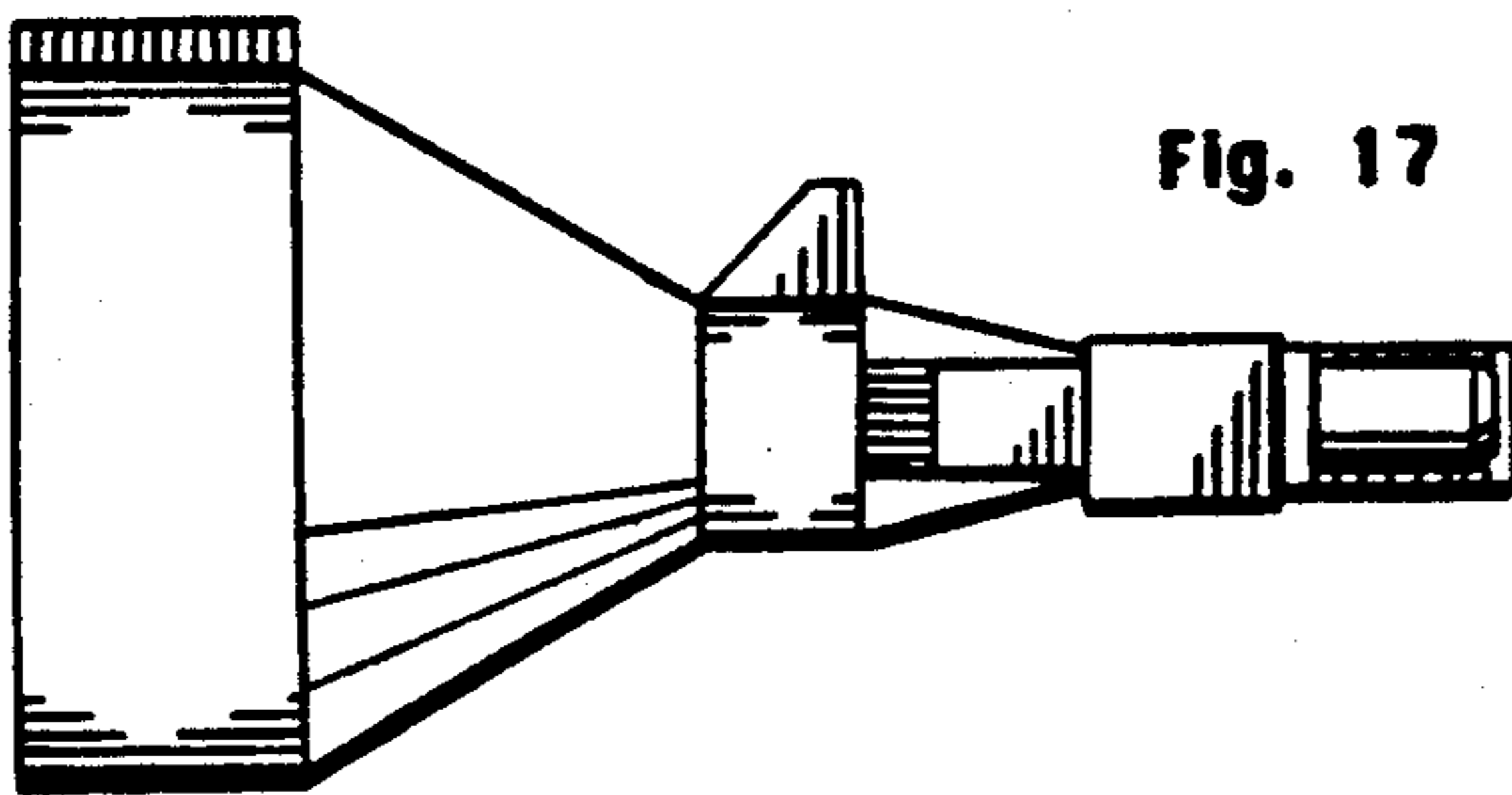


Fig. 17

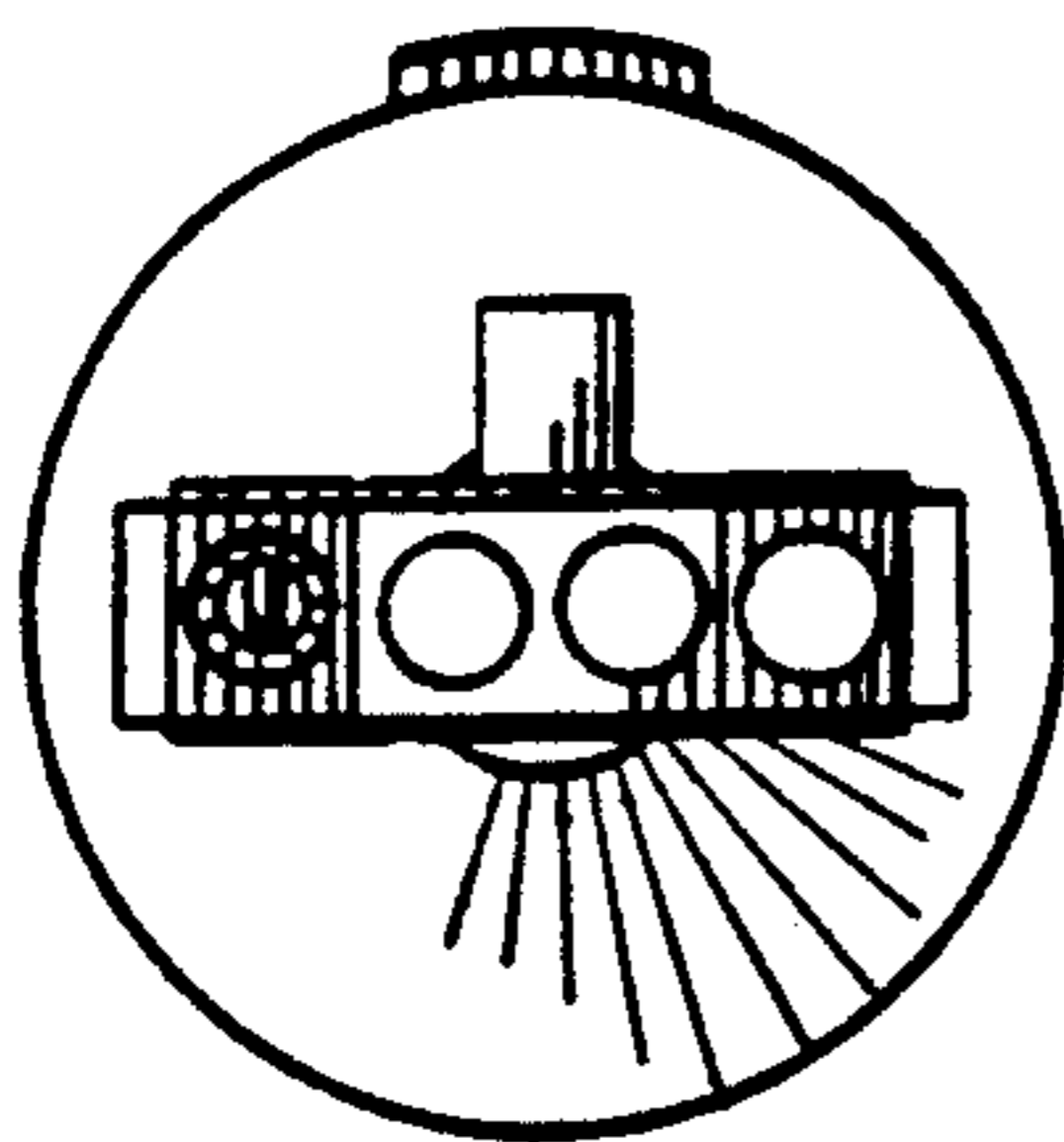


Fig. 18

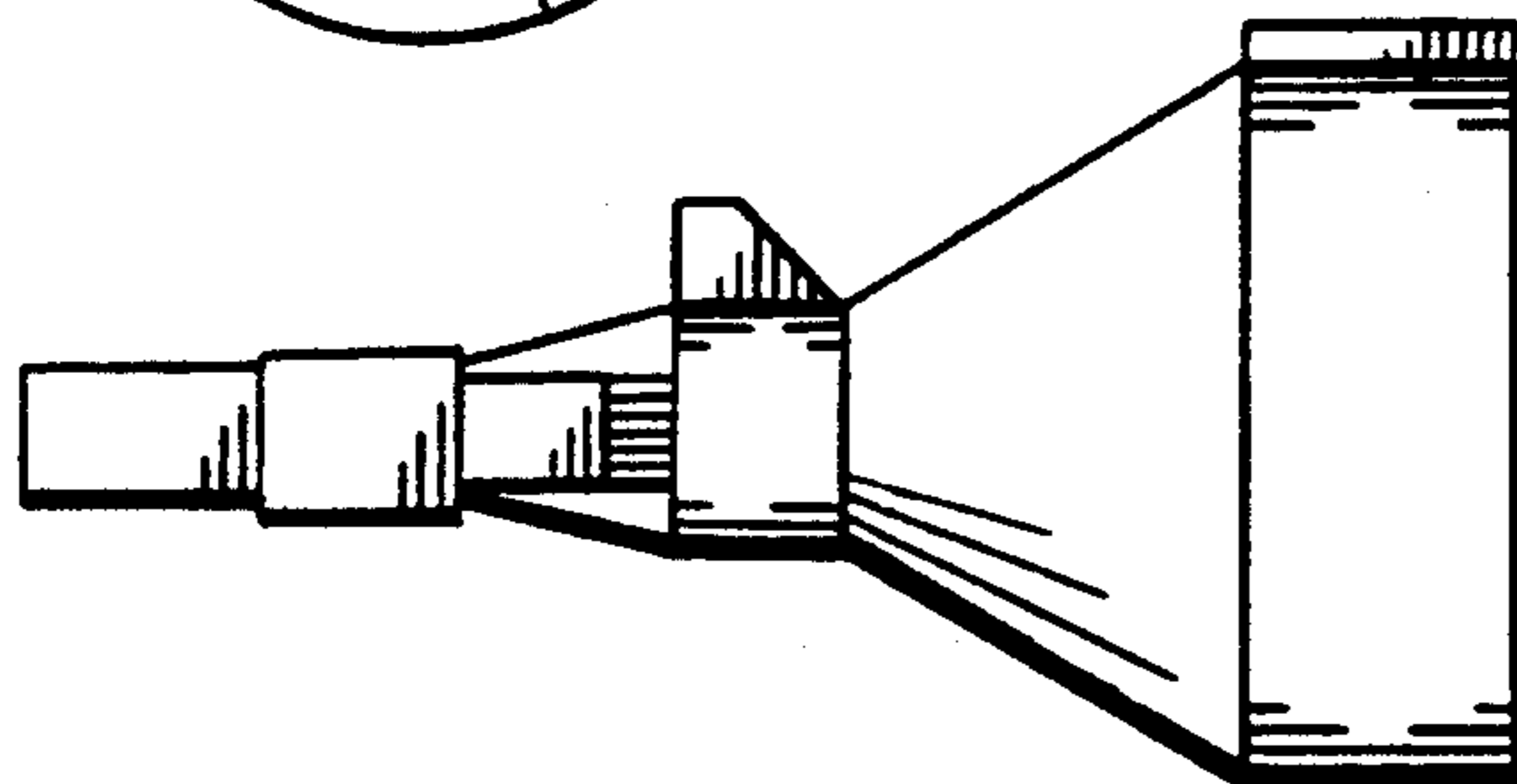


Fig. 19

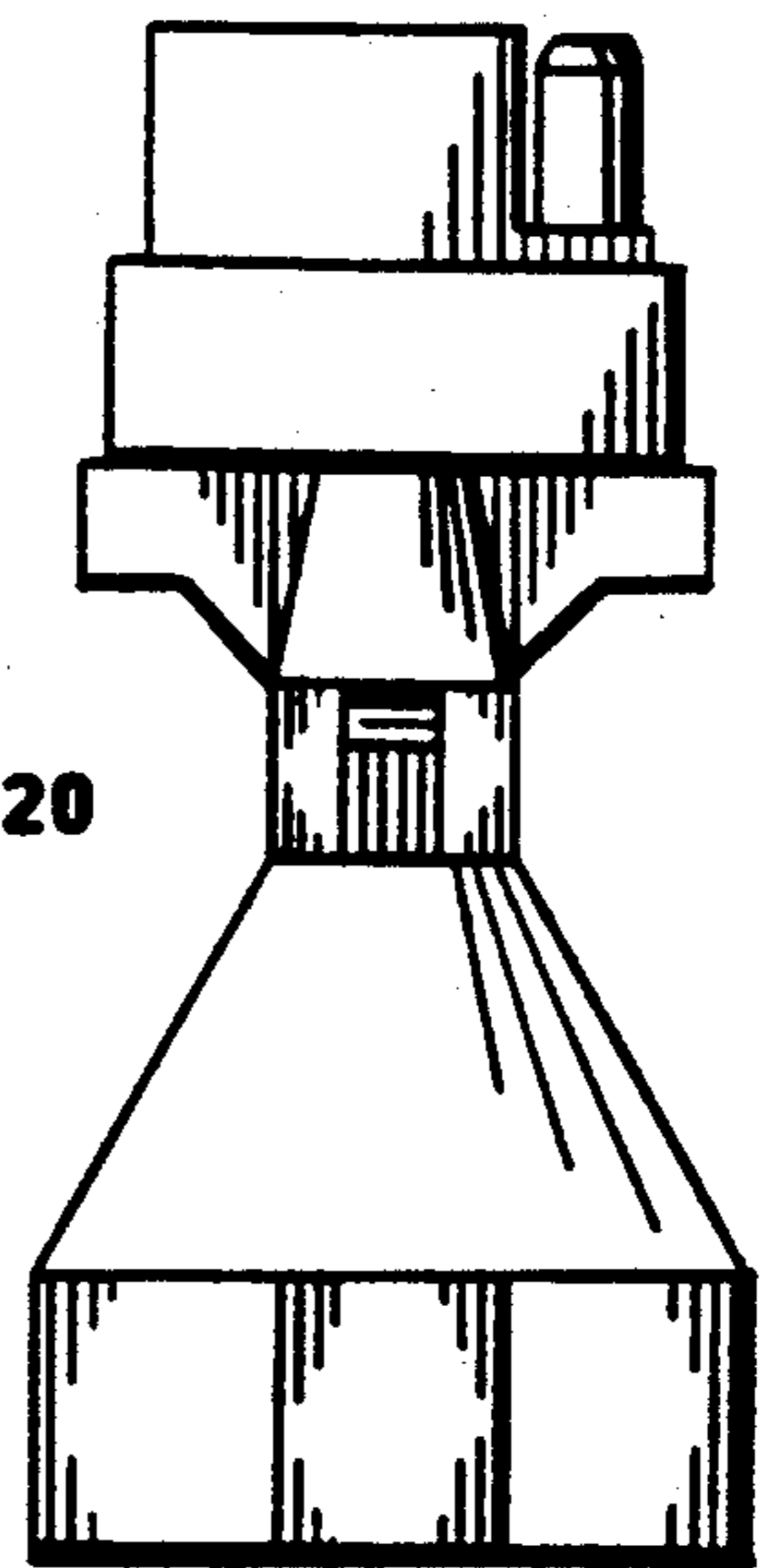


Fig. 20

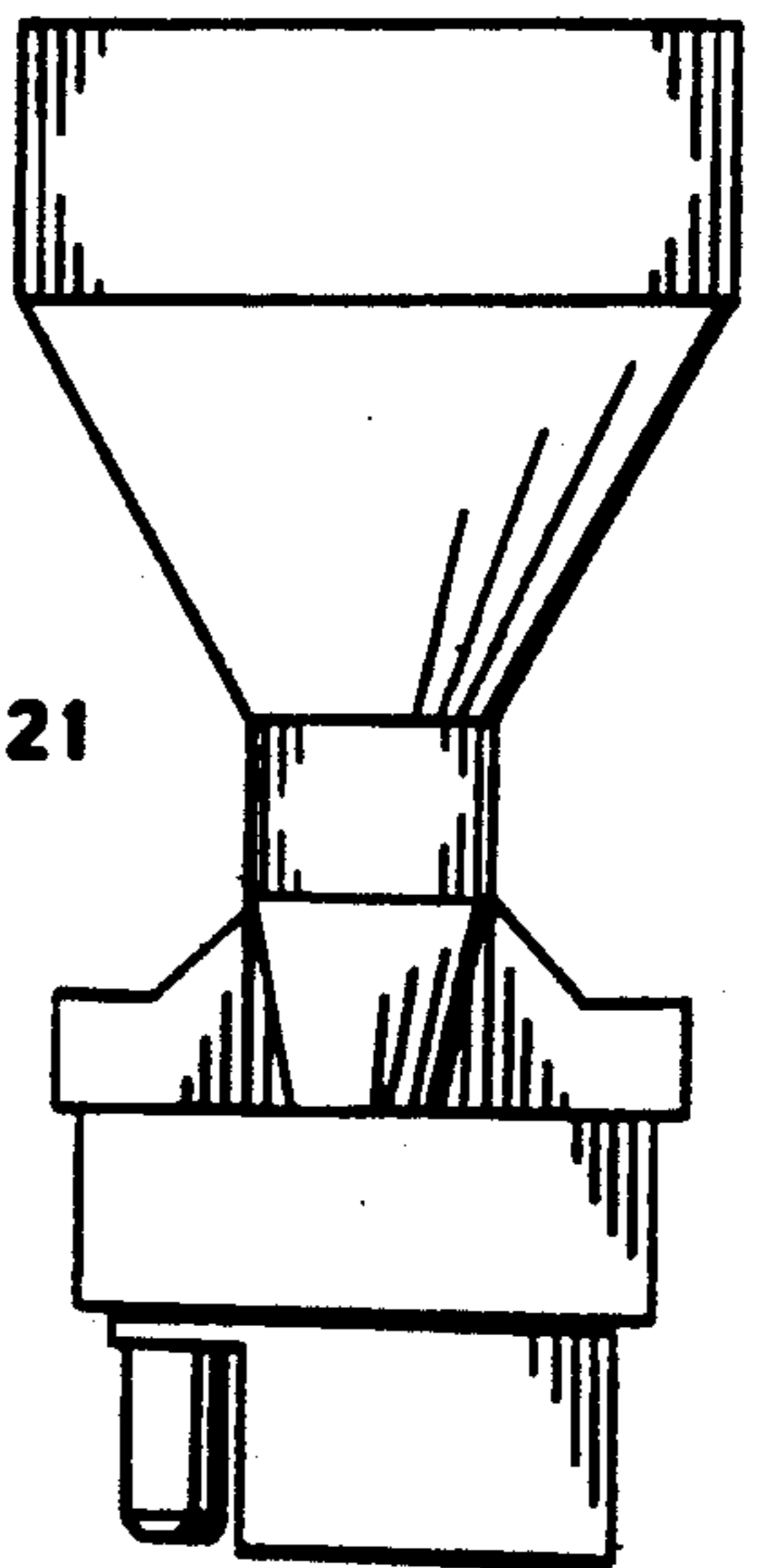


Fig. 21