



US00D335103S

United States Patent [19]

[11] Patent Number: **Des. 335,103**

Bichi

[45] Date of Patent: **** Apr. 27, 1993**

[54] **ORNAMENTAL CHAIN**

[75] Inventor: **Pasquale Bichi, Arezzo, Italy**

[73] Assignee: **M. Z. G. S.p.A., Arezzo, Italy**

[**] Term: **14 Years**

[21] Appl. No.: **537,527**

[22] Filed: **Jun. 13, 1990**

[30] **Foreign Application Priority Data**

Dec. 19, 1989 [IT] Italy 11776/89[U]

[52] U.S. Cl. **D11/6; D11/19**

[58] Field of Search **D11/1-25, D11/93, 94; 59/78, 78.1, 79.3-85, 90; 63/1.1-6**

[56] **References Cited**

U.S. PATENT DOCUMENTS

- D. 81,501 7/1930 Prestinari D11/20
- D. 148,125 12/1947 Augenstein D11/19

- D. 221,293 7/1971 Poon D11/19
- D. 286,385 10/1986 Bulgari D11/19
- 2,262,572 11/1941 Barmache 59/80

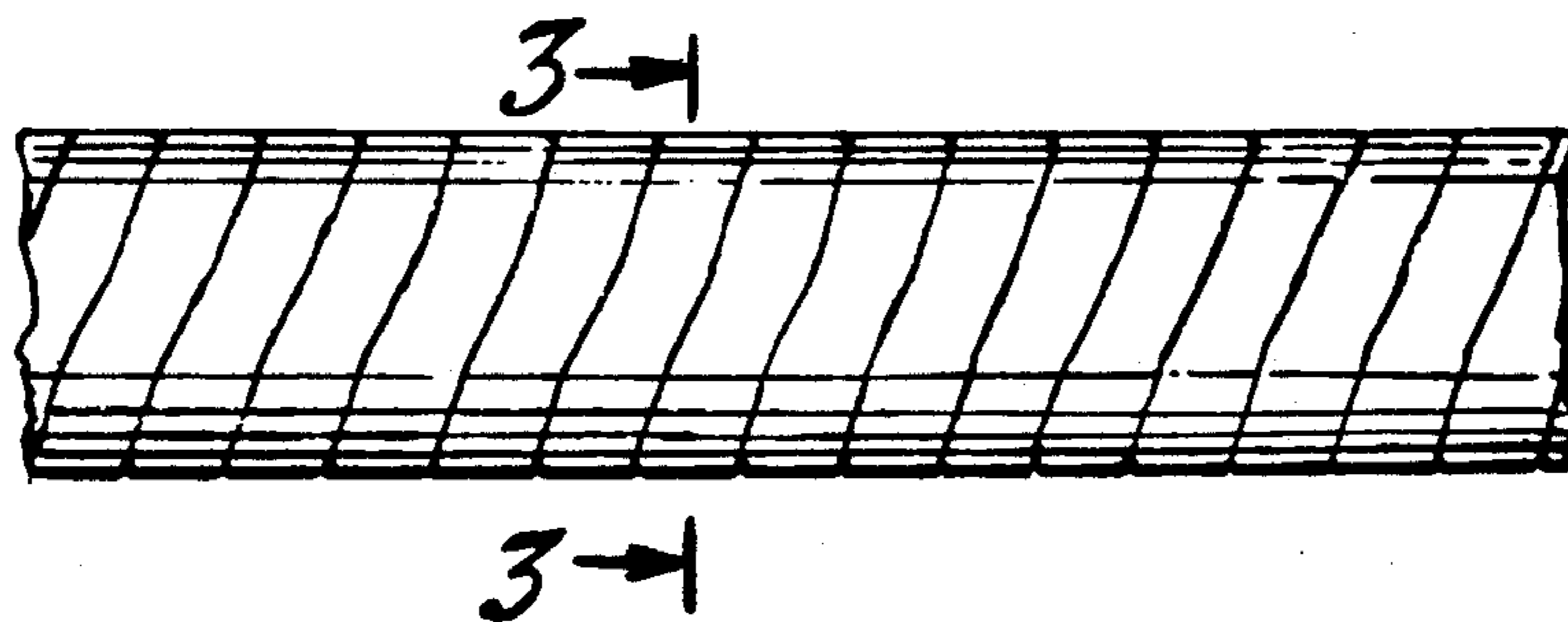
Primary Examiner—A. Hugo Word
Assistant Examiner—R. Seifert
Attorney, Agent, or Firm—Hopgood, Calimafde, Kalil, Blaustein & Judlowe

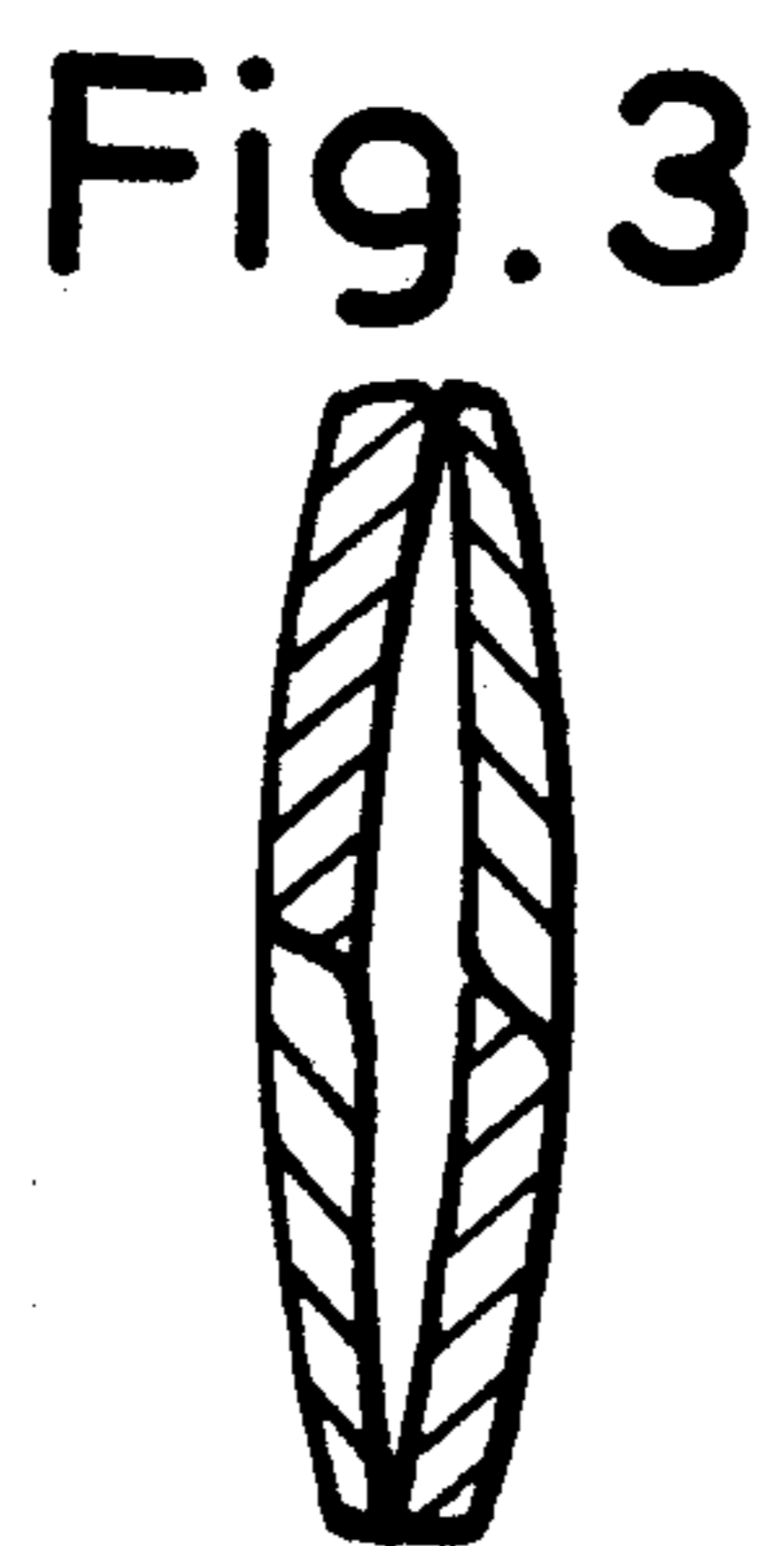
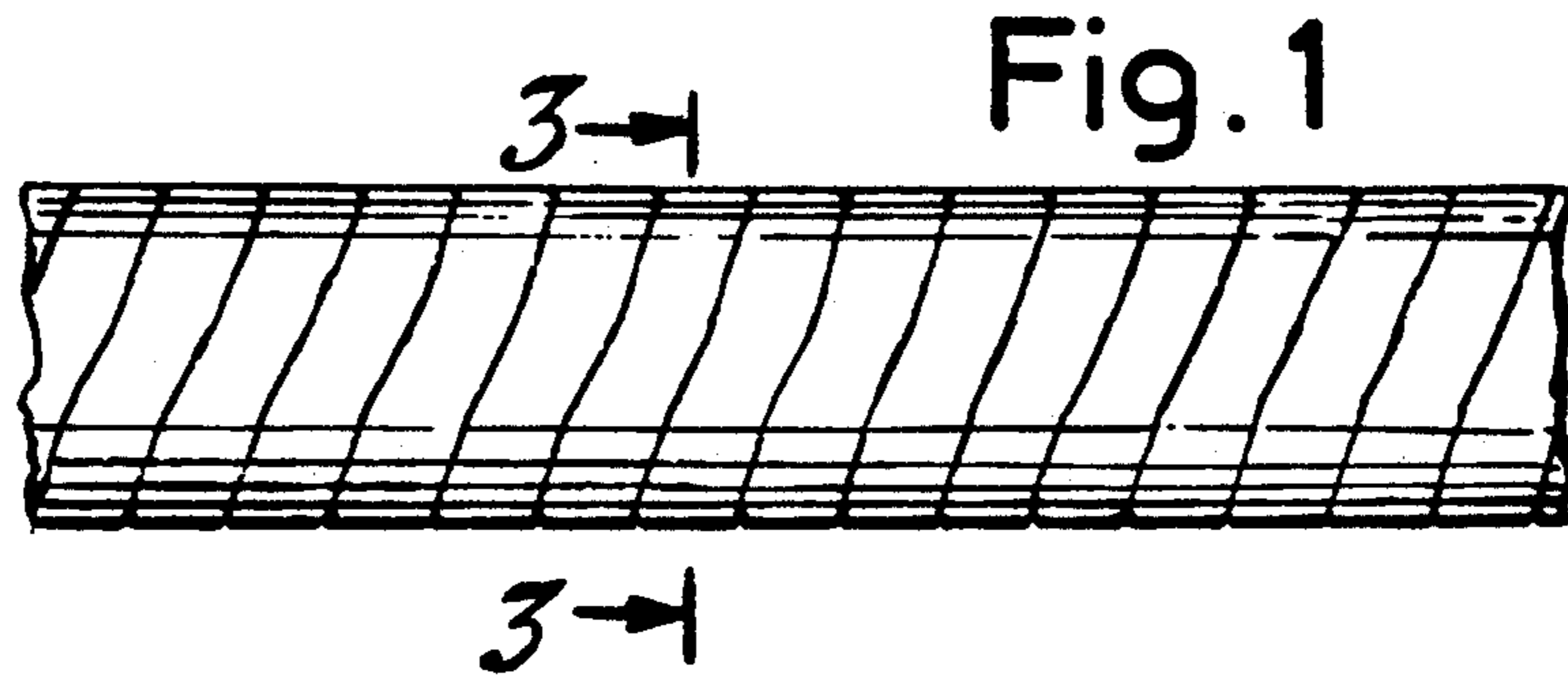
[57] CLAIM

The ornamental design for an ornamental chain, as shown and described.

DESCRIPTION

FIG. 1 is a front elevational view of an ornamental chain showing my new design, the opposite side being identical;
 FIG. 2 is a side elevational view, the opposite side being identical; and,
 FIG. 3 is an enlarged cross sectional view taken along lines 3—3 of FIG. 1.





UNITED STATES PATENT AND TRADEMARK OFFICE
CERTIFICATE OF CORRECTION

PATENT NO. : Des. 335,103
DATED : April 27, 1993
INVENTOR(S) : Pasquale Bichi

It is certified that error appears in the above-identified patent and that said Letters Patent is hereby corrected as shown below:

On the Title page, item [73], Assignee: should read--M G Z S.p.A.--

Signed and Sealed this
Eleventh Day of October, 1994

Attest:



BRUCE LEHMAN

Attesting Officer

Commissioner of Patents and Trademarks