



US00D335099S

# United States Patent [19]

[11] Patent Number: **Des. 335,099**

Goto et al.

[45] Date of Patent: **\*\* Apr. 27, 1993**

[54] **CLOCK MOVEMENT**

[75] Inventors: **Nobuhiro Goto; Hidetsugu Ikeda,**  
both of Tokyo, Japan

[73] Assignee: **Seikosha Co., Ltd., Japan**

[\*\*] Term: **14 Years**

[21] Appl. No.: **705,156**

[22] Filed: **May 24, 1991**

[30] **Foreign Application Priority Data**

Nov. 28, 1990 [JP] Japan ..... 2-39684

[52] U.S. Cl. .... **D10/129**

[58] Field of Search ..... **D10/129, 128, 130;**  
**368/88, 220, 179-180, 134, 165, 204, 244, 300**

[56] **References Cited**

### U.S. PATENT DOCUMENTS

- D. 303,226 9/1989 Moritaka ..... D10/129
- D. 318,024 7/1991 Kaneko ..... D10/129
- D. 319,603 9/1991 Ikuma ..... D10/129

- D. 326,239 5/1992 Hatano ..... D10/129
- D. 327,449 6/1992 Ikuma ..... D10/129
- 3,760,583 9/1973 Tsuruishi ..... 368/244
- 4,228,533 10/1980 Siefert ..... 368/134

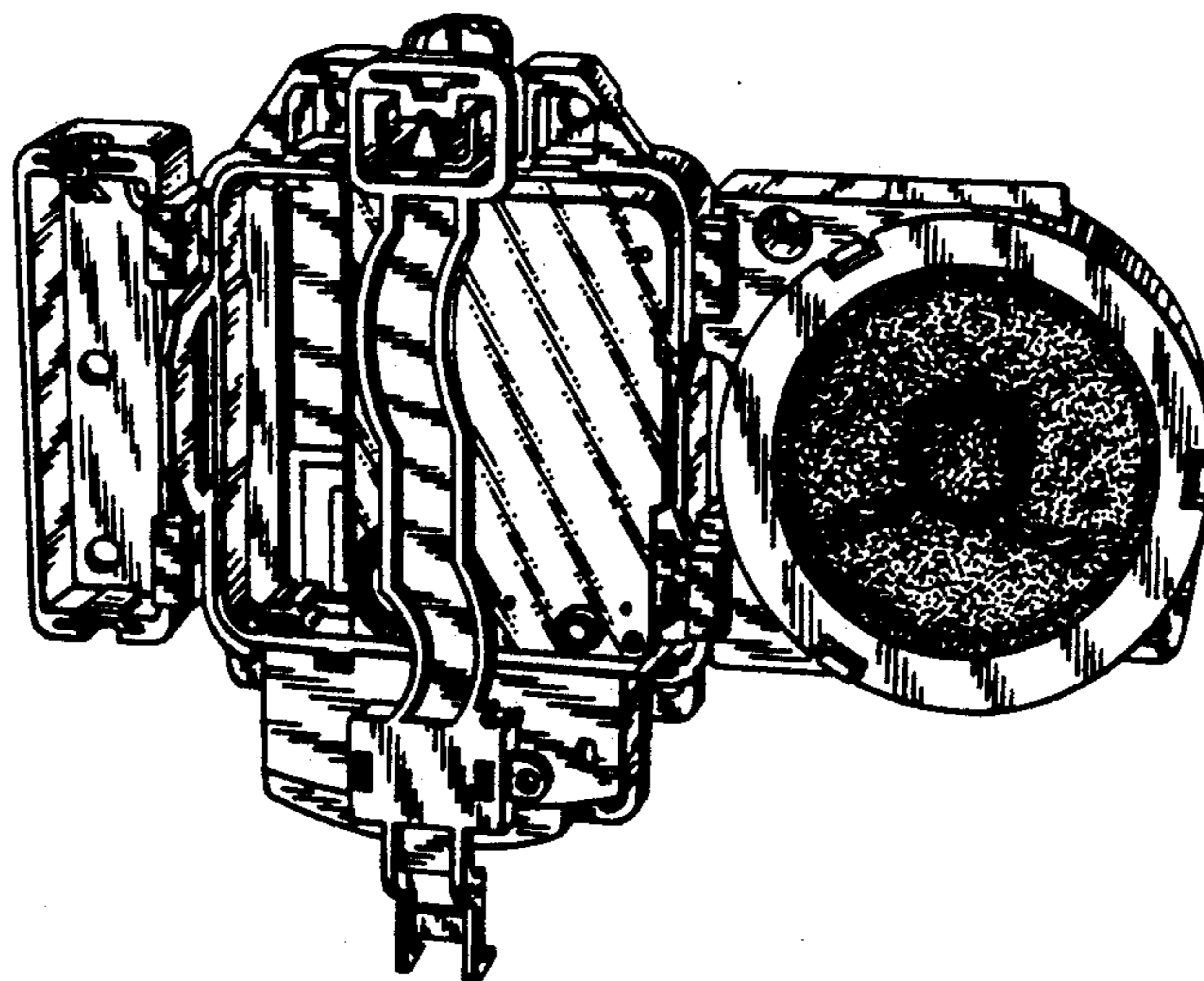
*Primary Examiner*—Nelson C. Holtje  
*Attorney, Agent, or Firm*—Bruce L. Adams; Van C. Wilks

### [57] CLAIM

The ornamental design for a clock movement, as shown and described.

### DESCRIPTION

FIG. 1 is a front elevational view of a clock movement showing our new design;  
 FIG. 2 is a rear elevational view thereof;  
 FIG. 3 is a top plan view thereof;  
 FIG. 4 is a bottom plan view thereof;  
 FIG. 5 is a left side elevational view thereof;  
 FIG. 6 is a right side elevational view thereof;  
 FIG. 7 is a front perspective view thereof; and,  
 FIG. 8 is a rear right perspective view thereof.



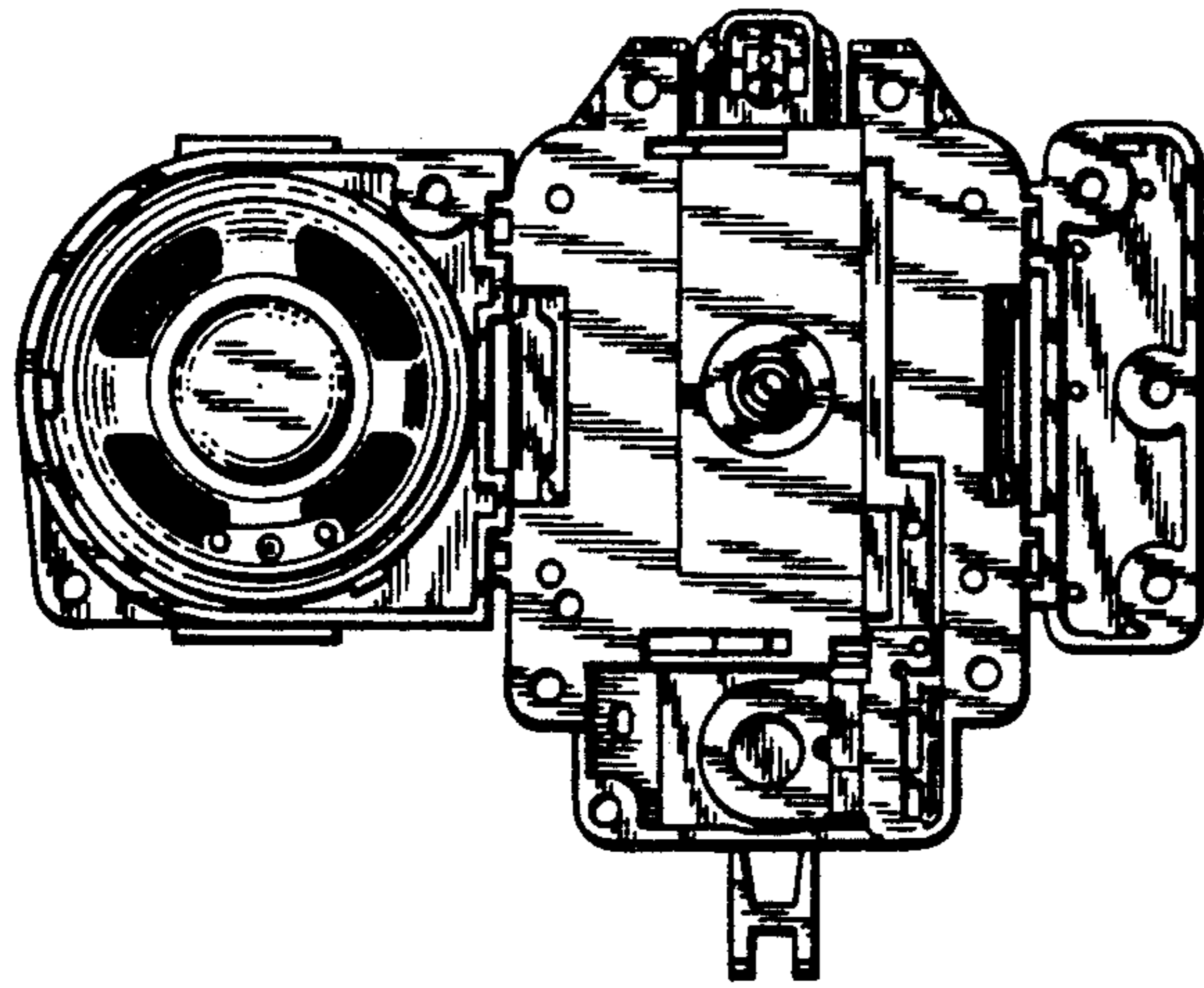


FIG. 1

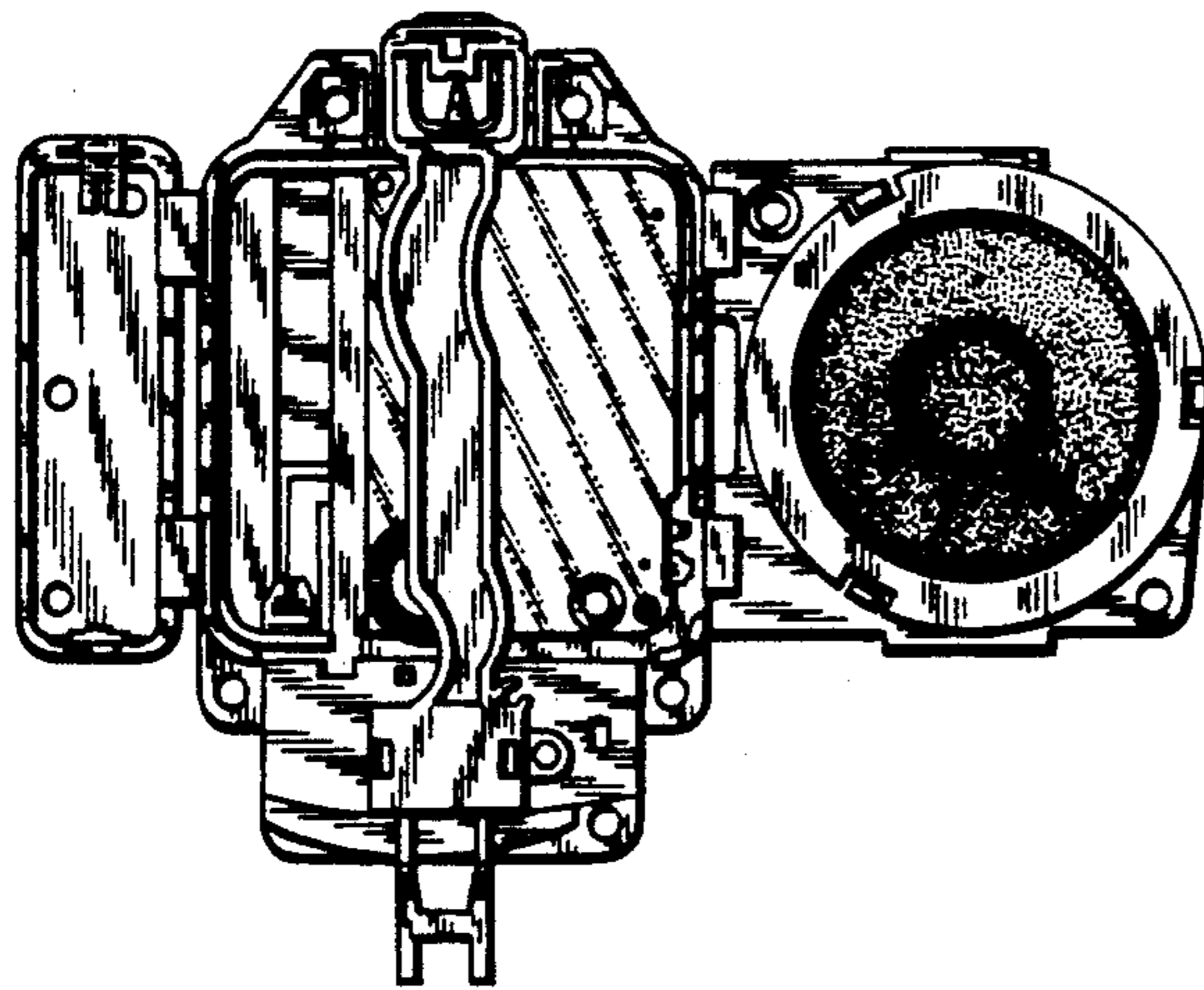


FIG. 2

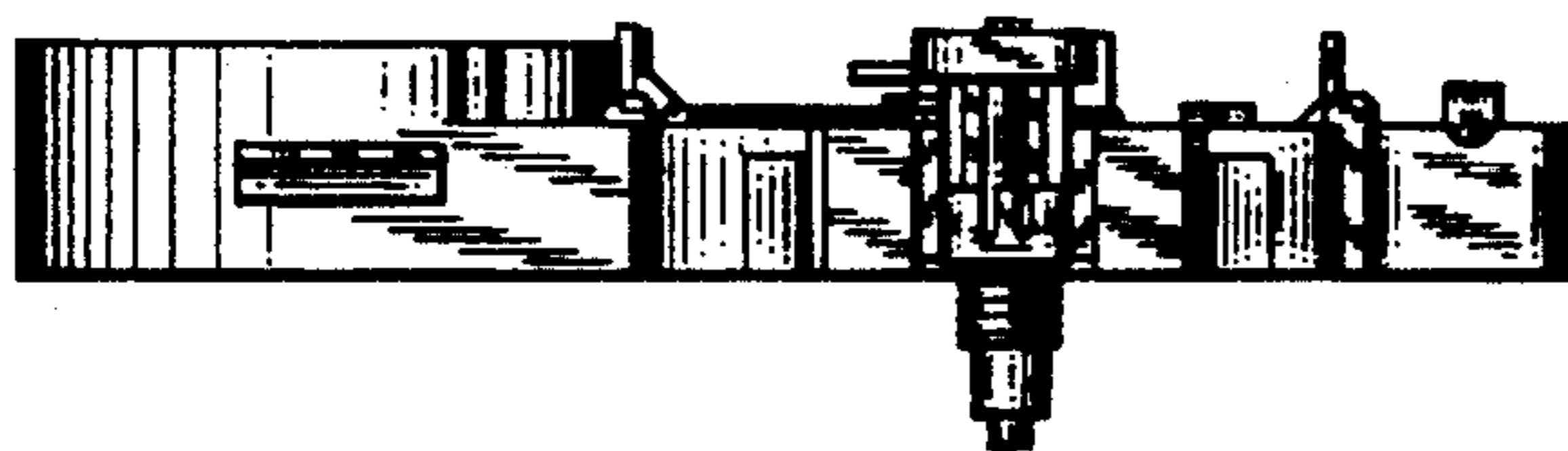


FIG. 3

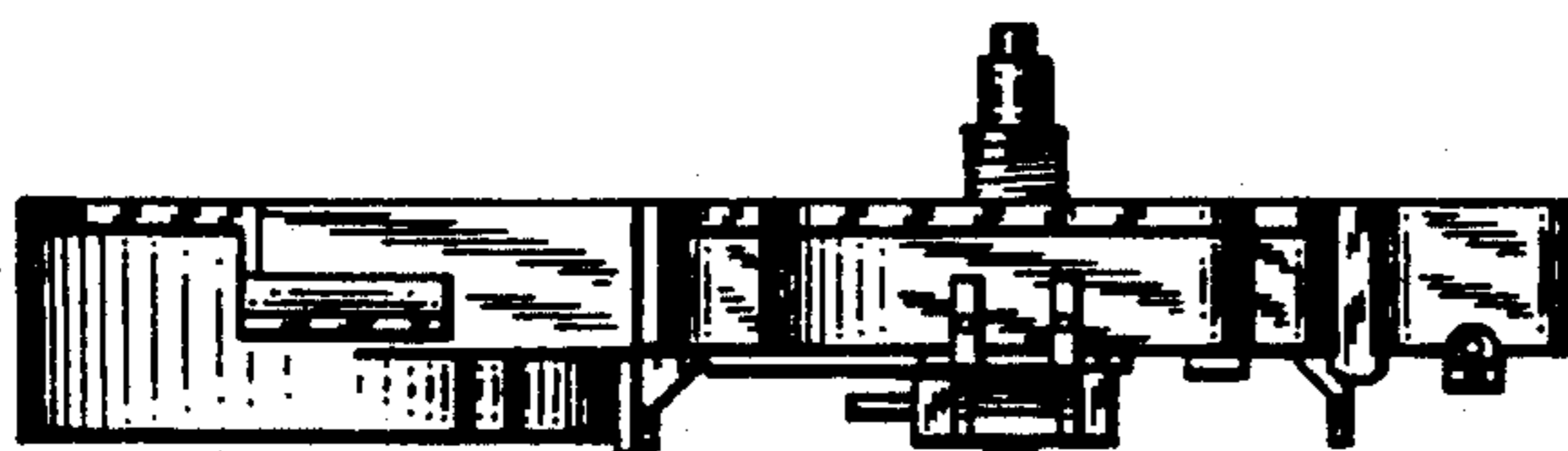


FIG. 4

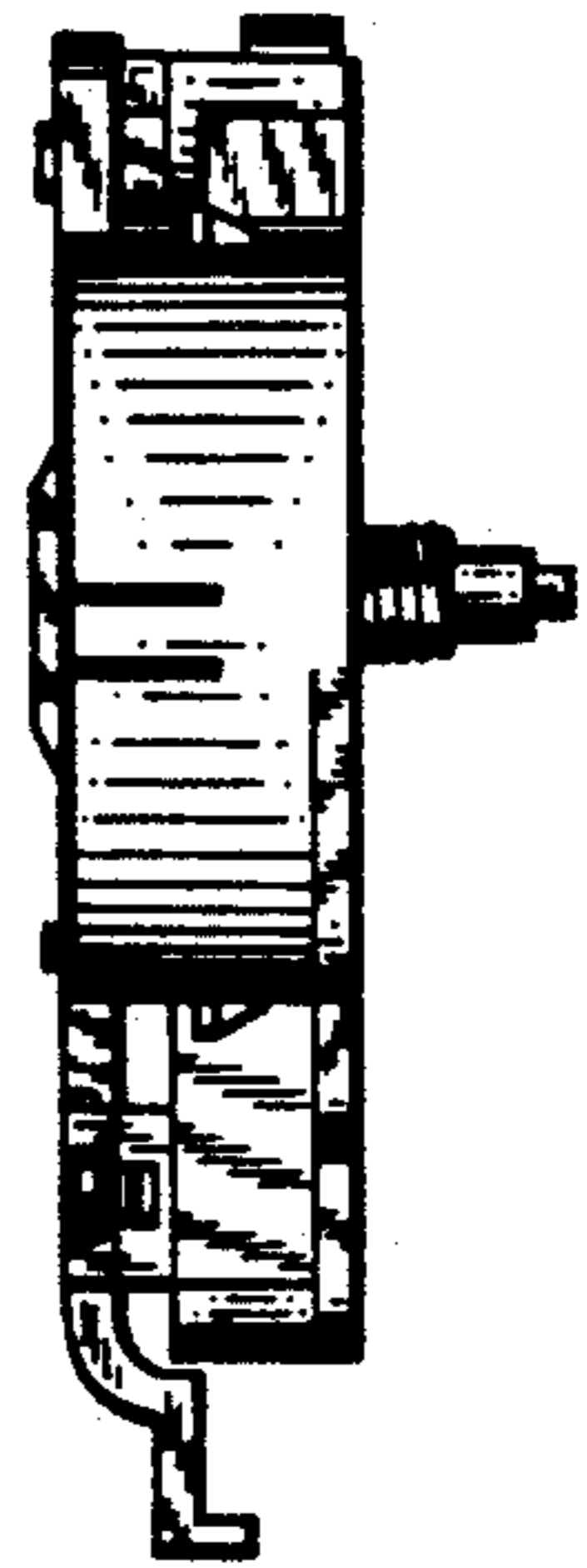


FIG. 5

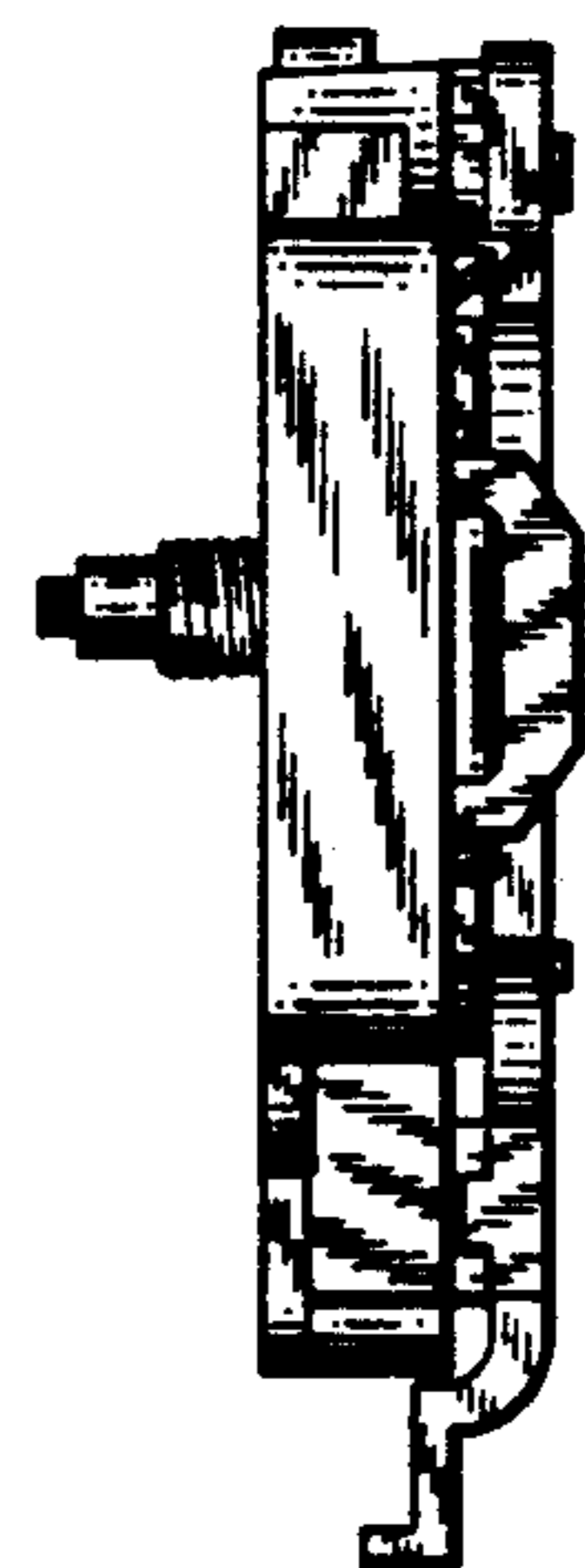
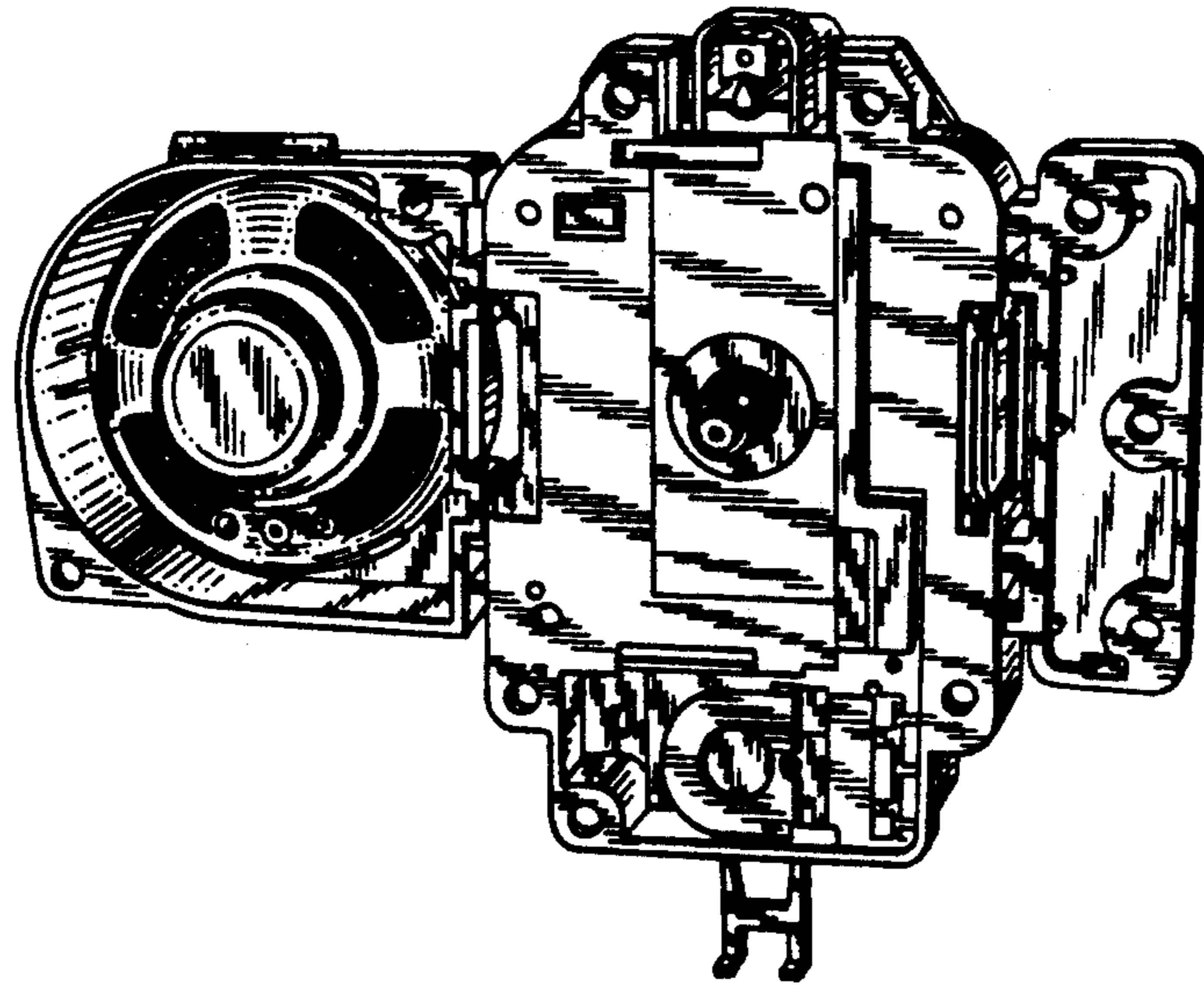
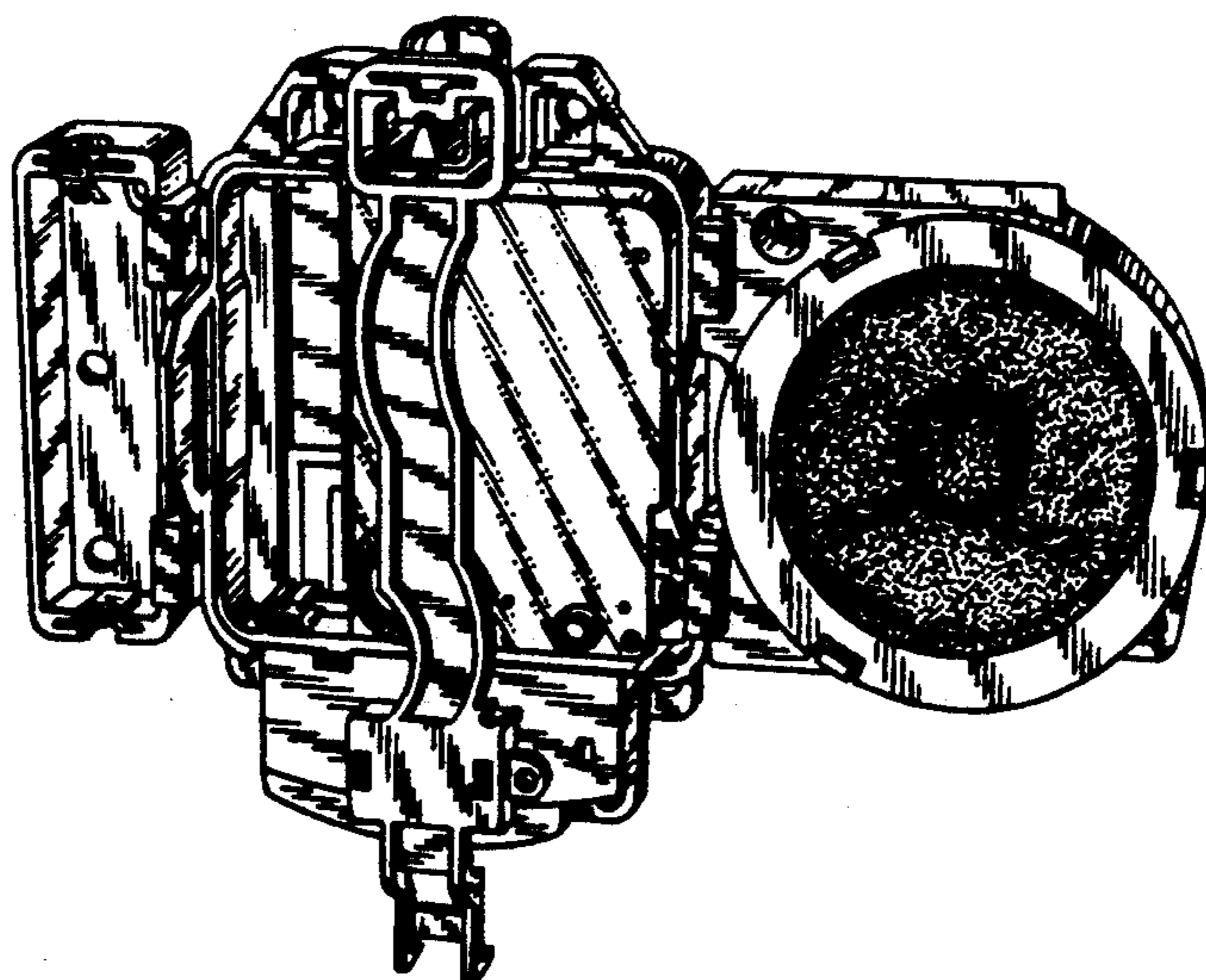


FIG. 6



*FIG. 7*



*FIG. 8*