



US00D335098S

United States Patent [19]

[11] Patent Number: **Des. 335,098**

Ikeda et al.

[45] Date of Patent: **** Apr. 27, 1993**

[54] **CLOCK MOVEMENT**

D. 318,027	7/1991	Moritaka	D10/129
3,583,148	6/1971	Wolber	368/204
4,276,634	6/1981	Absmus	368/204
4,464,062	8/1984	Inage	368/220

[75] Inventors: **Hidetsugu Ikeda; Makoto Yanaka,**
both of Tokyo, Japan

[73] Assignee: **Seikosha Co., Ltd.,** Japan

Primary Examiner—Nelson C. Holtje
Attorney, Agent, or Firm—Bruce L. Adams; Van C. Wilks

[**] Term: **14 Years**

[21] Appl. No.: **705,155**

[57] CLAIM

[22] Filed: **May 24, 1991**

The ornamental design for a clock movement, as shown and described.

[30] Foreign Application Priority Data

DESCRIPTION

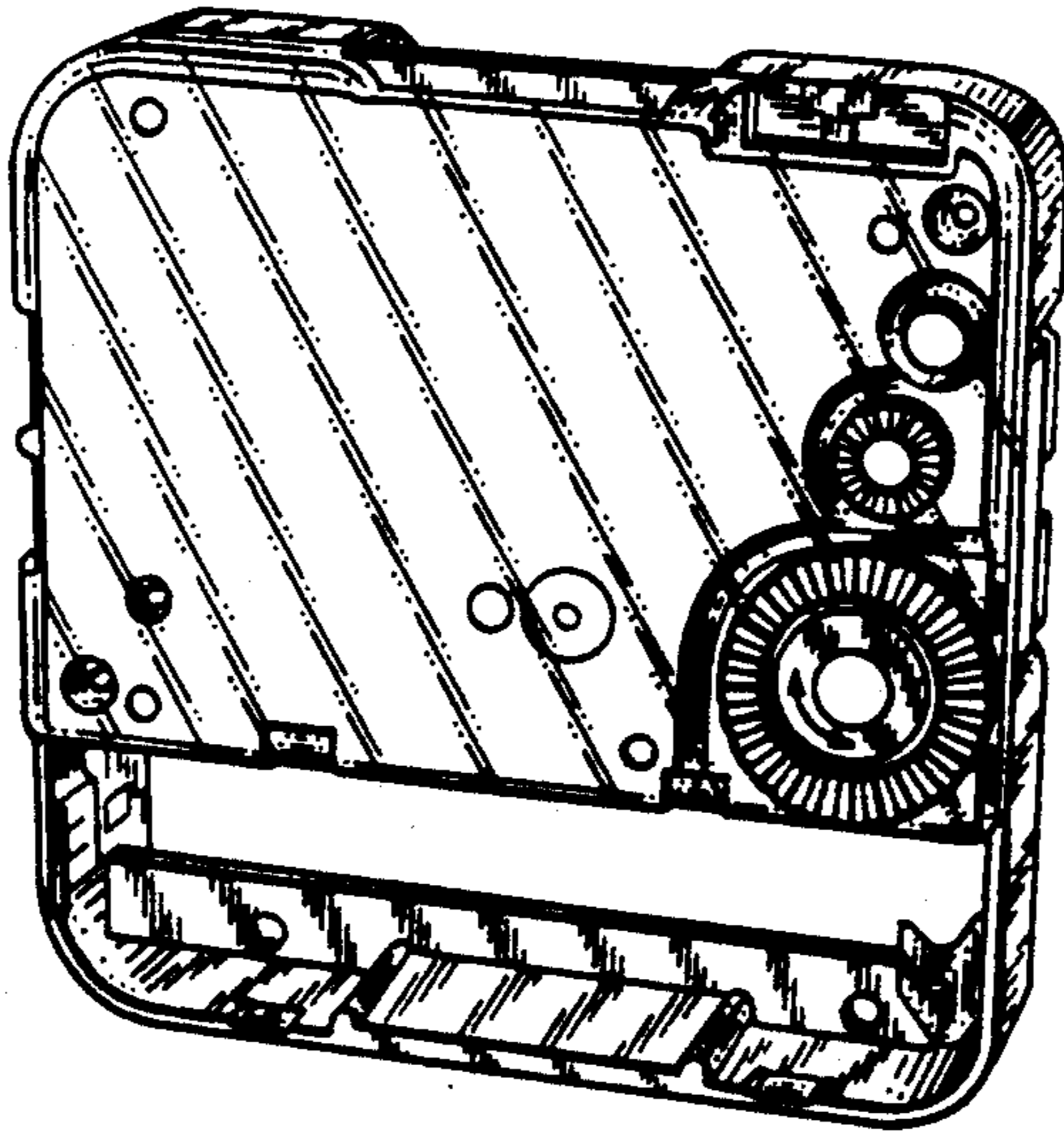
Nov. 28, 1990 [JP] Japan 2-39687
 [52] U.S. Cl. **D10/129**
 [58] Field of Search D10/129; 368/280-282,
 368/283, 204, 220, 28, 300

FIG. 1 is a front elevational view of a clock movement showing our new design;
 FIG. 2 is a rear elevational view thereof;
 FIG. 3 is a top plan view thereof;
 FIG. 4 is a bottom plan view thereof;
 FIG. 5 is a left side elevational view thereof;
 FIG. 6 is a right side elevational view thereof;
 FIG. 7 is a front right perspective view thereof; and,
 FIG. 8 is a rear right perspective view thereof.

[56] References Cited

U.S. PATENT DOCUMENTS

D. 303,227	9/1989	Hayakawa	D10/129
D. 303,228	9/1989	Ikeda	D10/129



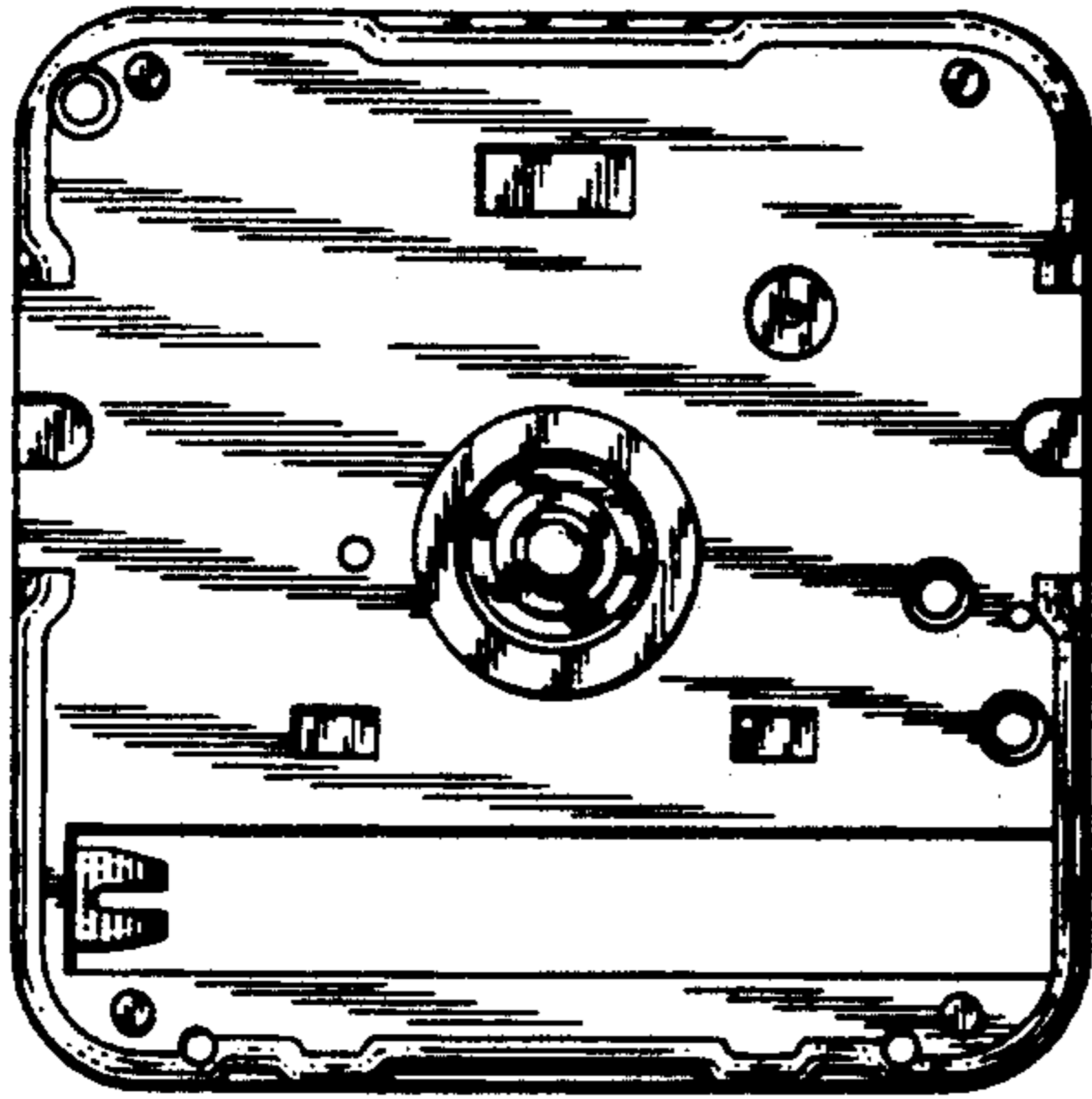


FIG. 1

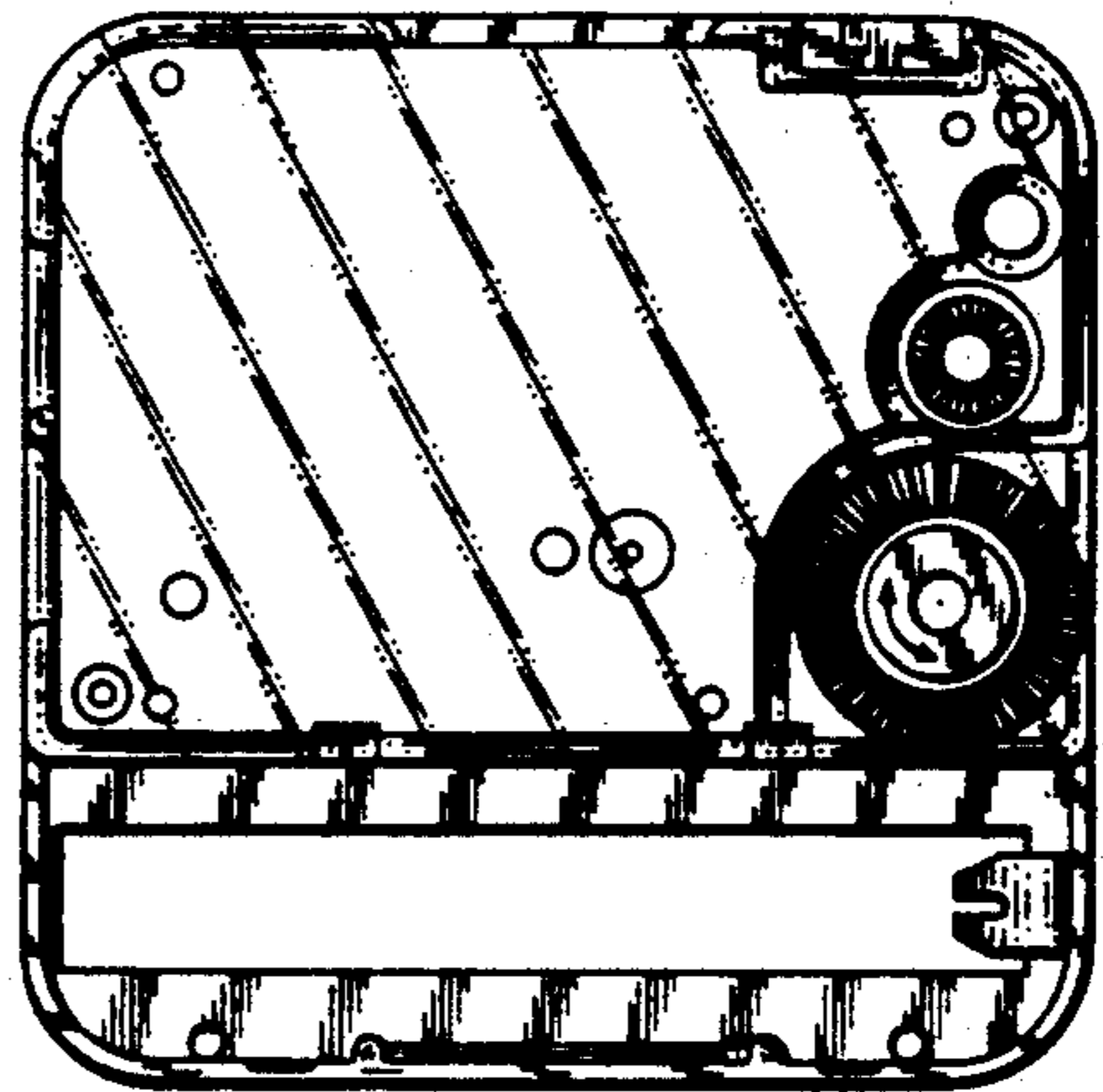


FIG. 2

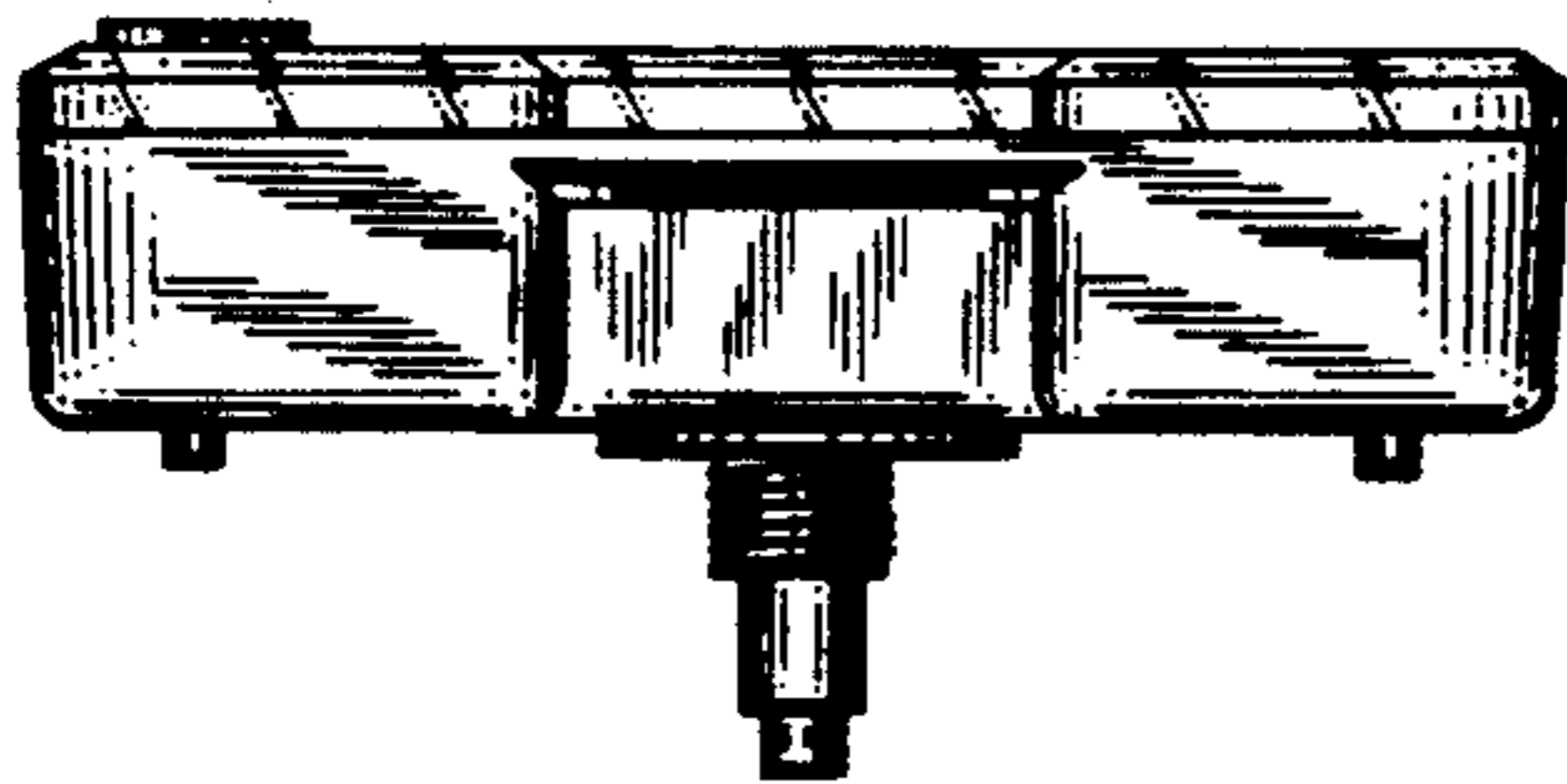


FIG. 3

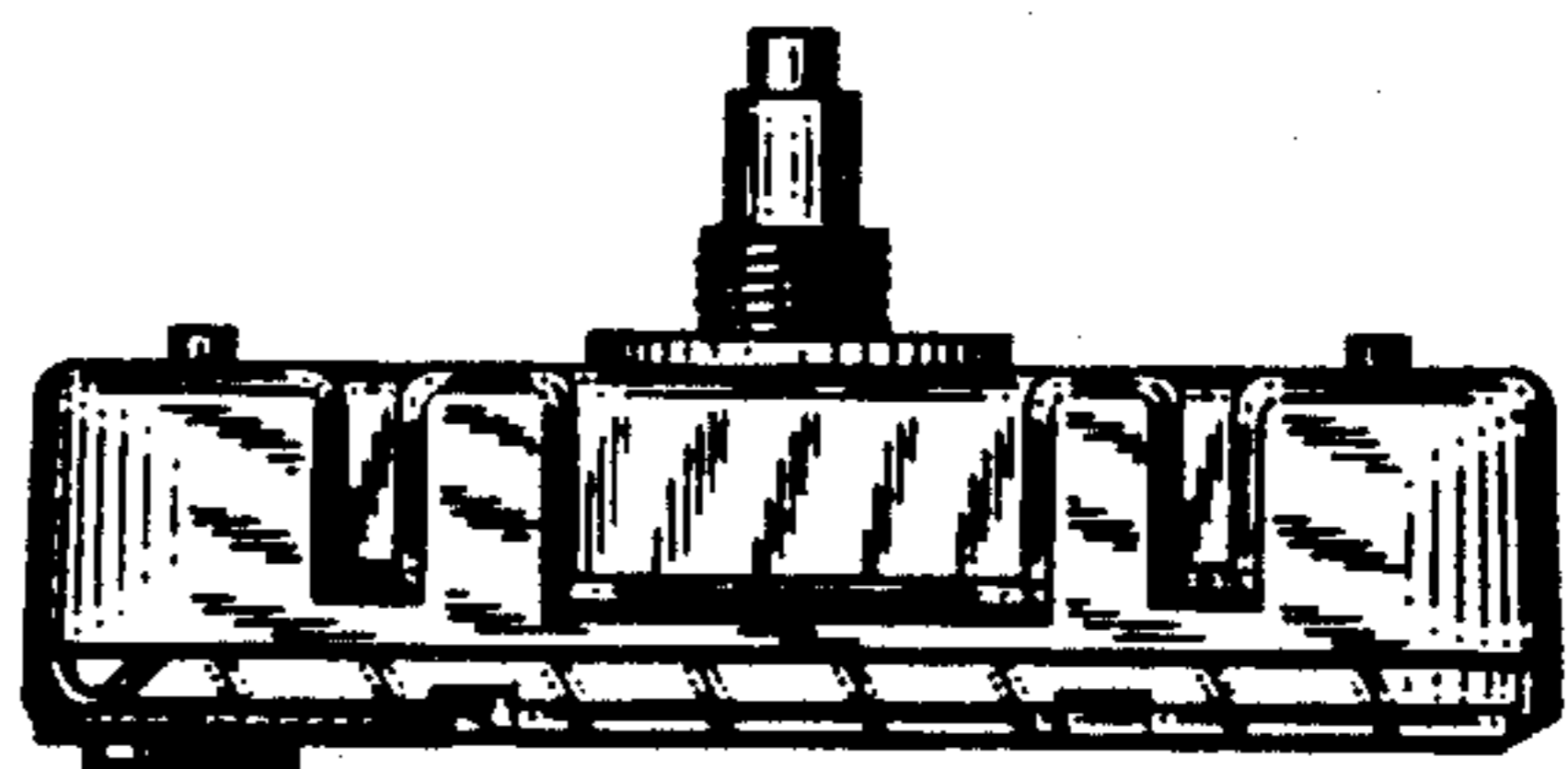


FIG. 4

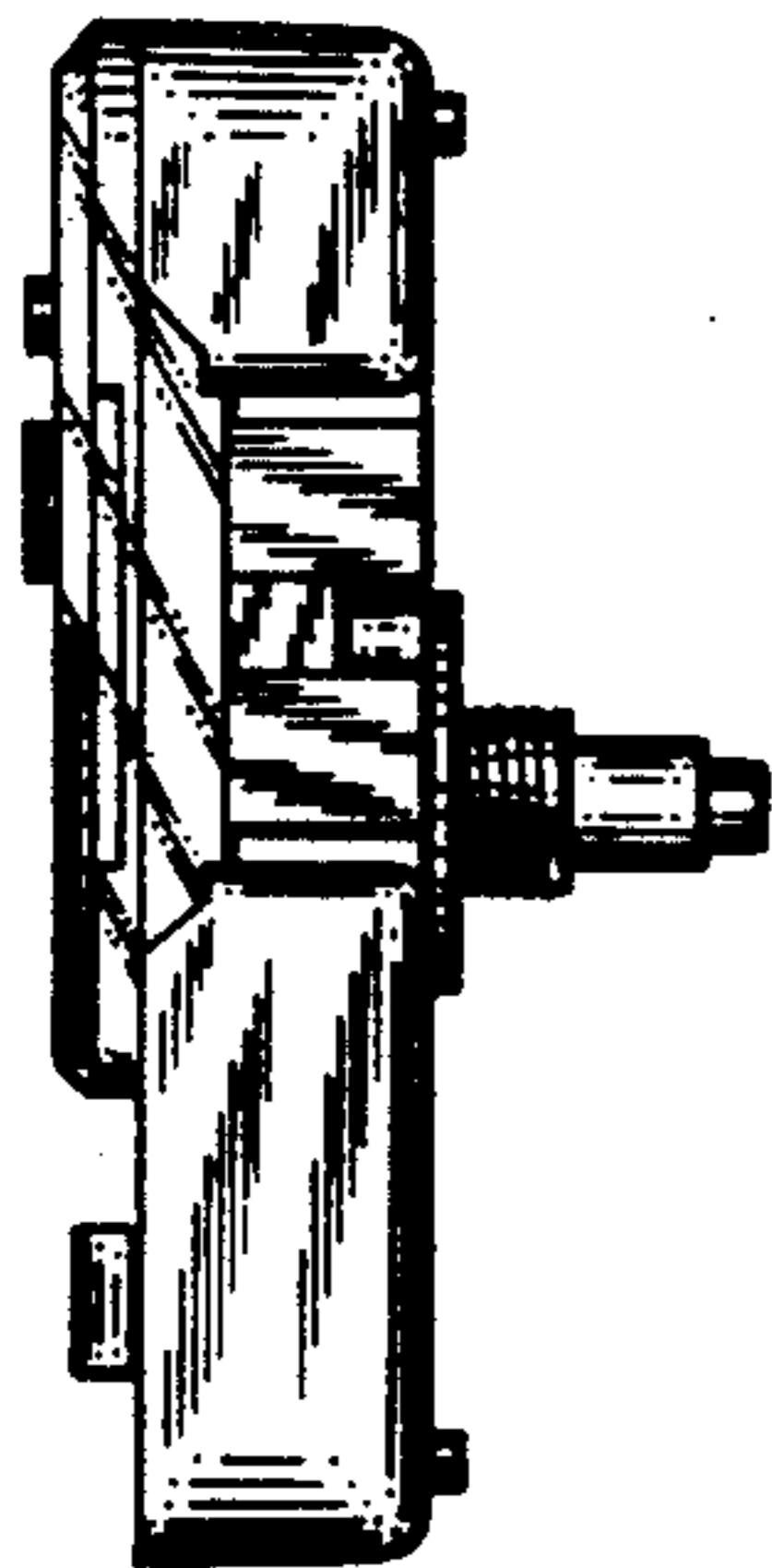


FIG. 5

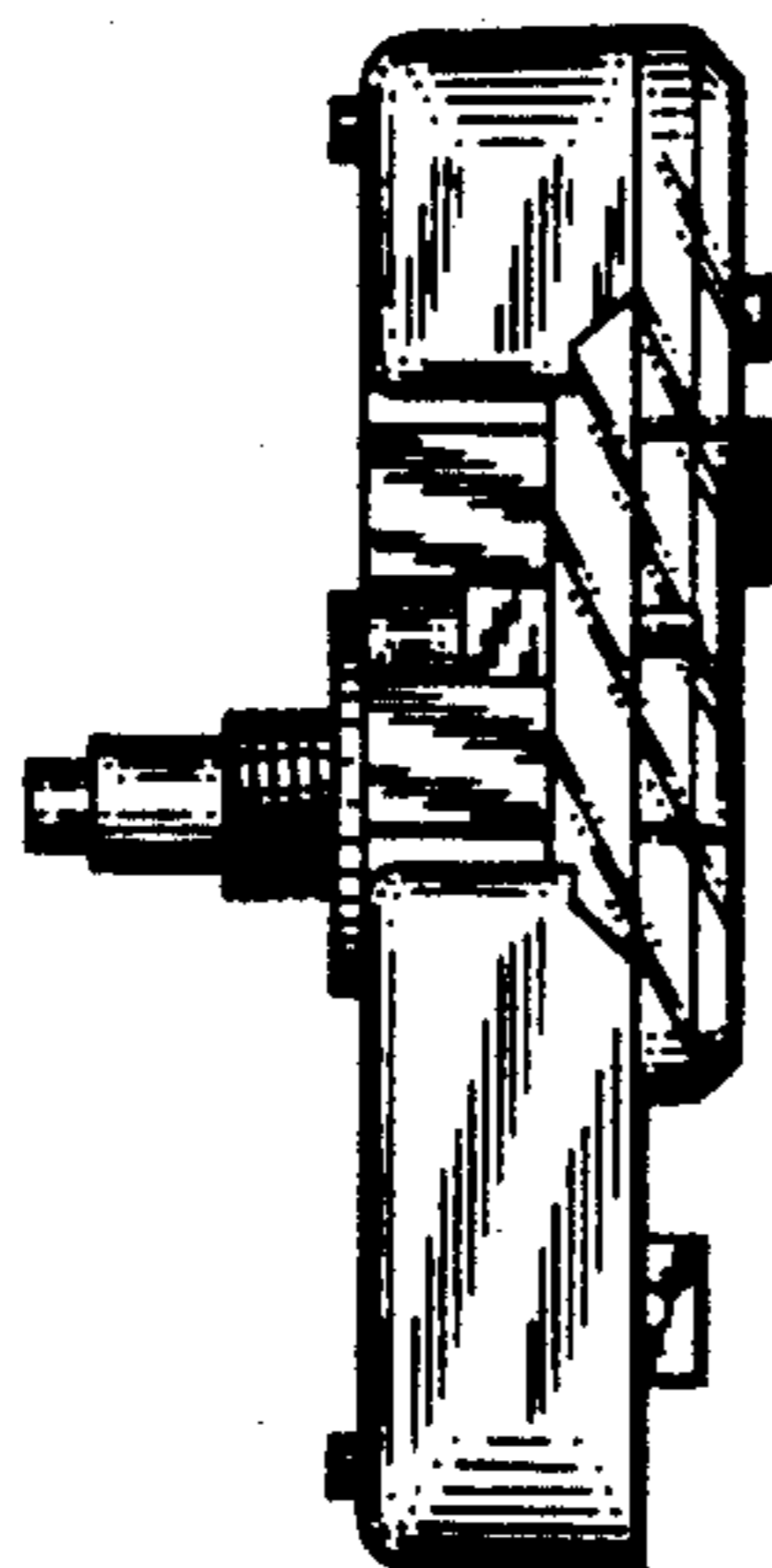


FIG. 6

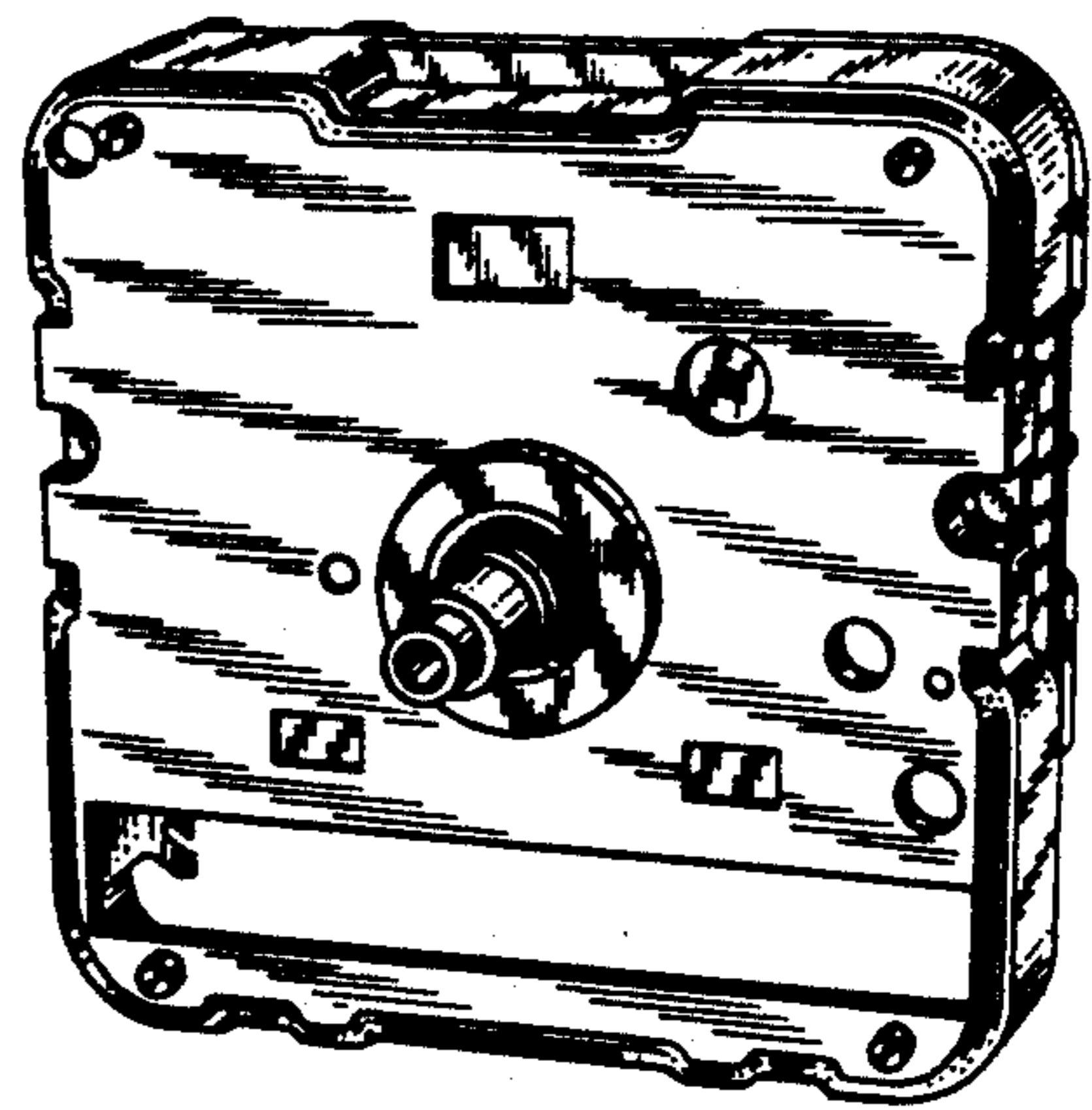


FIG. 7

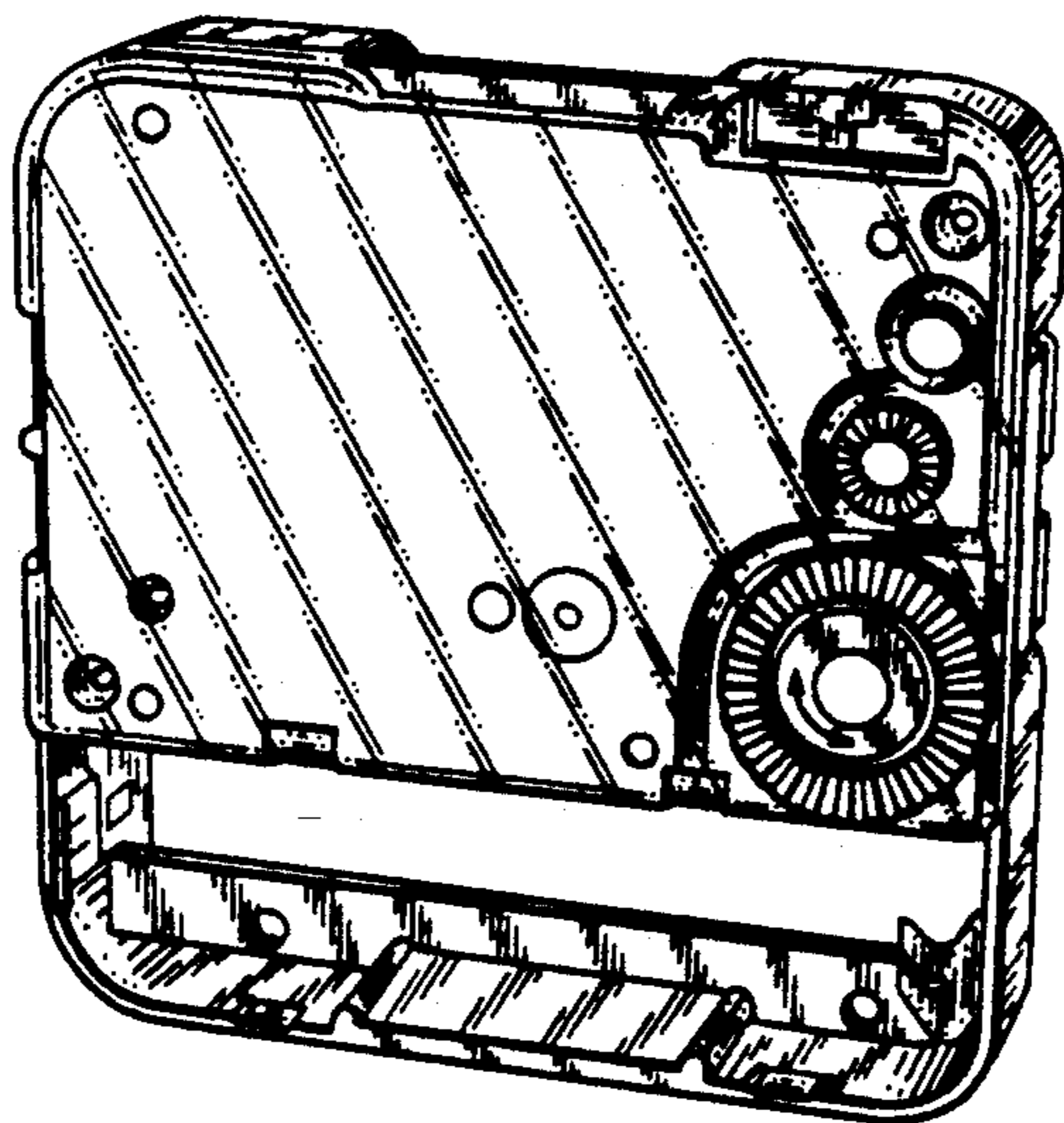


FIG. 8