



US00D335097S

United States Patent [19]

[11] Patent Number: **Des. 335,097**

Goto et al.

[45] Date of Patent: **** Apr. 27, 1993**

[54] **CLOCK MOVEMENT**

[75] Inventors: **Nobuhiro Goto; Koichi Miyagi**, both of Tokyo, Japan

[73] Assignee: **Seikosha Co., Ltd.**, Japan

[**] Term: **14 Years**

[21] Appl. No.: **705,169**

[22] Filed: **May 24, 1991**

[30] **Foreign Application Priority Data**

Nov. 28, 1990 [JP] Japan 2-39683

[52] U.S. Cl. **D10/129**

[58] Field of Search **D10/128-130;**
368/88, 134, 165, 179-180, 300, 220, 204, 244

[56] **References Cited**

U.S. PATENT DOCUMENTS

- D. 303,226 9/1989 Moritaka D10/129
- D. 318,024 7/1991 Kaneko D10/129
- D. 319,603 9/1991 Ikuma D10/129

- D. 326,239 5/1992 Hatano D10/129
- D. 327,449 6/1992 Ikuma D10/129
- 3,760,583 9/1973 Tsuruishi 368/244
- 4,228,533 10/1980 Siefert 368/134

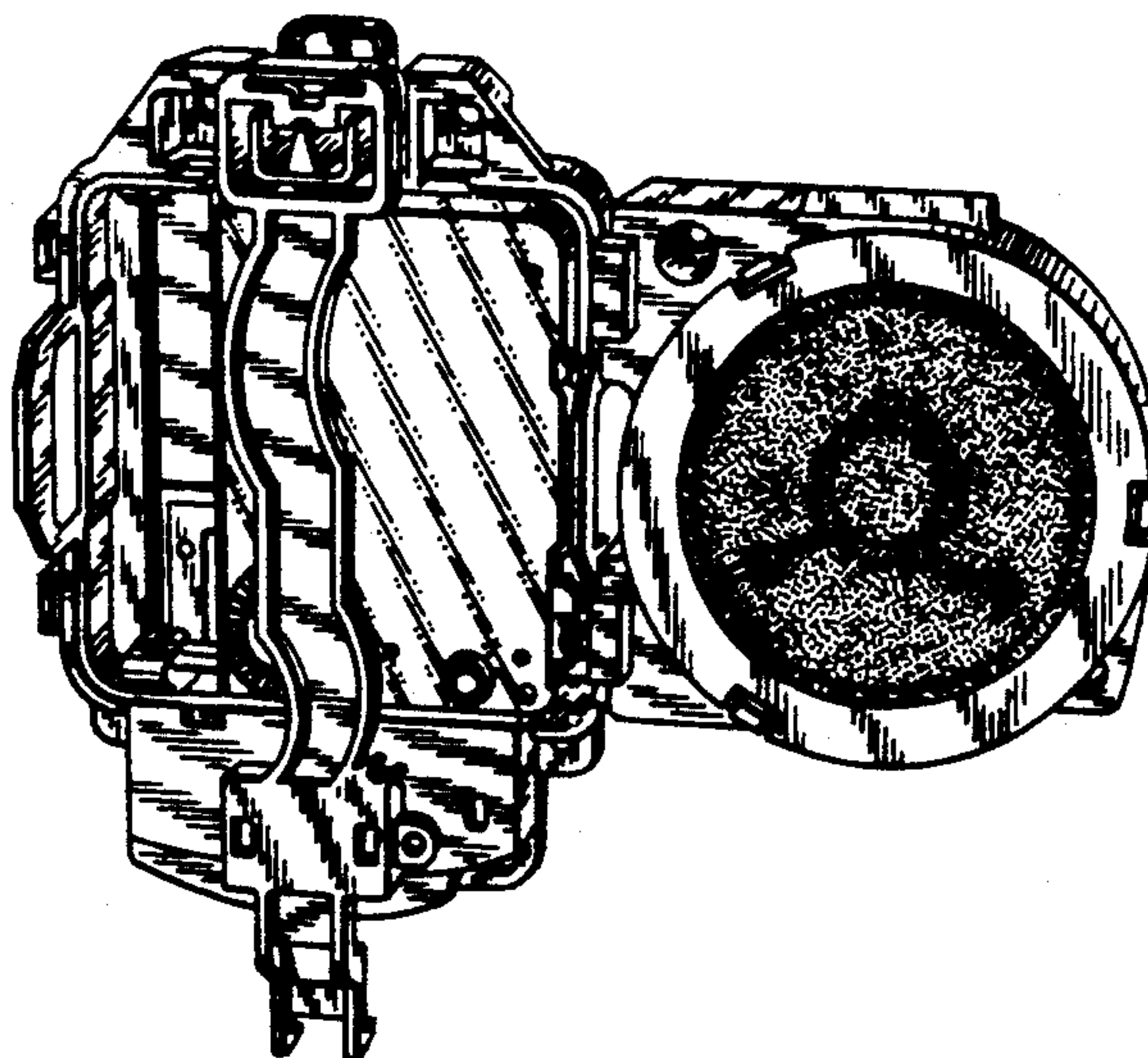
Primary Examiner—Nelson C. Holtje
Attorney, Agent, or Firm—Bruce L. Adams; Van C. Wilks

[57] CLAIM

The ornamental design for a clock movement, as shown and described.

DESCRIPTION

FIG. 1 is a front elevational view of a clock movement showing our new design;
 FIG. 2 is a rear elevational view thereof;
 FIG. 3 is a top plan view thereof;
 FIG. 4 is a bottom plan view thereof;
 FIG. 5 is a left side elevational view thereof;
 FIG. 6 is a right side elevational view thereof;
 FIG. 7 is a front right perspective view thereof; and,
 FIG. 8 is a rear right perspective view thereof.



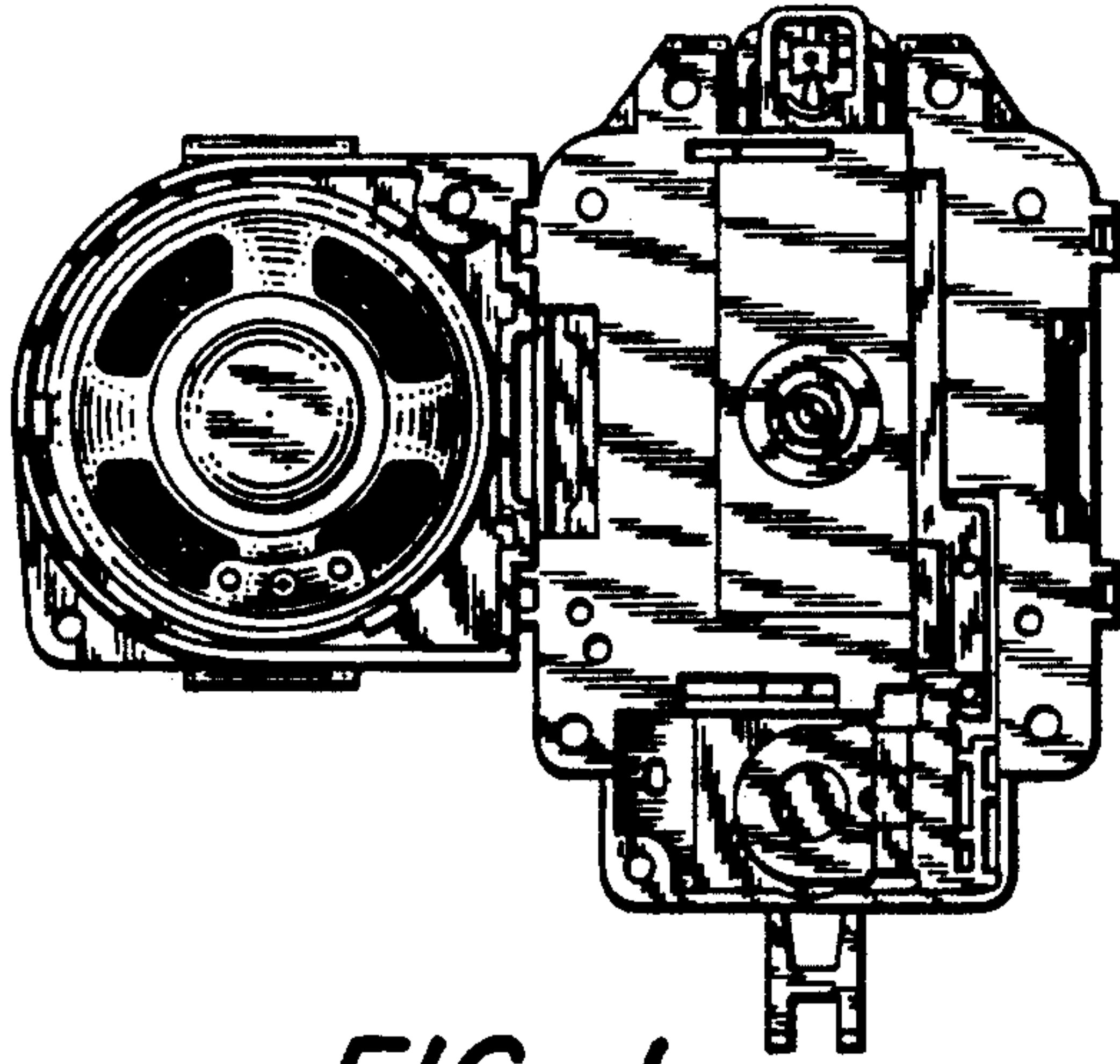


FIG. 1

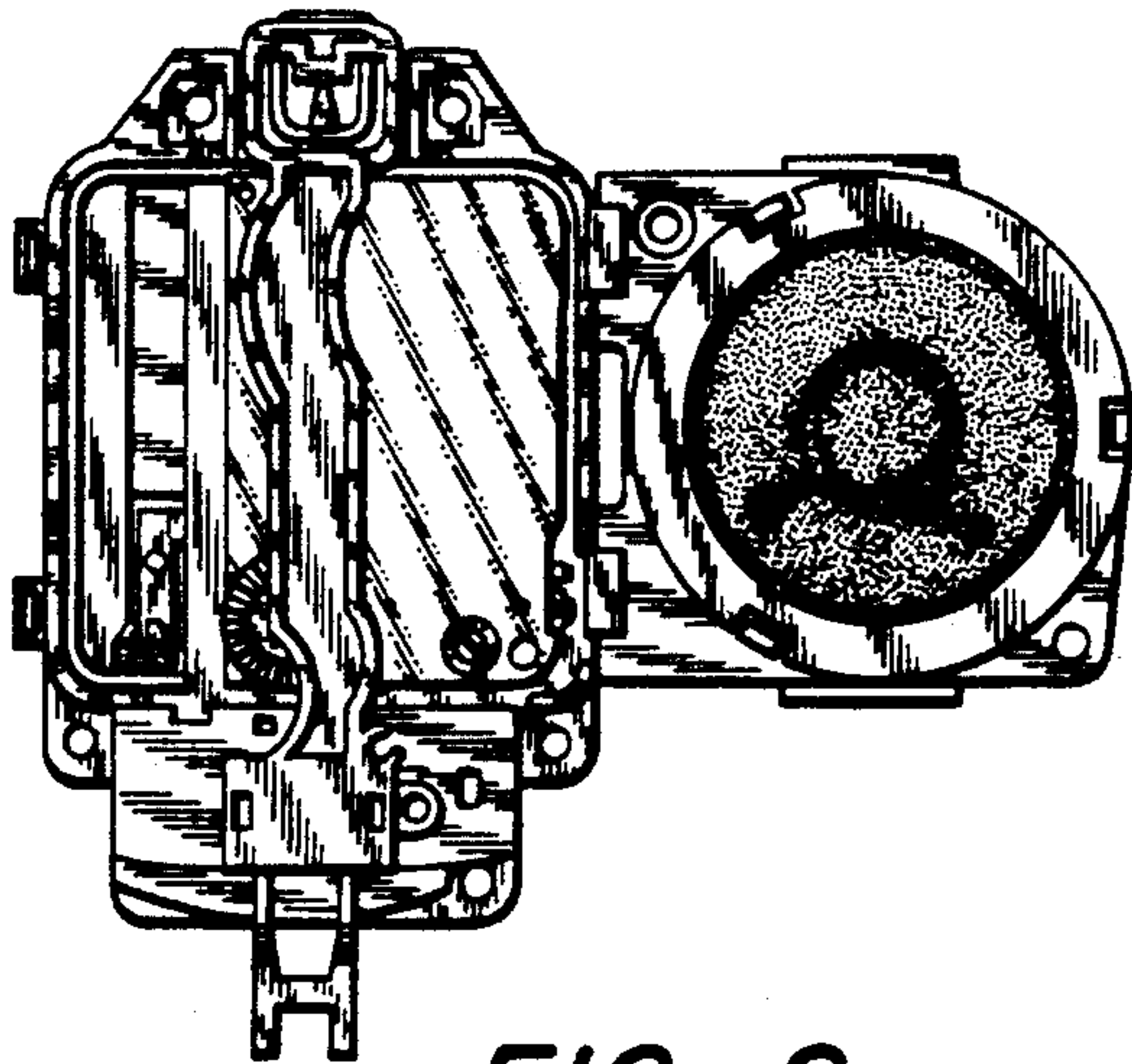


FIG. 2



FIG. 3

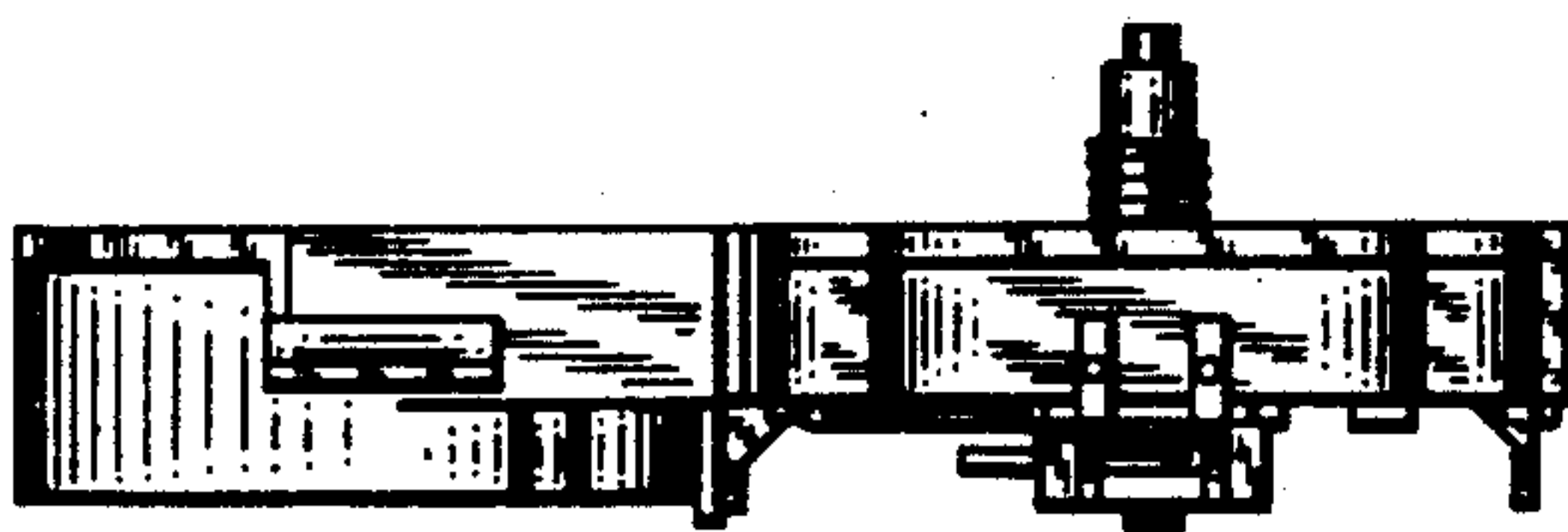


FIG. 4

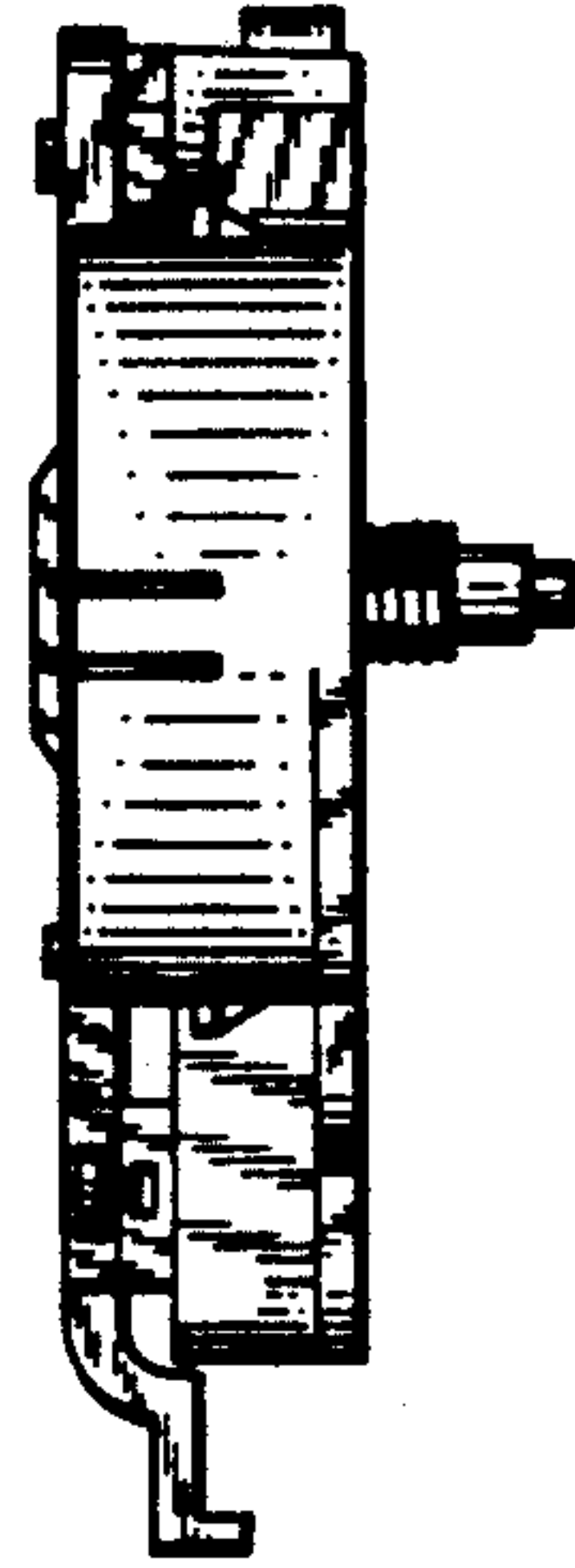


FIG. 5

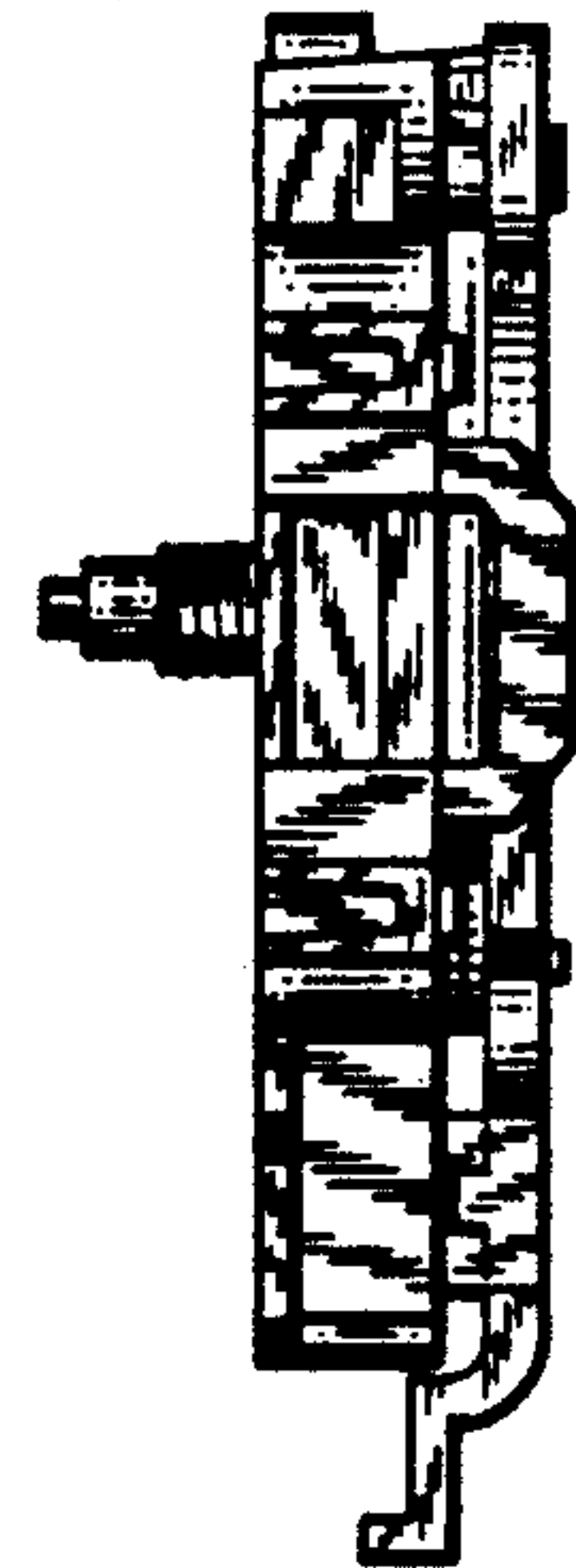


FIG. 6

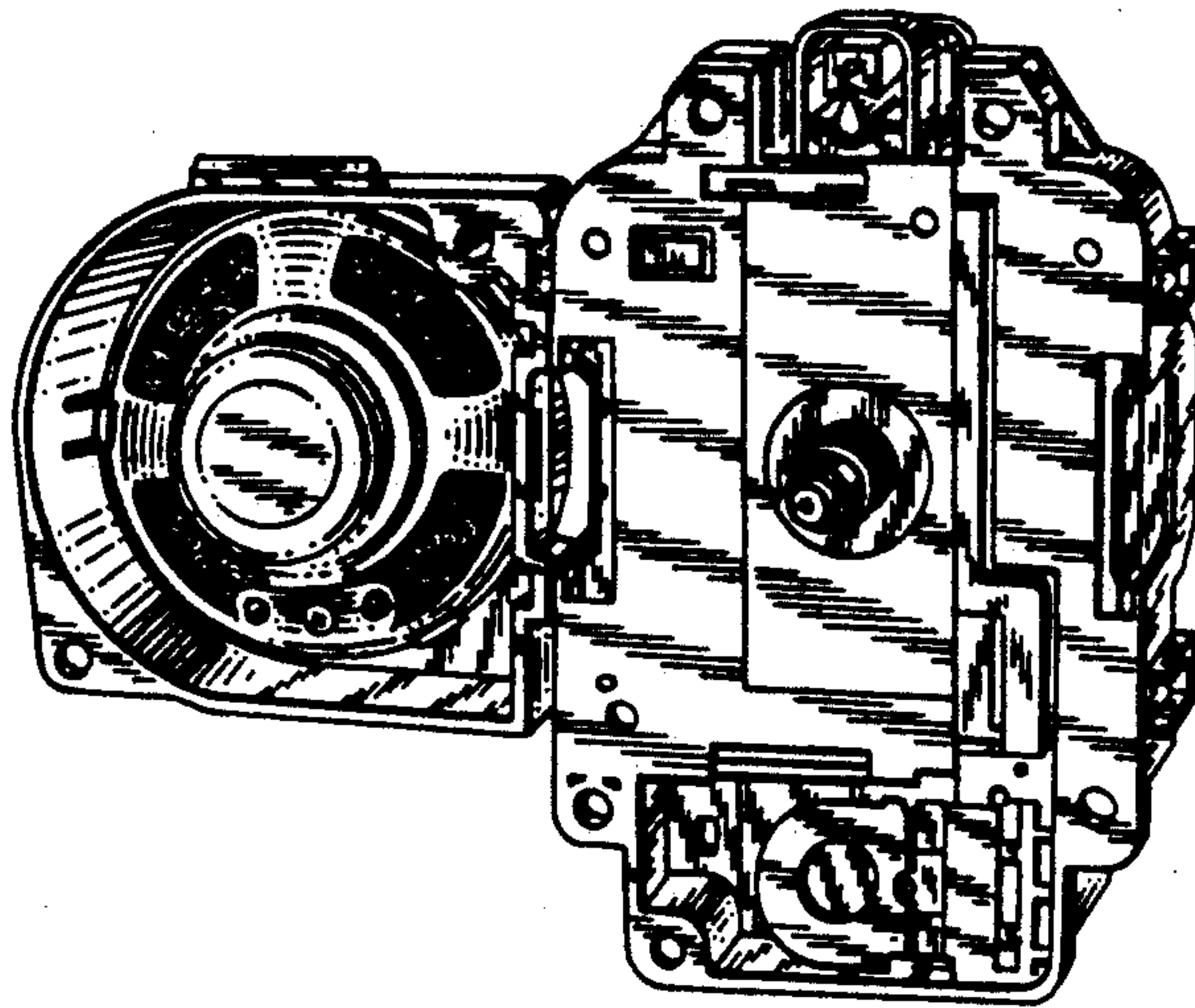


FIG. 7

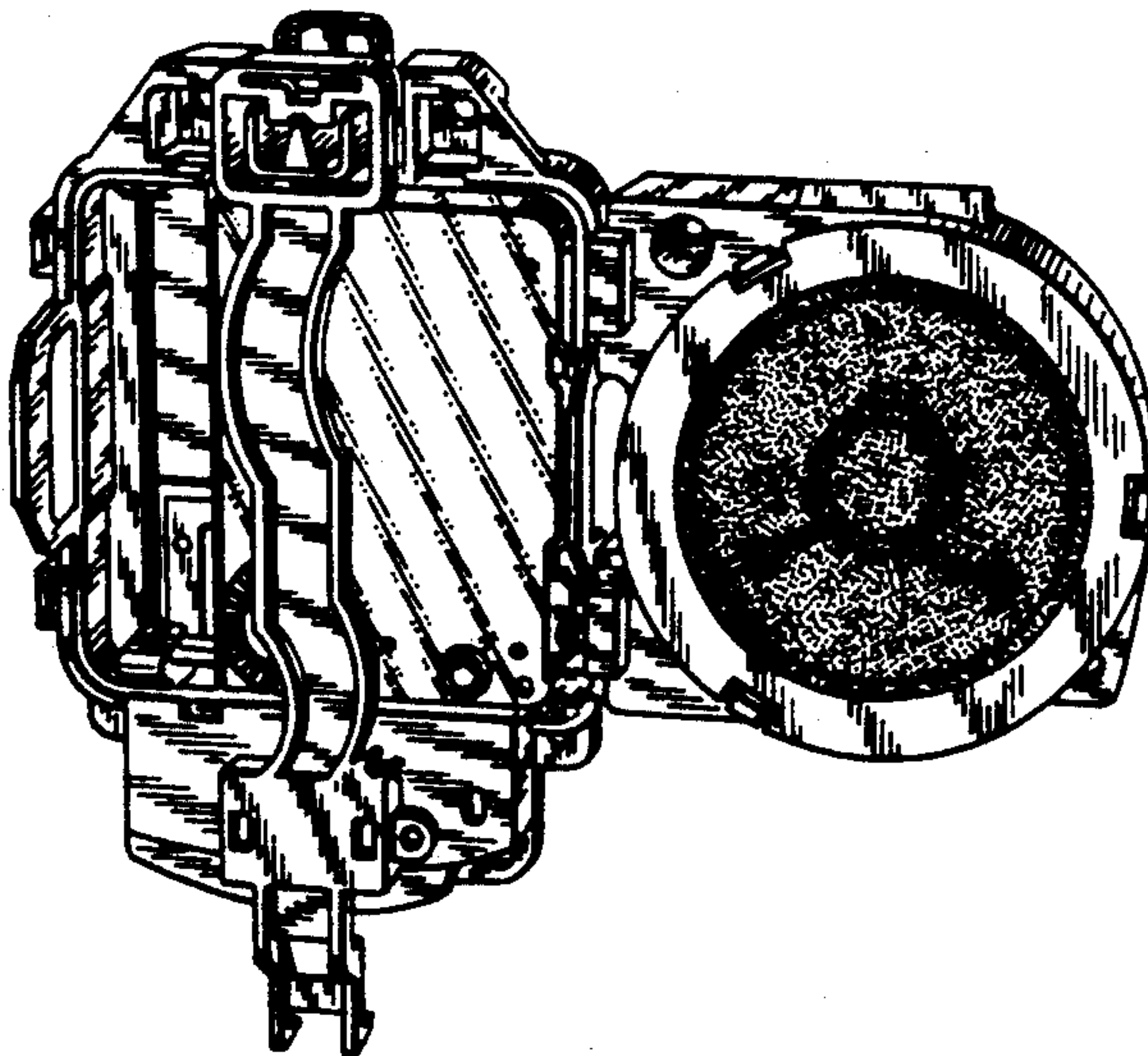


FIG. 8