



US00D335096S

# United States Patent [19]

[11] Patent Number: **Des. 335,096**

Marsh

[45] Date of Patent: **\*\* Apr. 27, 1993**

[54] **BLUFF BODY FLOWMETER**

3,956,928 5/1976 Barrera ..... 73/861.23 X

[76] Inventor: **David Marsh, Universal Vortex, Inc.,  
Engineering Division, 29 Main St.,  
P.O. Box 485, Harrisville, R.I. 02830**

4,625,564 12/1986 Murakami et al. .... 73/861.24

4,627,295 12/1986 Matsubara et al. .... 73/861.24

[\*\*] Term: **14 Years**

*Primary Examiner*—Alan P. Douglas  
*Assistant Examiner*—Antoine D. Davis  
*Attorney, Agent, or Firm*—Gifford, Groh, Sprinkle,  
Patmore & Anderson

[21] Appl. No.: **7,812**

[57] **CLAIM**

[22] Filed: **Jan. 28, 1987**

[52] U.S. Cl. .... **D10/96**

The ornamental design for a bluff body flowmeter, as shown.

[58] Field of Search ..... **D10/96, 100, 101;  
73/861.21, 861.22, 861.24, 204; 307/233**

**DESCRIPTION**

[56] **References Cited**

FIG. 1 is a top, front, and right side perspective view of a bluff body flowmeter showing my new design, which is shown on a reduced scale;

**U.S. PATENT DOCUMENTS**

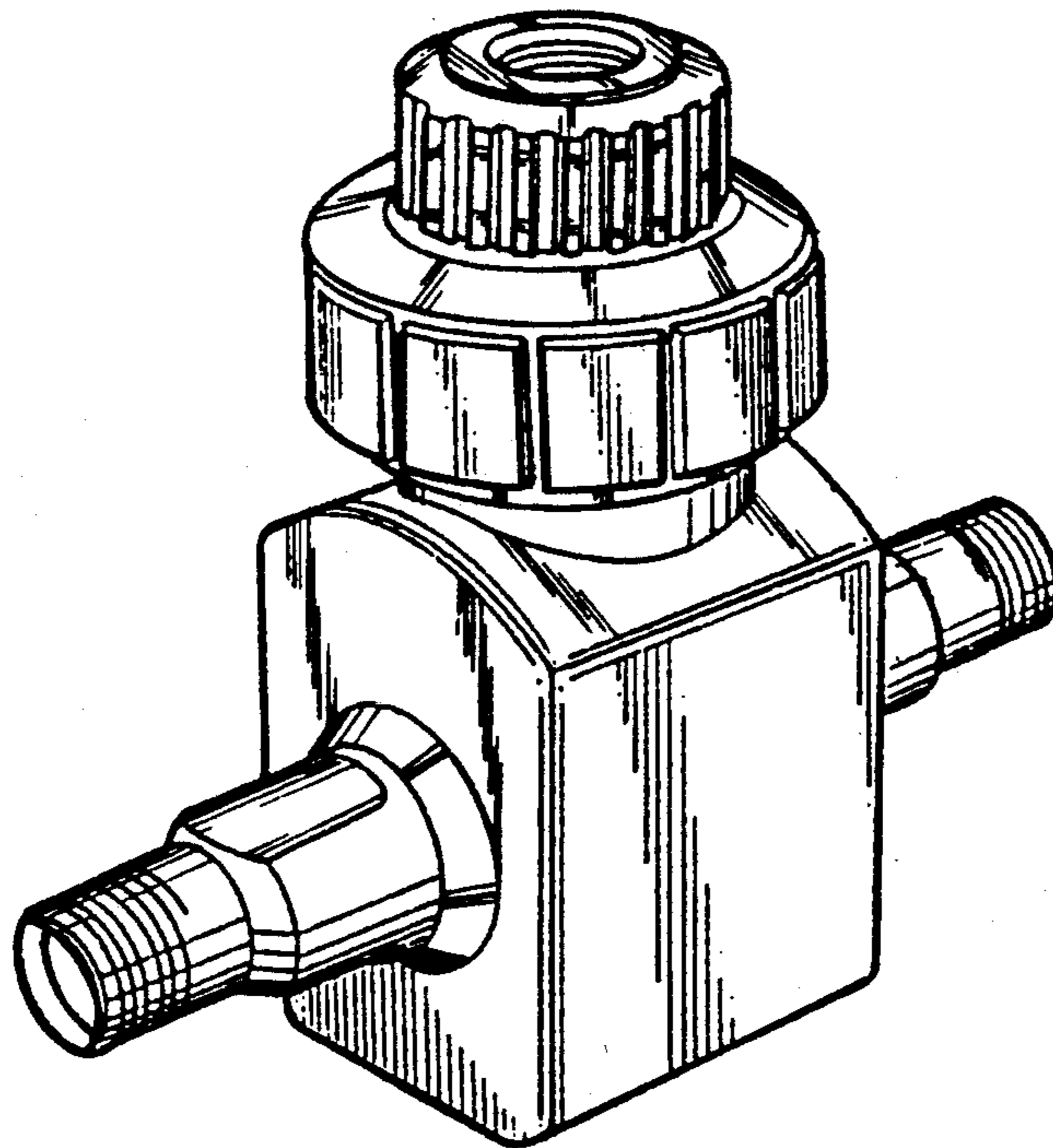
D. 255,999	7/1980	Molijn	.....	D10/96
D. 256,000	7/1980	Molijn	.....	D10/96
D. 282,448	2/1986	Hall	.....	D10/96
D. 297,716	9/1988	Rosaen	.....	D10/96
3,564,915	2/1971	Tomota et al.	.....	73/861.24 X
3,903,742	9/1975	Culton	.....	73/861.23

FIG. 2 is a top plan view which is shown on an enlarged scale in FIGS. 2 through 5;

FIG. 3 is a left side elevational view;

FIG. 4 is a bottom plan view; and,

FIG. 5 is a rear elevational view thereof.



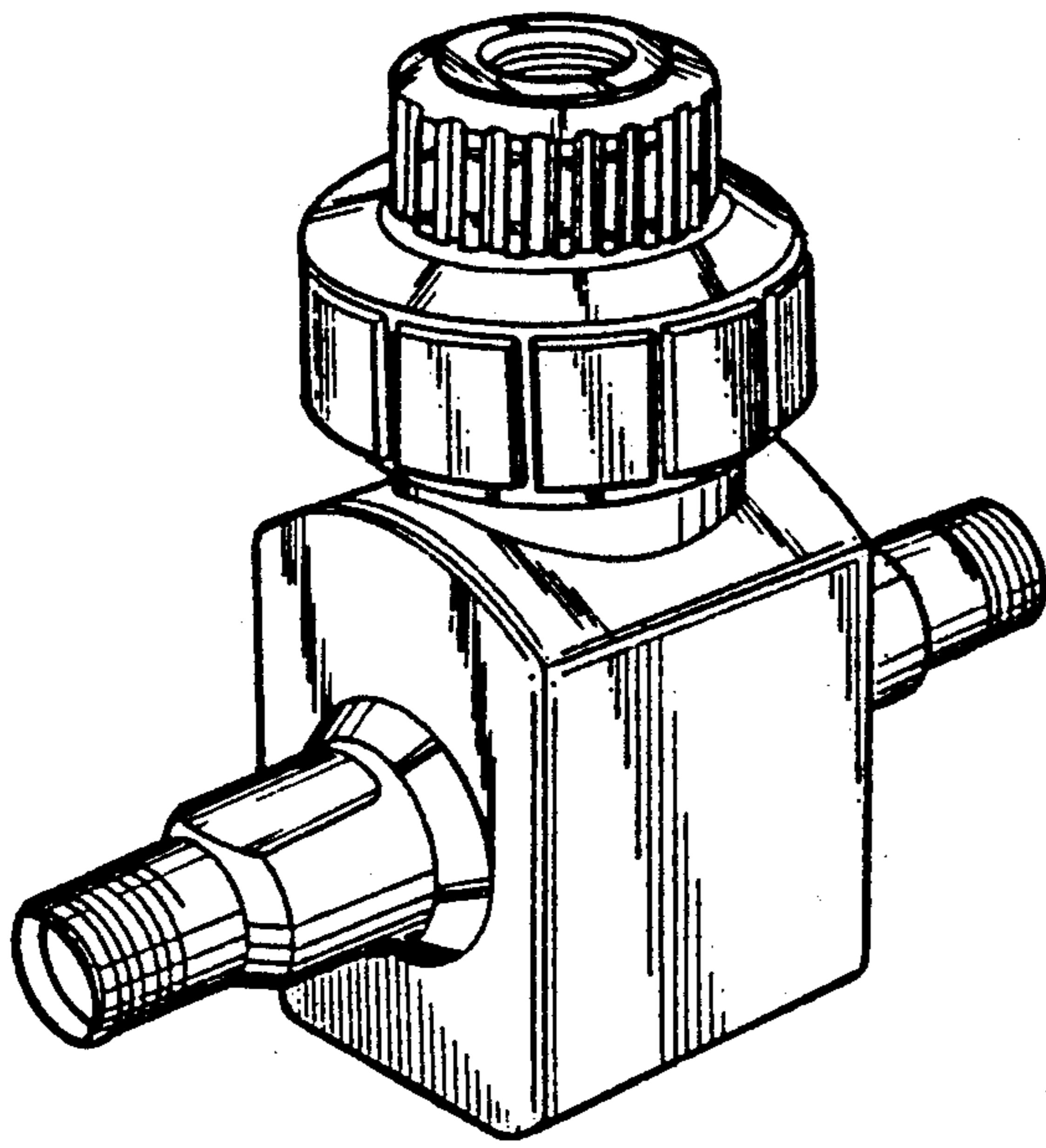


Fig-1

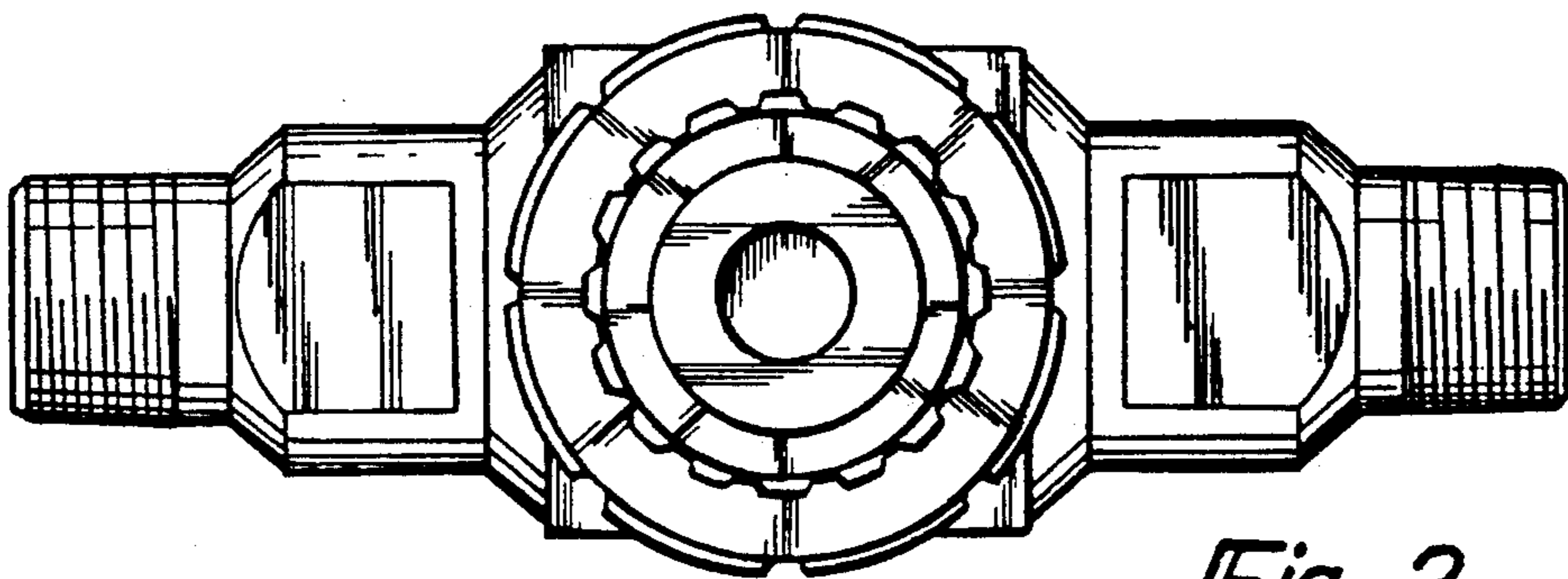


Fig-2

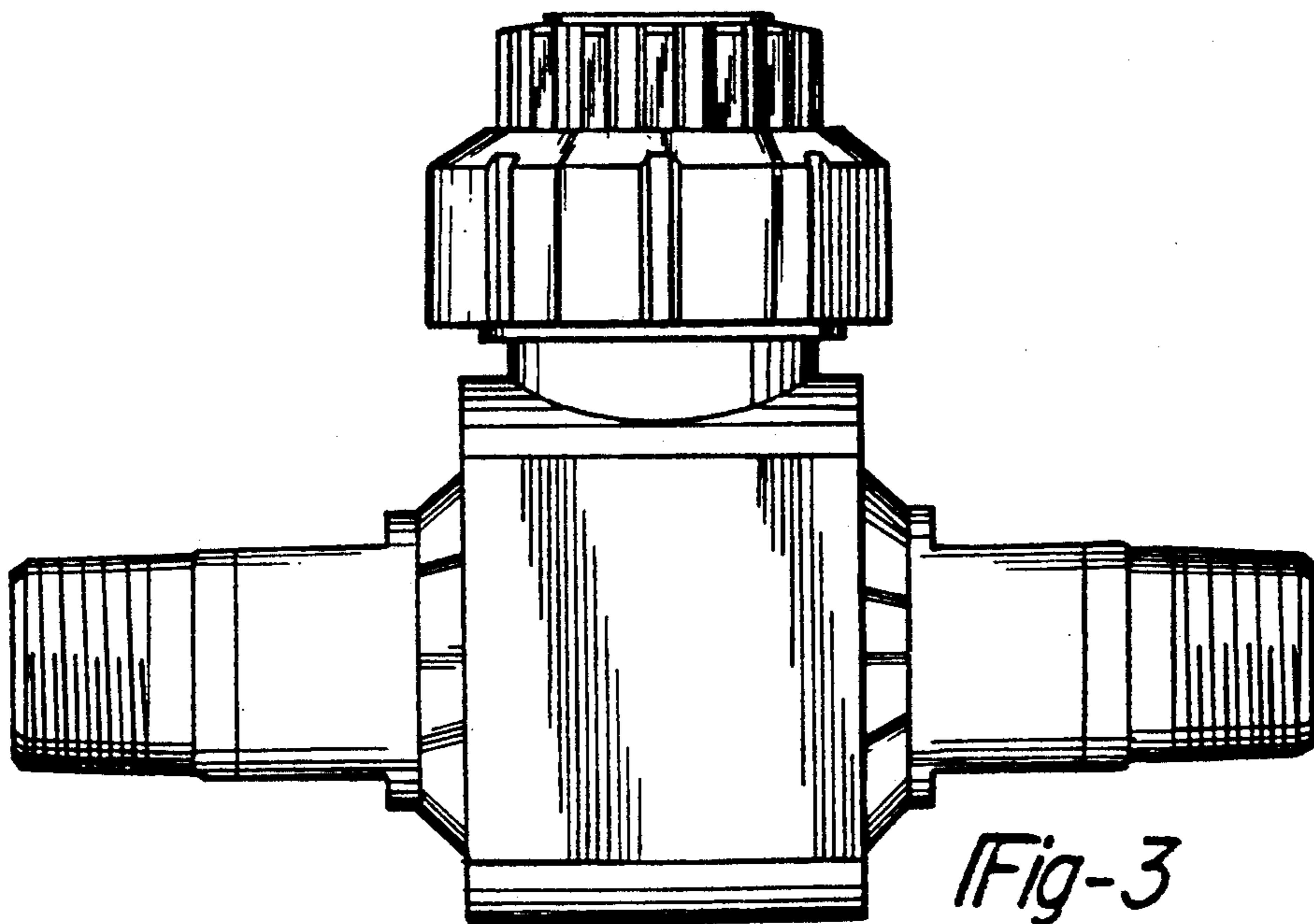


Fig-3

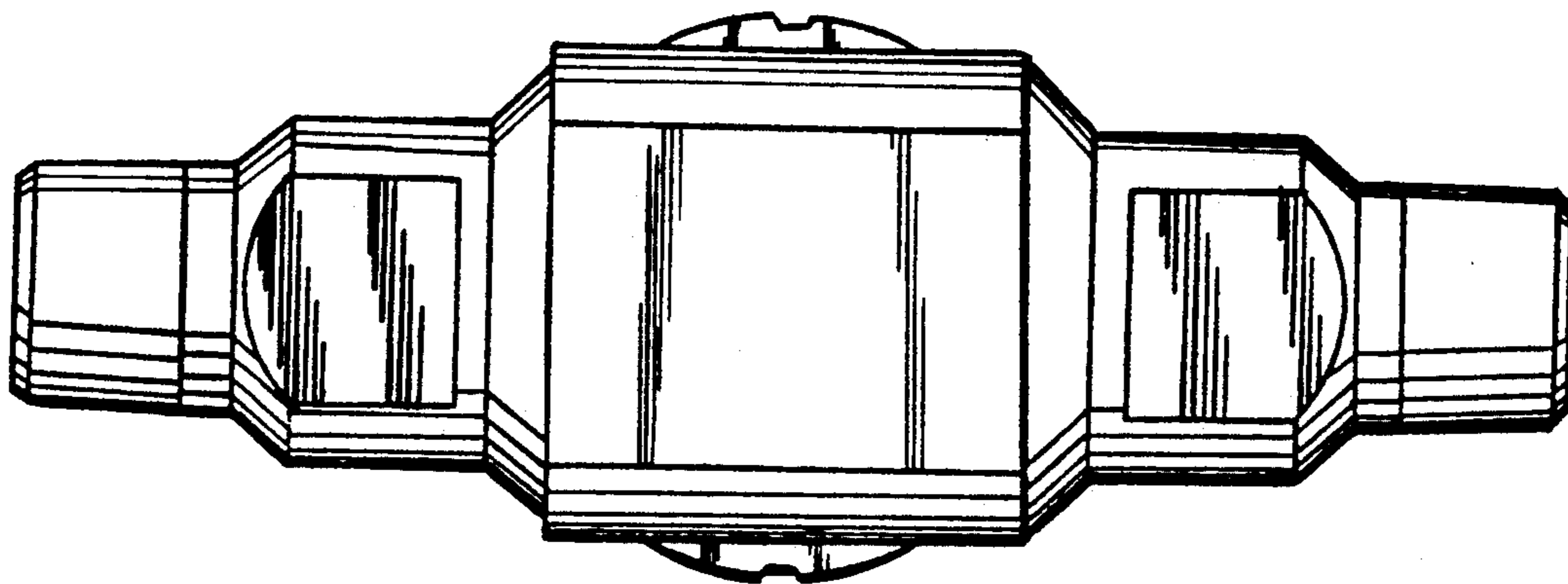


Fig-4

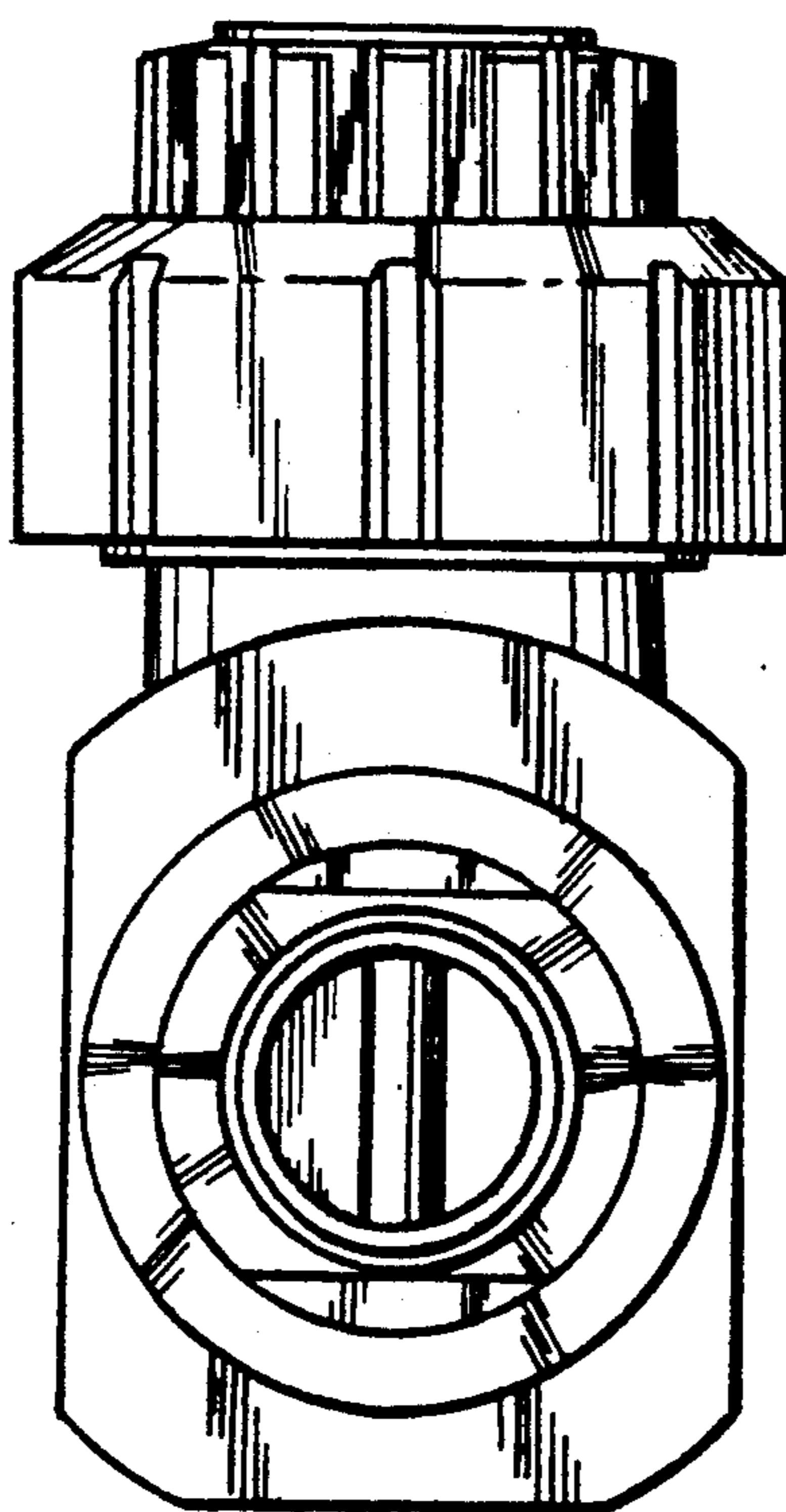


Fig-5