



US00D335091S

United States Patent [19]

[11] Patent Number: **Des. 335,091**

Schwartz

[45] Date of Patent: **** Apr. 27, 1993**

[54] **COMBINATION CALCULATOR AND TAPE RULE**

4,181,960	1/1980	Tateishi	33/760 X
4,551,847	11/1985	Caldwell	33/755 X
4,766,673	8/1988	Bolson .	
5,027,526	7/1991	Crane	33/755 X

[75] Inventor: **Alfred S. Schwartz, Darien, Conn.**

[73] Assignee: **Sonin, Inc., Scarsdale, N.Y.**

[**] Term: **14 Years**

Primary Examiner—Alan P. Douglas
Assistant Examiner—Antoine D. Davis
Attorney, Agent, or Firm—Pollock, Vande Sande & Priddy

[21] Appl. No.: **491,715**

[22] Filed: **Mar. 9, 1990**

[52] U.S. Cl. **D10/72**

[58] Field of Search **D10/72; 242/84.5, 85, 242/107.2, 107.3; 33/755-770**

[57] CLAIM

The ornamental design for a combination calculator and tape rule, as shown and described.

[56] References Cited

U.S. PATENT DOCUMENTS

D. 186,623	11/1959	Schwartz .	
D. 219,065	10/1990	Zelnick .	
D. 228,202	8/1973	Quenot .	
D. 286,861	11/1986	Hollinger .	
D. 295,504	5/1988	Yamamoto et al. .	
4,181,959	1/1980	Tateishi	33/760 X

DESCRIPTION

FIG. 1 is a top, front and left side perspective view of a combination calculator and tape rule showing my new design;

FIG. 2 is a front elevational view;

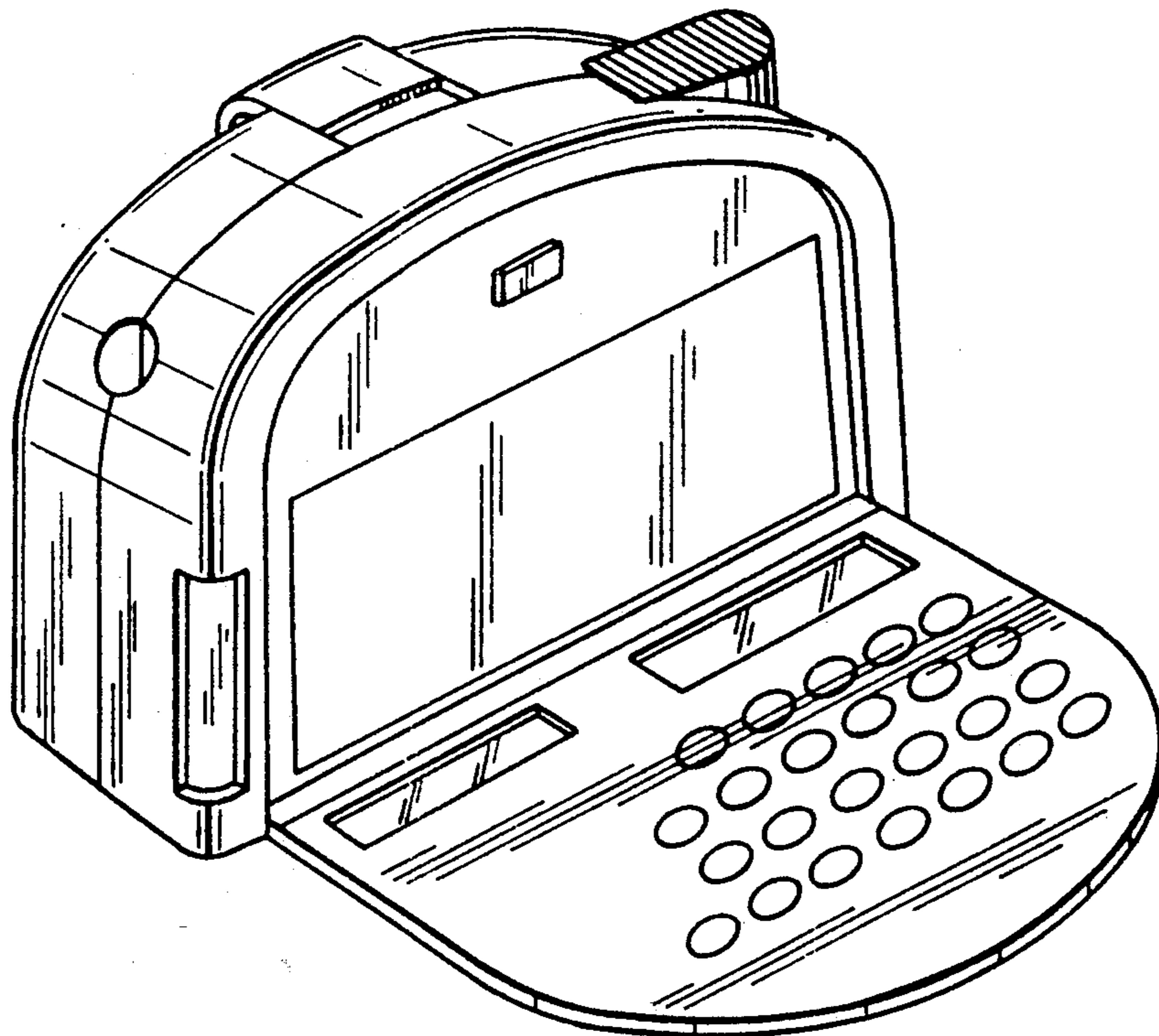
FIG. 3 is a right side elevational view;

FIG. 4 is a left side elevational view;

FIG. 5 is a rear elevational view;

FIG. 6 is a top plan view; and,

FIG. 7 is a bottom plan view thereof.



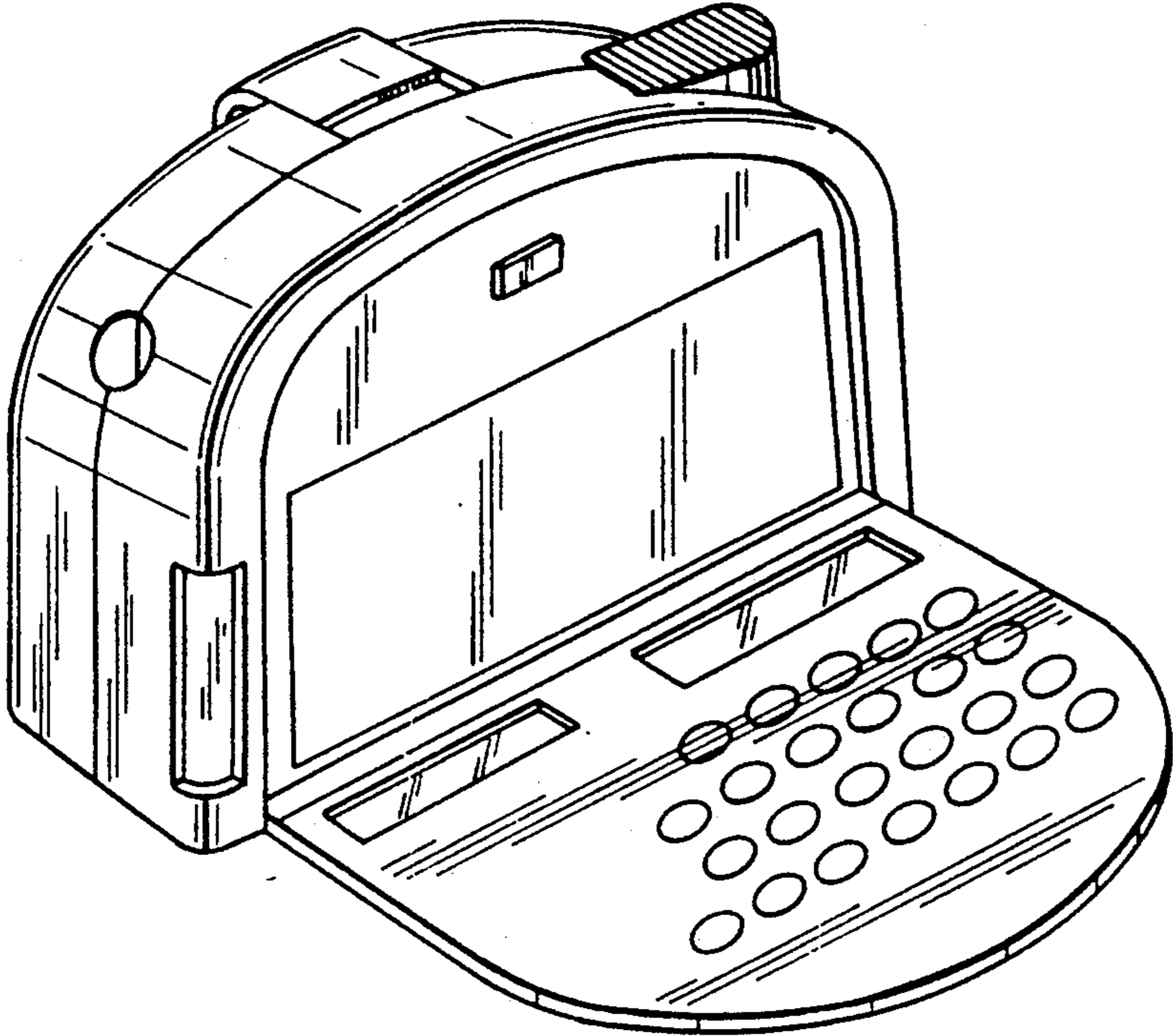


FIG. 1

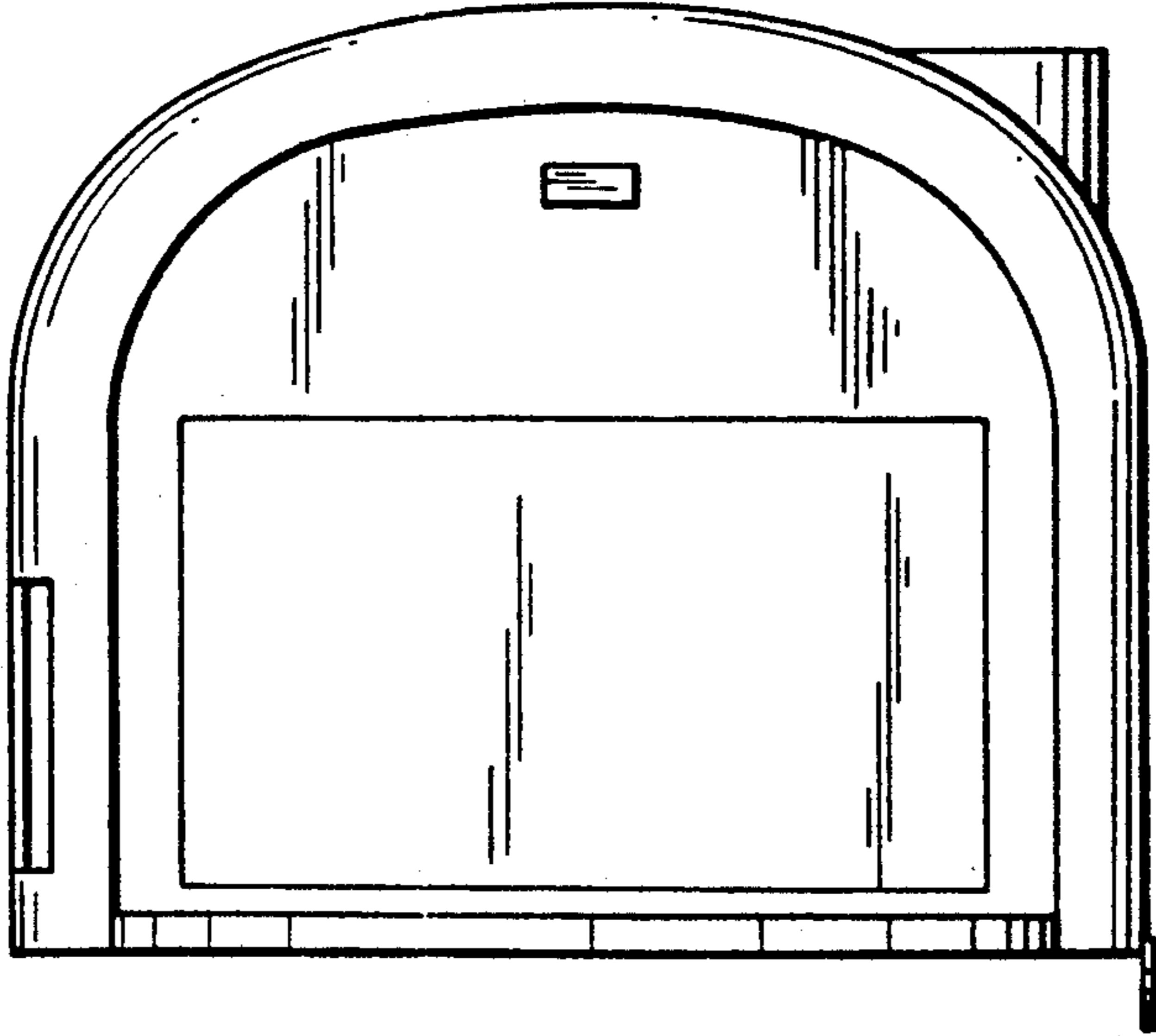


FIG. 2

FIG. 3

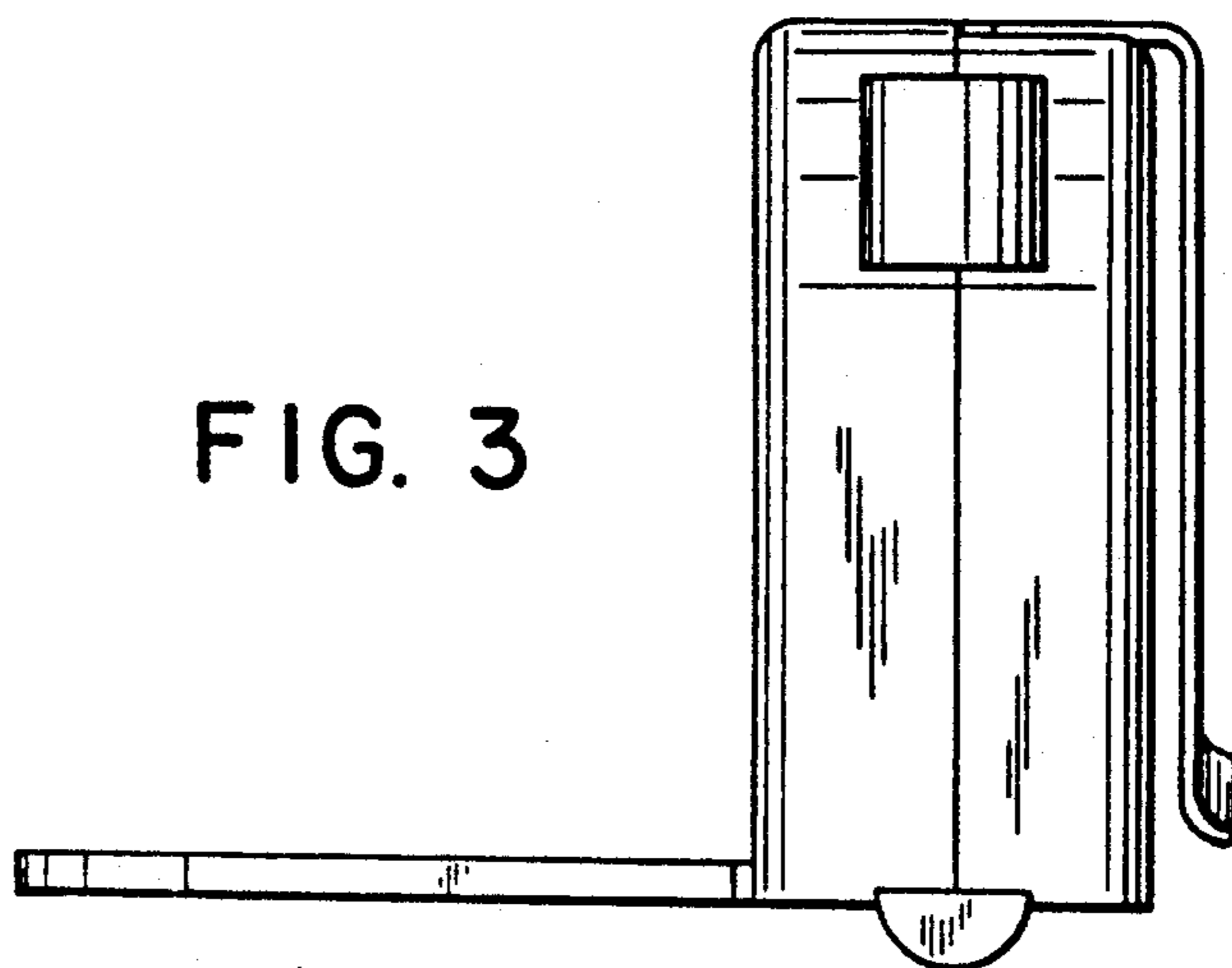


FIG. 4

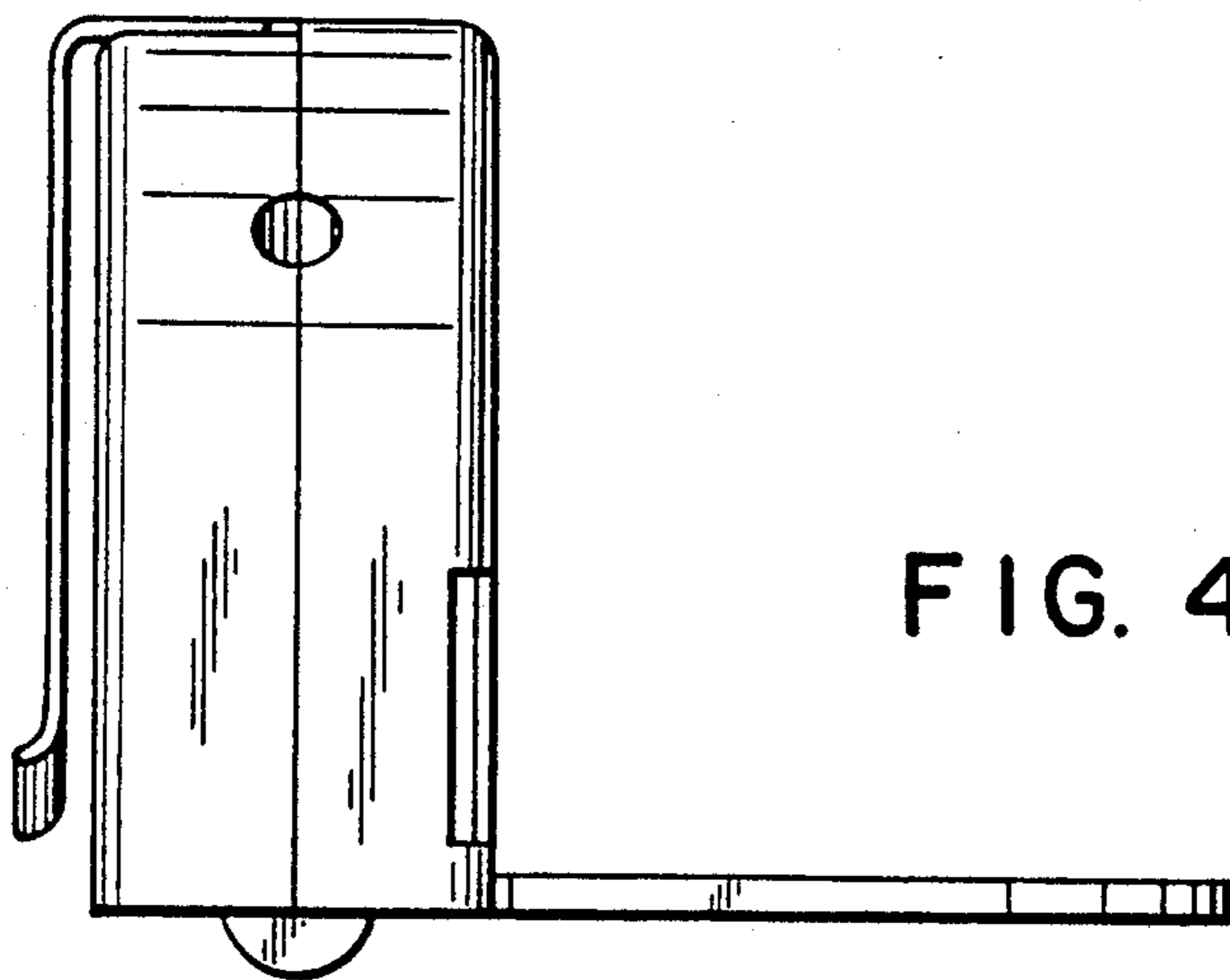
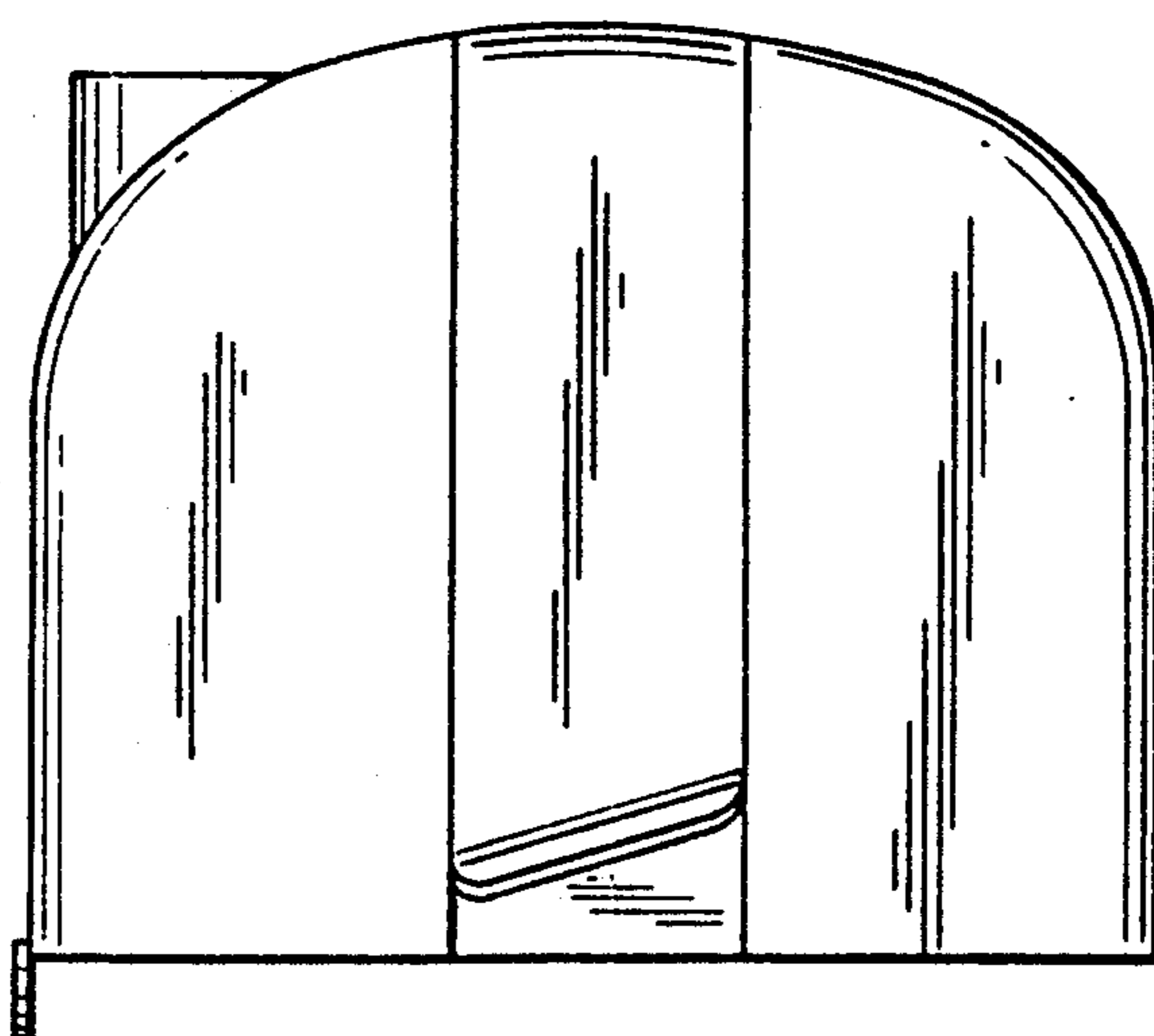


FIG. 5



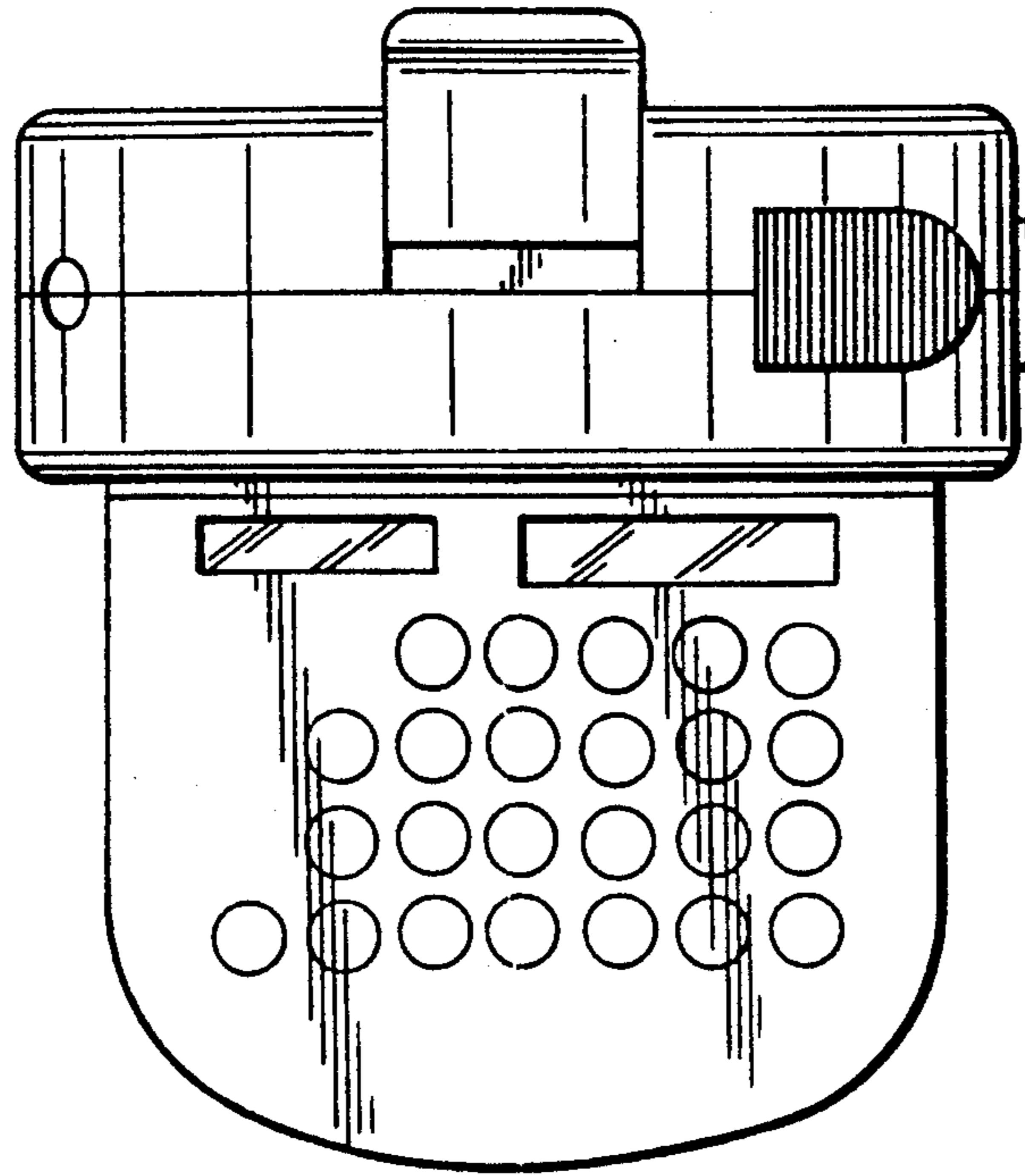


FIG. 6

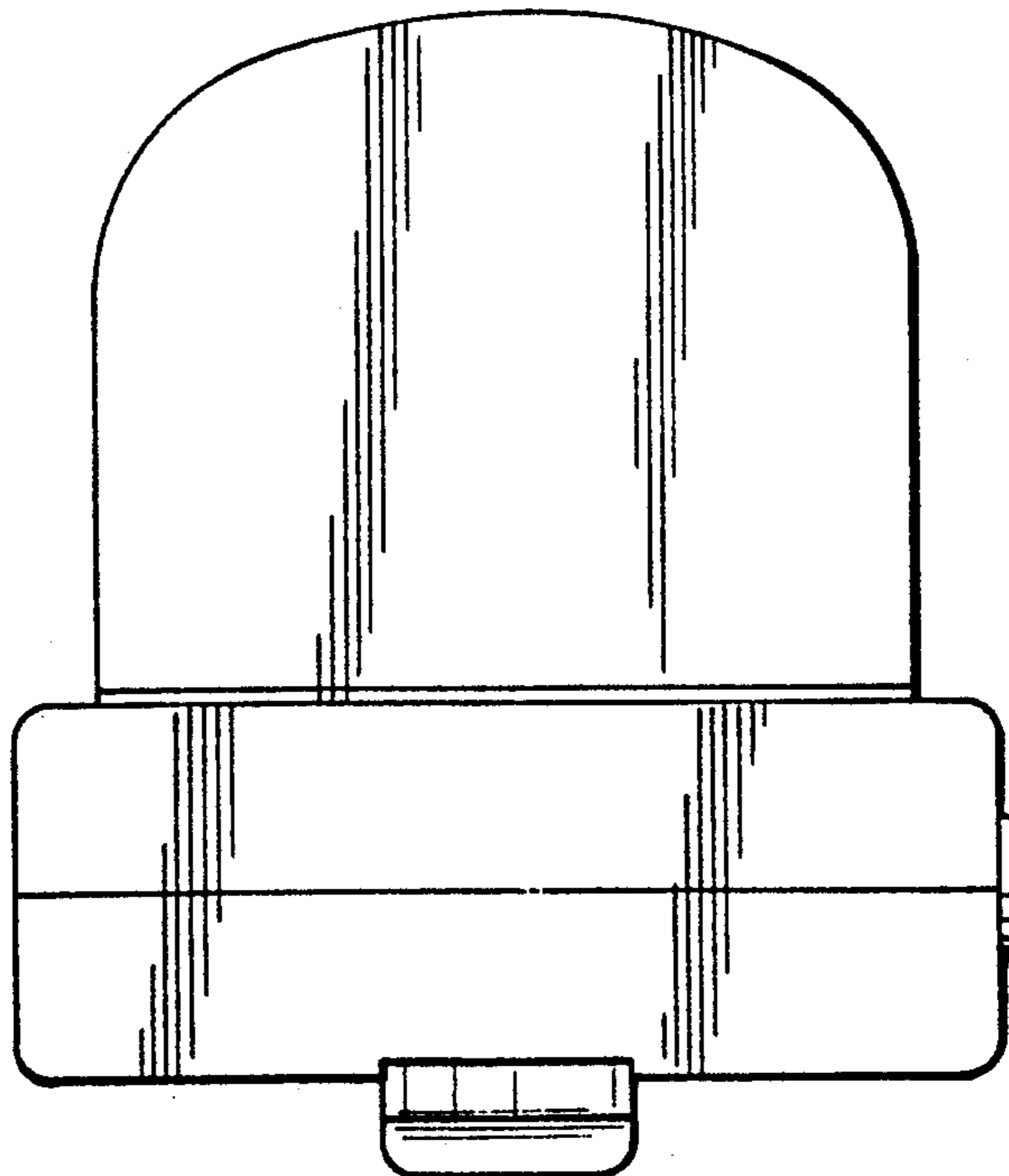


FIG. 7