



US00D335088S

United States Patent [19]

[11] Patent Number: **Des. 335,088**

Raleigh et al.

[45] Date of Patent: **** Apr. 27, 1993**

[54] **COORDINATE MEASURING MACHINE WITH COVERS**

5,142,790 9/1992 Raho et al. 33/503

[75] Inventors: **Freddie L. Raleigh; Frederick K. Bell,**
both of Centerville, Ohio

Primary Examiner—Alan P. Douglas
Assistant Examiner—Antoine D. Davis
Attorney, Agent, or Firm—John R. Benefiel

[73] Assignee: **Warner & Swasey Co., Sheffield**
Measurement Div., Bloomfield Hills,
Mich.

[57] **CLAIM**

The ornamental design for a coordinate measuring machine with covers, as shown and described.

[**] Term: **14 Years**

DESCRIPTION

[21] Appl. No.: **688,210**

[22] Filed: **Apr. 22, 1991**

[52] U.S. Cl. **D10/46**

[58] Field of Search **D10/46, 60, 62, 70;**
33/1 M, 1 B, 1 C, 503; 364/371.5

FIG. 1 is a perspective view of a coordinate measuring machine with covers according to the present invention;

FIG. 2 is a front elevational view of the coordinate measuring machine with covers shown in FIG. 1;

FIG. 3 is a rear elevational view of the coordinate measuring machine with covers shown in FIG. 1;

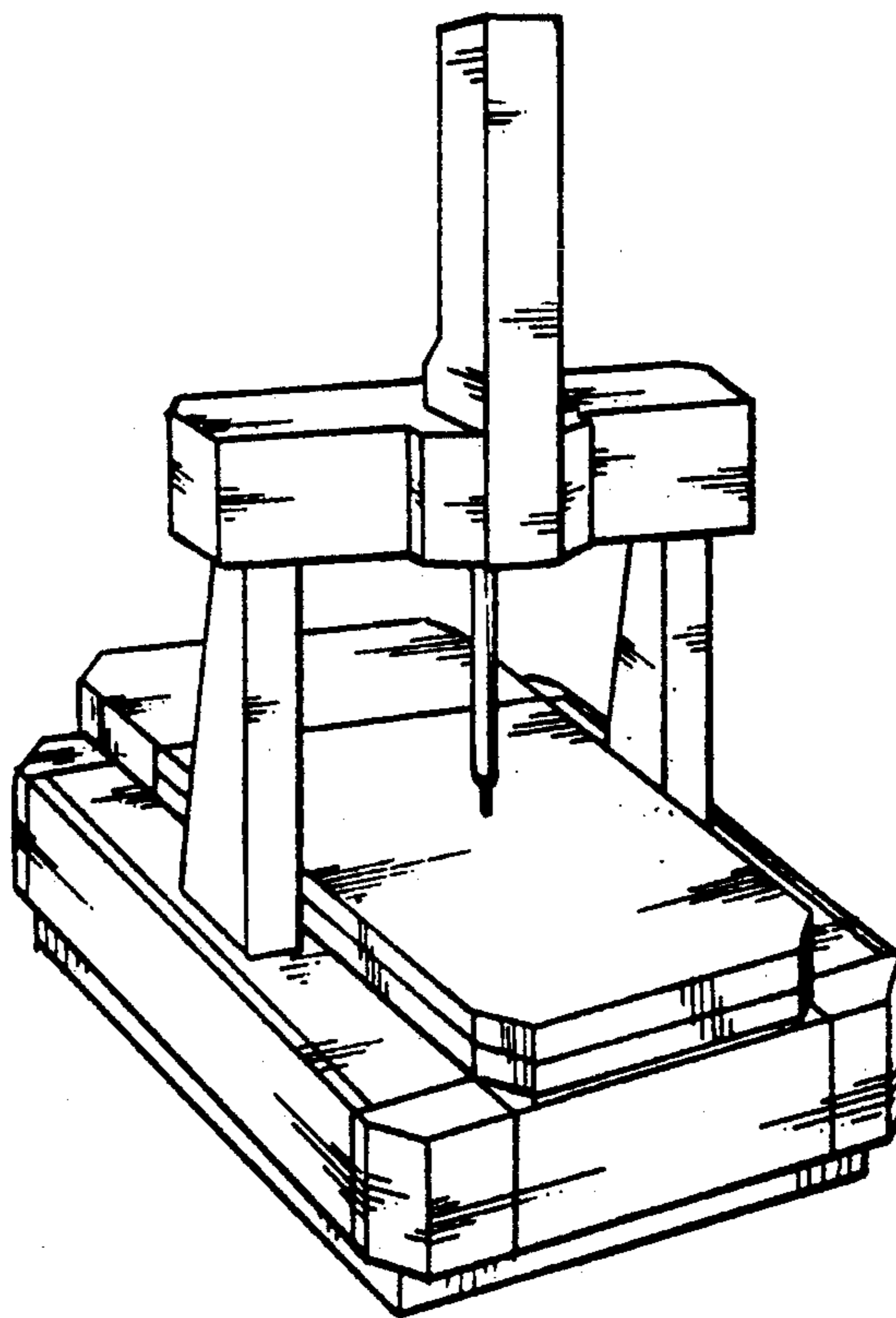
FIG. 4 is a left side elevational view of the coordinate measuring machine with covers shown in FIG. 1, the right side elevational view being a mirror image; and,

FIG. 5 is a top view of the coordinate measuring machine with covers shown in FIG. 1.

[56] **References Cited**

U.S. PATENT DOCUMENTS

- D. 314,347 2/1991 Garnich et al. D10/46
- 4,741,112 5/1988 Band et al. 33/503
- 4,908,950 3/1990 Band et al. 33/1 M X



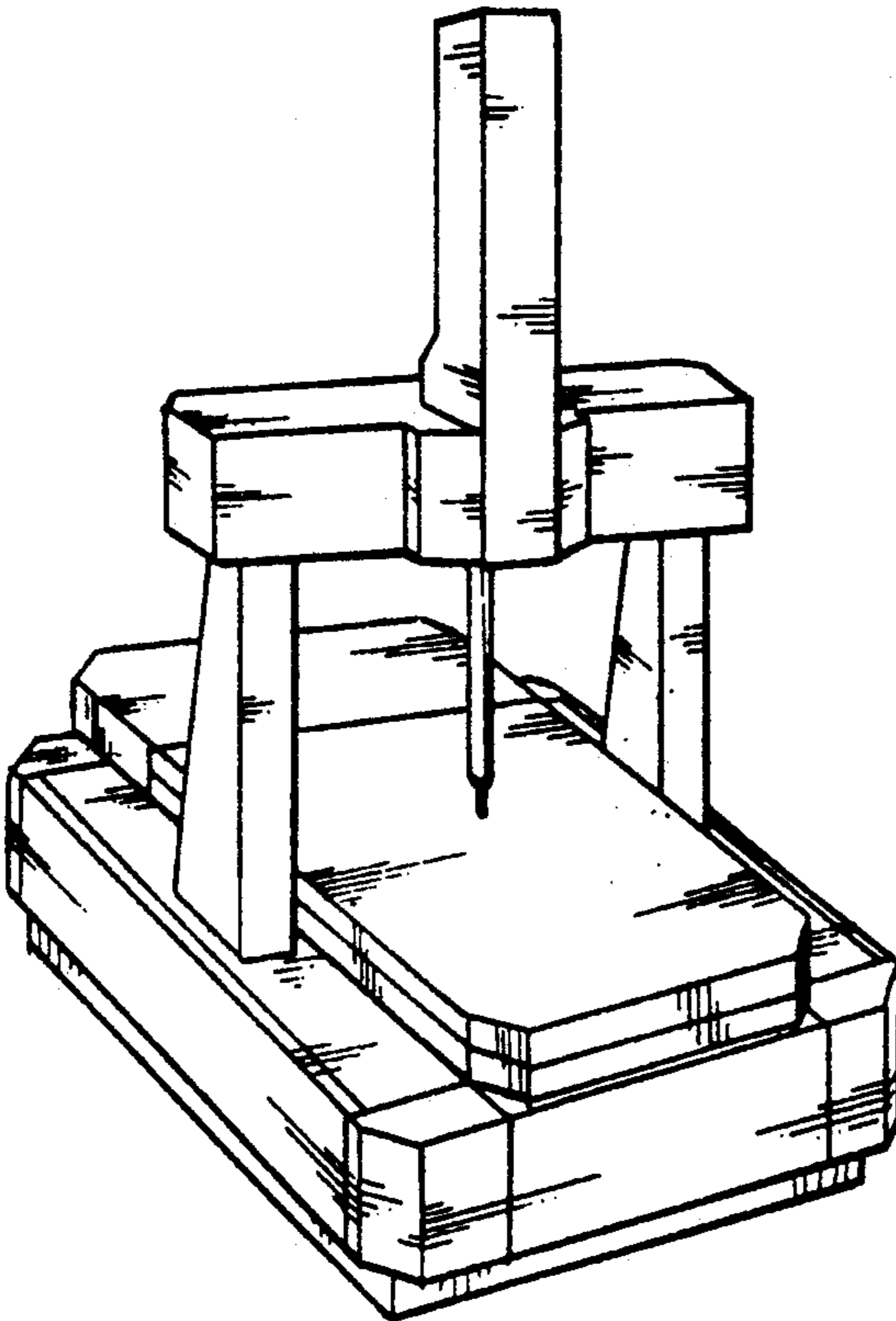


FIG-1

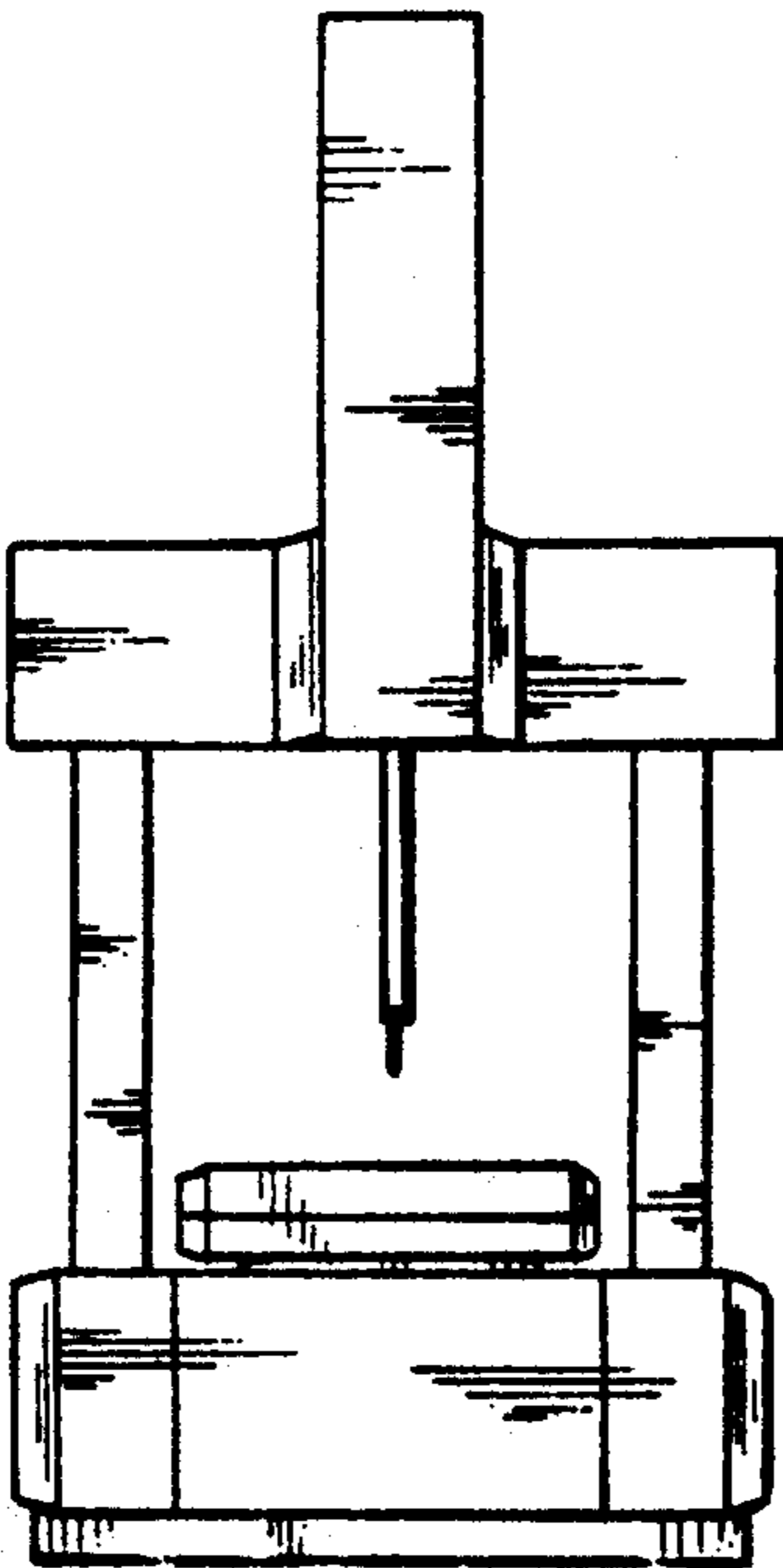


FIG-2

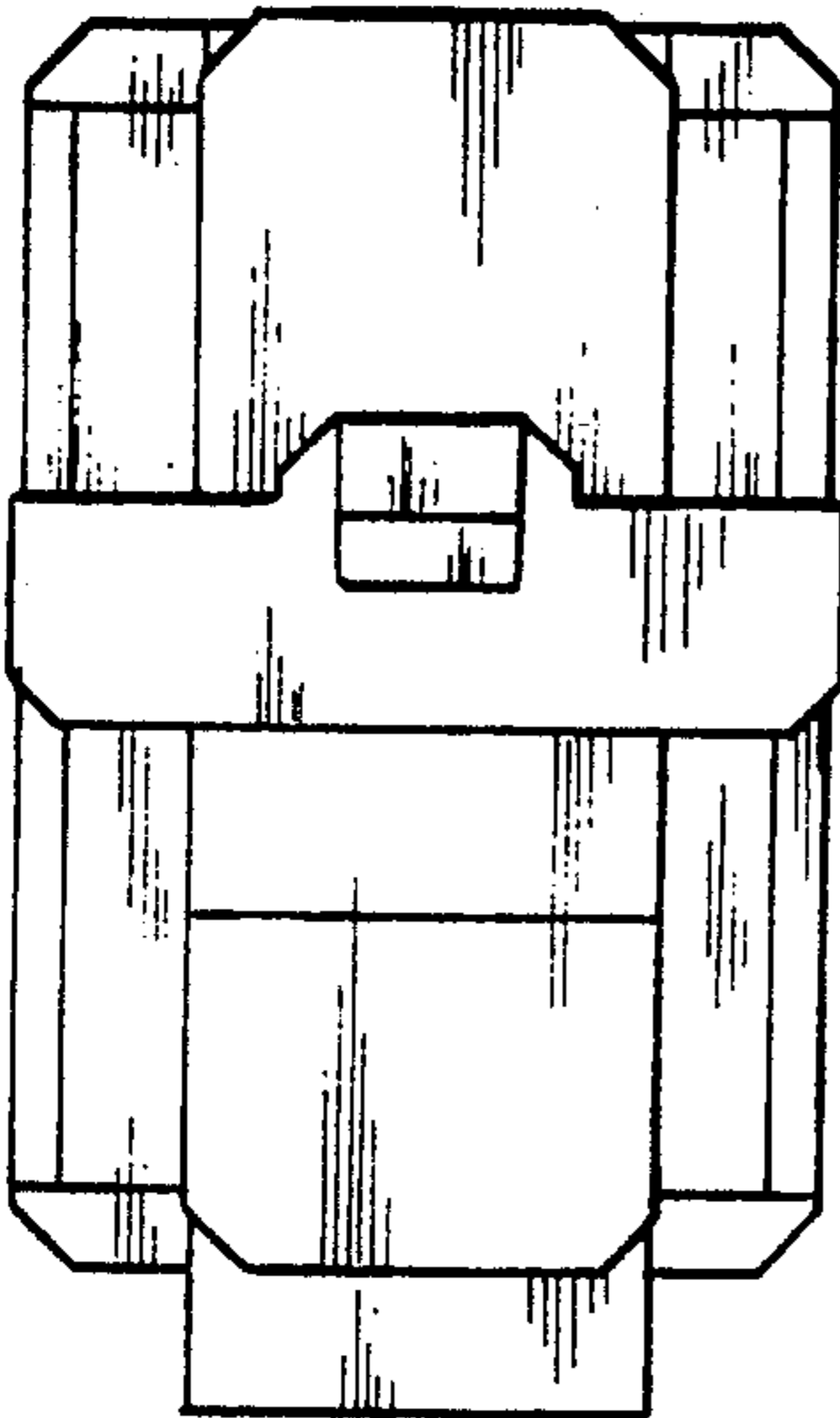


FIG-5

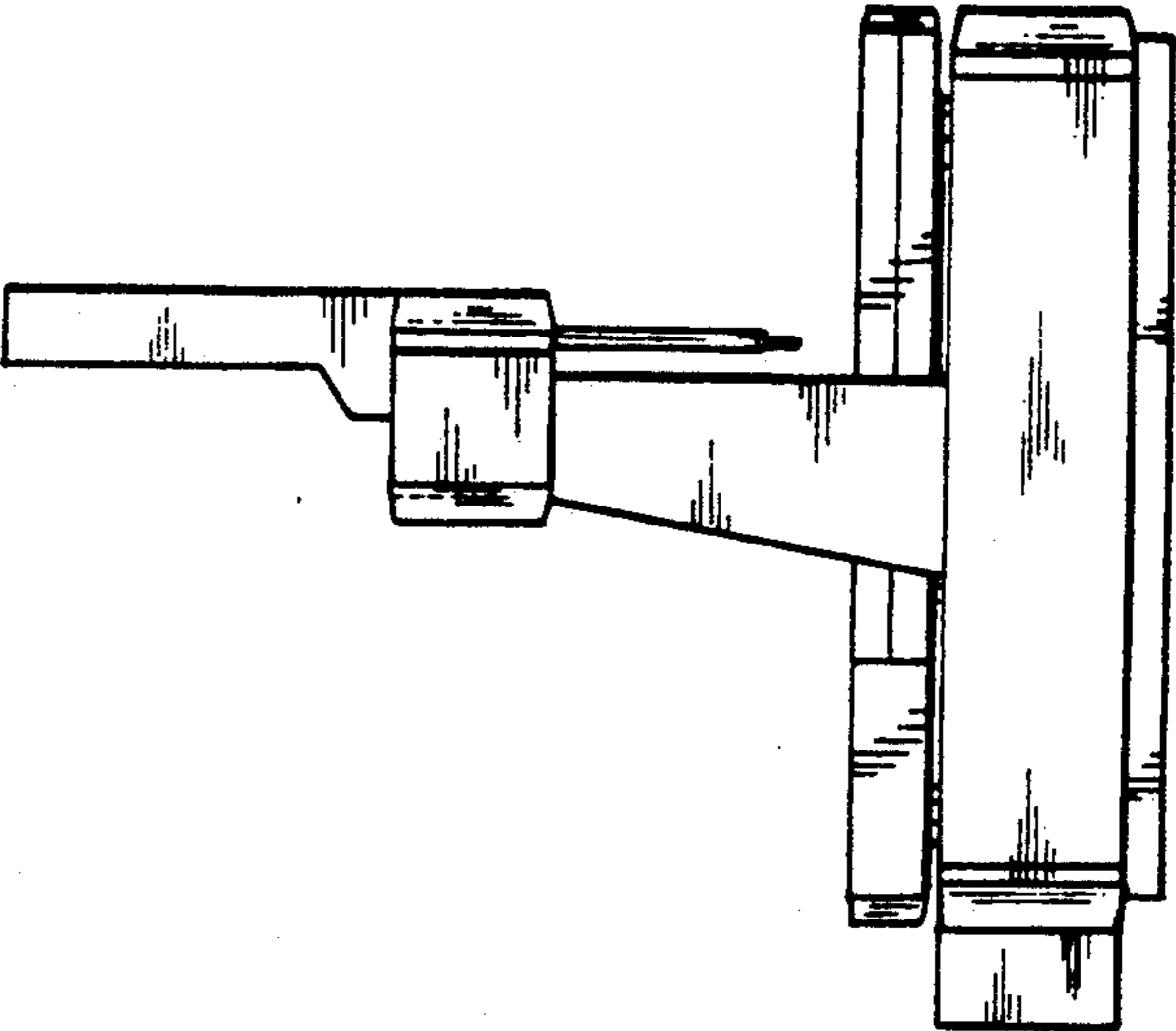


FIG-4

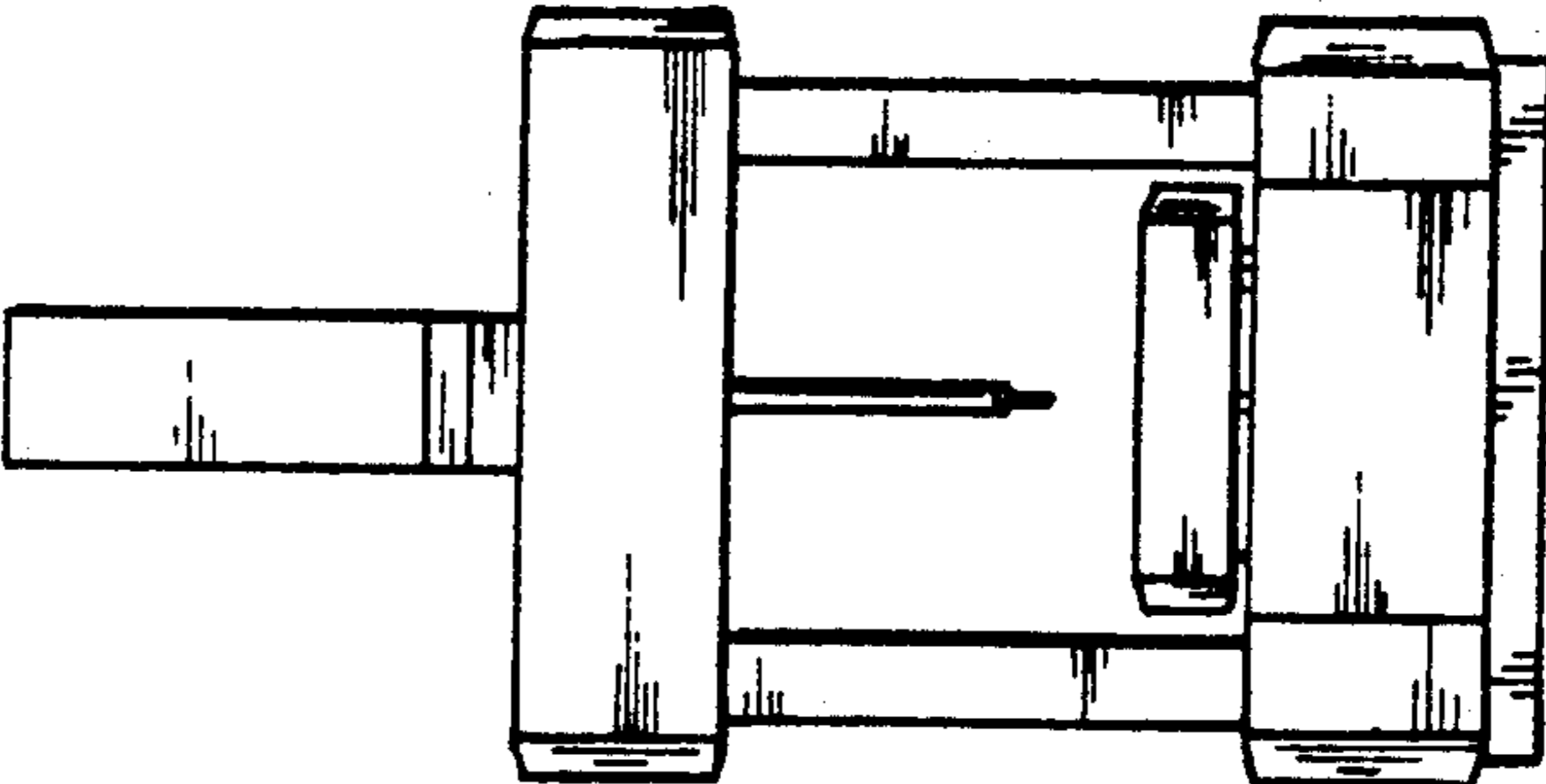


FIG-3