



US00D335067S

# United States Patent [19]

[11] Patent Number: **Des. 335,067**

Hamilton et al.

[45] Date of Patent: **\*\* Apr. 27, 1993**

[54] **LUNCH TRANSPORTING CONTAINER**

[75] Inventors: **Phillip W. Hamilton; W. Henry Kahl**, both of Wooster, Ohio

[73] Assignee: **Rubbermaid Incorporated**, Wooster, Ohio

[\*\*] Term: **14 Years**

[21] Appl. No.: **790,705**

[22] Filed: **Nov. 12, 1991**

[52] U.S. Cl. .... **D7/626**

[58] Field of Search ..... **D7/626; D3/30.1, 35, D3/39, 76, 73; 206/541, 543, 544, 545; 220/DIG. 10**

[56] **References Cited**

**U.S. PATENT DOCUMENTS**

D. 297,602	9/1988	Schnur	.....	D7/626
D. 316,178	4/1991	Uemura	.....	D7/626 X
1,748,841	2/1930	Hermani	.	
2,672,232	3/1954	Kessell	.....	206/4

**OTHER PUBLICATIONS**

Catalog page, Lunch boxes, A. K. Das & Co., Kinder Collection, 1809½ North Orangethorp Park, Anaheim, California 92801. It is believed that the products depicted herein have been on sale for more than one (1) year prior to the application date of this instant application.  
Sell Sheet, workman's lunch kit, Aladdin Industries, 703

Murfreesboro Road, Nashville, Tennessee 37210. It is believed that the products depicted herein have been on sale for more than one (1) year prior to the application date of this instant application.

Magazine page, MetroKane Ad for lunch boxes, *Housewares Furnishings Daily*, A Capital Cities/ABC Inc. Company, 7 West 34th Street, New York, New York 10021. Publication date May 28, 1990.

P. 5, Cooler, Rubbermaid Incorporated, Specialty Products Division, North Honeytown Road, Smithville, Ohio 44677. Publication date 1990.

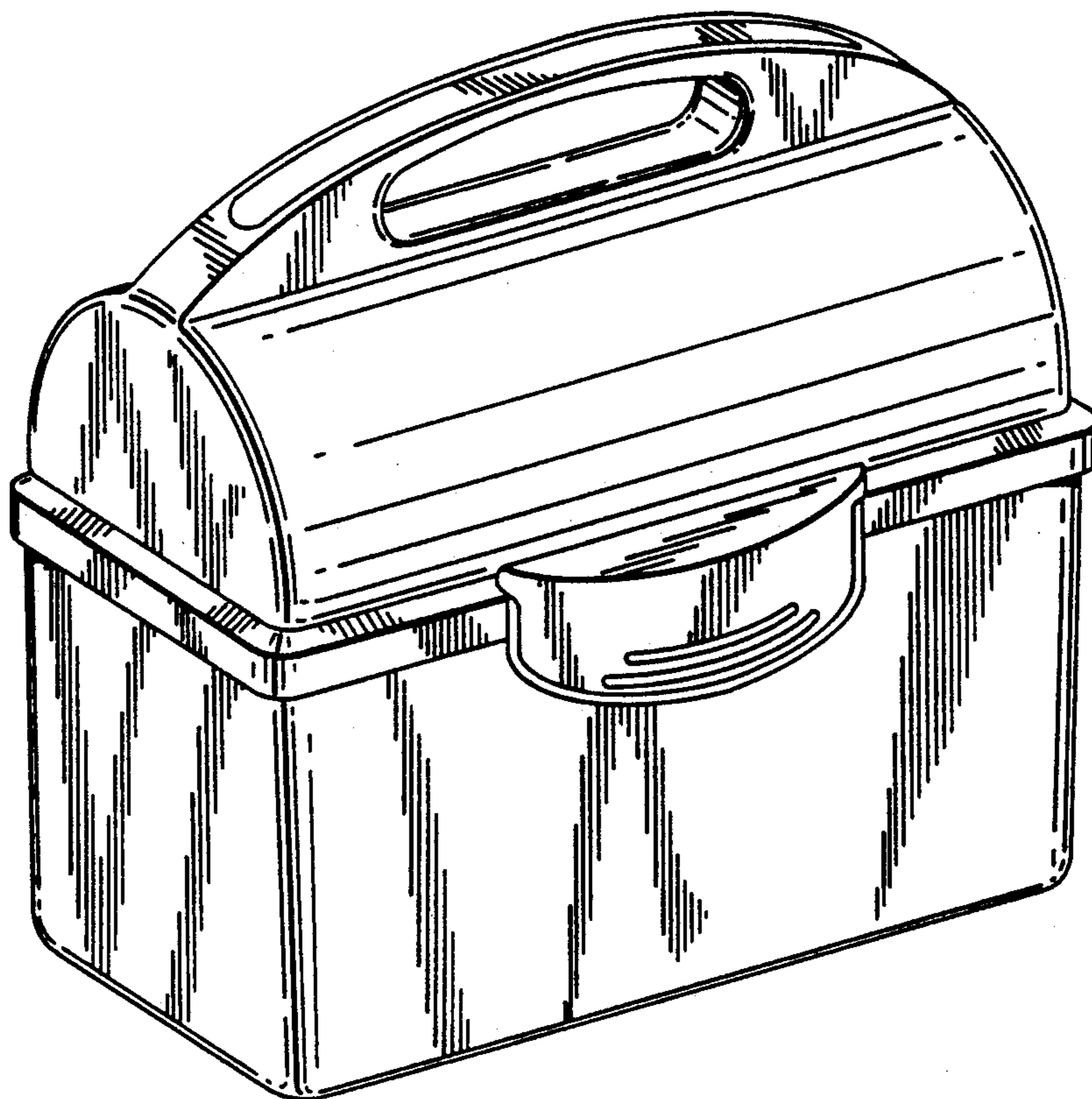
*Primary Examiner*—Terry A. Pfeffer  
*Attorney, Agent, or Firm*—Richard B. O'Planick

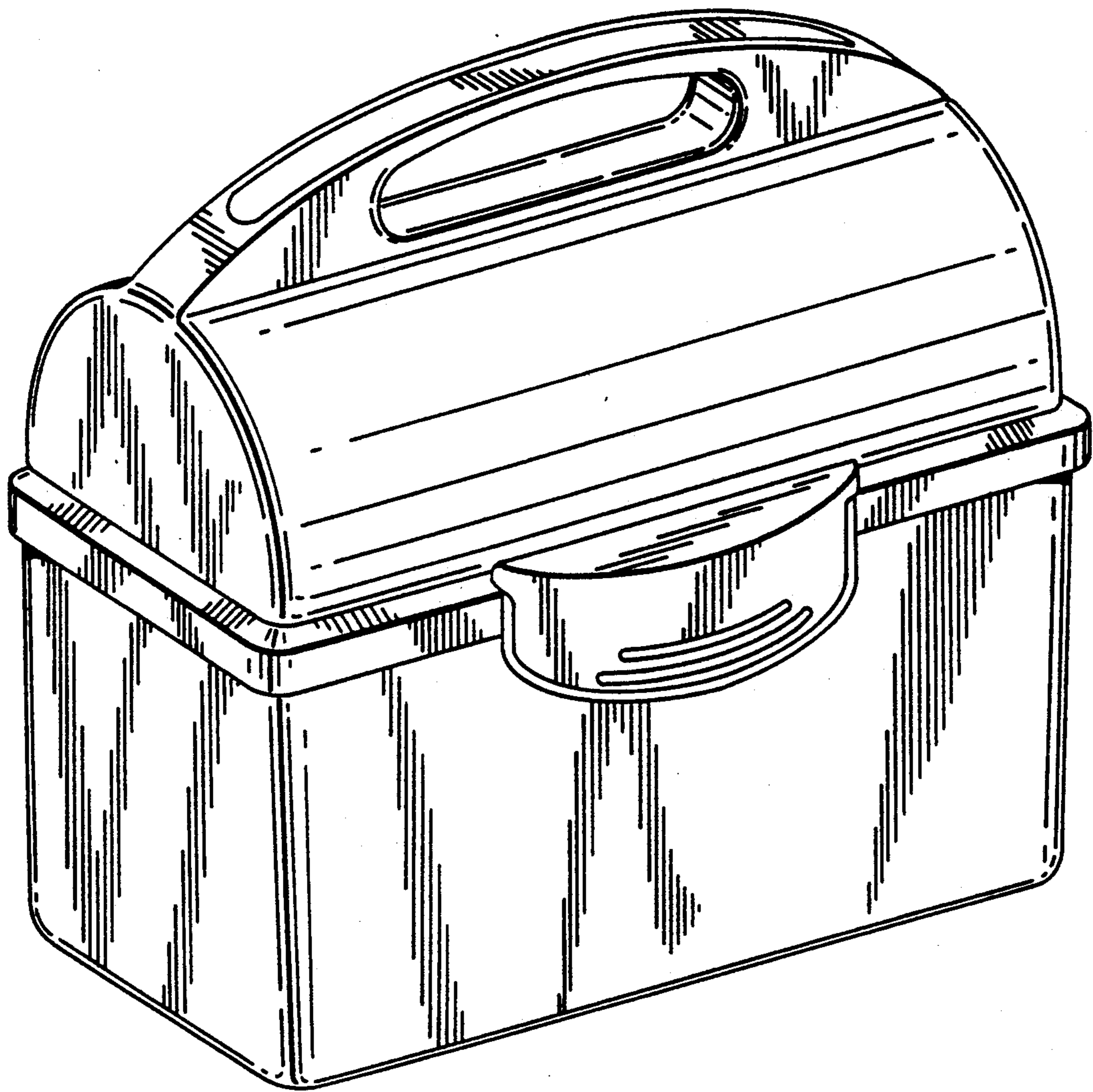
[57] **CLAIM**

The ornamental design for a lunch transporting container, as shown and described.

**DESCRIPTION**

FIG. 1 is a top left front perspective view of a lunch transporting container showing our new design; FIG. 2 is a front elevational view thereof; FIG. 3 is a rear elevational view thereof; FIG. 4 is a right side elevational view thereof; the opposite side being a mirror image; FIG. 5 is a top plan view thereof; FIG. 6 is a bottom plan view thereof; and, FIG. 7 is a cross-sectional view thereof taken along line 7-7 of FIG. 5.





*FIG. 1*

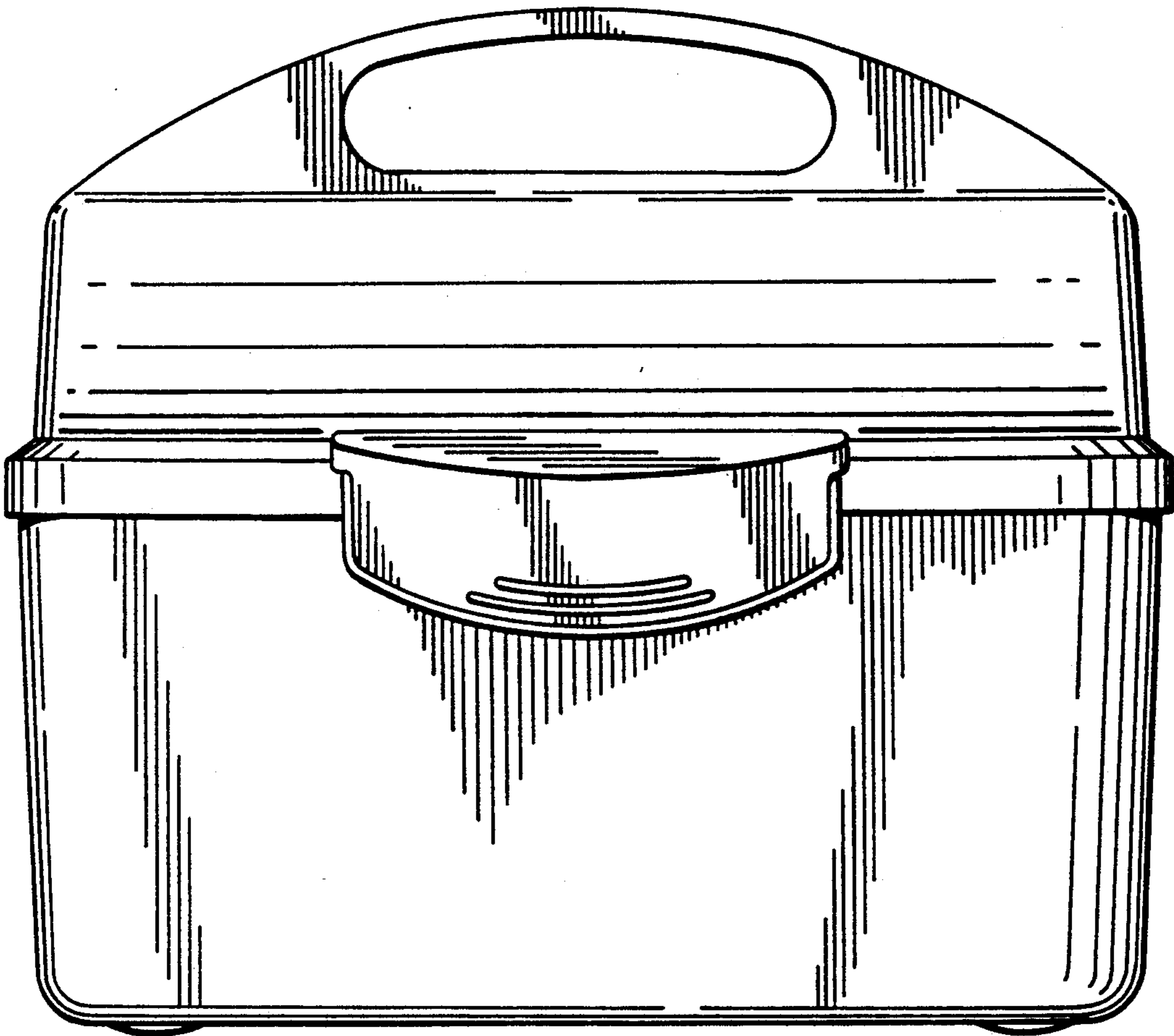
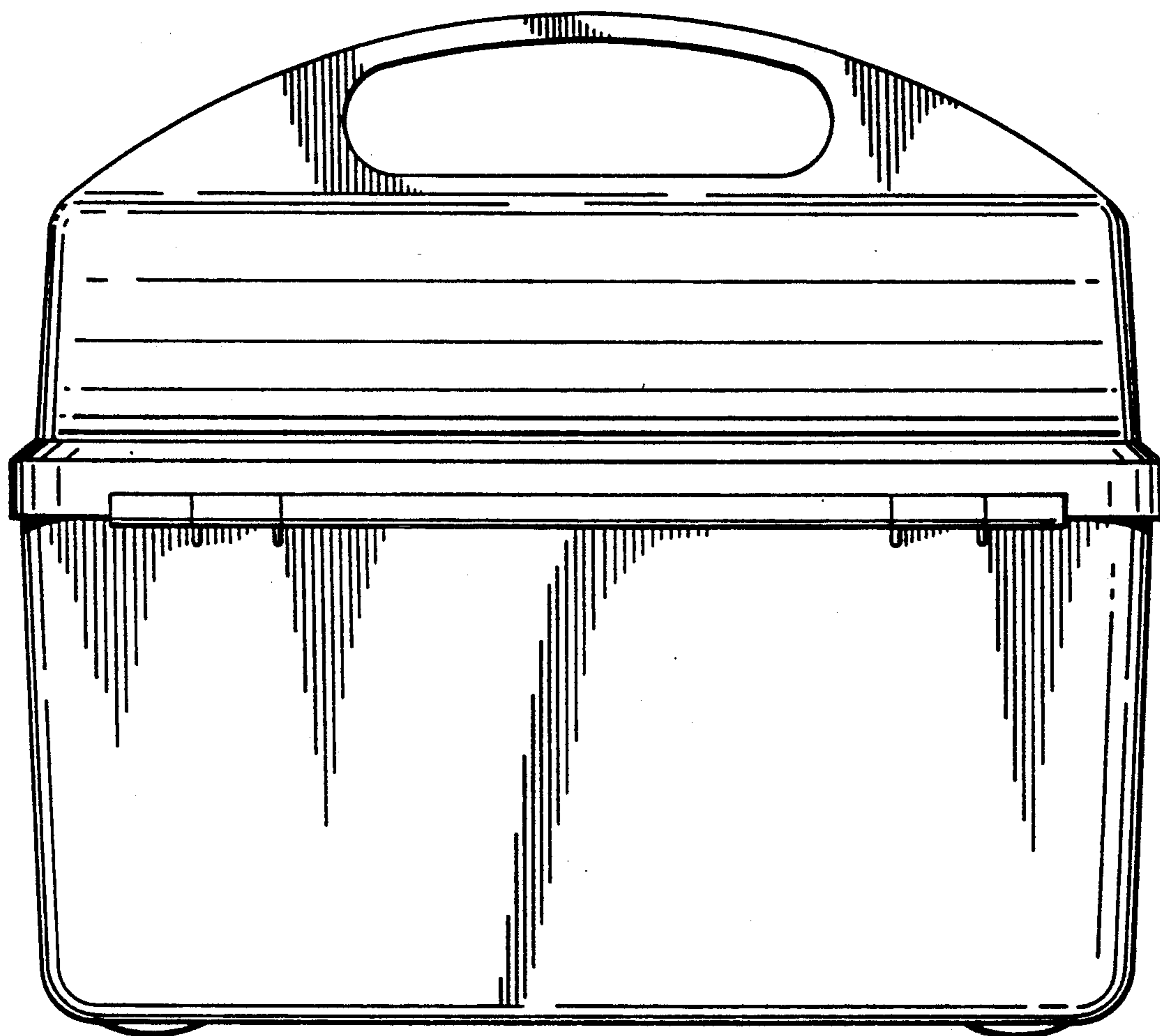
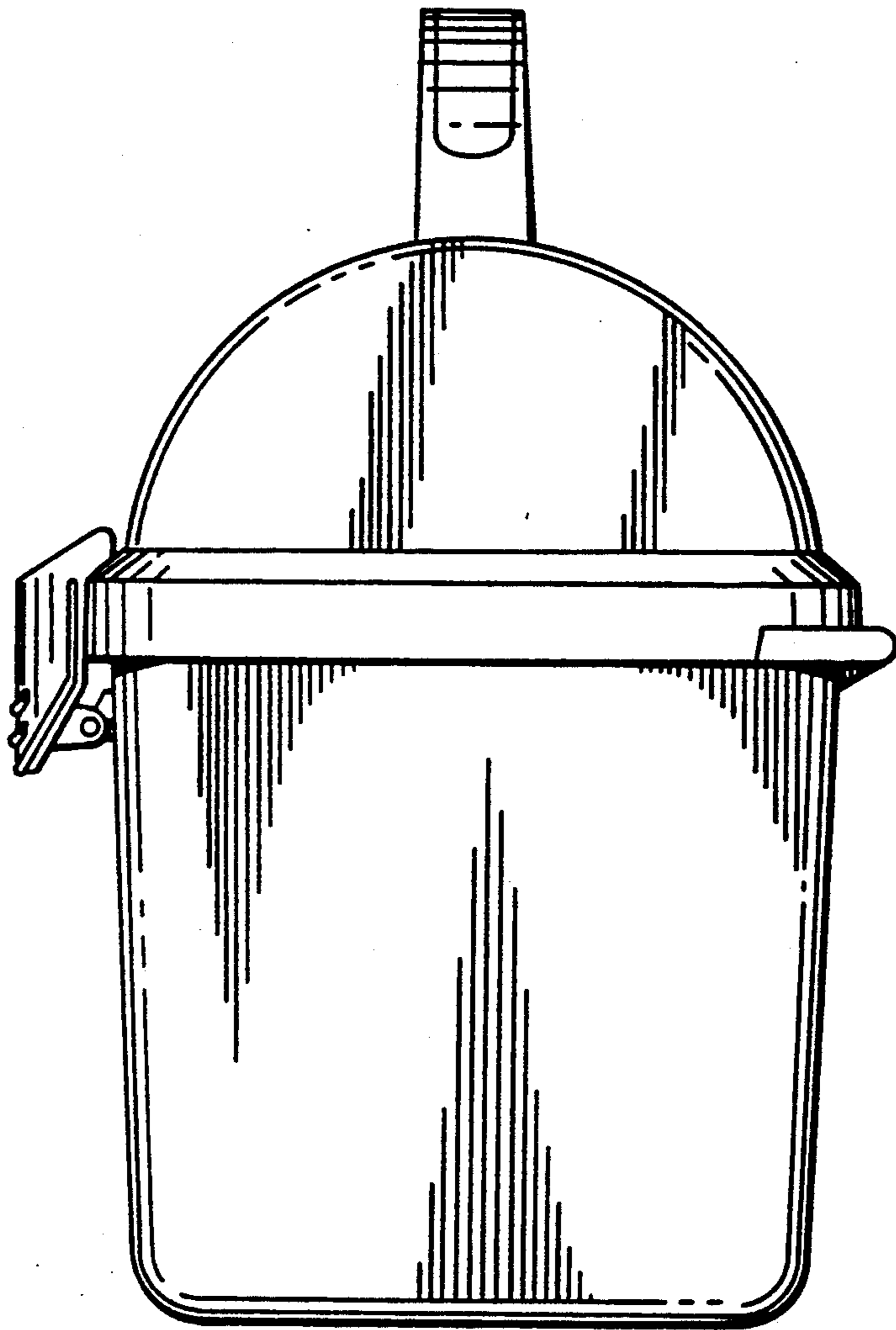


FIG. 2



**FIG. 3**



**FIG. 4**

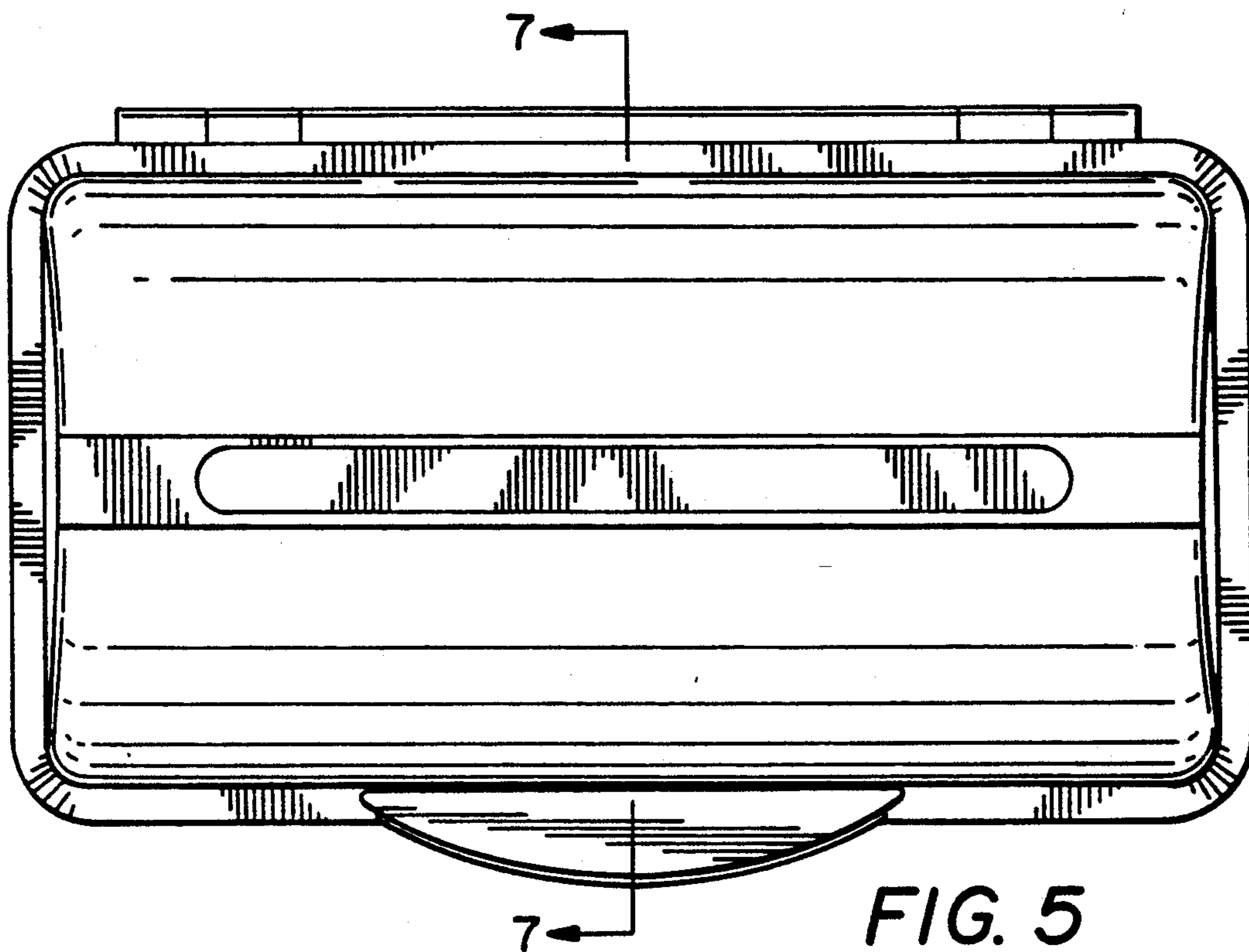


FIG. 5

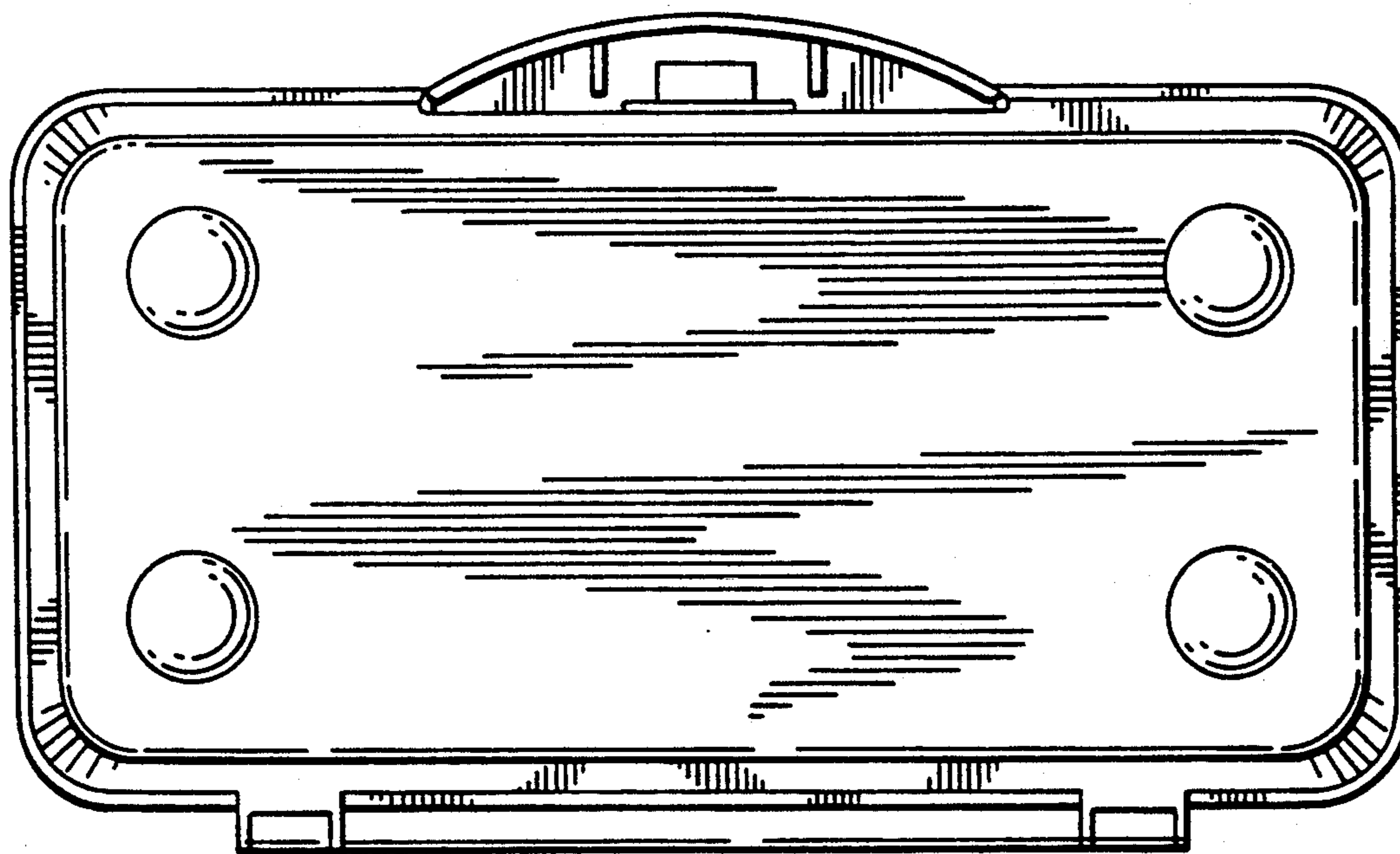


FIG. 6

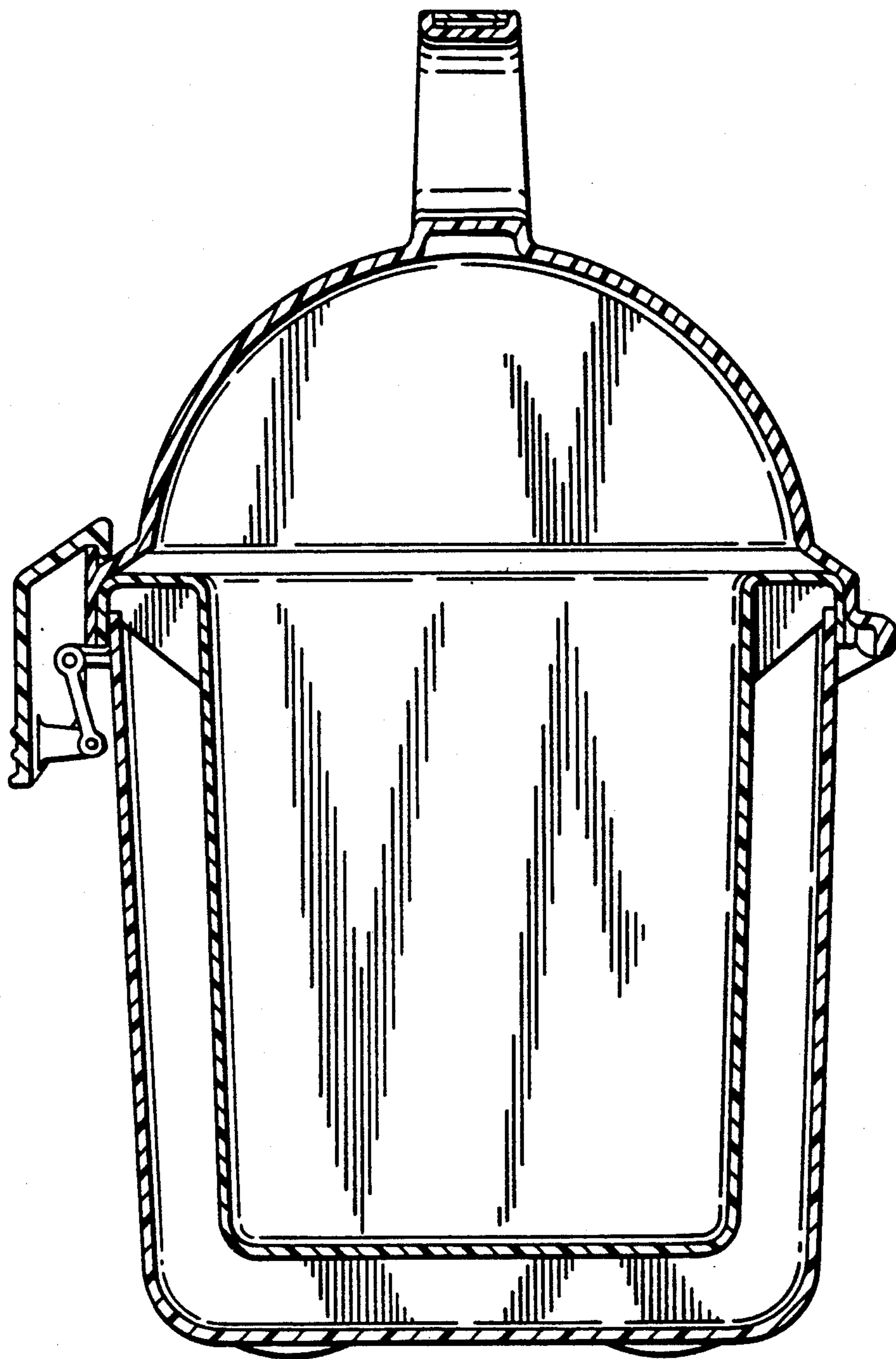


FIG. 7