



US00D335058S

United States Patent [19]

[11] **Patent Number: Des. 335,058**

Williams

[45] **Date of Patent: ** Apr. 27, 1993**

[54] **FISHING ROD HOLDER**

Primary Examiner—Brian N. Vinson
Attorney, Agent, or Firm—Browning, Bushman,
Anderson & Brookhart

[76] **Inventor: James L. Williams, 118 Sorrento,
Sugarland, Tex. 77478**

[57] **CLAIM**

[**] **Term: 14 Years**

The ornamental design for a fishing rod holder, as
shown and described.

[21] **Appl. No.: 676,249**

DESCRIPTION

[22] **Filed: Mar. 28, 1991**

[52] **U.S. Cl. D6/552**

[58] **Field of Search D6/512, 552-553;
D8/373, 380; 211/13, 60.1, 65, 68, 87, 89**

FIG. 1 is a top, front, and right side perspective view of
a fishing rod holder showing my new design, the second
and fifth strap elements being shown detached and the
broken-line disclosure of a portion of a fishing rod being
shown for illustrative purposes only and forming no
part of the claimed design;

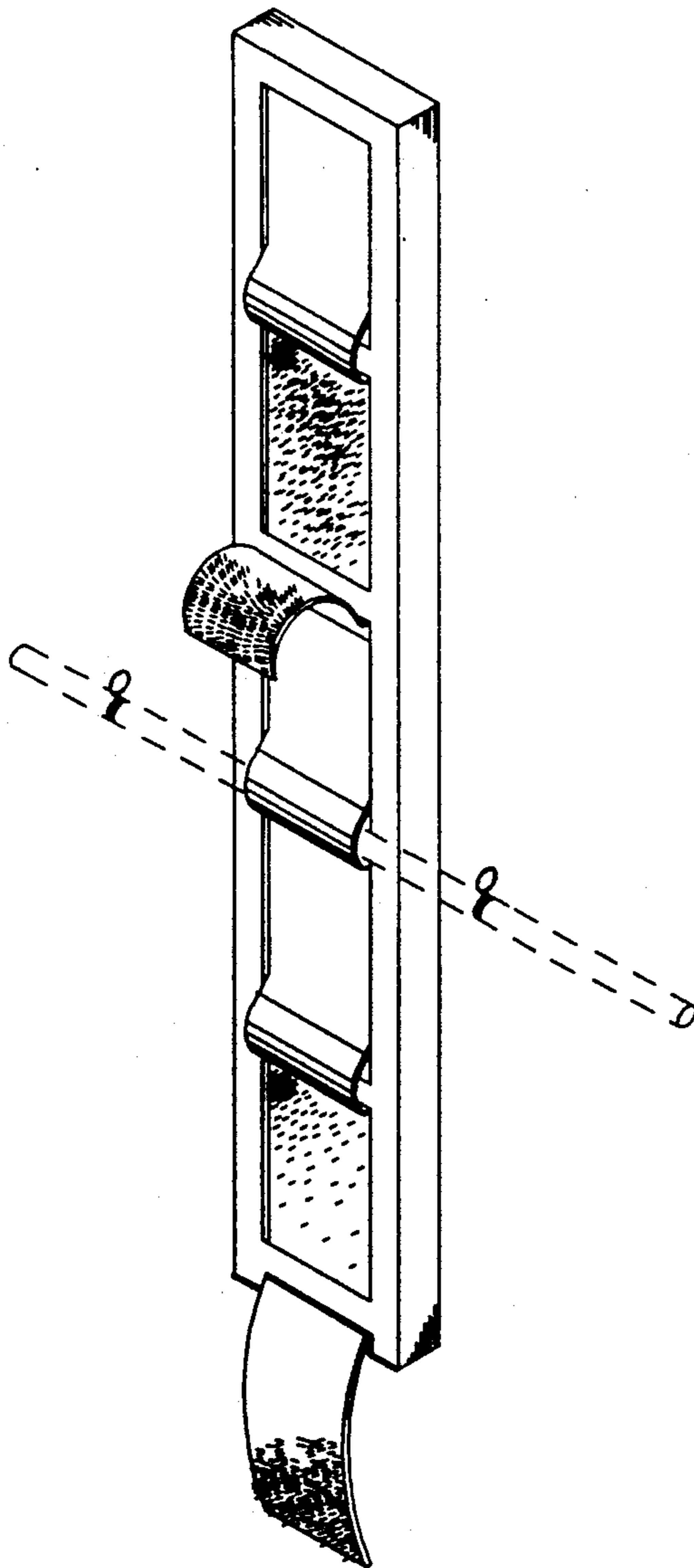
[56] **References Cited**

U.S. PATENT DOCUMENTS

D. 272,785 2/1984 Rumbaugh D6/552
3,731,817 5/1973 Fowlkes et al. 211/60.1
4,943,024 7/1990 Meyer D8/373 X

FIG. 2 is a top, rear, and left side perspective view
thereof; and,

FIG. 3 is an enlarged bottom plan view thereof.



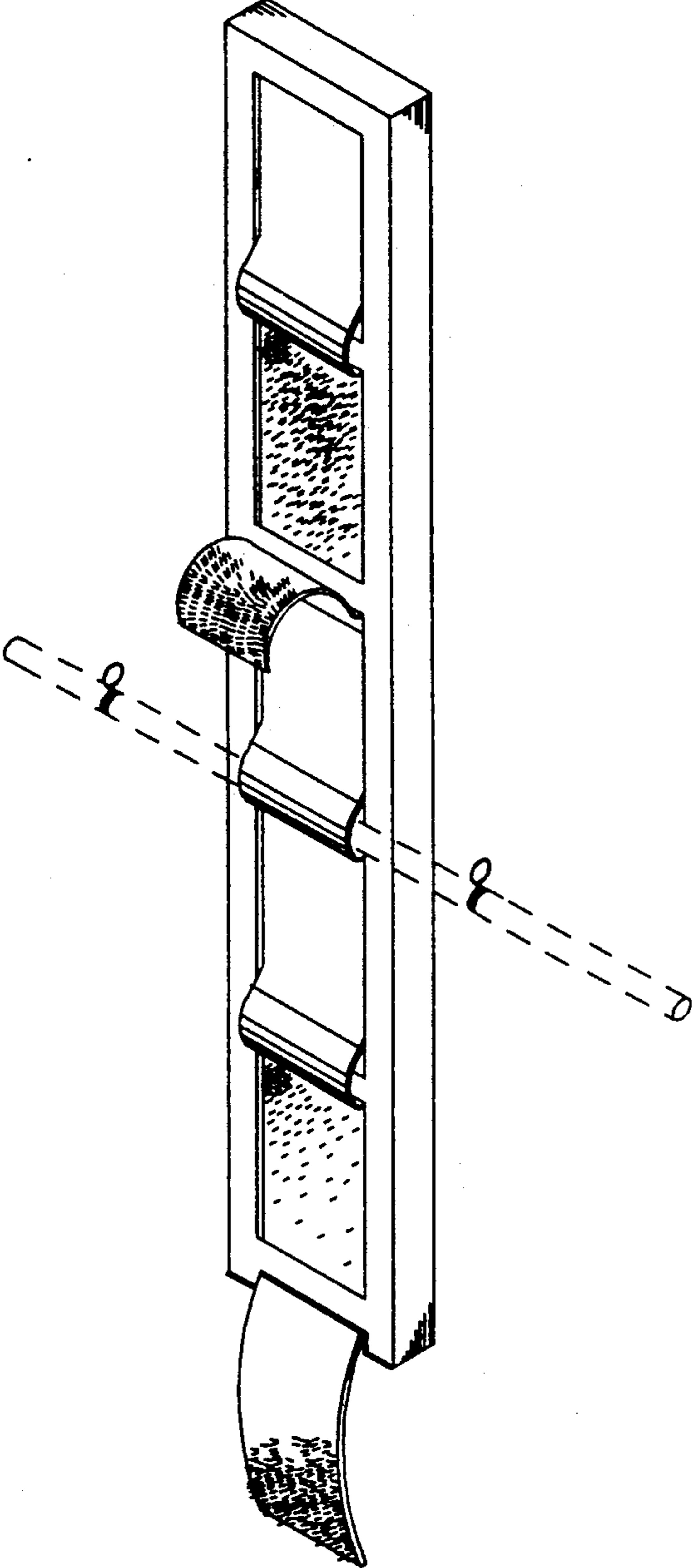


FIG. 1

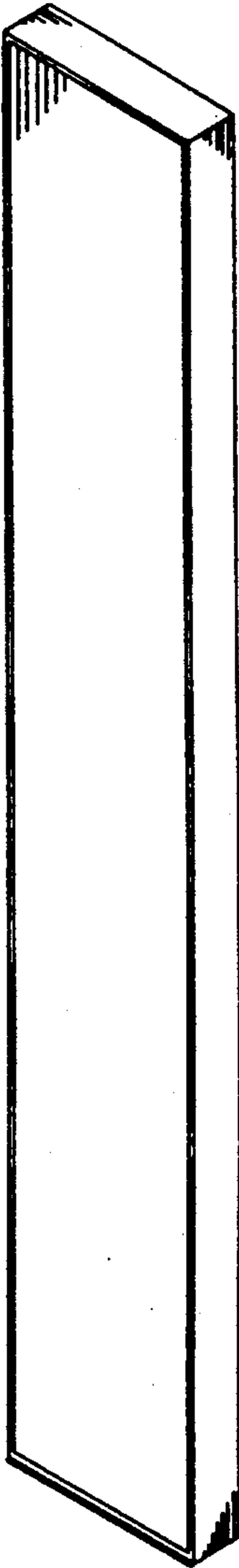


FIG. 2

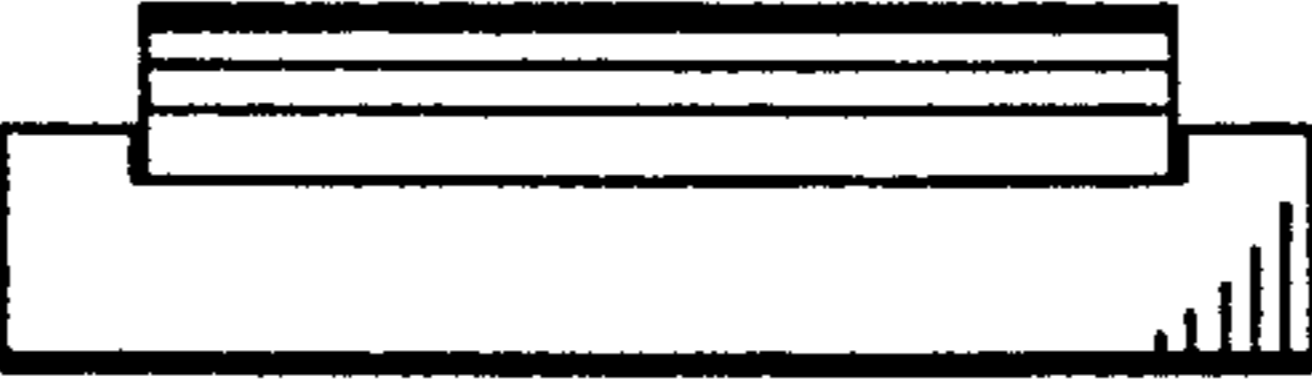


FIG. 3