



US00D335056S

**United States Patent** [19]  
**Ma**

[11] **Patent Number: Des. 335,056**

[45] **Date of Patent: \*\* Apr. 27, 1993**

[54] **TABLE**

[76] **Inventor: Mark Ma, 1415 Martens Dr.,  
Hammond, La. 70401**

[\*\*] **Term: 14 Years**

[21] **Appl. No.: 495,228**

[22] **Filed: Mar. 19, 1990**

[52] **U.S. Cl. .... D6/487; D6/480**

[58] **Field of Search ..... D6/480, 482-489,  
D6/495, 496, 498, 499, 429, 511; 108/50, 33,  
139, 150, 147, 127**

[56] **References Cited**

**U.S. PATENT DOCUMENTS**

D. 177,681	5/1956	Jones	.....	D6/487 X
D. 178,376	7/1956	Jones	.....	D6/487 X
D. 270,410	9/1983	Sogoian	.....	D6/480
D. 280,686	9/1985	Kramer et al.	.....	D6/487 X

**OTHER PUBLICATIONS**

Molla Inc., Brochure #21, May 18, 1951, p. 6, Table at center & left.

*Primary Examiner*—Nelson C. Holtje

*Assistant Examiner*—J. E. Seeger

*Attorney, Agent, or Firm*—Pravel, Hewitt, Kimball & Krieger

[57] **CLAIM**

The ornamental design for a table, as shown and described.

**DESCRIPTION**

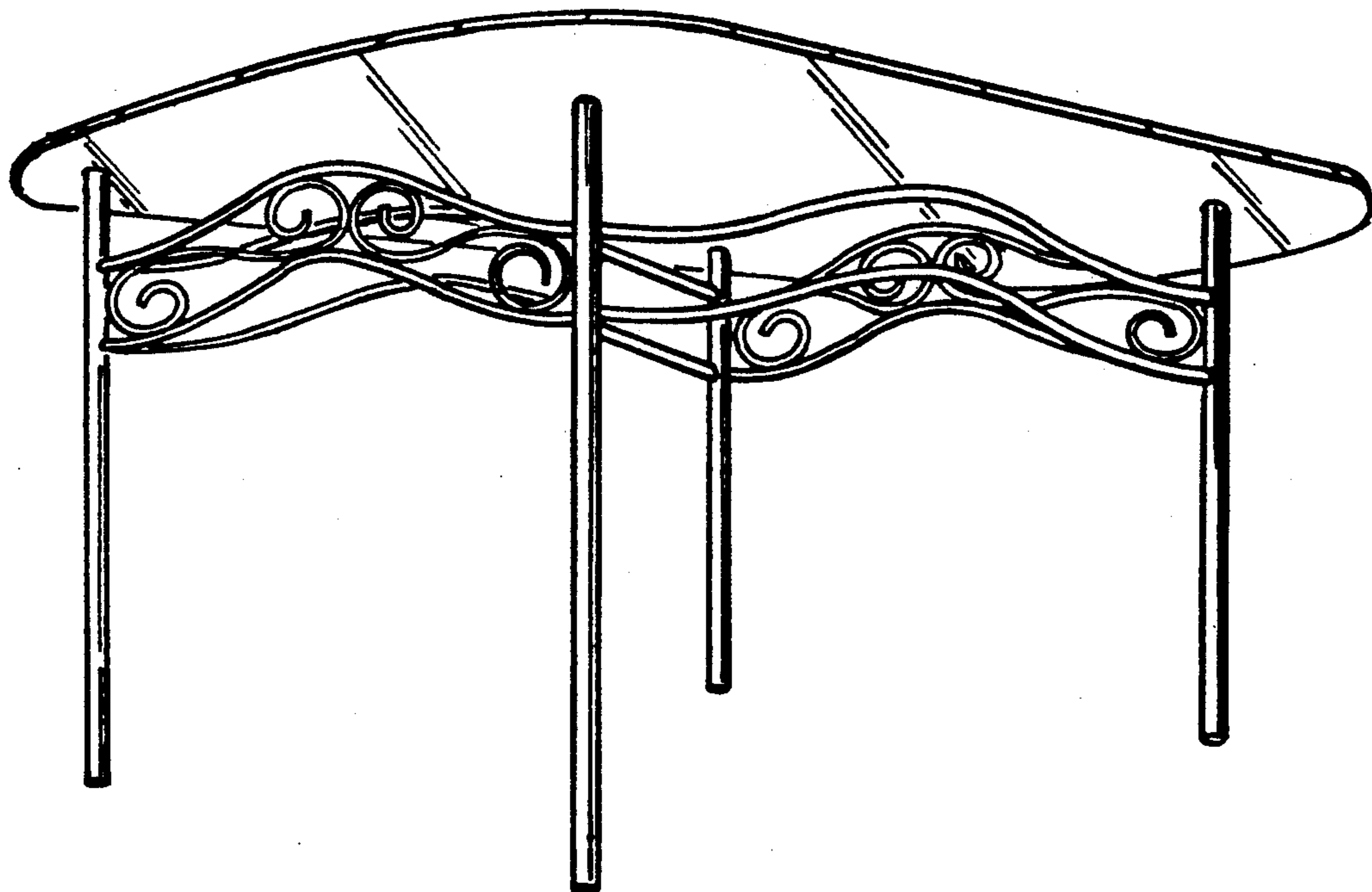
FIG. 1 is a frontal view of the ornamental design of the table;

FIG. 2 is a side view thereof;

FIG. 3 is a bottom view thereof;

FIG. 4 is a top view thereof; and,

FIG. 5 is an overall perspective view thereof.



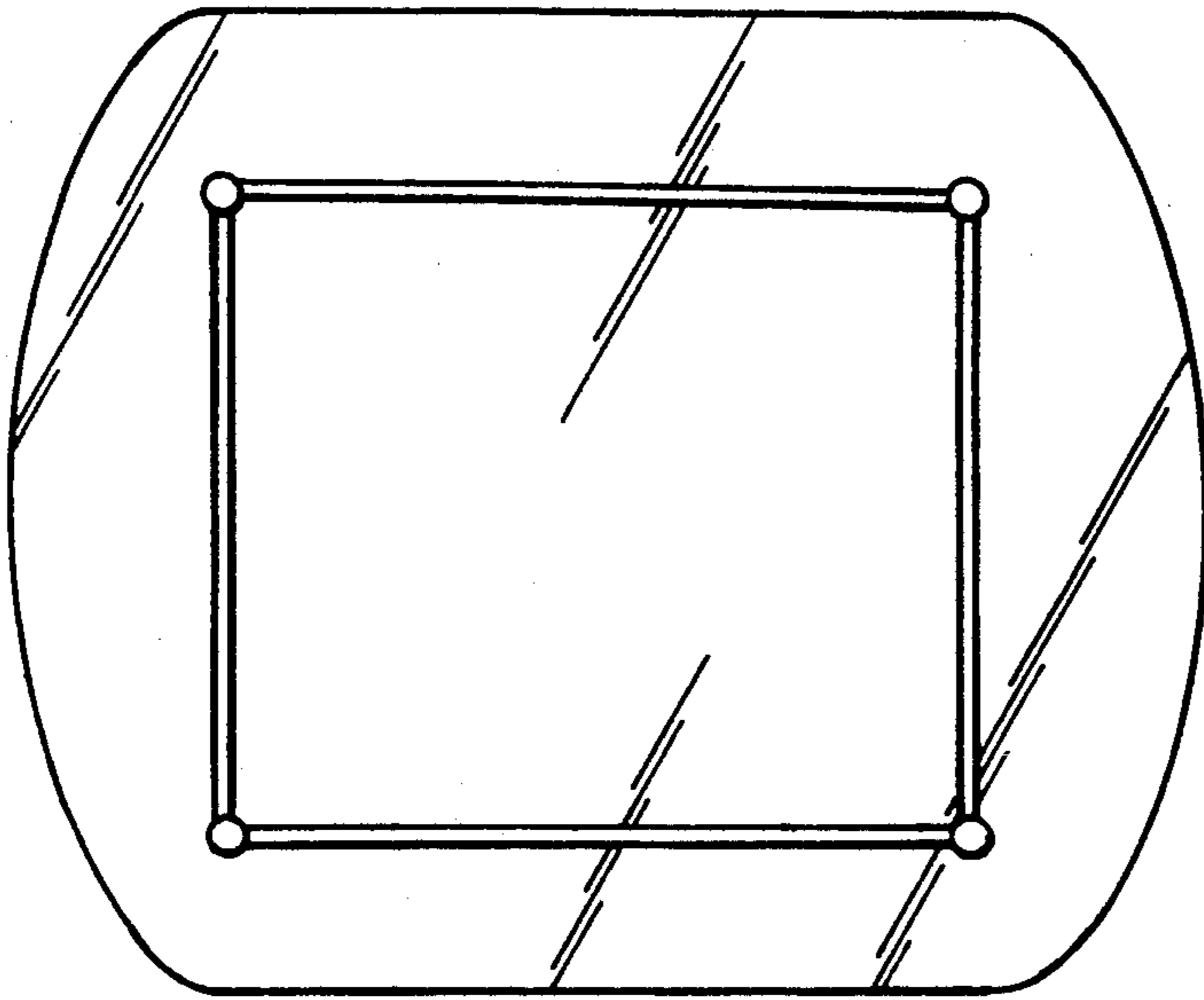


FIG. 3

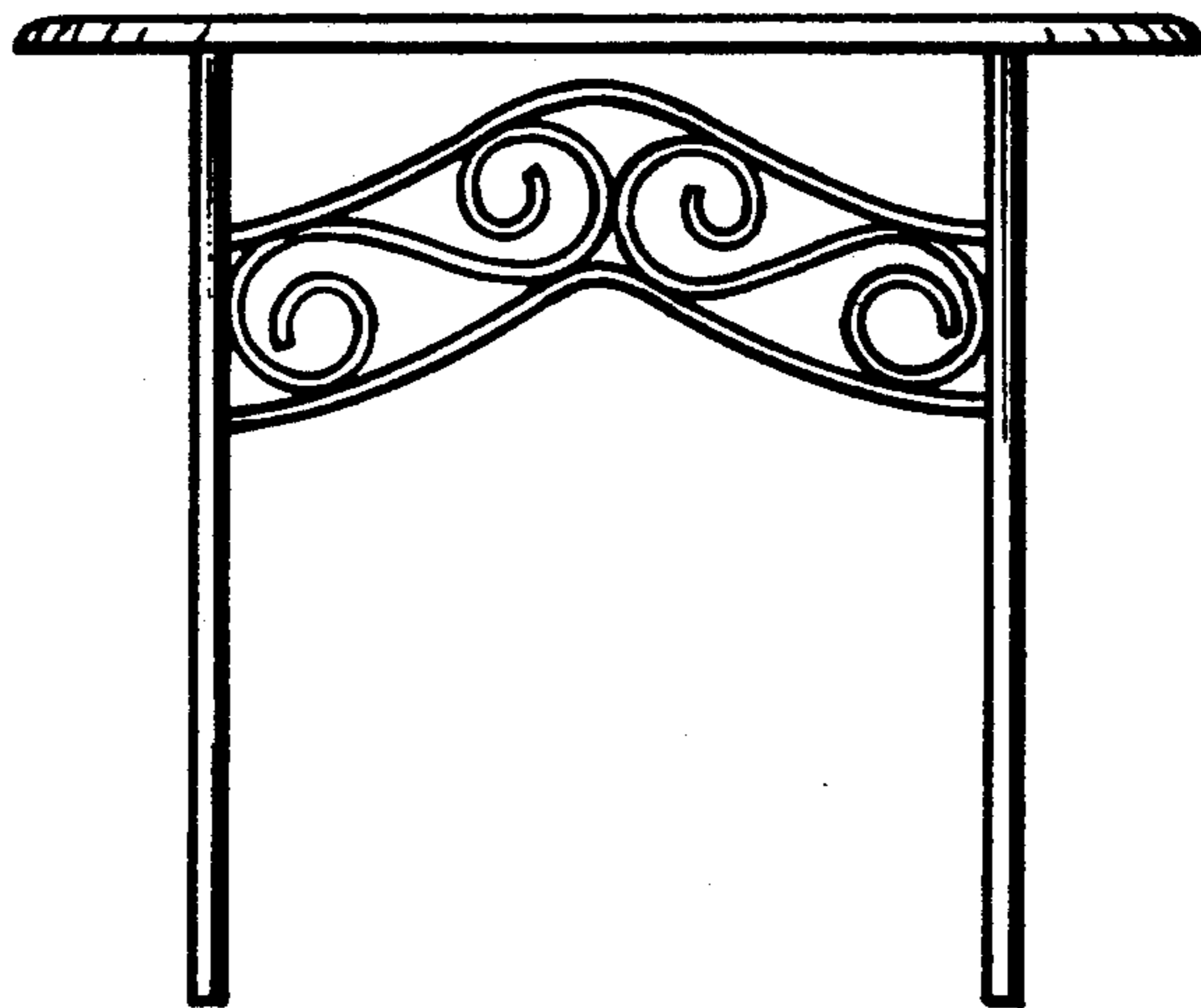


FIG. 1

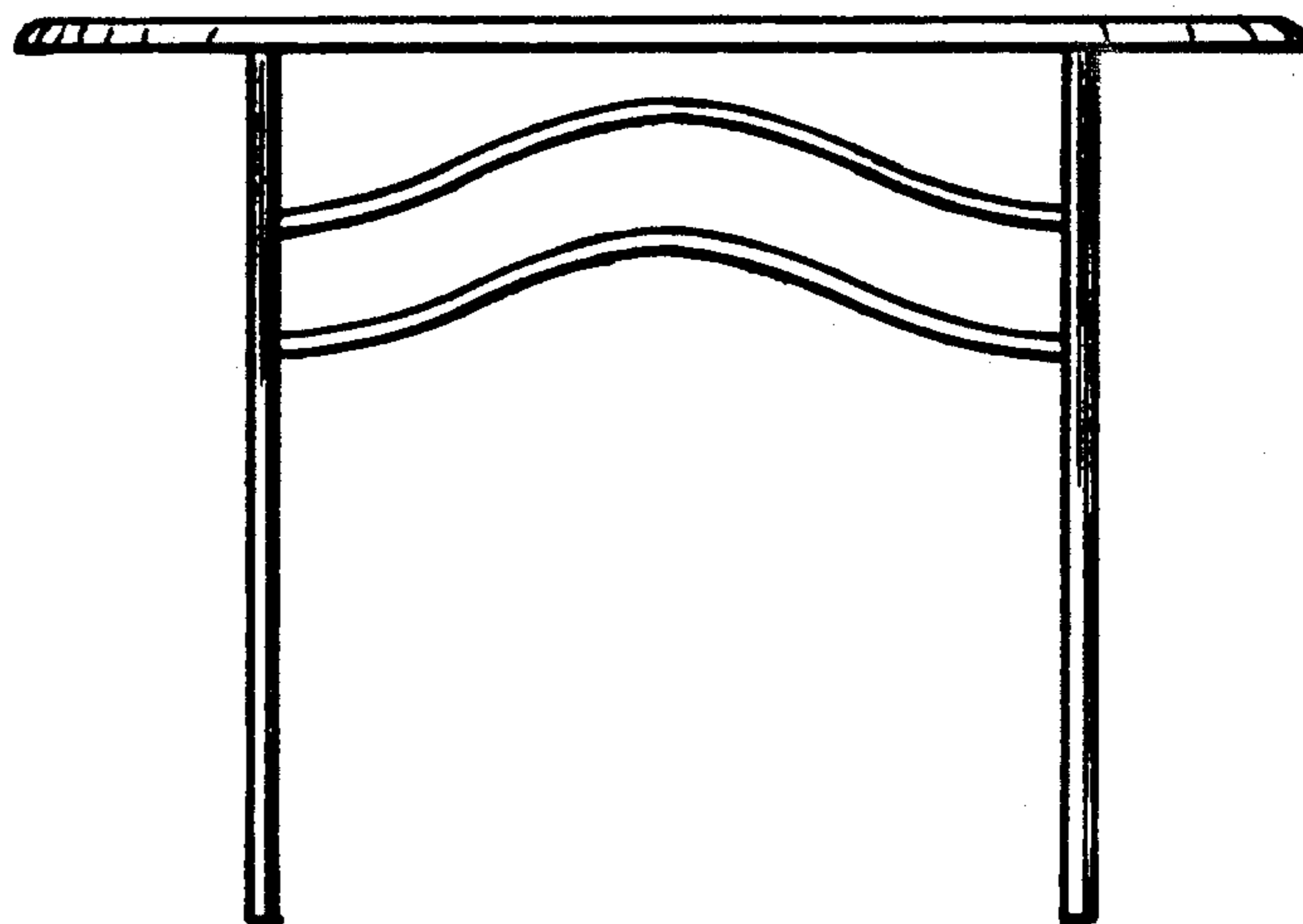


FIG. 2

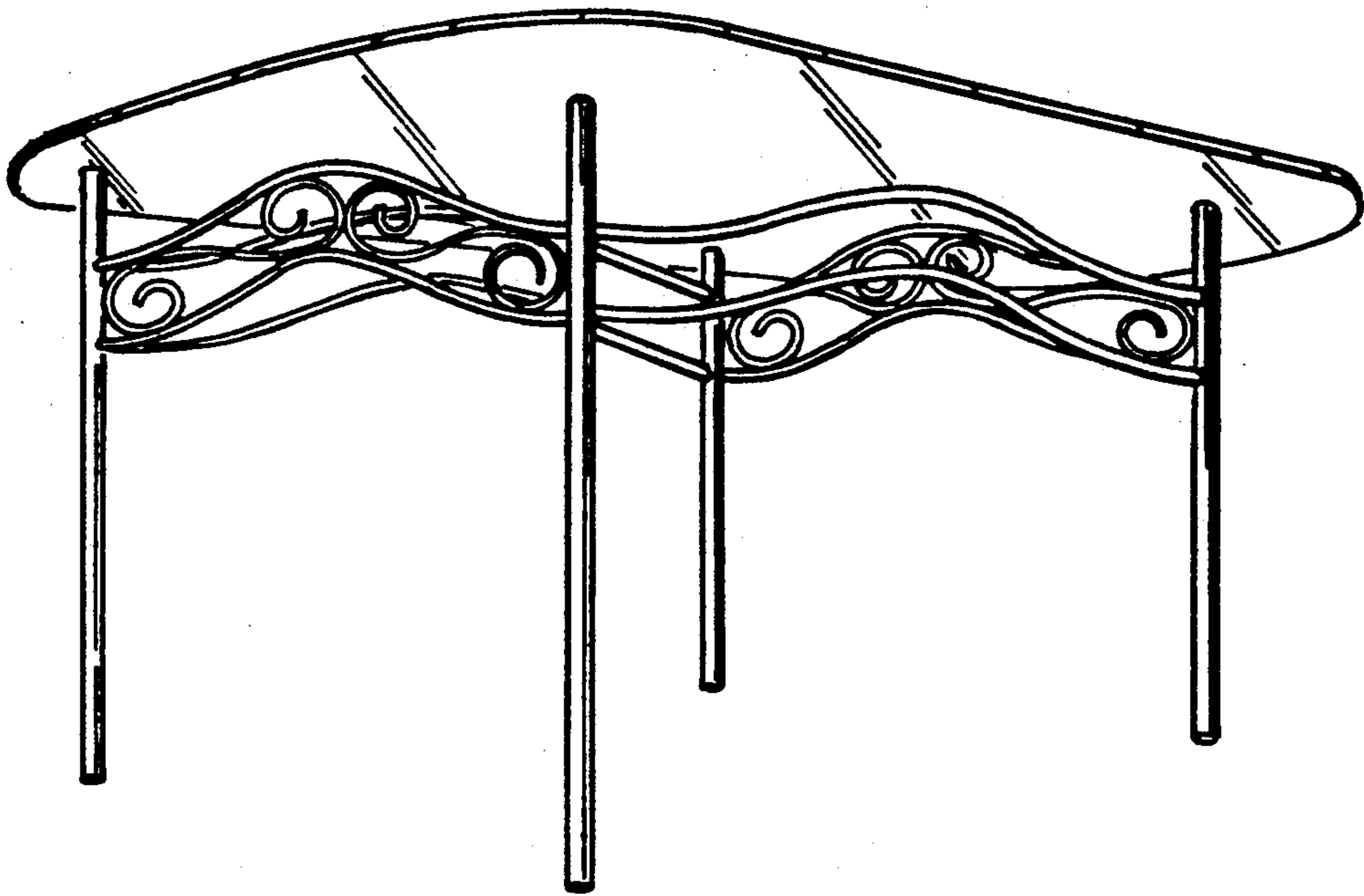


FIG. 5

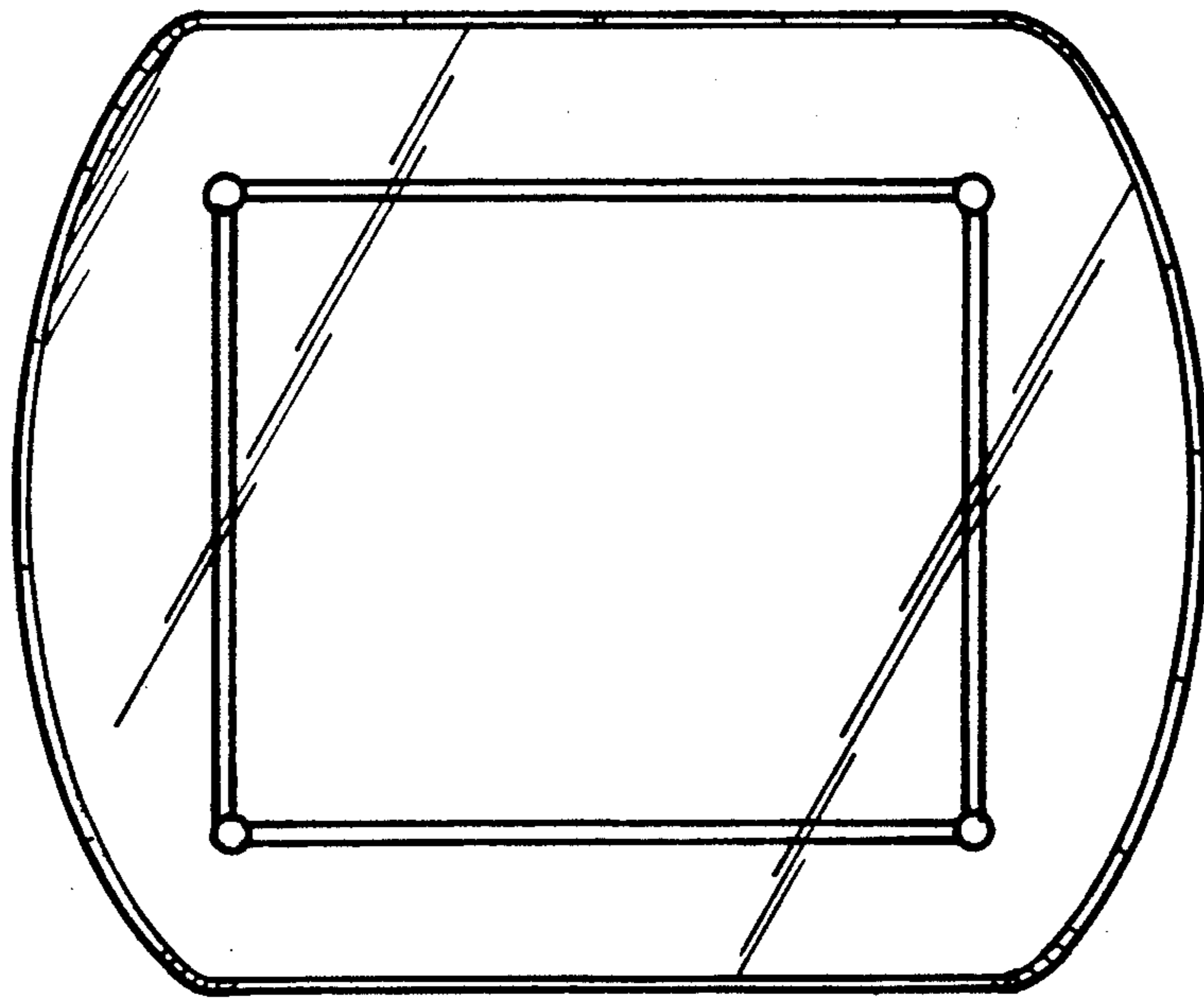


FIG. 4