



US00D335052S

United States Patent [19]

[11] Patent Number: **Des. 335,052**

Barbuto et al.

[45] Date of Patent: **** Apr. 27, 1993**

[54] **MERCHANDISE DISPLAY STAND**

[75] Inventors: **Joanna H. Barbuto, Maspeth; Elizabeth Kane, New York, both of N.Y.**

[73] Assignee: **Liz Claiborne, Inc., New York, N.Y.**

[**] Term: **14 Years**

[21] Appl. No.: **740,188**

[22] Filed: **Aug. 5, 1991**

[52] U.S. Cl. **D6/477; D6/414**

[58] Field of Search **D6/396, 449, 410-415, D6/455, 460, 461, 473, 474, 477-479, 480-484, 462, 463, 464, 465; 211/135, 186, 187, 50; 108/59, 91, 108, 111, 181, 182, 189, 13**

[56] **References Cited**

U.S. PATENT DOCUMENTS

- D. 117,728 11/1939 Erickson D6/474 X
- D. 119,853 4/1940 Gardner D6/474
- D. 180,179 4/1957 Elliot D6/463

- D. 305,710 1/1990 Ng et al. D6/474
- D. 321,615 11/1991 Lavine et al. D6/479
- D. 326,965 6/1992 Allen D6/414
- D. 327,788 7/1992 Allen D6/410 X
- 4,035,941 7/1977 Deffner D6/411 X

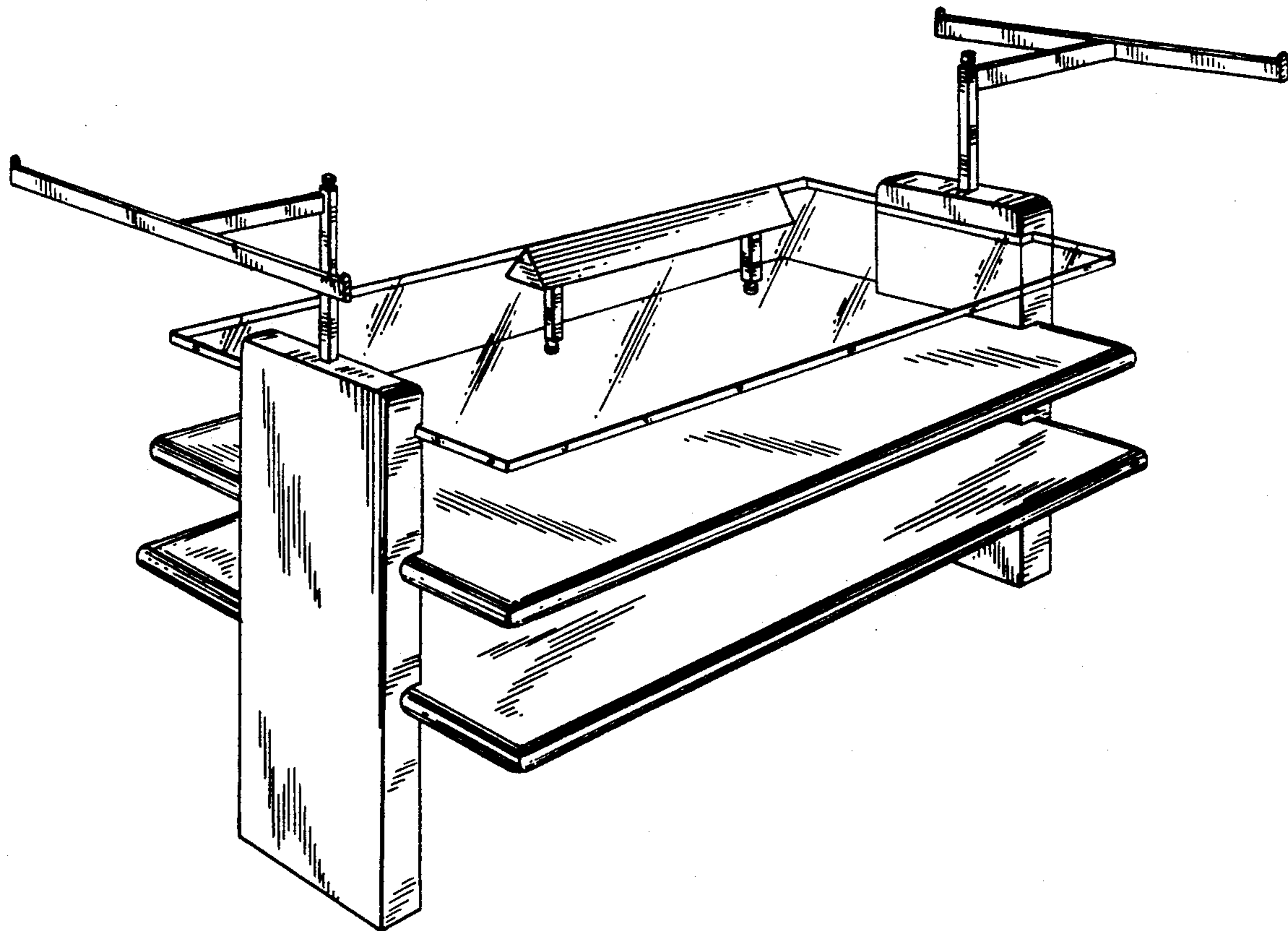
Primary Examiner—Alan P. Douglas
Assistant Examiner—Jeffrey Asch
Attorney, Agent, or Firm—Kirschstein, Ottinger, Israel & Schiffmiller

[57] **CLAIM**

The ornamental design for a merchandise display stand, as shown and described.

DESCRIPTION

FIG. 1 is a front, end and top, perspective view of a merchandise display stand showing our new design; FIG. 2 is a top plan view thereof; FIG. 3 is a bottom plan view thereof; FIG. 4 is a front elevational view thereof, the rear elevational view being a mirror image; and, FIG. 5 is an end elevational view thereof, the opposite end elevational view being a mirror image.



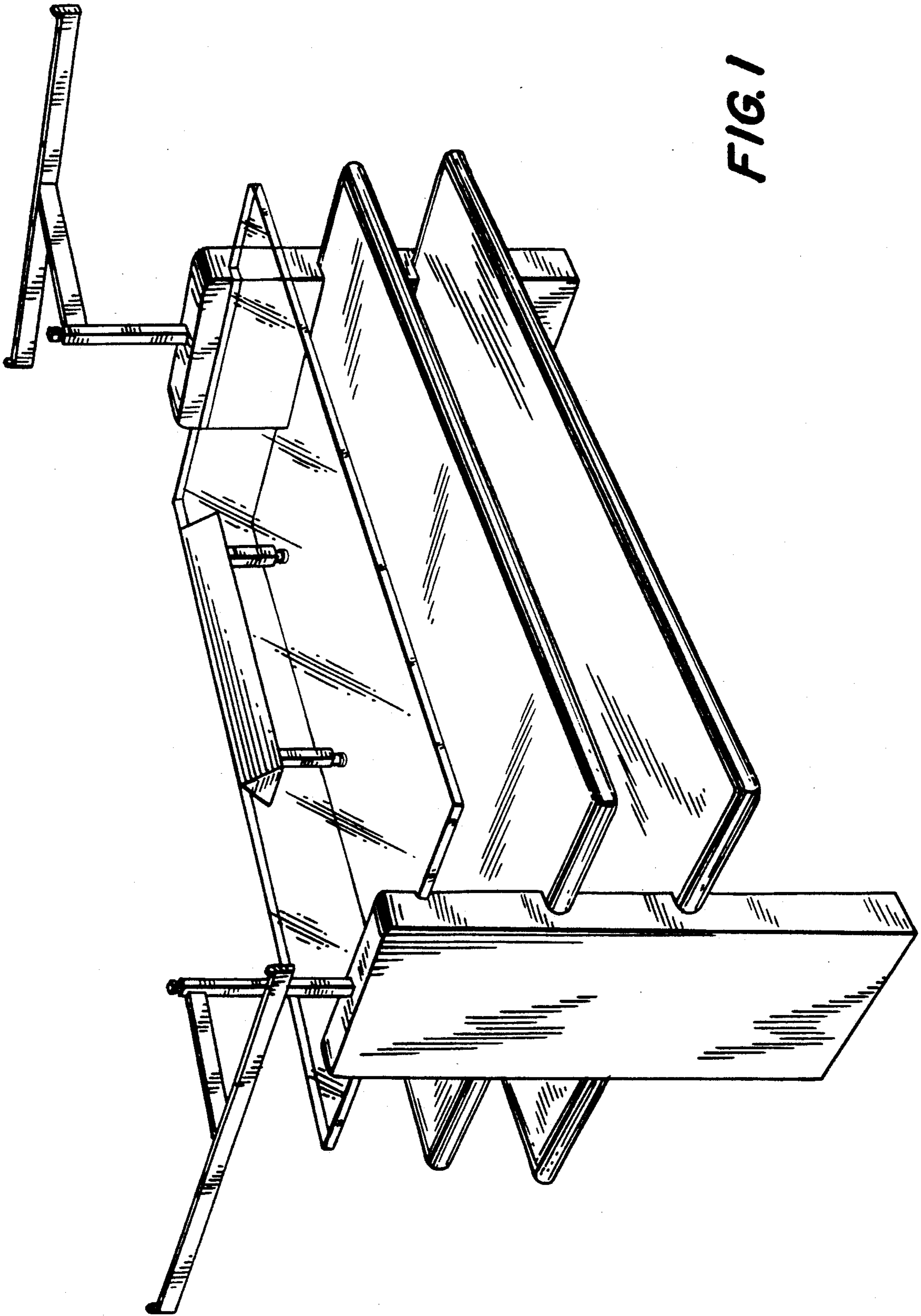


FIG. 1

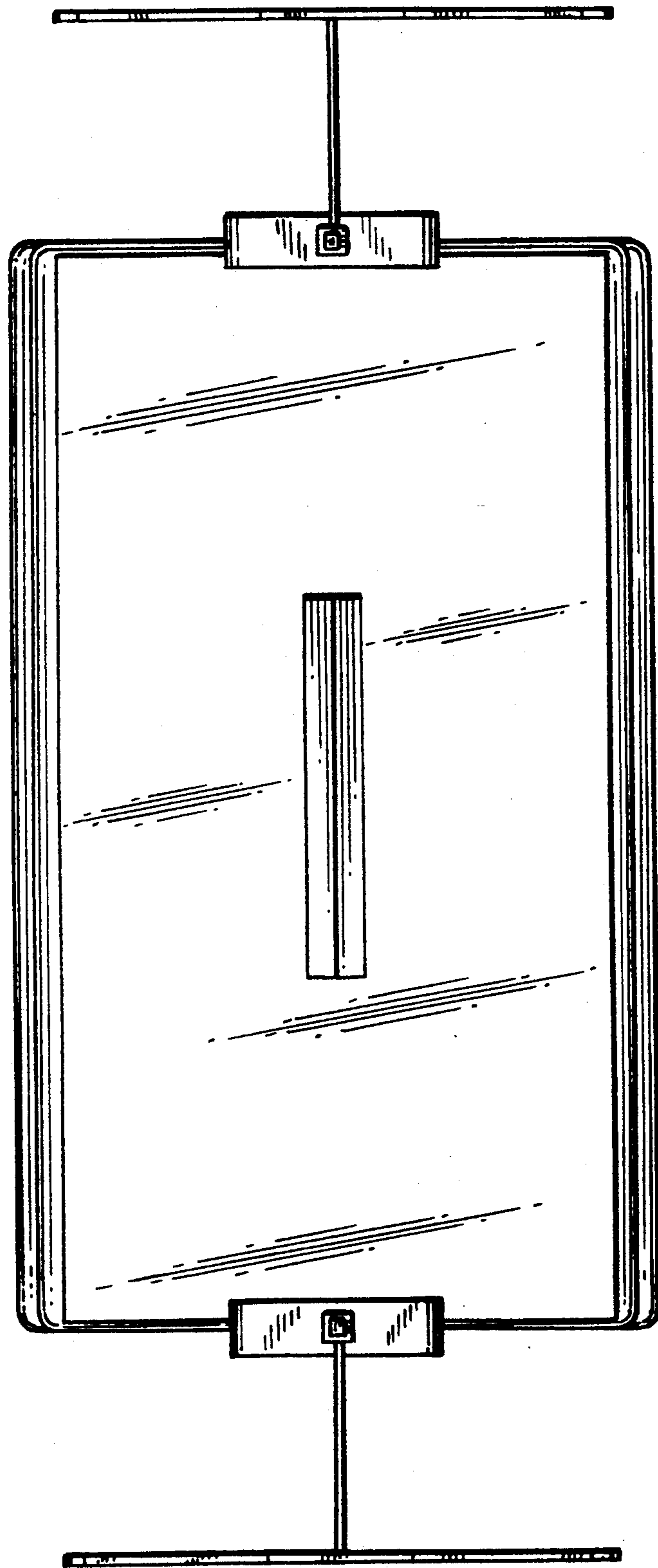


FIG. 2

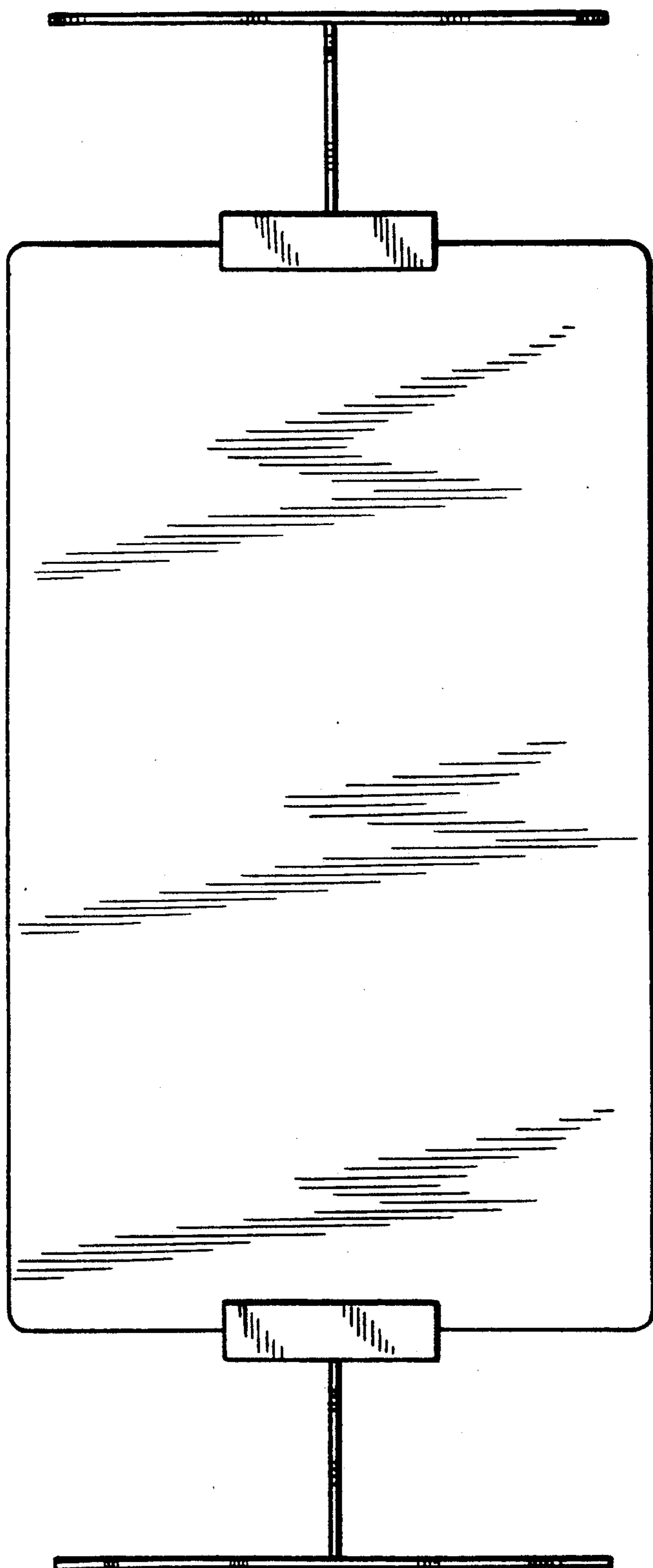
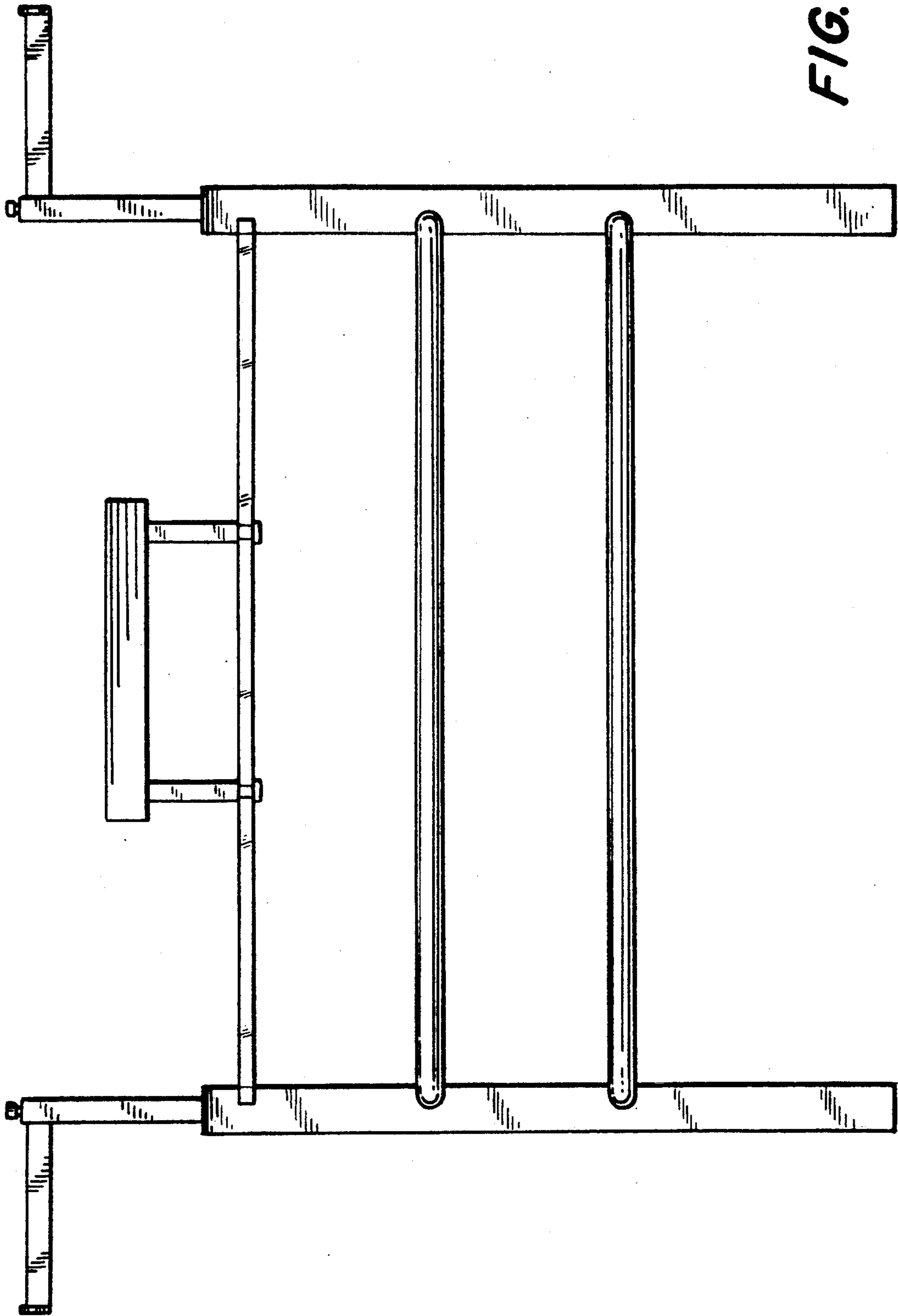


FIG. 3

FIG. 4



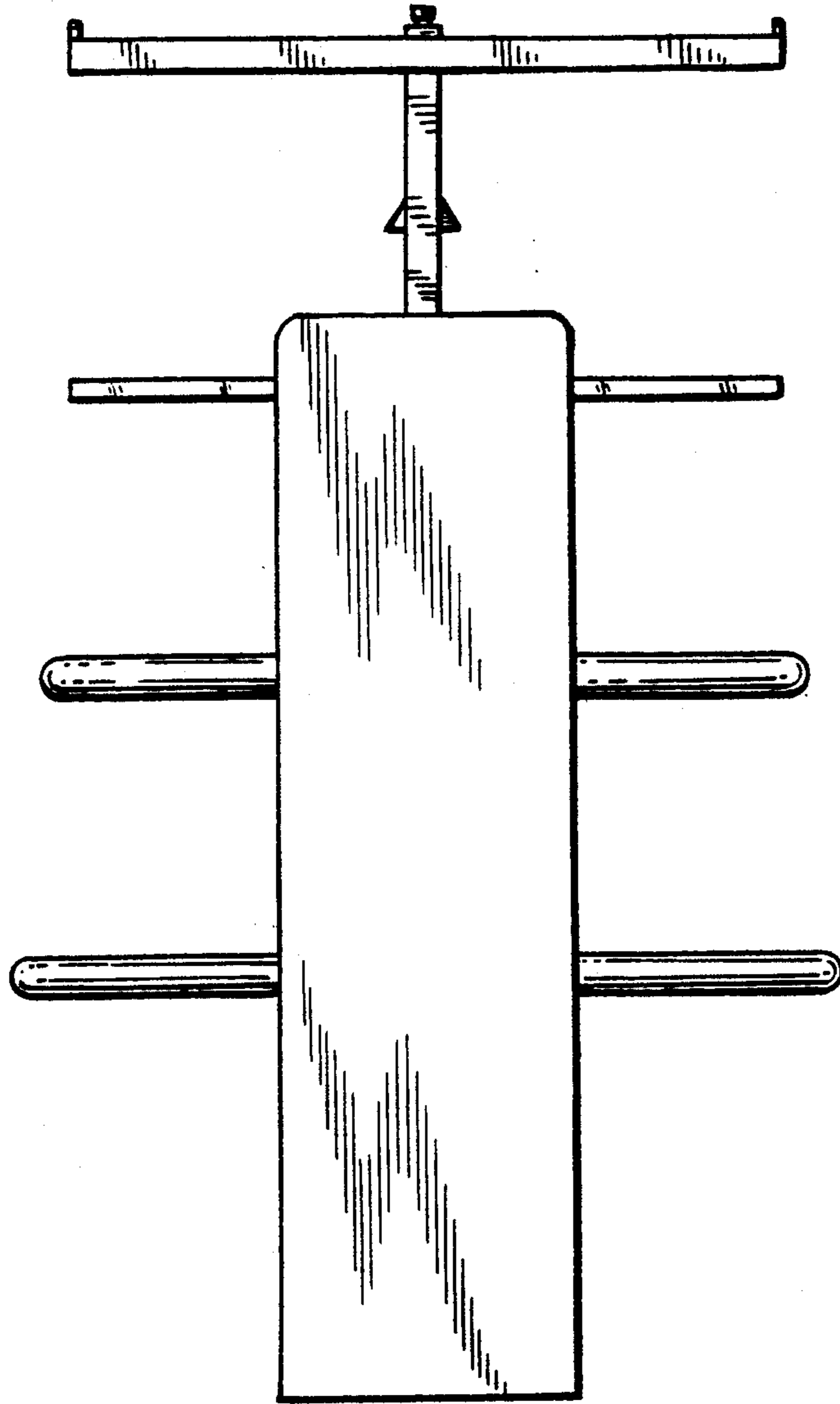


FIG. 5