



US00D335051S

# United States Patent [19]

[11] Patent Number: **Des. 335,051**

Ossip

[45] Date of Patent: **\*\* Apr. 27, 1993**

[54] **TV AND VCR STAND**

D. 278,294 4/1985 Dali ..... D6/477  
D. 326,971 6/1992 Leis et al. .... D6/484 X

[76] Inventor: **Kenneth B. Ossip**, 141-05 68th Dr.,  
Kew Gardens Hills, N.Y. 11367-1635

**OTHER PUBLICATIONS**

[\*\*] Term: **14 Years**

Interiors, Nov. 1960, p. 246, Carts #X23-11 & X23-09.  
Ikea, 1988 catalog, p. 120, Klinga Serving table.

[21] Appl. No.: **653,805**

*Primary Examiner*—Alan P. Douglas

[22] Filed: **Feb. 11, 1991**

*Assistant Examiner*—Jeffrey Asch

[52] U.S. Cl. .... **D6/477; D6/479;**  
**D6/484; D6/487; D34/21**

[57] **CLAIM**

[58] Field of Search ..... **D6/396, 449, 421, 474,**  
**D6/464, 465, 476, 480, 477-479, 484, 487;**  
**211/13; 108/111, 108, 59; 248/917-919;**  
**D34/14, 17, 21**

The ornamental design for a TV and VCR stand, as shown and described.

**DESCRIPTION**

[56] **References Cited**

FIG. 1 is a perspective view of a TV and VCR stand showing my new design;

**U.S. PATENT DOCUMENTS**

FIG. 2 is a top plan view thereof;

D. 52,778 12/1918 Bosworth ..... D6/479 X  
D. 134,978 2/1943 Waltman ..... D6/479 X  
D. 258,177 2/1981 Baker ..... D6/476  
D. 259,529 6/1981 Kola ..... D6/479 X

FIG. 3 is a front elevational view, the rear being a mirror image thereof; and,

FIG. 4 is a right side elevational view, the left side being a mirror image thereof.

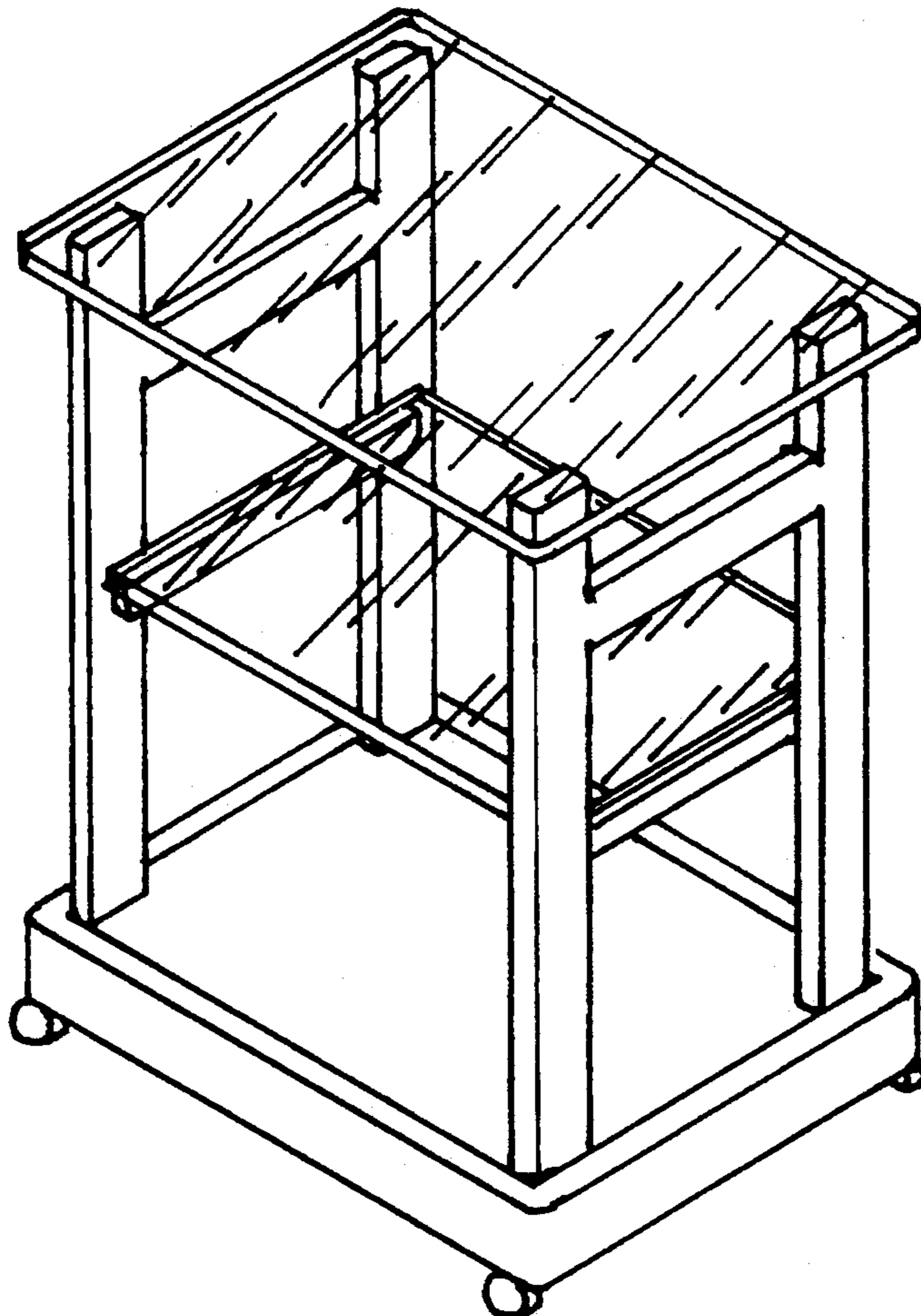


FIG. 1

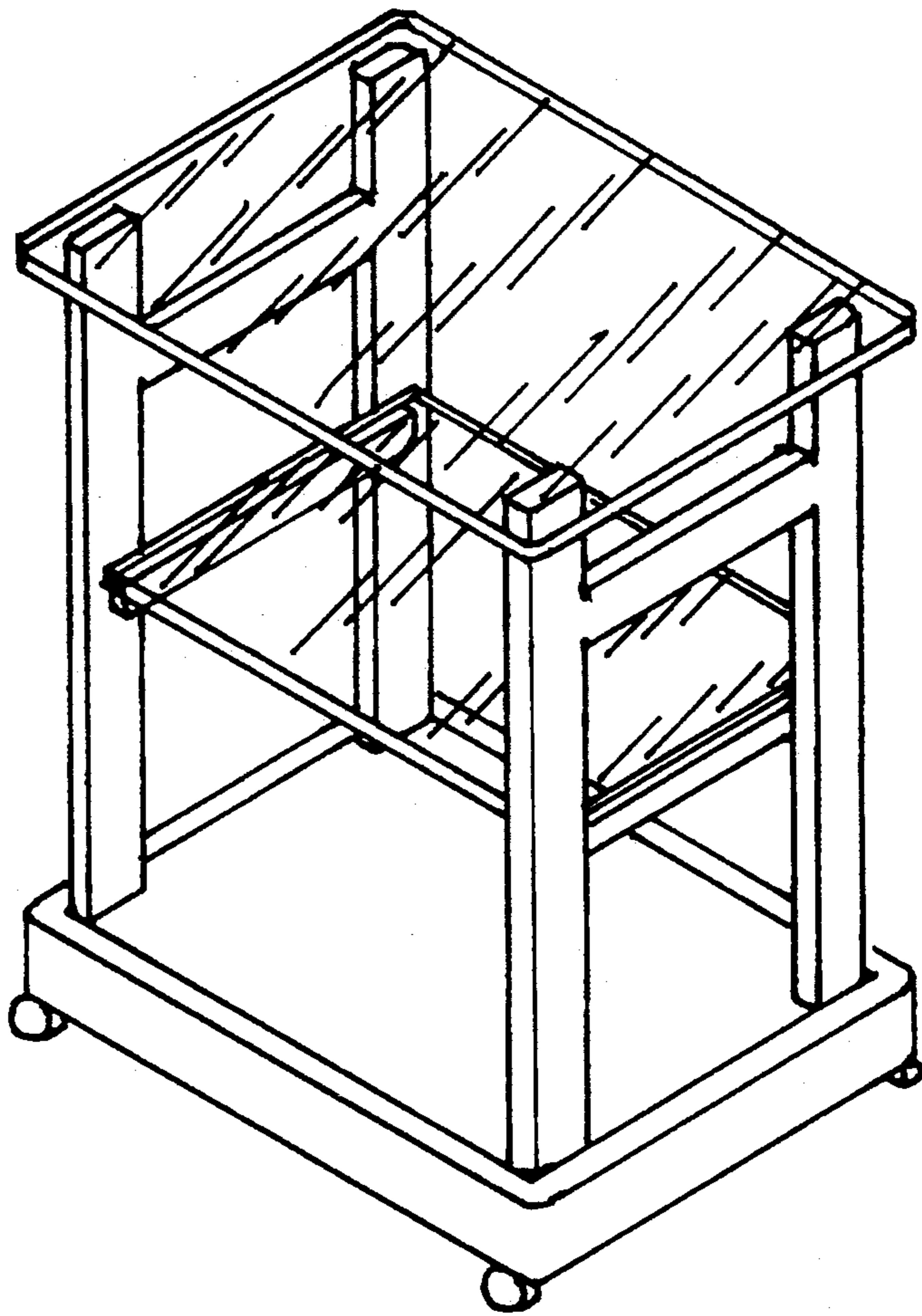


FIG. 2

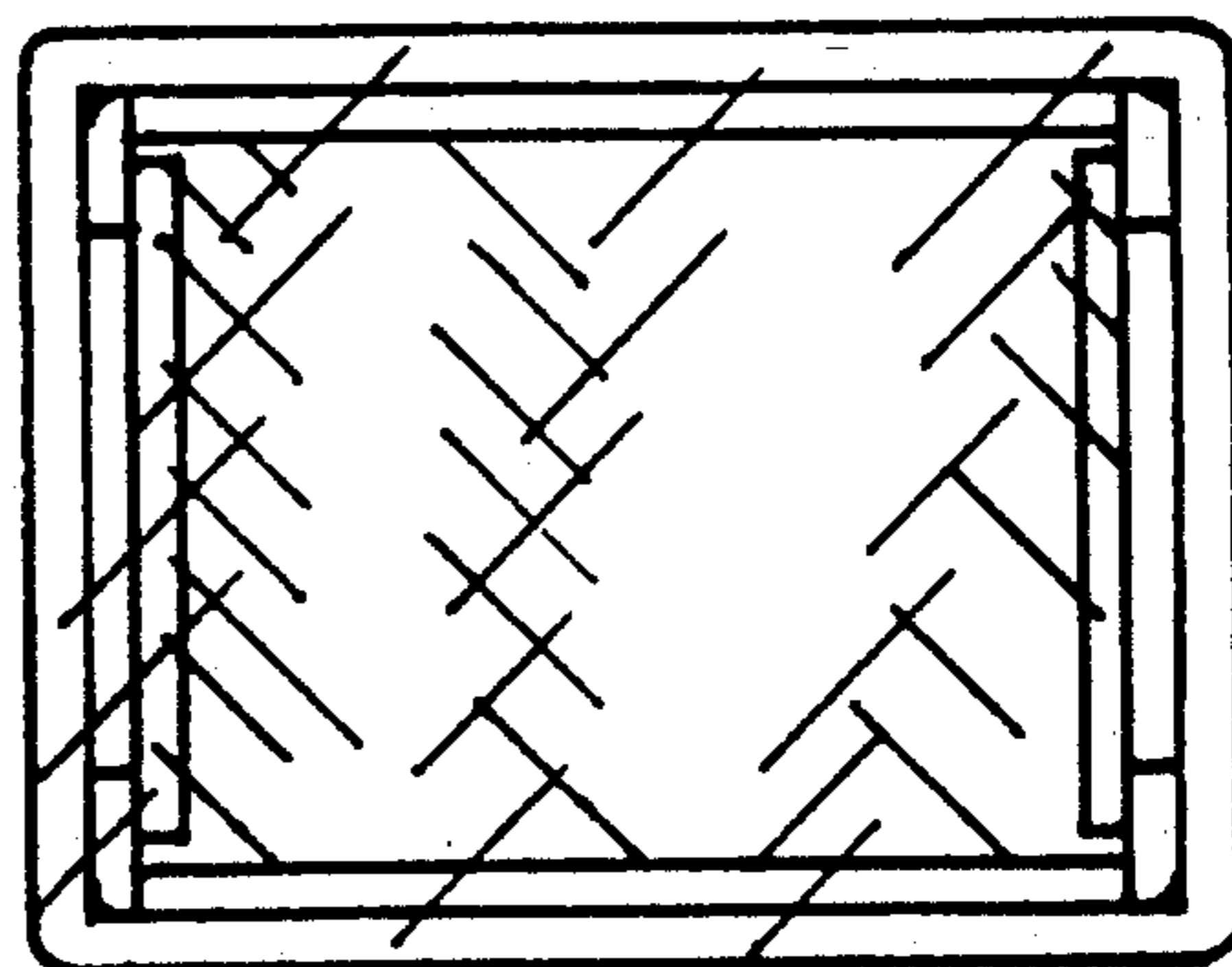


FIG. 3

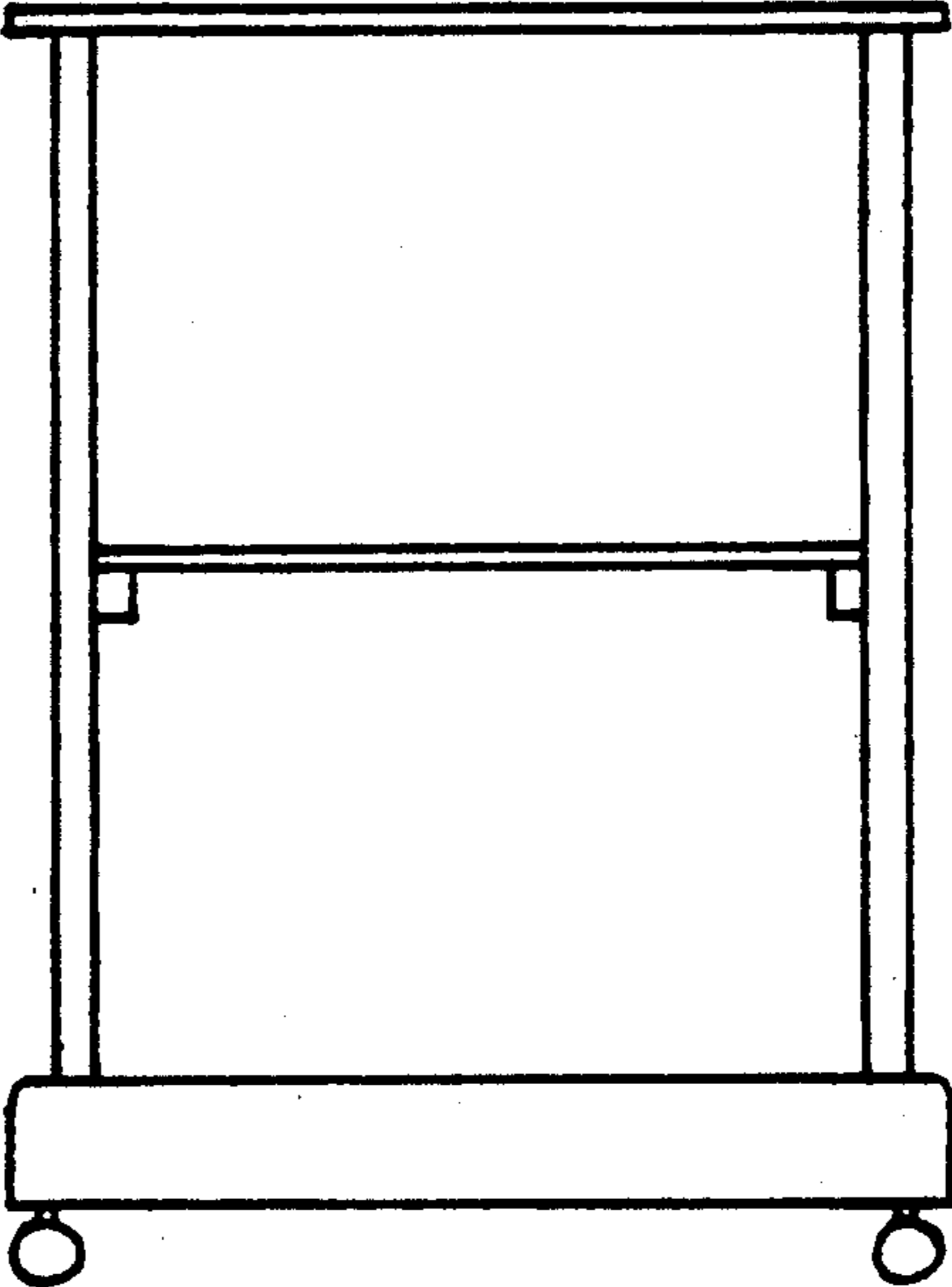


FIG. 4

