



US00D335046S

# United States Patent [19]

[11] Patent Number: **Des. 335,046**

Diaz

[45] Date of Patent: **\*\* Apr. 27, 1993**

- [54] **SUNSHADE FOR A CHILD'S PLAYPEN**
- [76] Inventor: **Anita R. Diaz**, 6207 Jasper St., Alta Loma, Calif. 91701
- [\*\*] Term: **14 Years**
- [21] Appl. No.: **538,486**
- [22] Filed: **Jun. 15, 1990**
- [52] U.S. Cl. .... **D6/389; D6/333; D25/57**
- [58] Field of Search ..... **D25/57, 29; 160/24, 160/19, 21, 22, 53, 163, 290.1, 368.1; 297/184; 135/87-88; D6/331, 333, 389, 390**

- 4,112,957 9/1978 Biven ..... 135/87
- 4,293,162 10/1981 Pap ..... 297/184
- 4,630,545 12/1986 Michel ..... 297/184
- 4,915,120 4/1990 Ziolkowski ..... 297/184
- 4,978,166 12/1990 James ..... 297/184

*Primary Examiner*—A. Hugo Word  
*Assistant Examiner*—Doris Clark  
*Attorney, Agent, or Firm*—Leon Gilden

[56] **References Cited**  
**U.S. PATENT DOCUMENTS**

- D. 248,518 7/1978 Huff ..... D6/333
- D. 288,757 3/1987 Hoeckel ..... D6/389
- D. 289,473 4/1987 Myers ..... D6/389
- D. 312,537 12/1990 Holdredge et al. .... D6/389
- D. 312,931 12/1990 Westfall et al. .... D6/333
- 2,556,210 6/1951 Obenchain ..... 160/19
- 3,007,735 11/1961 Cohn ..... 297/184
- 4,063,318 12/1977 Nicholson ..... 297/184

[57] **CLAIM**  
 The ornamental design for a sunshade for a child's playpen, as shown and described.

### DESCRIPTION

FIG. 1 is a front elevational view of the sunshade for a child's playpen showing my new design;  
 FIG. 2 is a rear elevational view thereof;  
 FIG. 3 is a left side elevational view thereof;  
 FIG. 4 is a right side elevational view thereof;  
 FIG. 5 is a top plan view thereof;  
 FIG. 6 is a bottom plan view thereof; and,  
 FIG. 7 is a perspective view thereof, the broken lines showing a playpen are for illustrative purposes only and form no part of the claimed design.

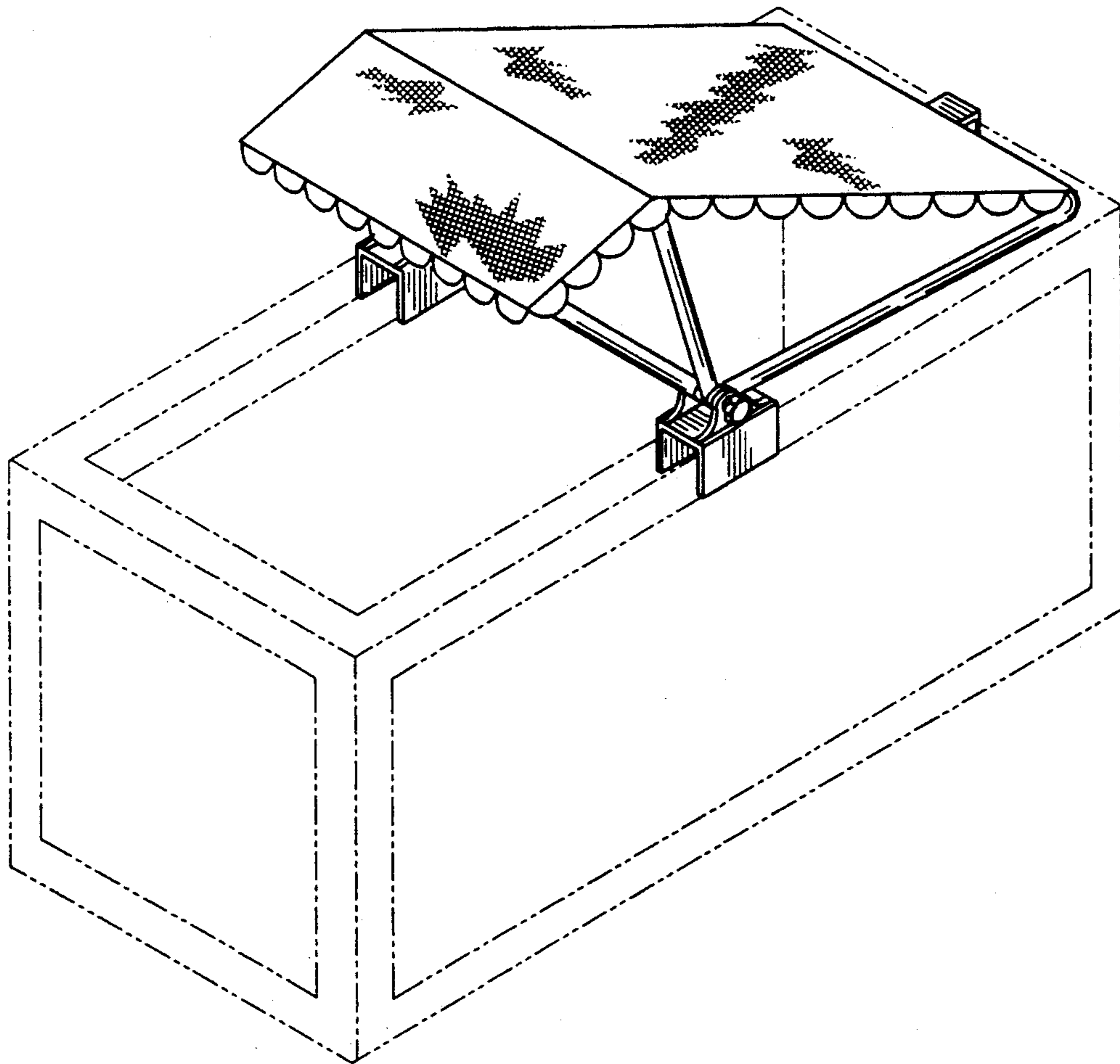


FIG. 1

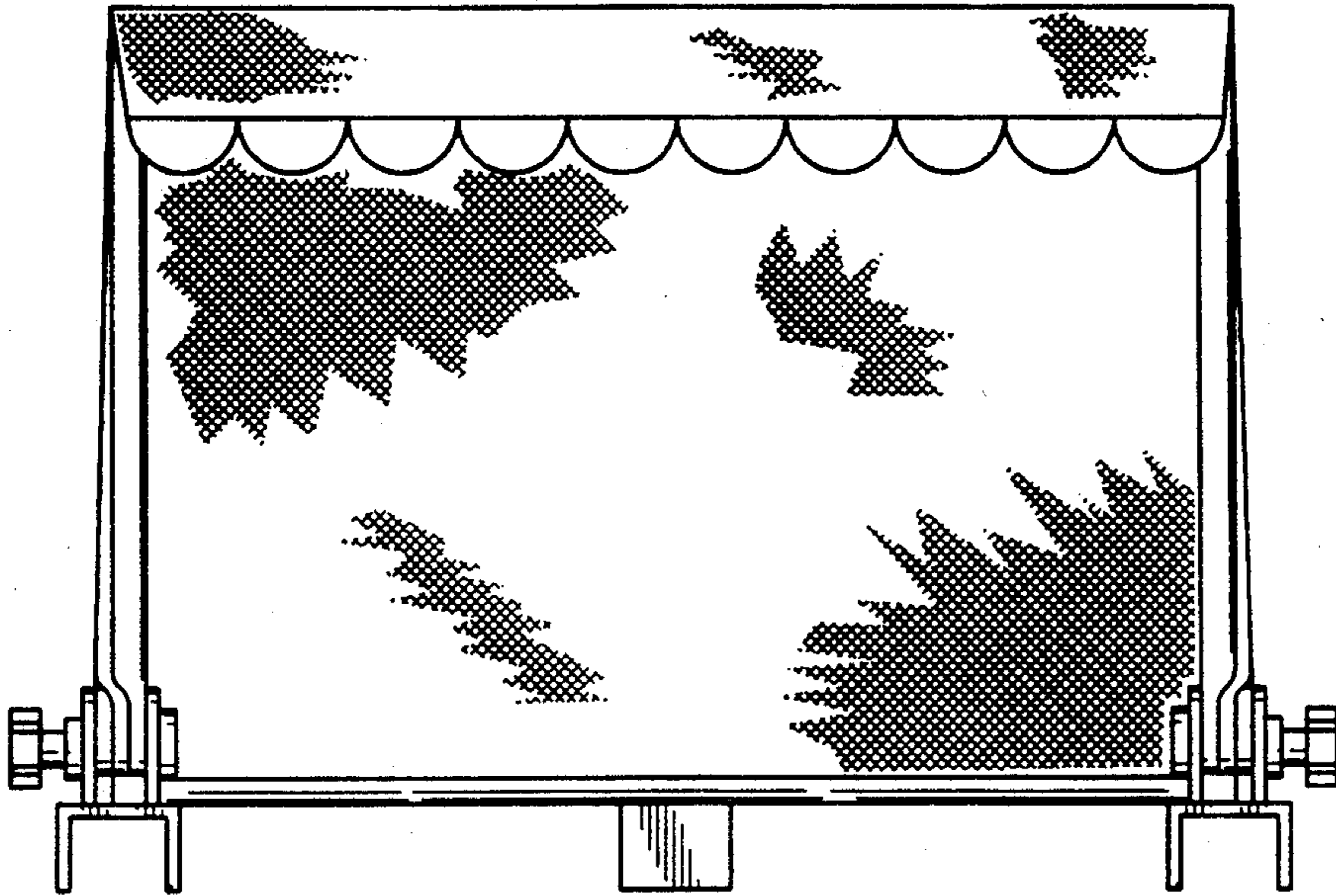


FIG. 2

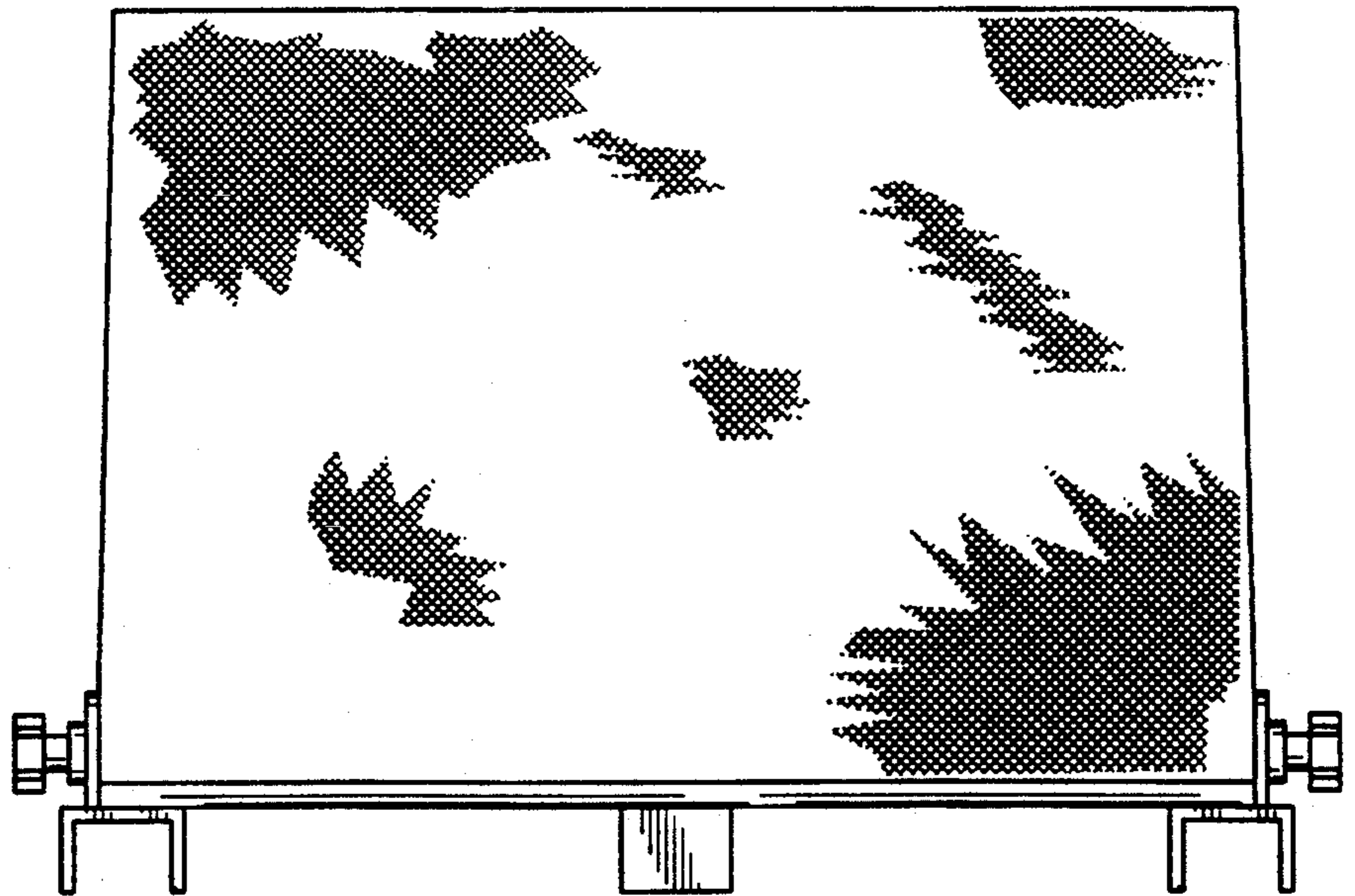


FIG. 3

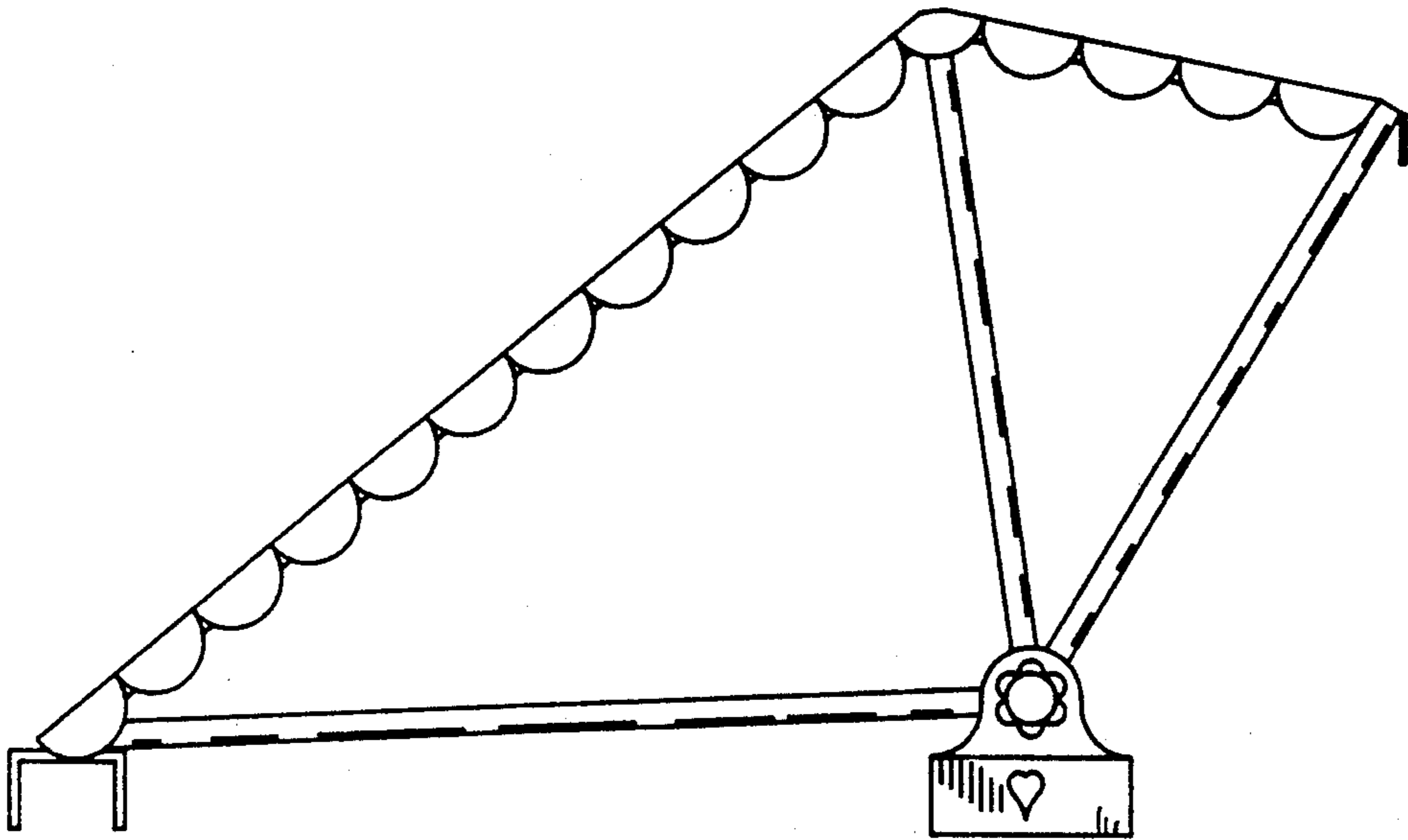


FIG. 4

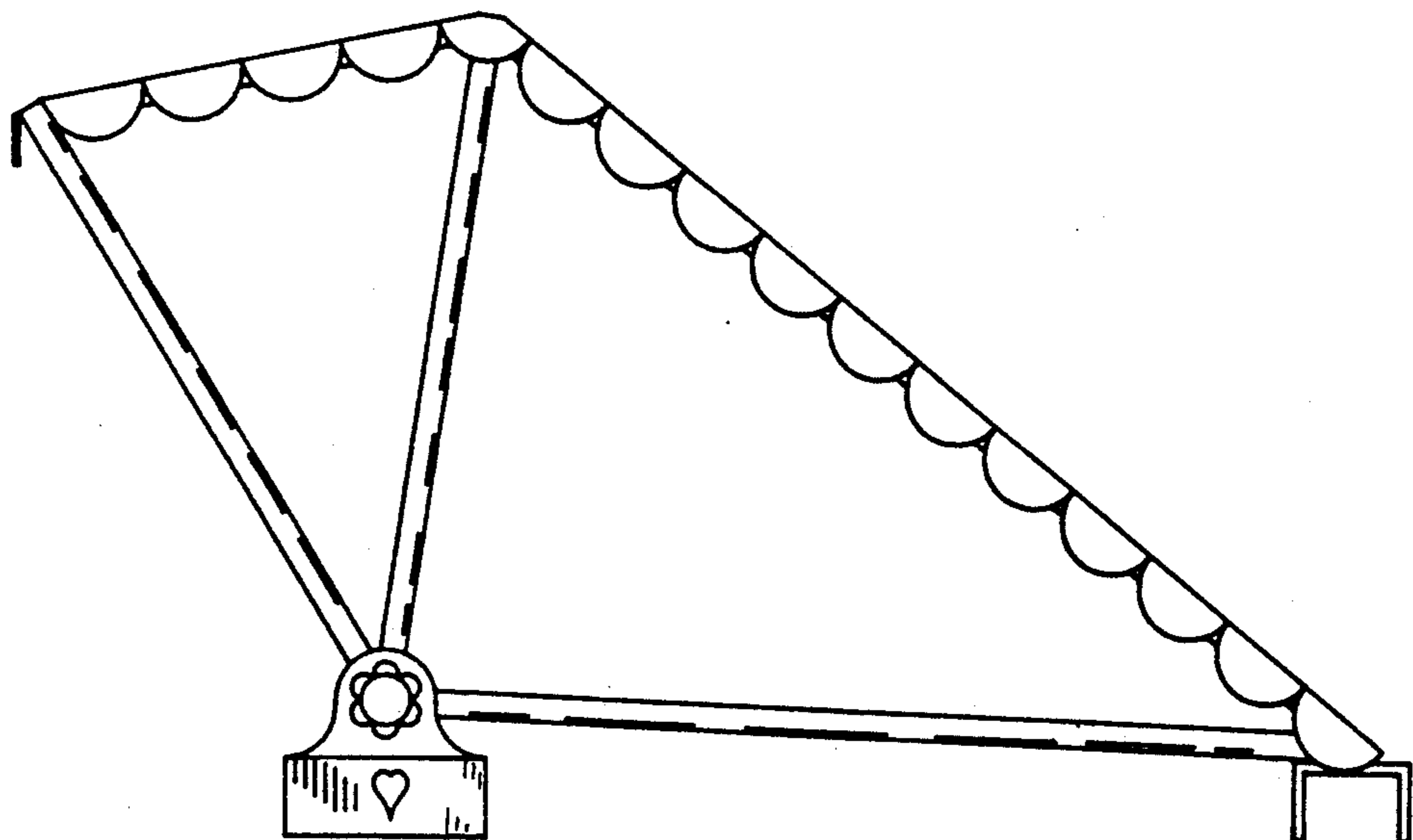




FIG. 5

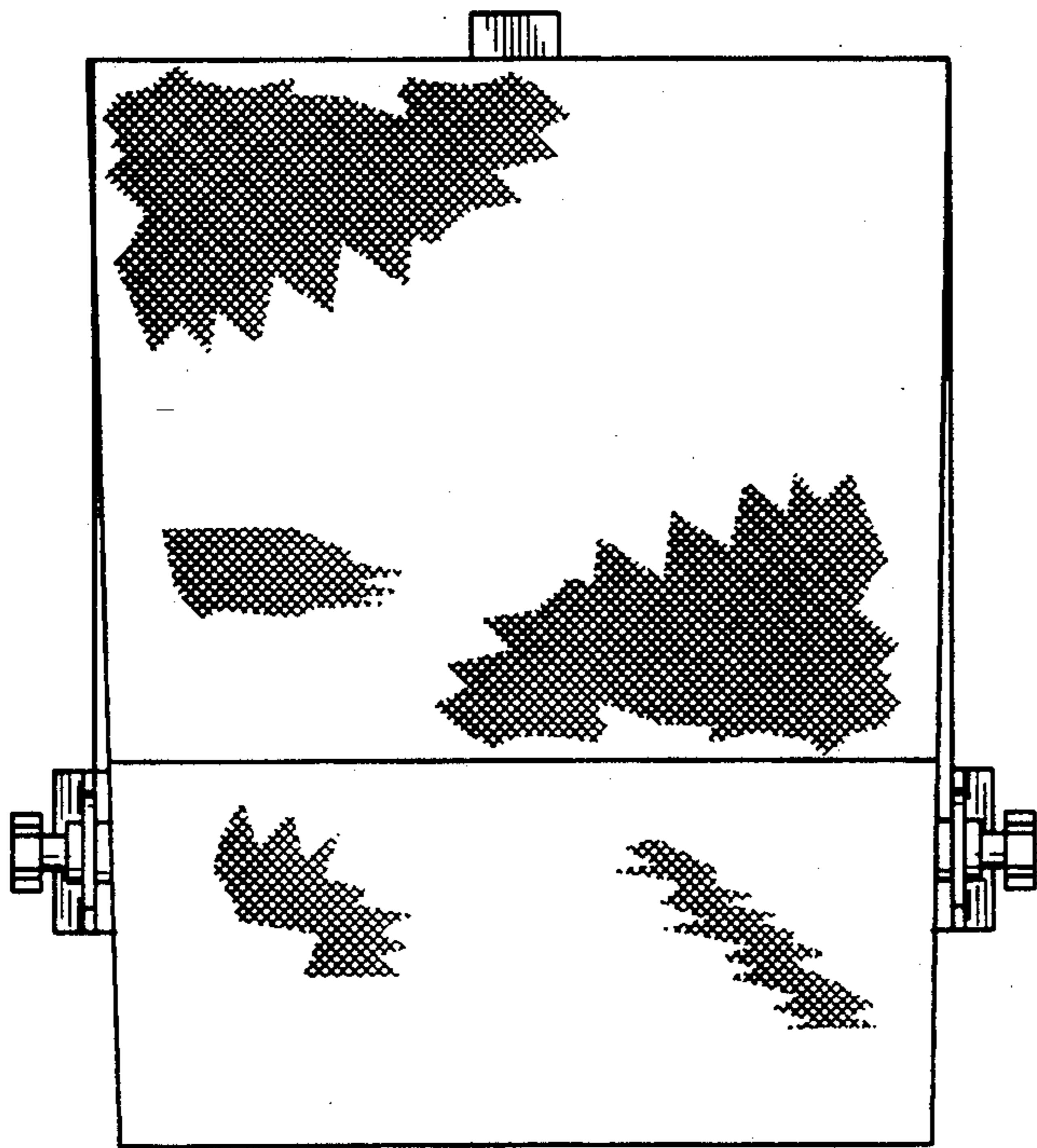


FIG. 6

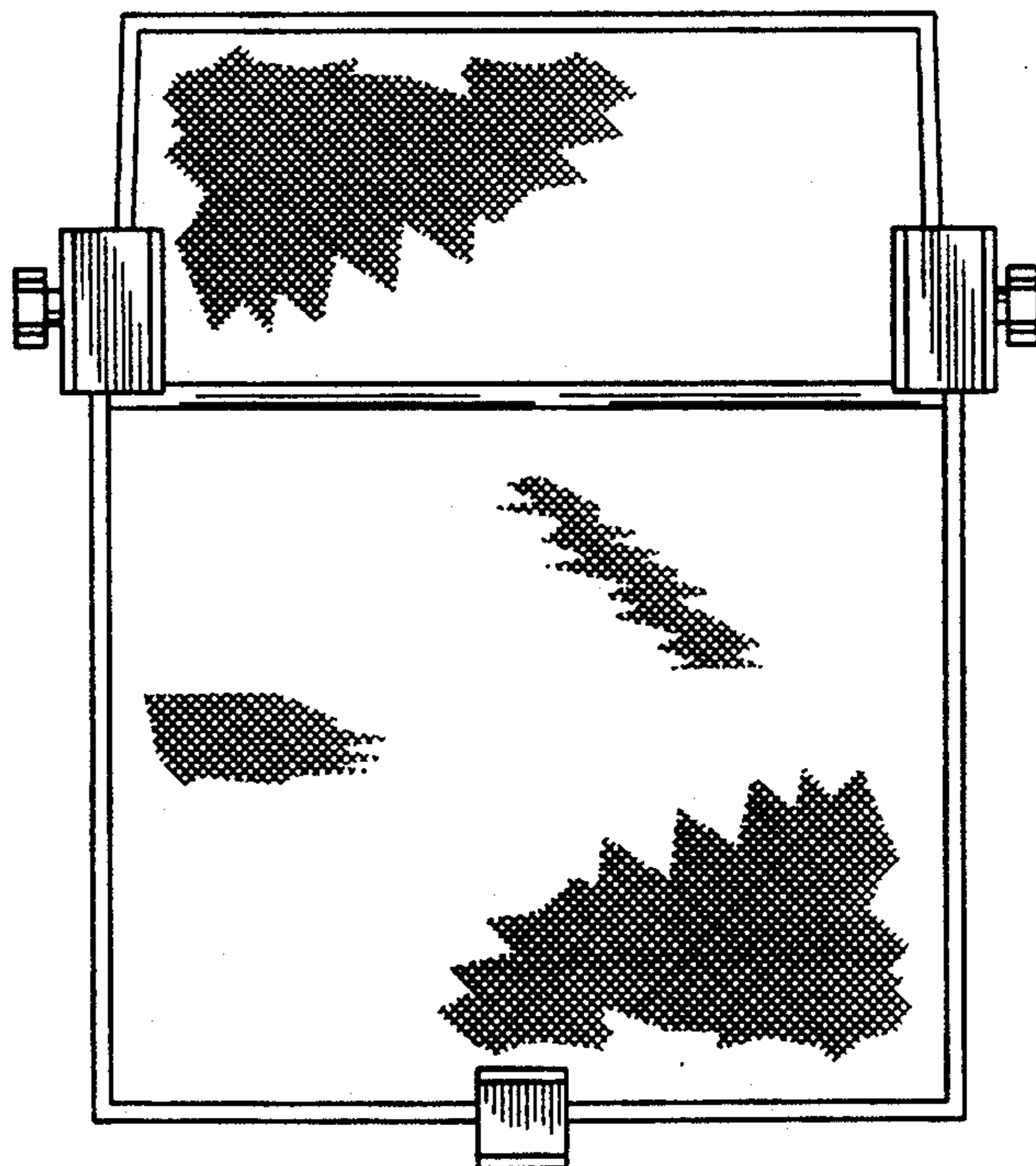


FIG. 7

