



US00D335039S

United States Patent [19]
Tseng

[11] **Patent Number: Des. 335,039**
[45] **Date of Patent: ** Apr. 27, 1993**

[54] **LAWN CHAIR**

[56] **References Cited**

U.S. PATENT DOCUMENTS

[76] **Inventor:** Chuen-Jong Tseng, No. 181,
Pu-Tzepu, Wan-Chao Tsun,
Chu-Chee Hsiang, Chiayi Hsien,
Taiwan

D. 299,986 2/1989 Doughty D6/344
D. 300,090 3/1989 Frinier D6/344
D. 325,305 4/1992 Sottsass et al. D6/379

Primary Examiner—Alan P. Douglas
Assistant Examiner—Gary D. Watson

[**] **Term:** 14 Years

[57] **CLAIM**

The ornamental design for a lawn chair, as shown and described.

[21] **Appl. No.:** 564,976

DESCRIPTION

[22] **Filed:** Aug. 9, 1990

FIG. 1 is a perspective view of a lawn chair showing my new design;

[52] **U.S. Cl.** D6/365; D6/344;
D6/370

FIG. 2 is a front elevational view thereof;

FIG. 3 is a rear elevational view thereof;

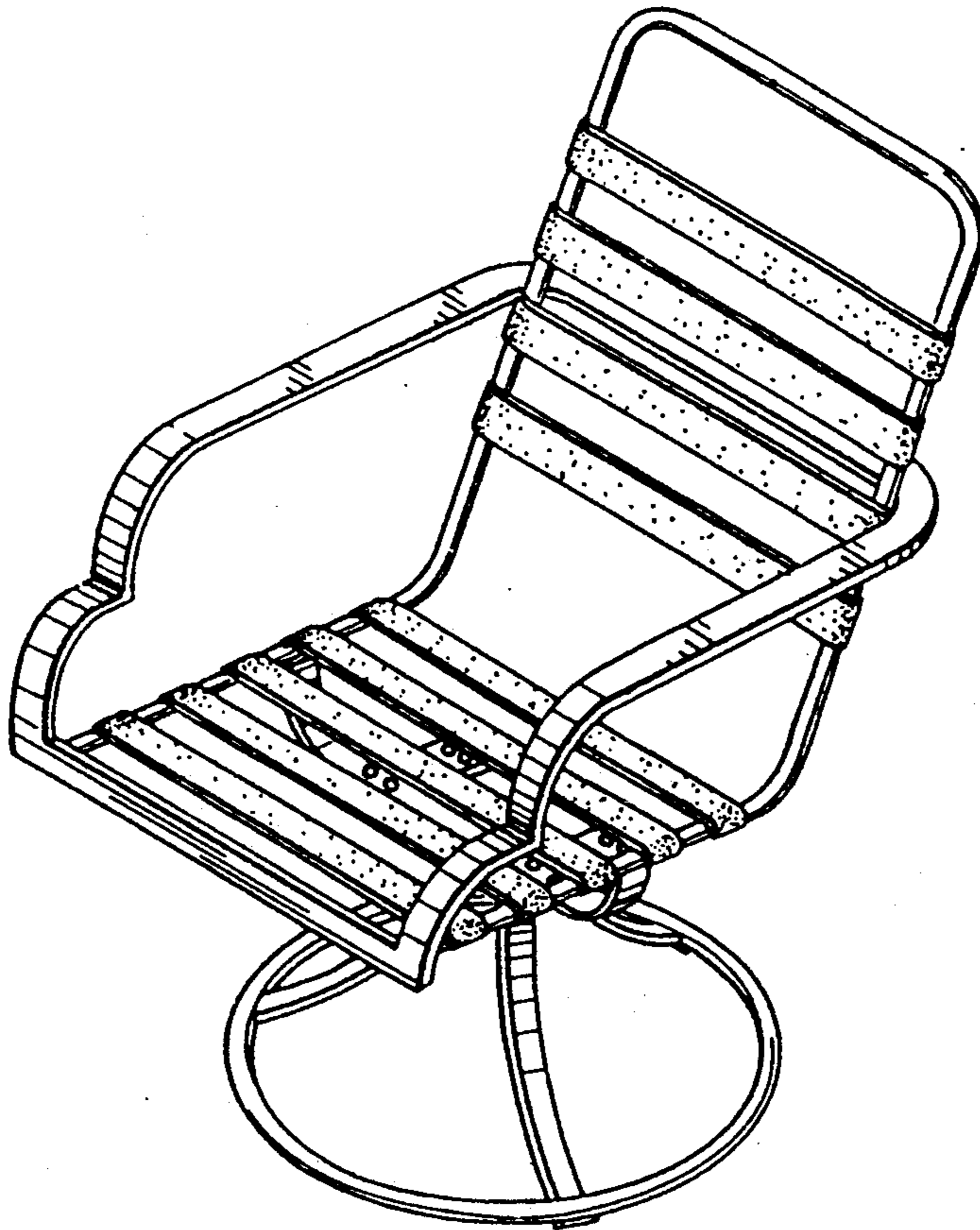
[58] **Field of Search** D6/334, 344, 364, 365,
D6/366, 367, 368, 369, 370, 374, 375, 376, 379,
380, 500, 501, 502; 297/260, 418, 419, 445

FIG. 4 is a left side view thereof;

FIG. 5 is a right side view thereof;

FIG. 6 is a top plan view thereof; and,

FIG. 7 is a bottom plan view thereof.



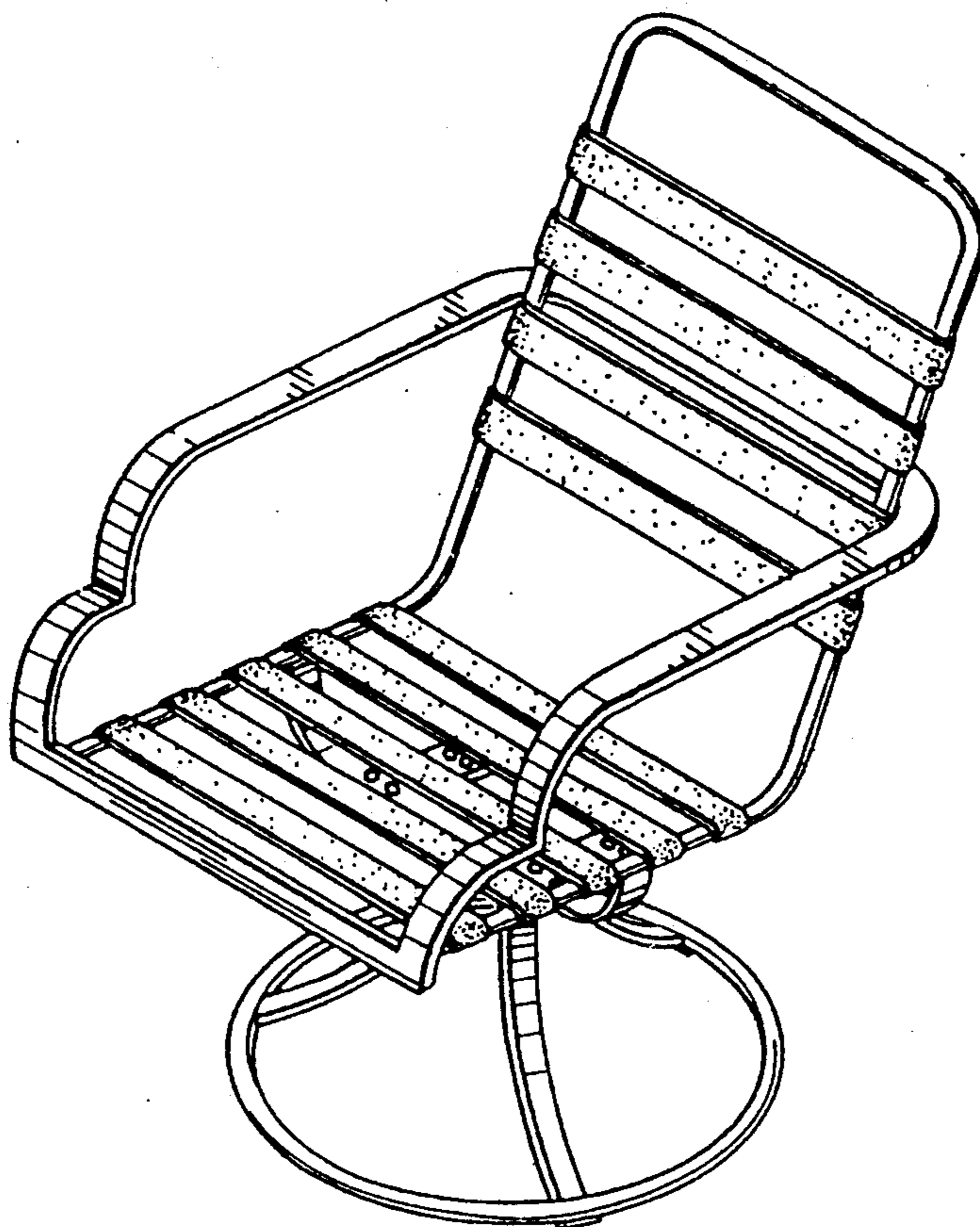


FIG. 1

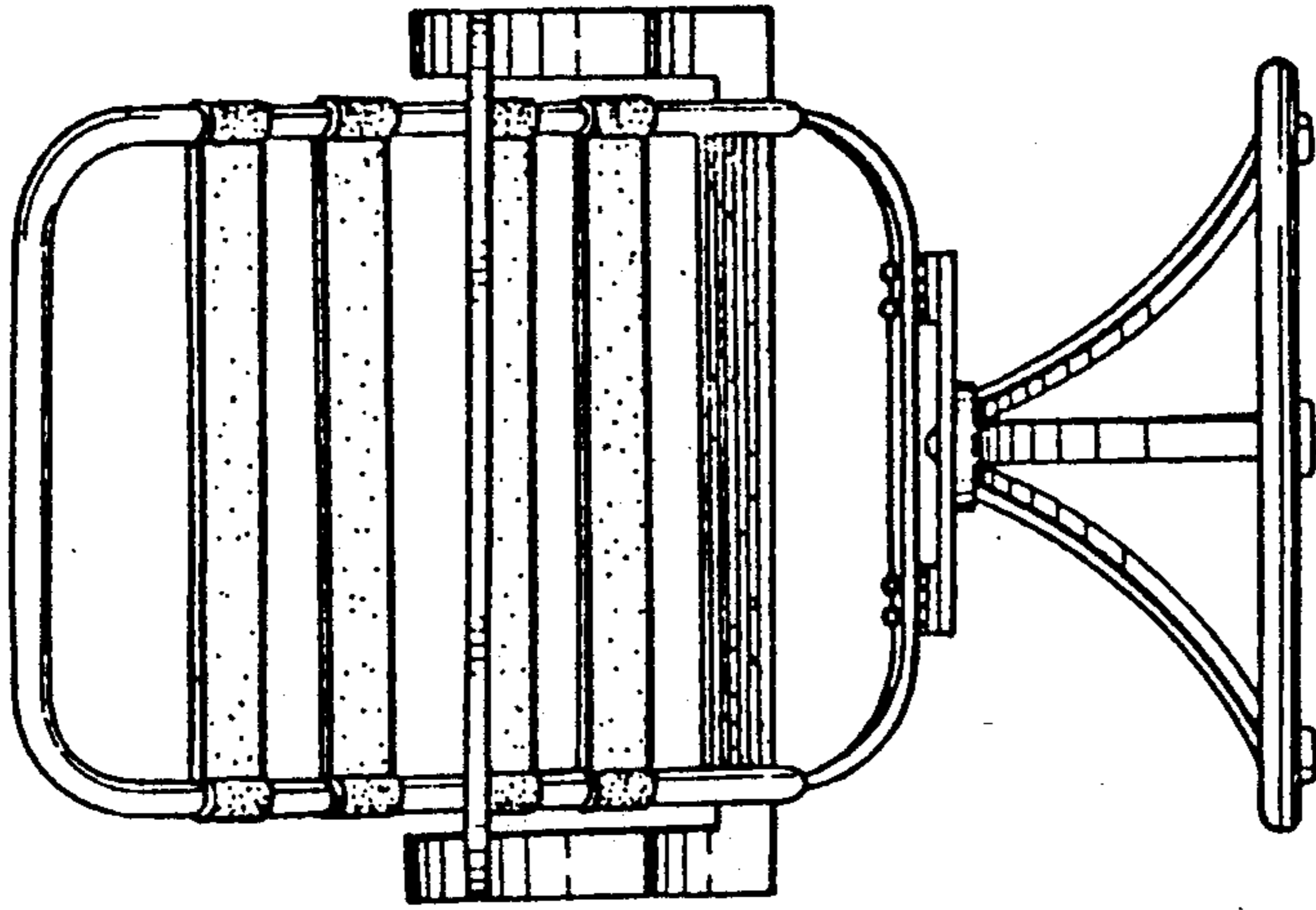


FIG. 3

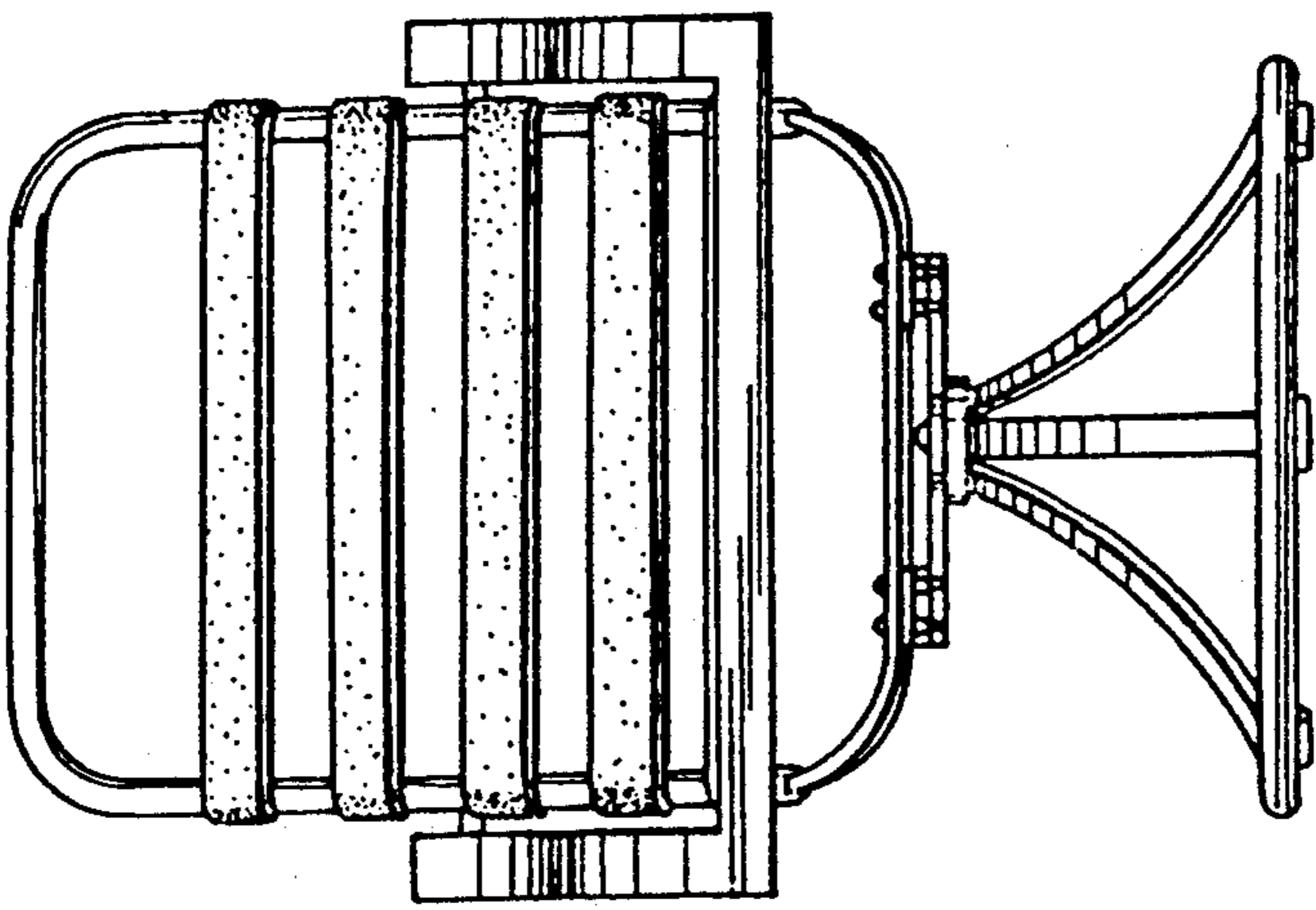


FIG. 2

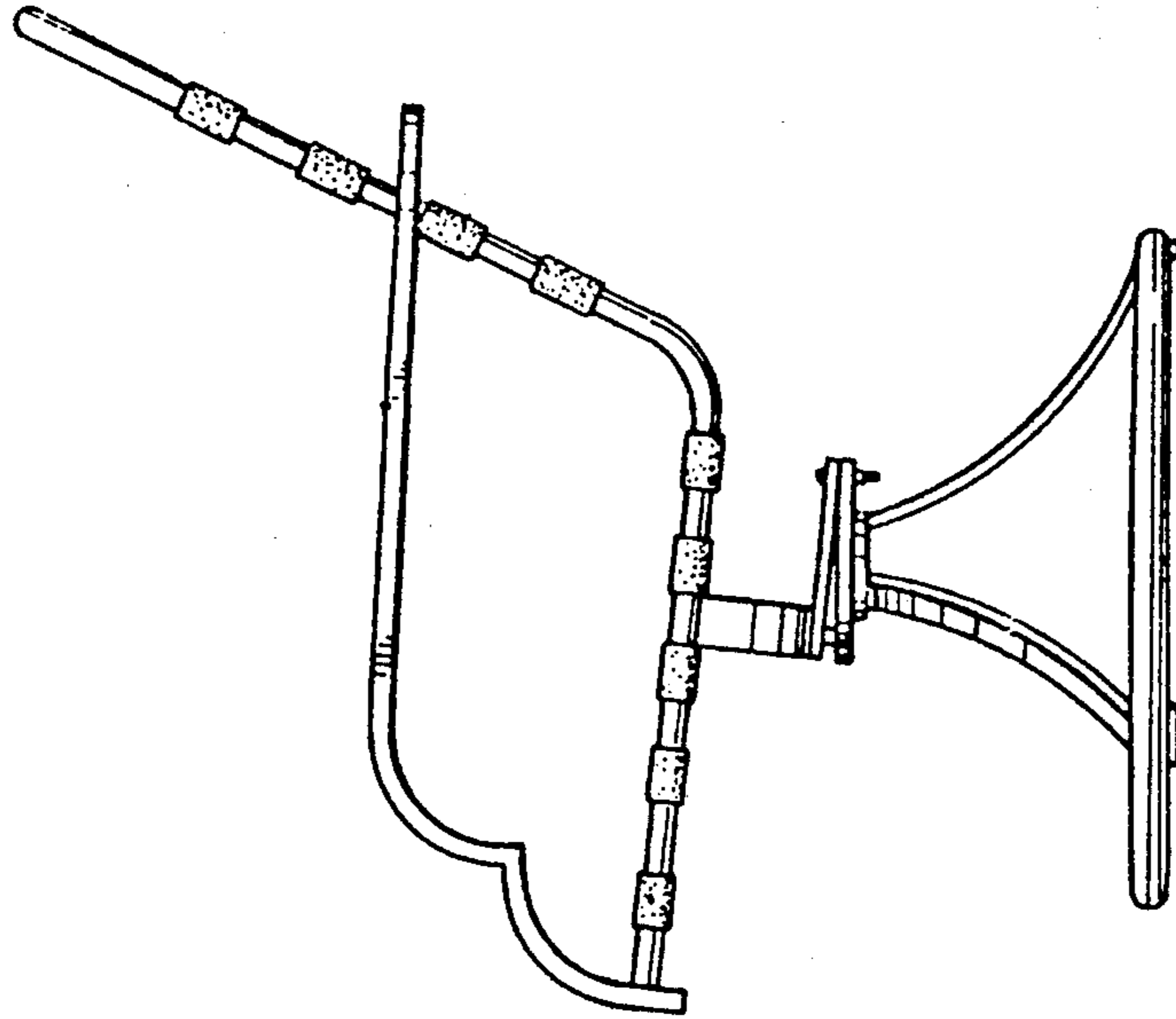


FIG. 5

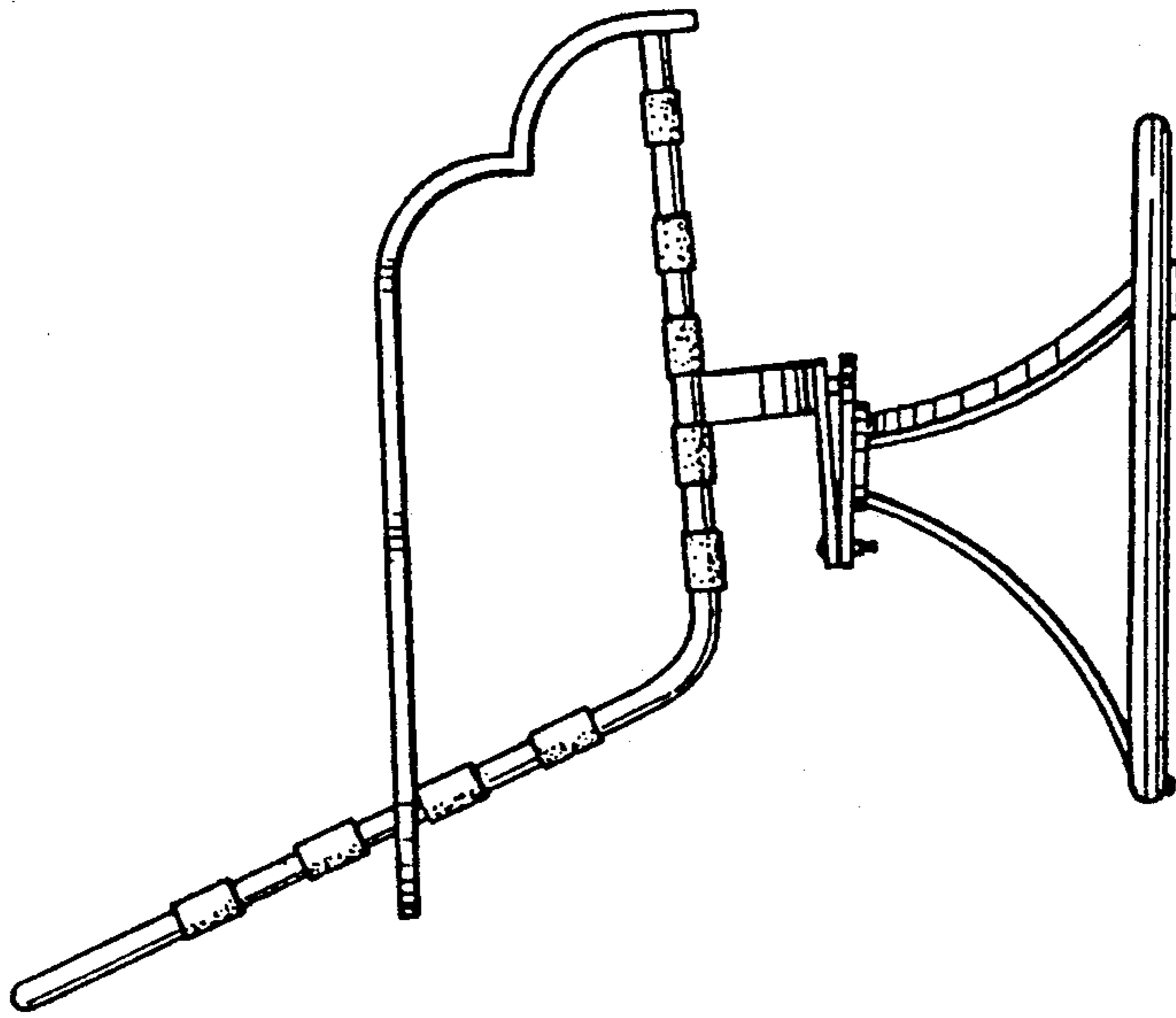


FIG. 4

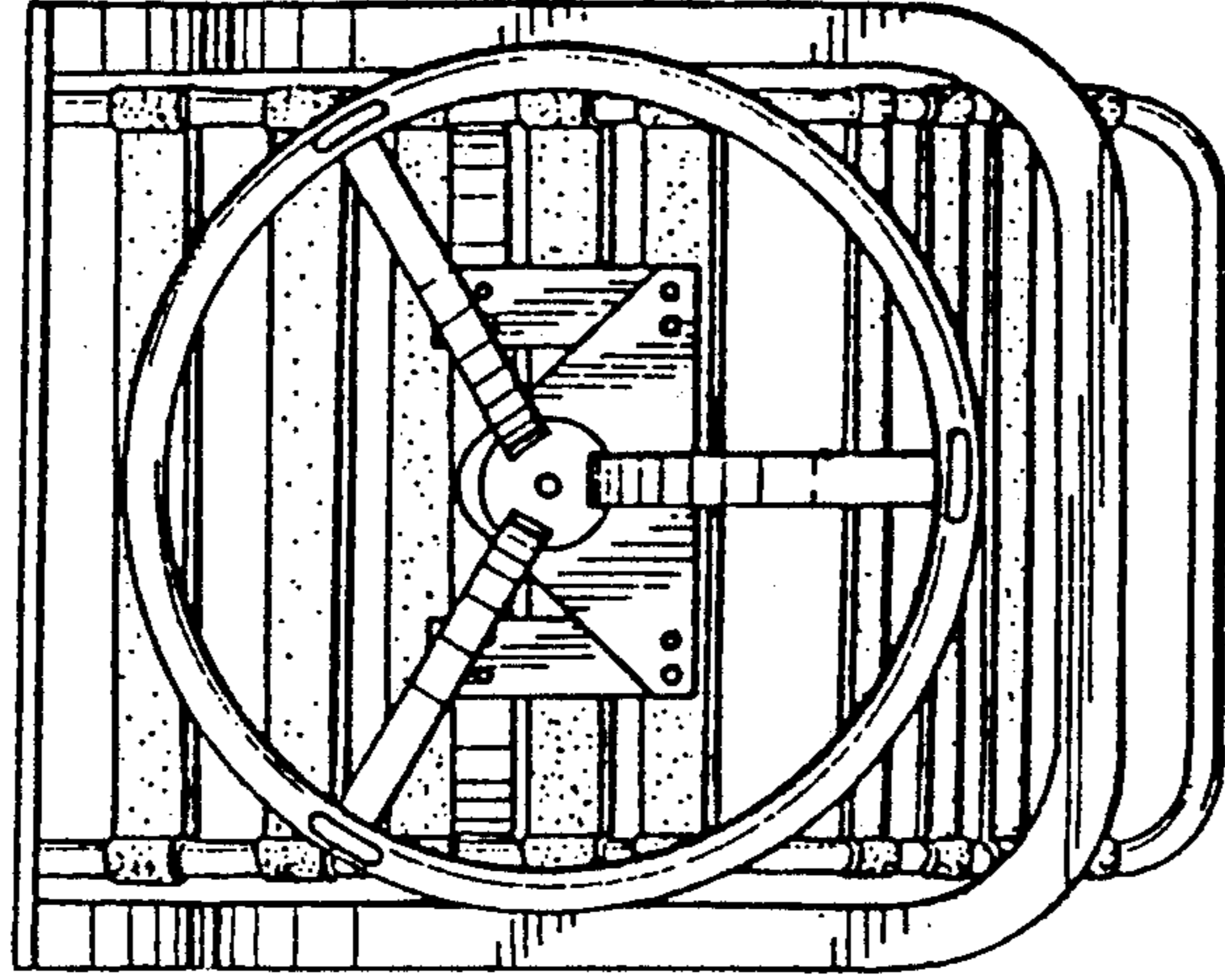


FIG. 7

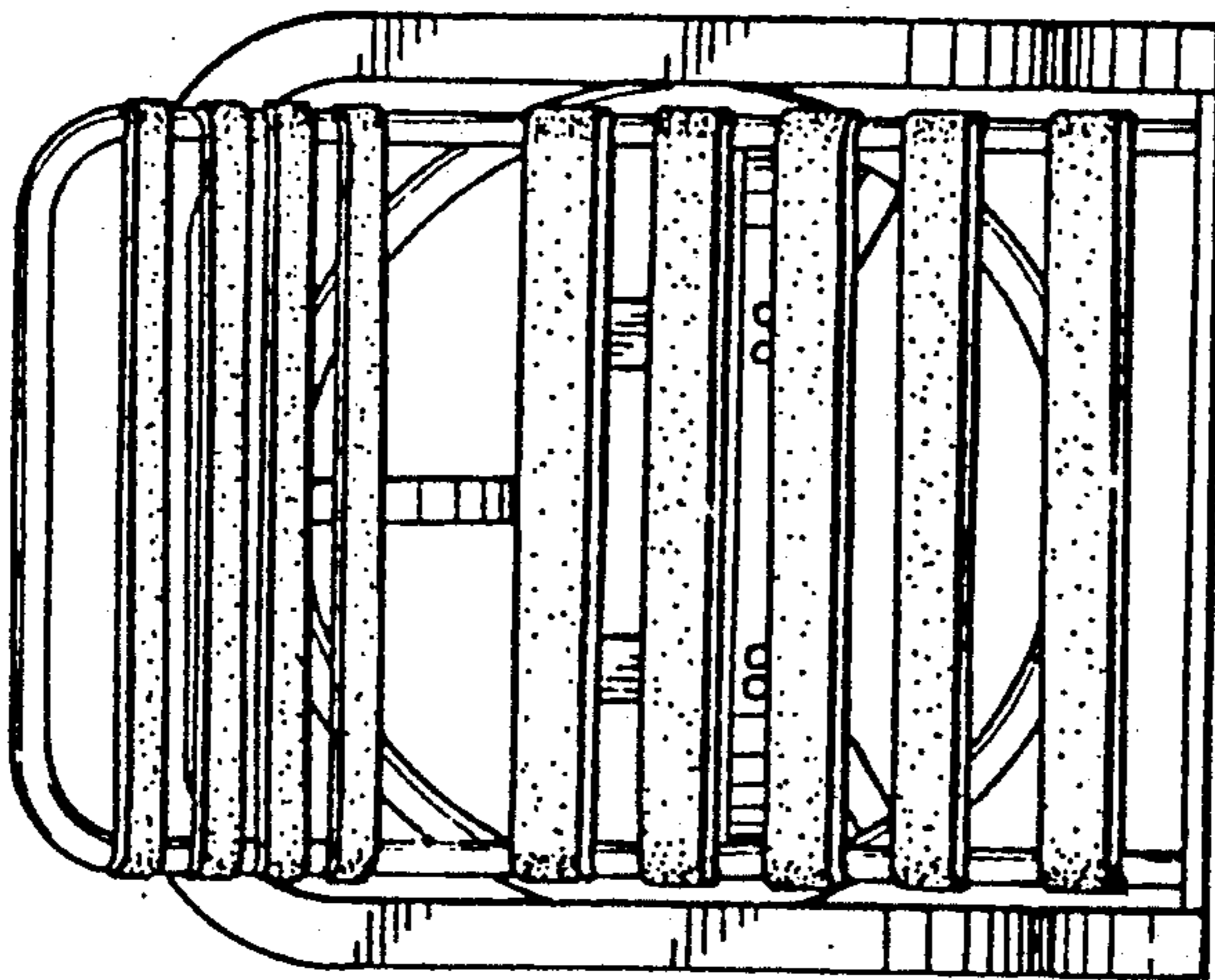


FIG. 6