



US00D335038S

United States Patent [19]

[11] Patent Number: **Des. 335,038**

Tseng

[45] Date of Patent: **** Apr. 27, 1993**

[54] **LAWN CHAIR**

[76] Inventor: **Chuen-Jong Tseng, No. 181,
Pu-Tzepu, Wan-Chao Tsun,
Chu-Chee Hsiang, Chiayi Hsien,
Taiwan**

D. 222,248	10/1971	Leaver	D6/365
D. 224,188	7/1972	Leaver	D6/365
D. 299,986	2/1989	Doughty	D6/344
D. 300,090	3/1989	Frinier	D6/344
D. 325,305	4/1992	Sottsass et al.	D6/379

[**] Term: **14 Years**

Primary Examiner—Alan P. Douglas
Assistant Examiner—Gary D. Watson

[21] Appl. No.: **564,973**

[57] **CLAIM**

[22] Filed: **Aug. 9, 1990**

The ornamental design for a lawn chair, as shown and described.

[52] U.S. Cl. **D6/365; D6/344;
D6/370**

DESCRIPTION

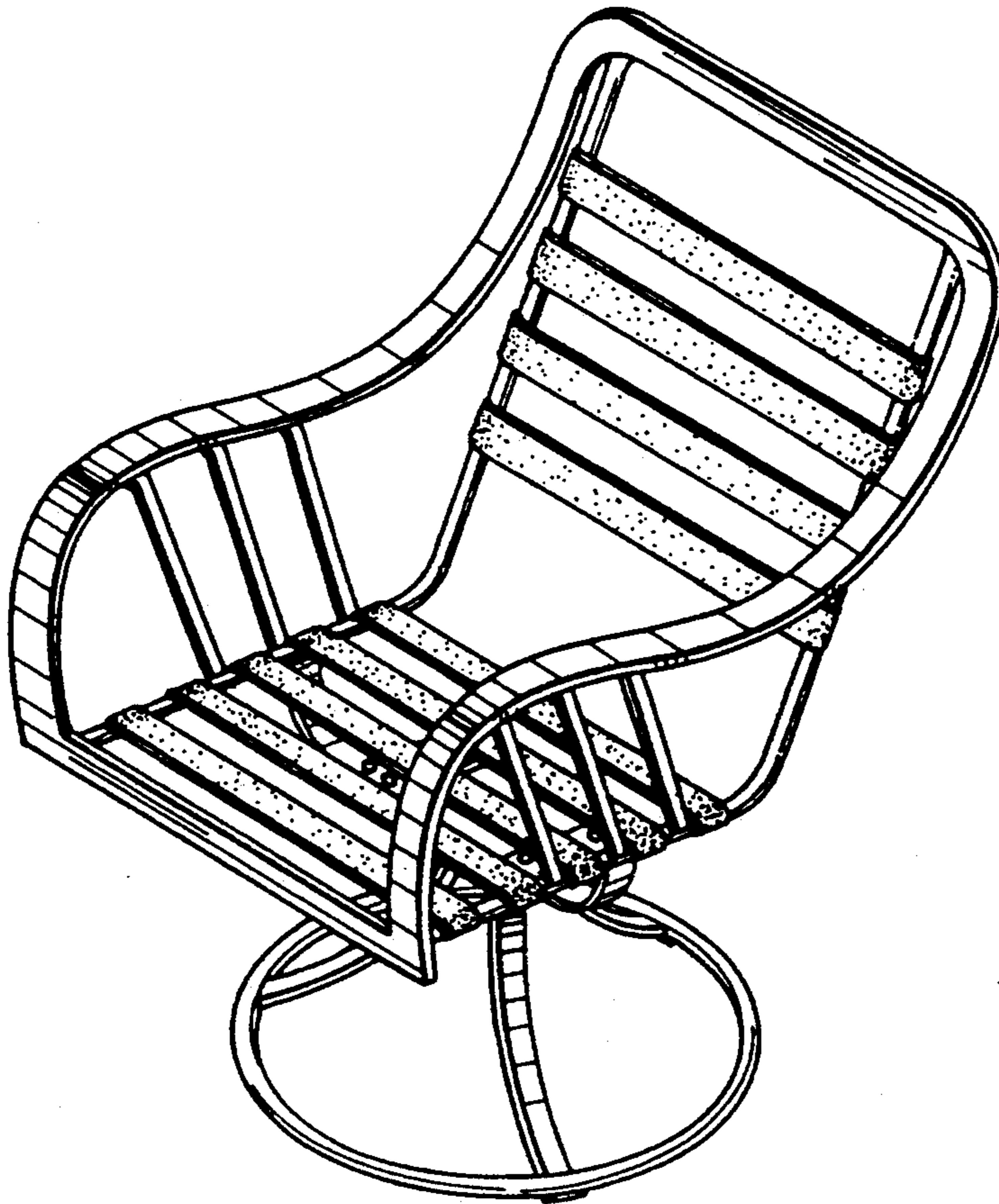
[58] Field of Search **D6/334, 344, 364, 365,
D6/366, 367, 368, 369, 370, 374, 375, 376, 379,
380, 500, 501, 502; 297/260, 418, 419, 445**

FIG. 1 is a perspective view of a lawn chair showing my new design;
FIG. 2 is a front elevational view thereof;
FIG. 3 is a rear elevational view thereof;
FIG. 4 is a left side view thereof;
FIG. 5 is a right side view thereof;
FIG. 6 is a top plan view thereof; and,
FIG. 7 is a bottom plan view thereof.

[56] **References Cited**

U.S. PATENT DOCUMENTS

D. 218,816 9/1970 Leaver **D6/375 X**



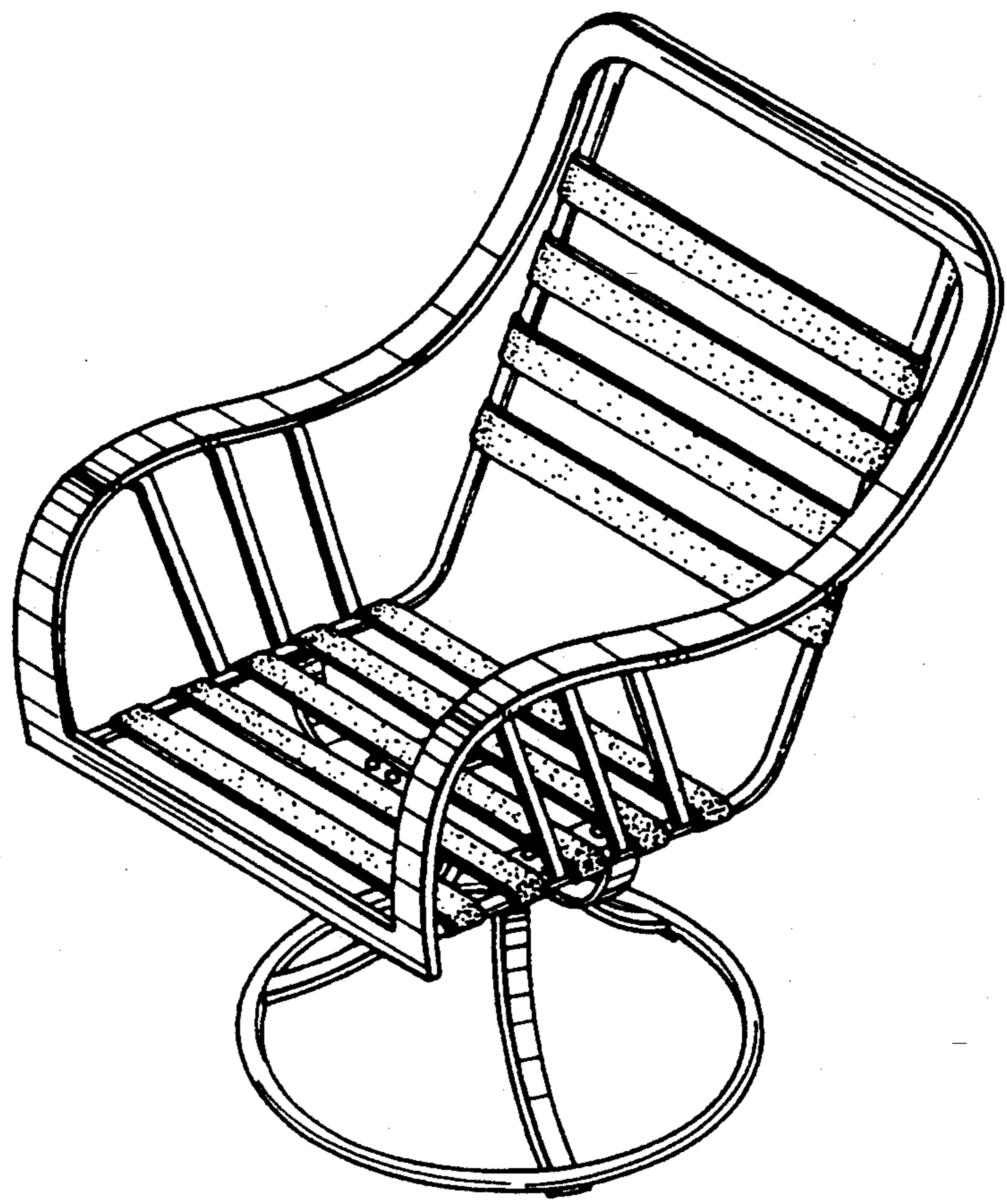


FIG. 1

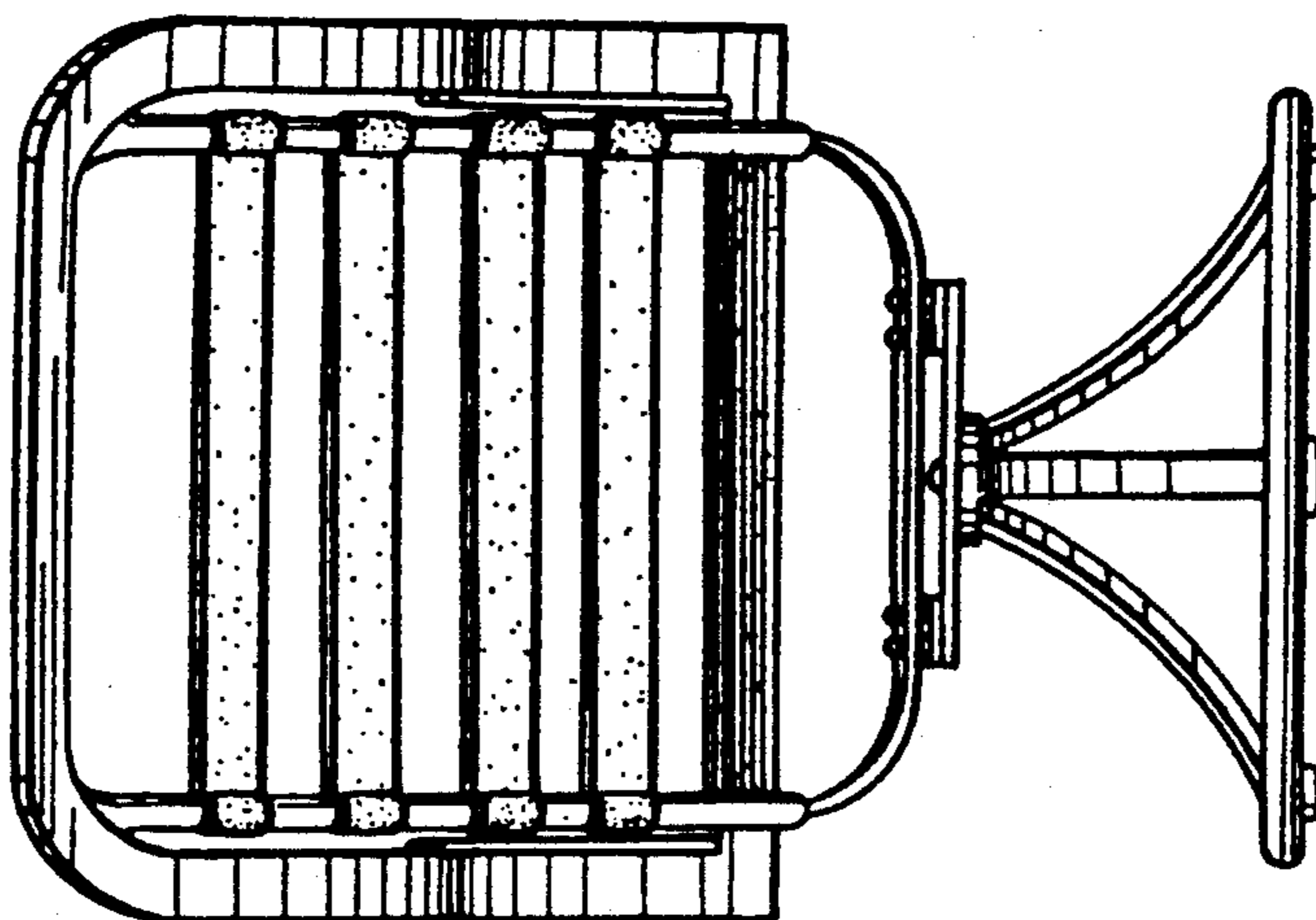


FIG. 3

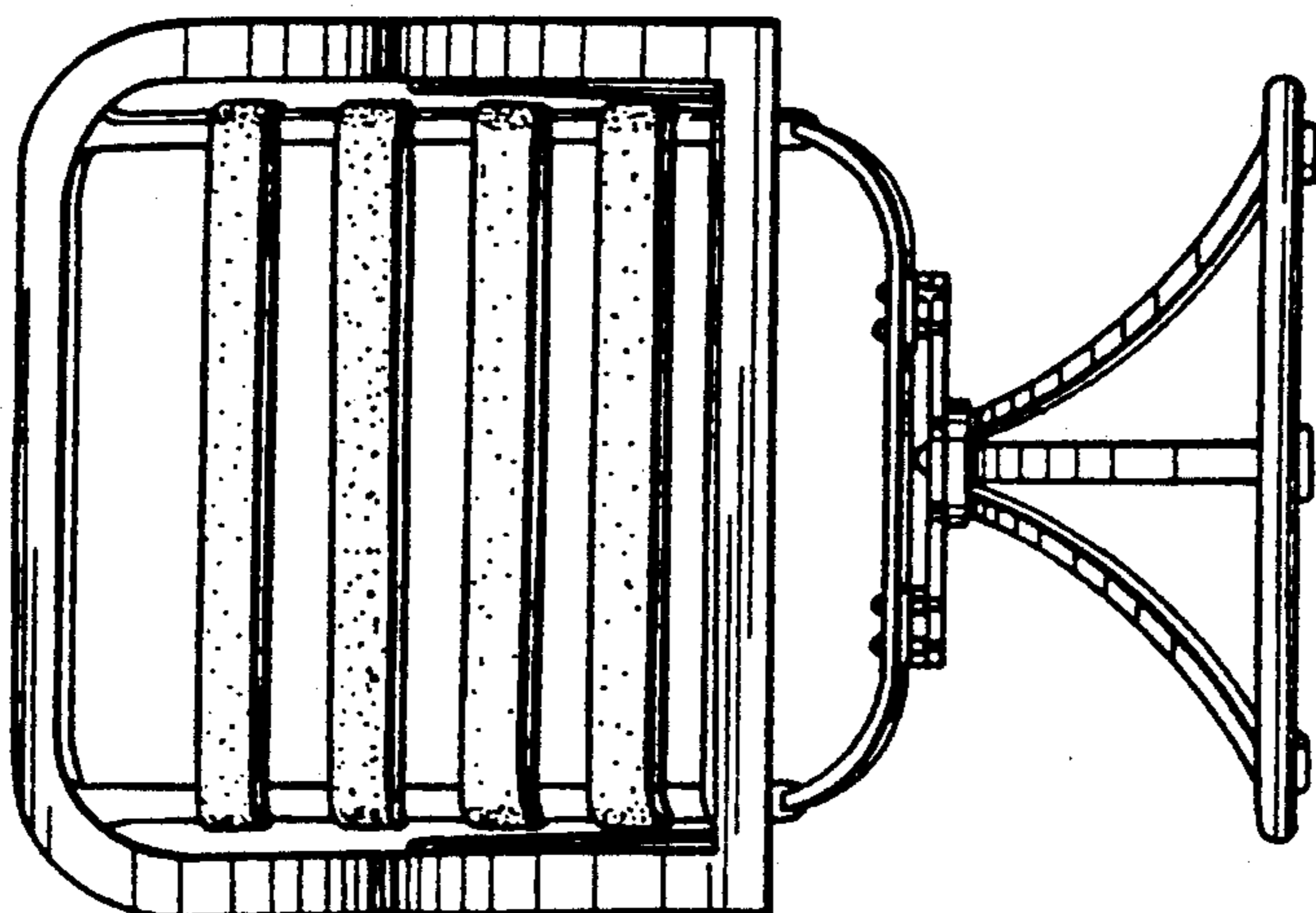


FIG. 2

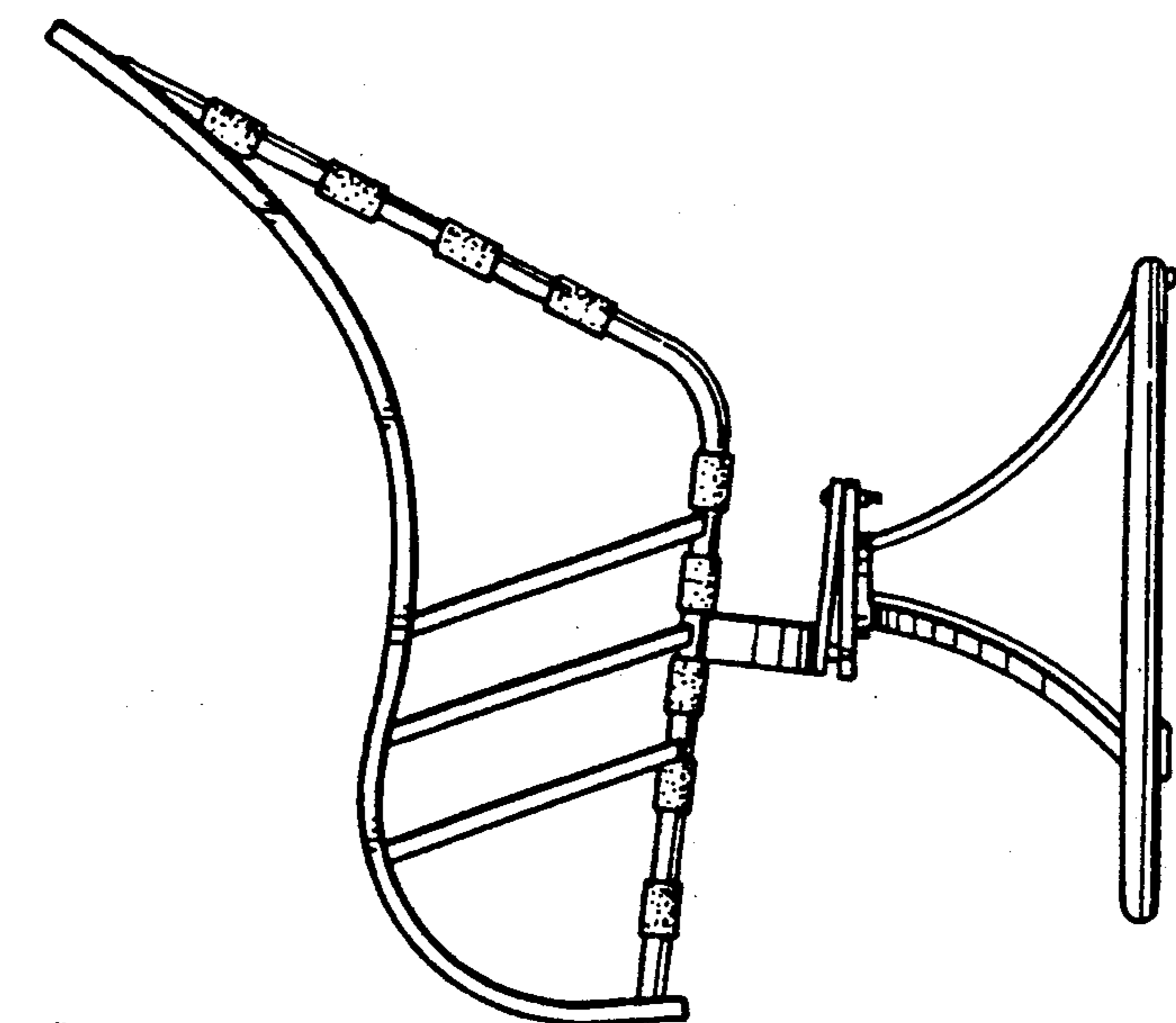


FIG. 5

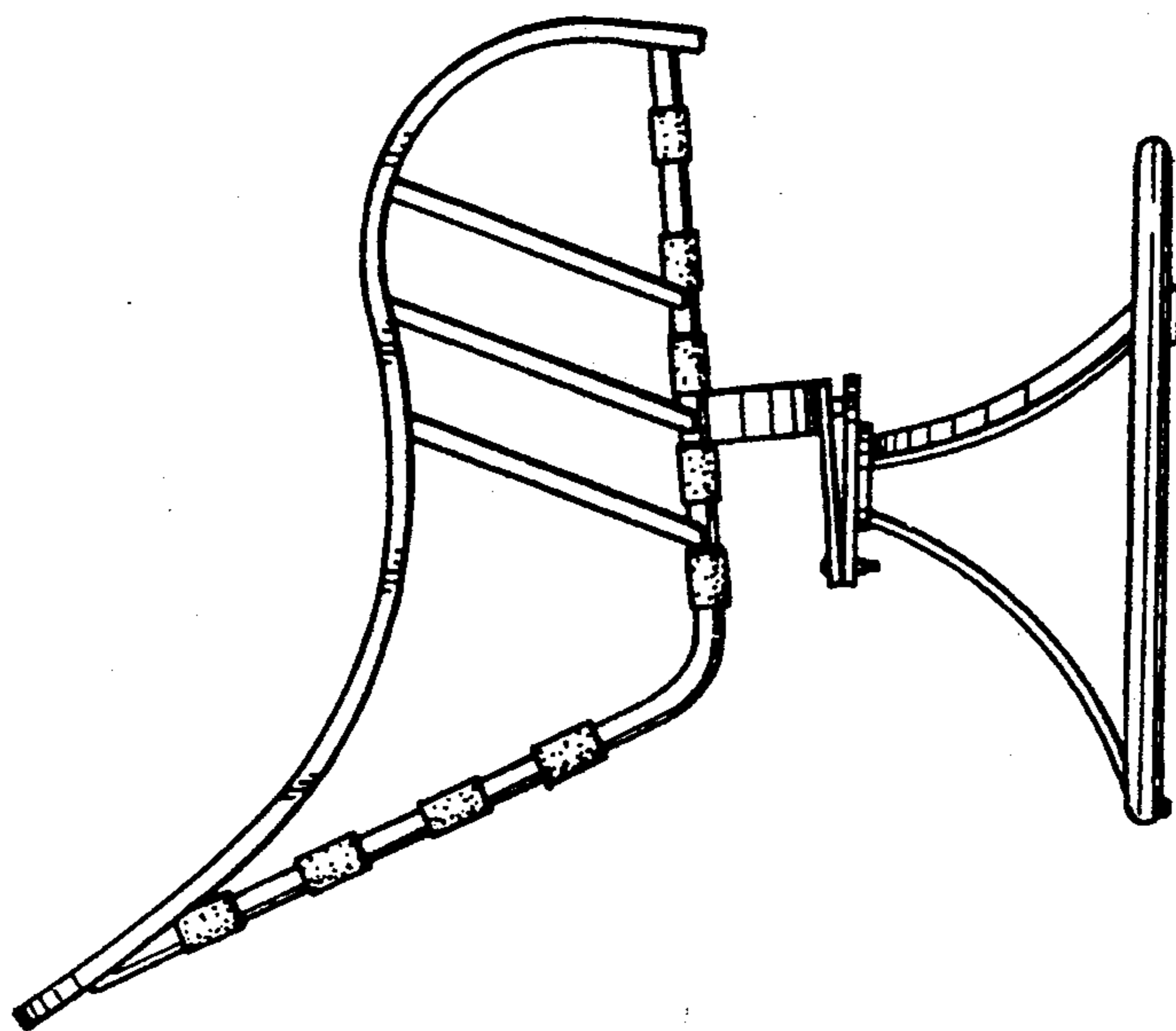


FIG. 4

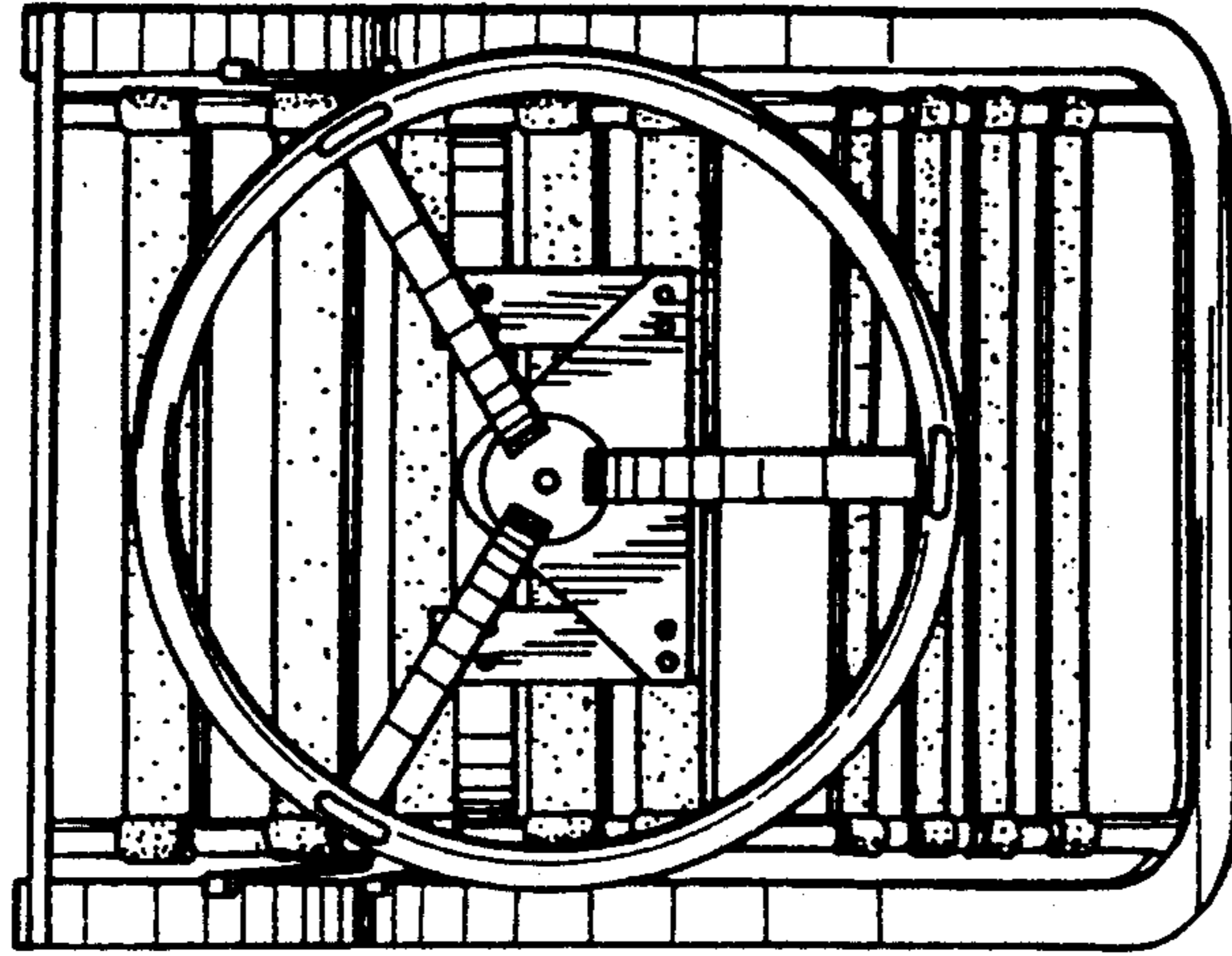


FIG. 7

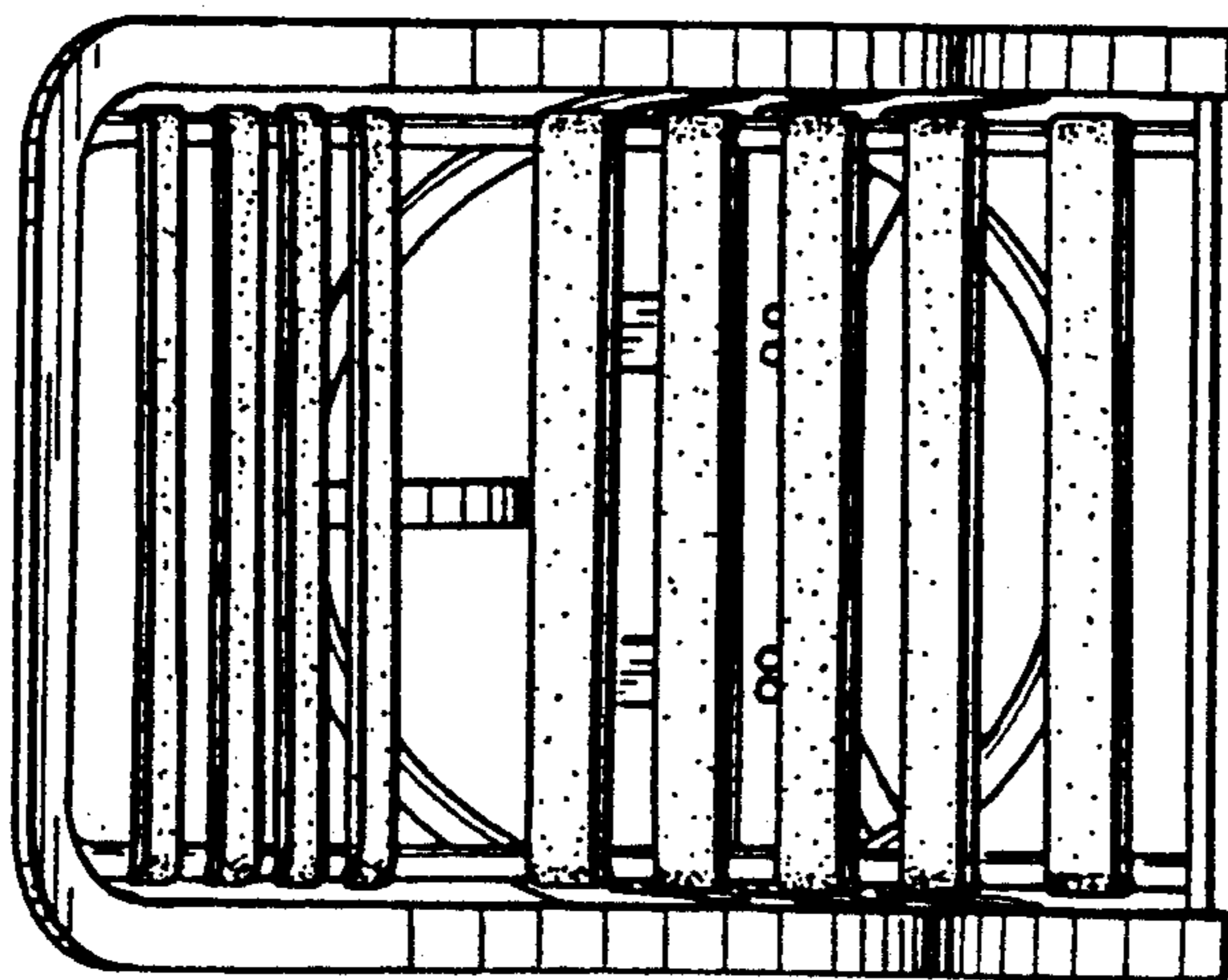


FIG. 6