



US00D335035S

United States Patent [19]

Floyd

[11] Patent Number: **Des. 335,035**

[45] Date of Patent: **** Apr. 27, 1993**

- [54] SEAT
- [76] Inventor: **James M. Floyd**, Rte. 2, Box 267,
Thomasville, N.C. 27360
- [**] Term: **14 Years**
- [21] Appl. No.: **529,261**
- [22] Filed: **May 29, 1990**
- [52] U.S. Cl. **D6/361; D6/334**
- [58] Field of Search **D6/334, 335, 360, 361,
D6/371, 374, 381**

- D. 320,892 10/1991 Kinard et al. **D6/369**
- 4,518,203 5/1985 White **297/380**

Primary Examiner—Alan P. Douglas
Assistant Examiner—Ann S. Hunt

[57] CLAIM

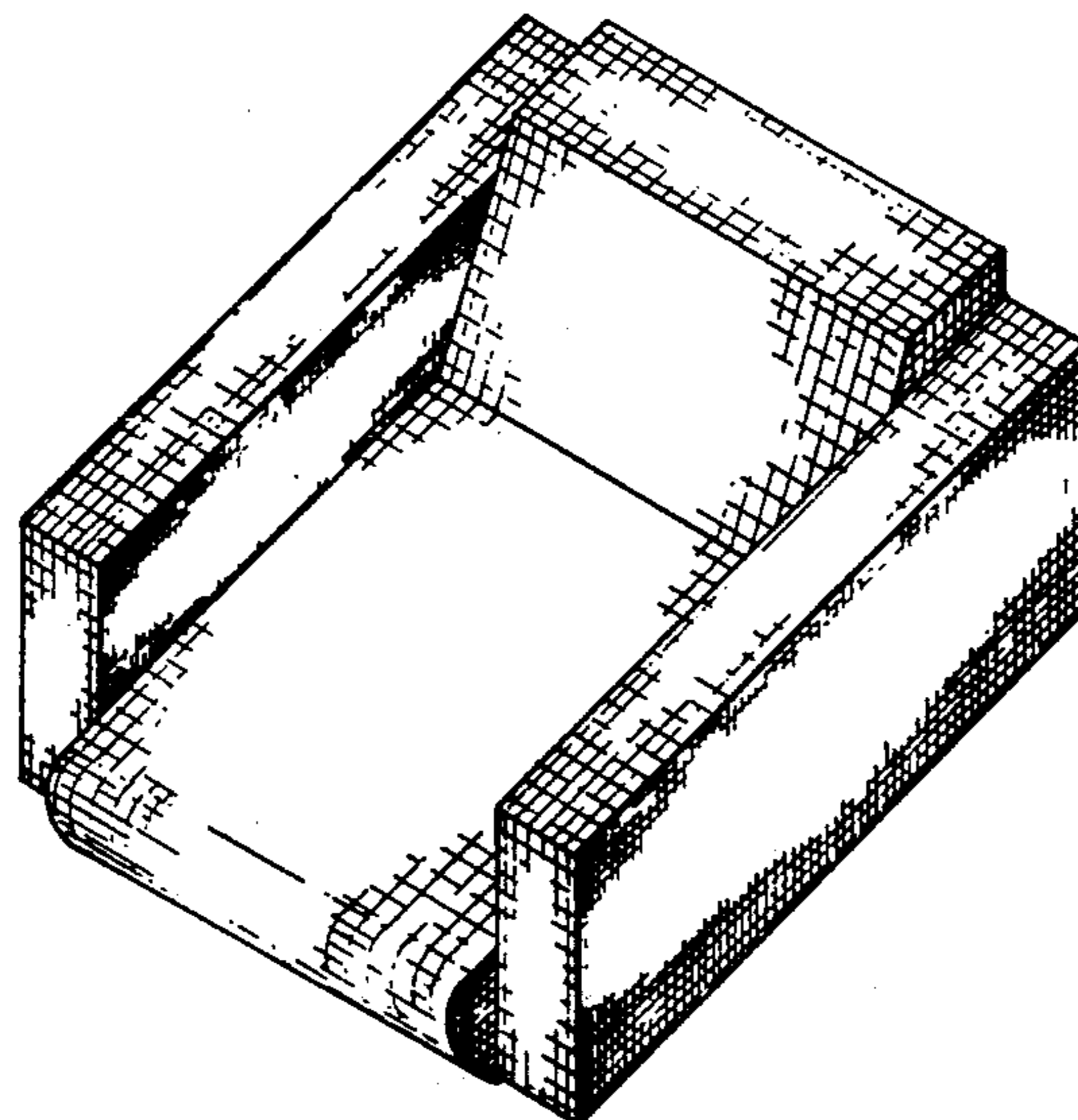
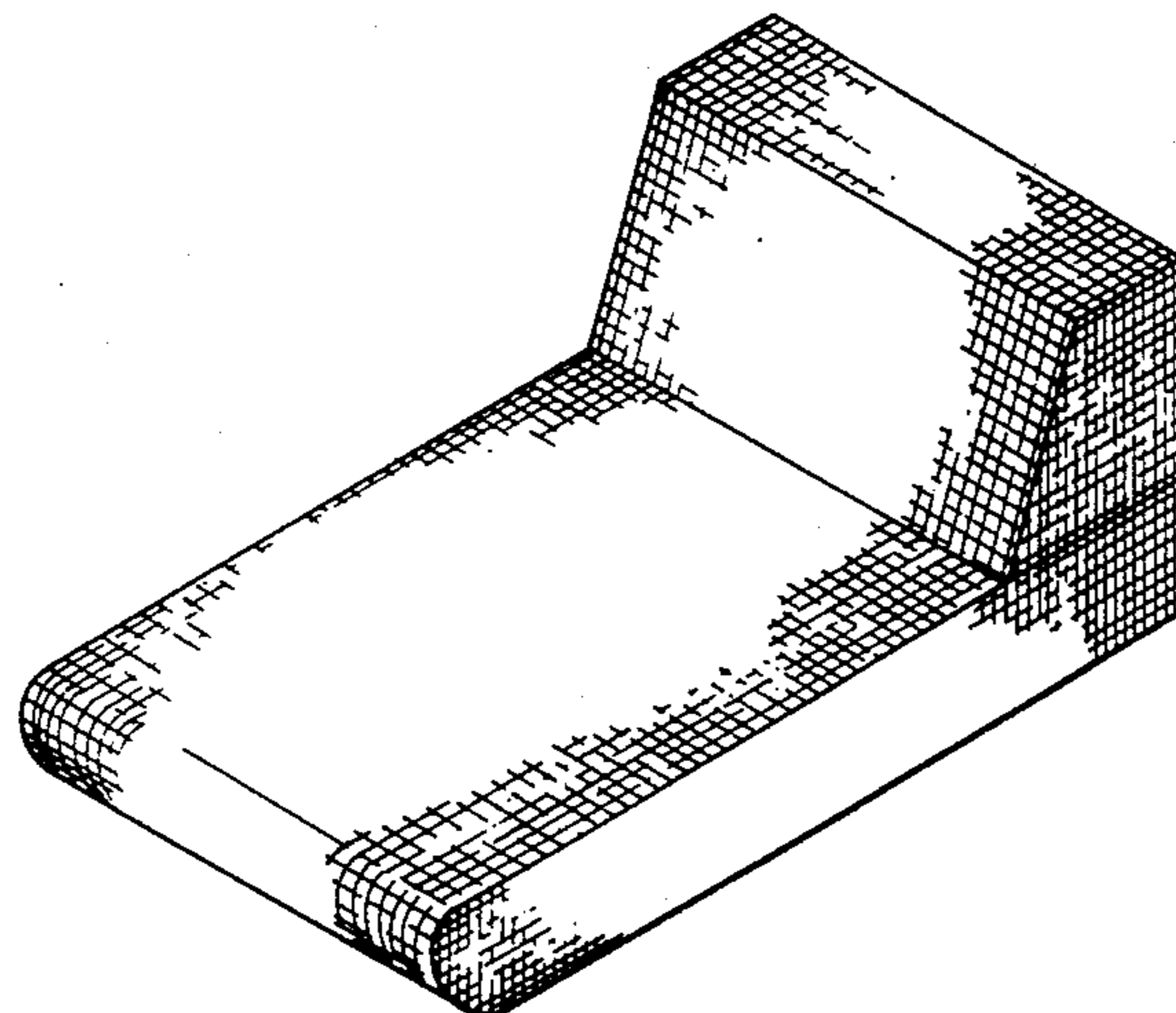
The ornamental design for a seat, as shown and described.

DESCRIPTION

FIG. 1 is a top, front, right side perspective view of seat embodying my design;
 FIG. 2 is a left side elevational view thereof;
 FIG. 3 is a rear elevational view thereof, the bottom being substantially plain and unornamental;
 FIG. 4 is a top, front, right side perspective view of a second embodiment of the invention the arms attached thereof;
 FIG. 5 is a left side elevational view thereof; and,
 FIG. 6 is a rear elevational view thereof, the bottom being substantially plain and unornamental.

[56] **References Cited**
U.S. PATENT DOCUMENTS

D. 252,484	7/1979	Petersilie	D6/381
D. 252,486	7/1979	Petersilie	D6/381
D. 268,797	3/1983	Mascheroni	D6/371
D. 272,968	3/1984	Fairaizen	D6/381
D. 280,364	9/1985	Hopfer	D6/371
D. 313,893	1/1991	Hopfer	D6/334



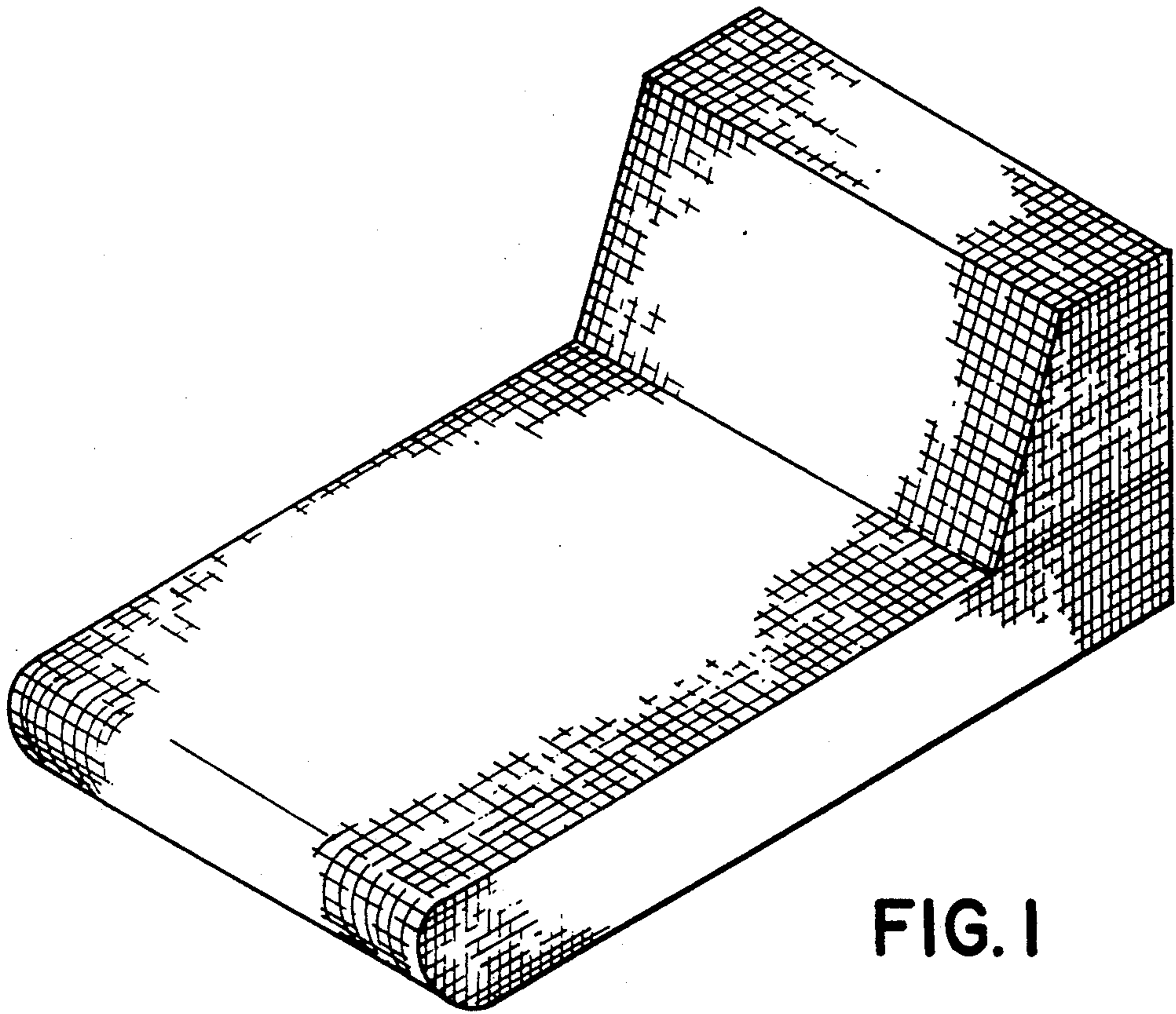


FIG. 1

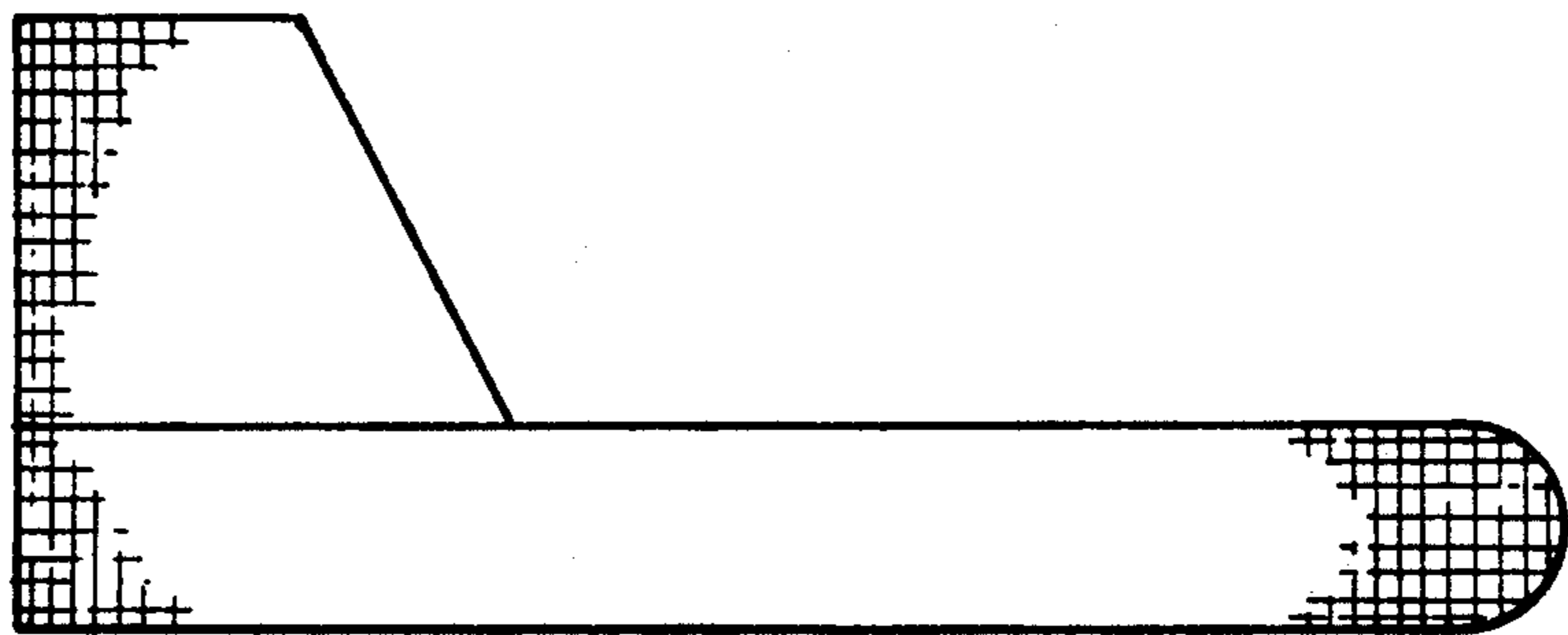


FIG. 2

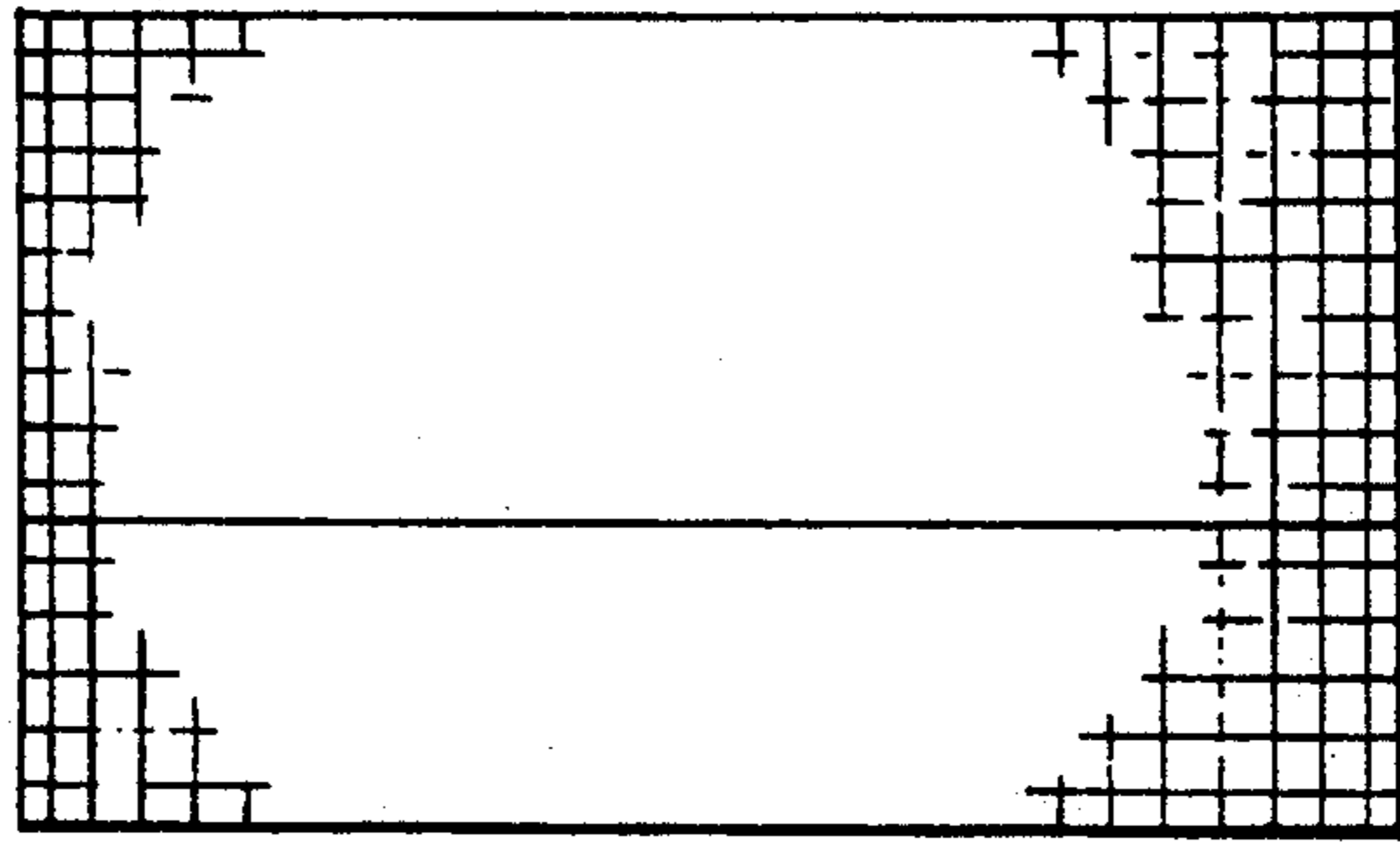


FIG. 3

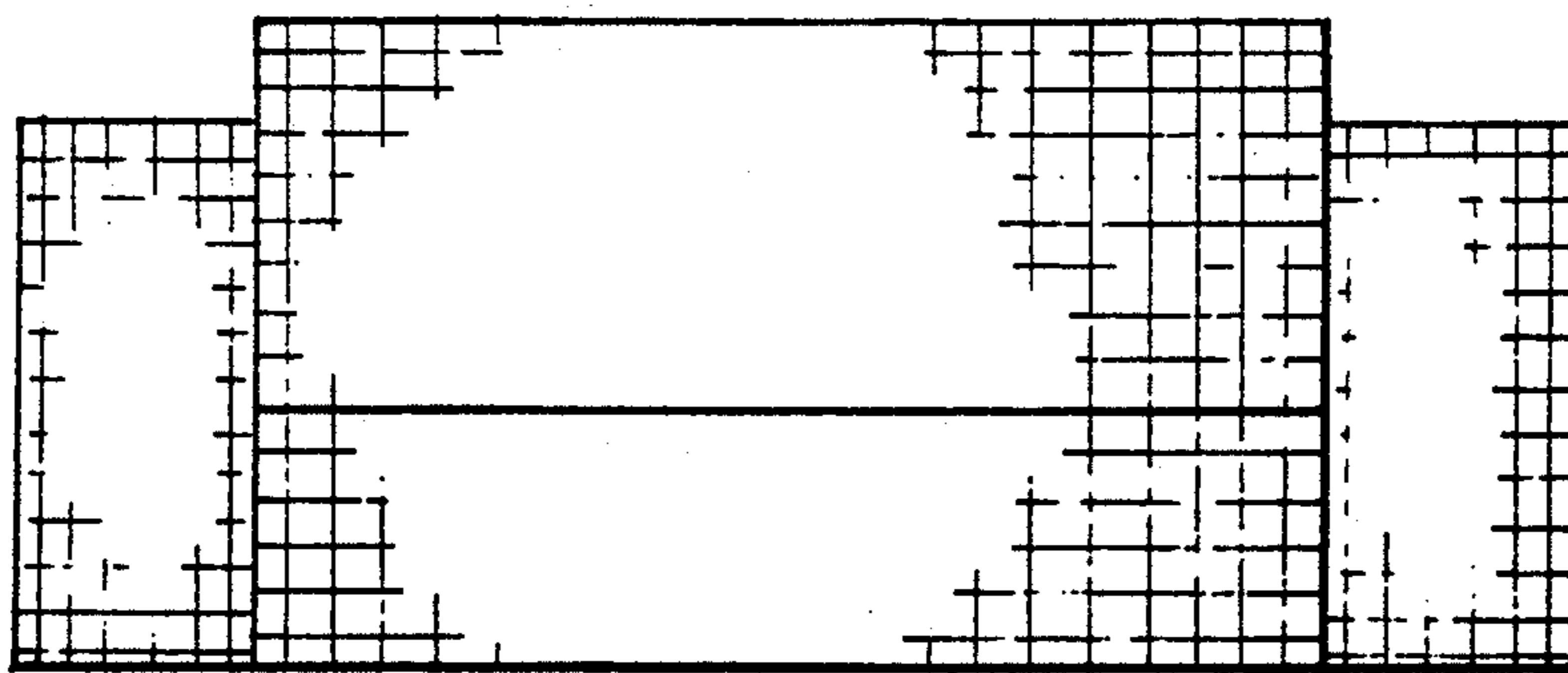


FIG. 6

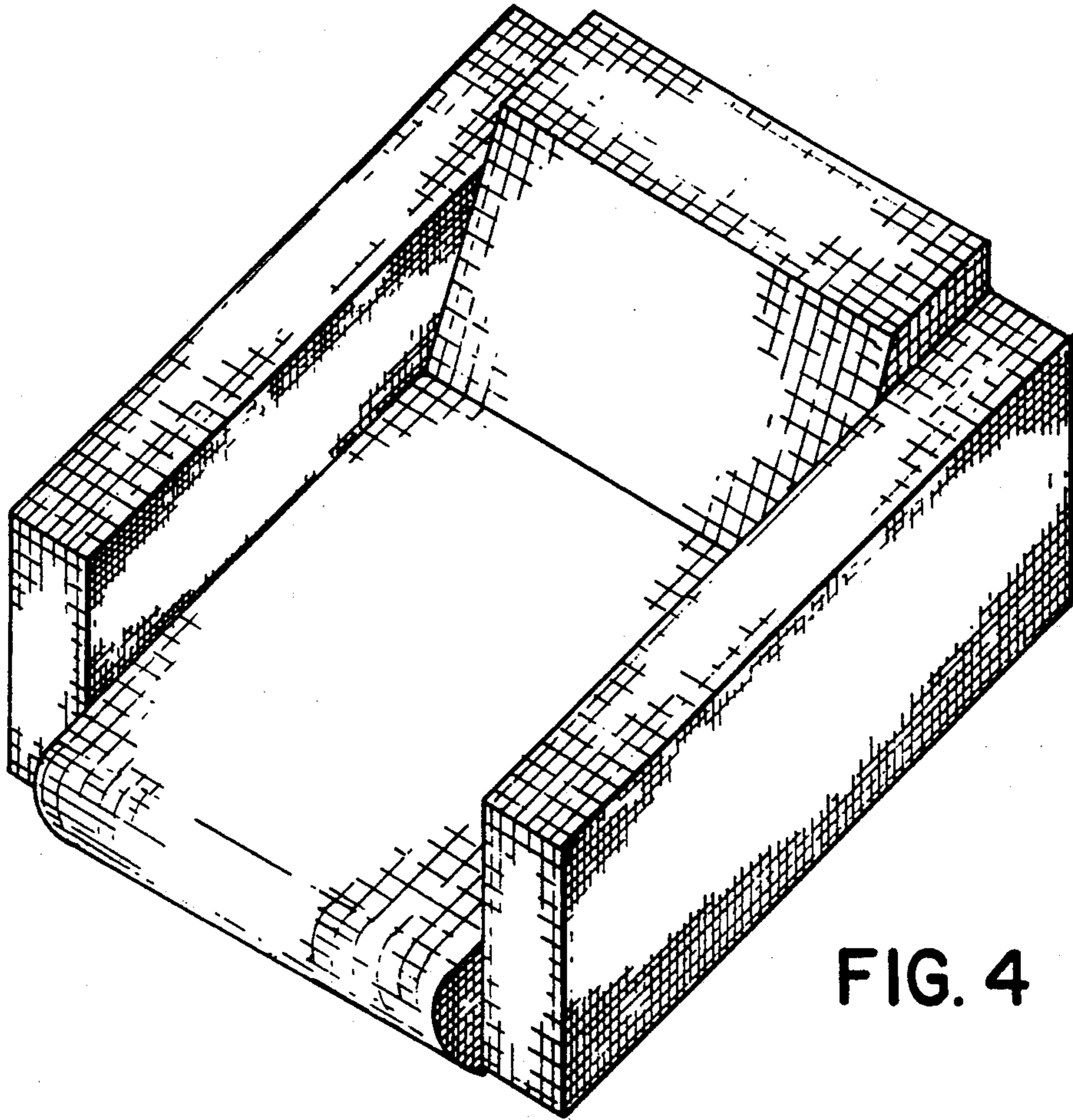


FIG. 4

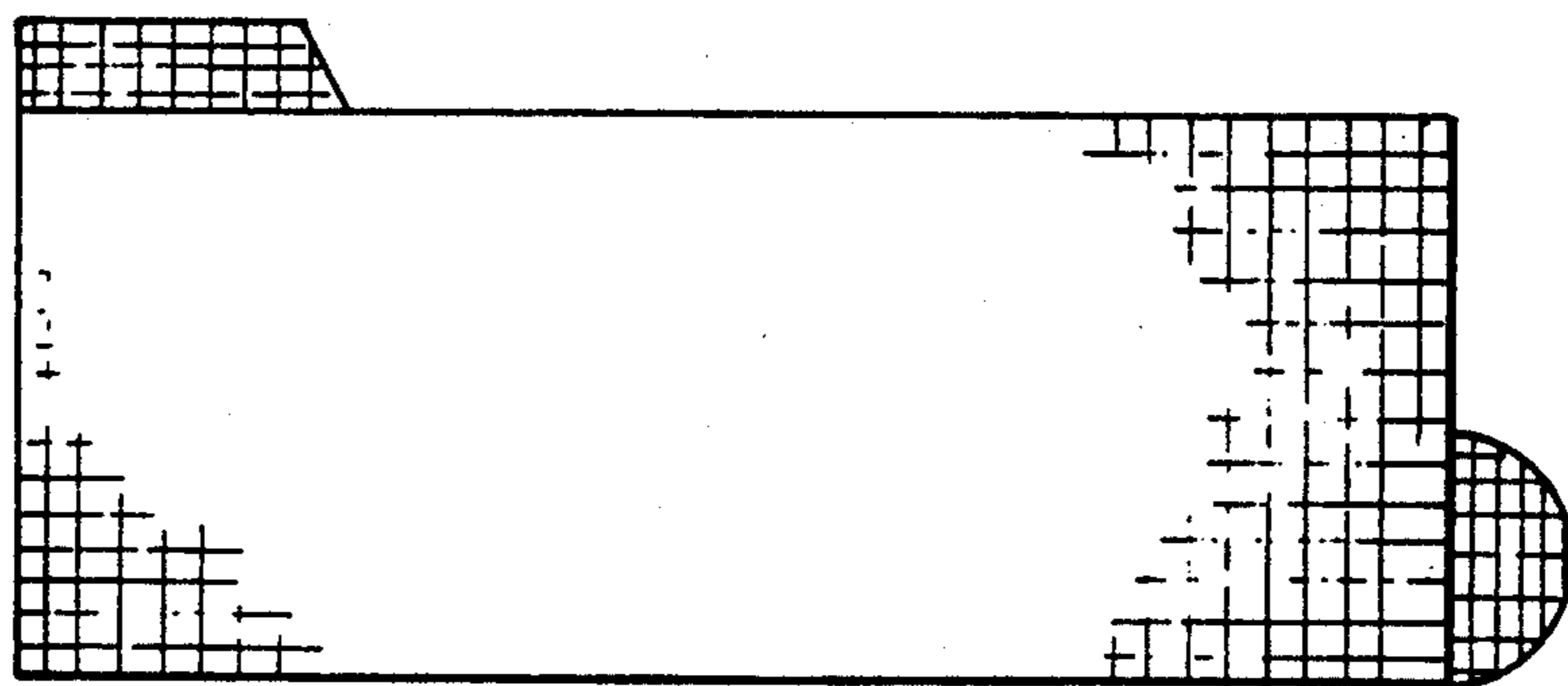


FIG. 5