



US00D335034S

United States Patent [19]

[11] Patent Number: **Des. 335,034**

Herman

[45] Date of Patent: **** Apr. 27, 1993**

[54] STACKABLE BAR STOOL

[76] Inventor: **James G. Herman**, 42 N. Moore St.,
New York, N.Y. 10013.

[**] Term: **14 Years**

[21] Appl. No.: **611,001**

[22] Filed: **Nov. 7, 1990**

[52] U.S. Cl. **D6/360; D6/349**

[58] Field of Search **D6/349, 350, 352-355,
D6/360; D9/434, 499; 297/17, 461**

[56] References Cited

U.S. PATENT DOCUMENTS

D. 106,216	9/1937	Salomon	D6/349
D. 141,379	5/1945	Panzer	D6/352
D. 160,129	9/1950	Scott	D6/349
D. 234,476	3/1975	Rosen	D6/352
1,231,386	6/1917	Kuczabowski	297/17

OTHER PUBLICATIONS

House & Garden, Mar. 1988, p. 59, Champaign top copy
in design library.

Primary Examiner—Nelson C. Holtje
Assistant Examiner—J. E. Seeger
Attorney, Agent, or Firm—Michael Ebert

[57] CLAIM

The ornamental design for a stackable bar stool, as
shown and described.

DESCRIPTION

FIG. 1 is a perspective view of a stackable bar stool,
showing my new design;
FIG. 2 is a top view of the stool;
FIG. 3 is an elevational view facing one side of the
stool; and,
FIG. 4 is a rear elevational view thereof.

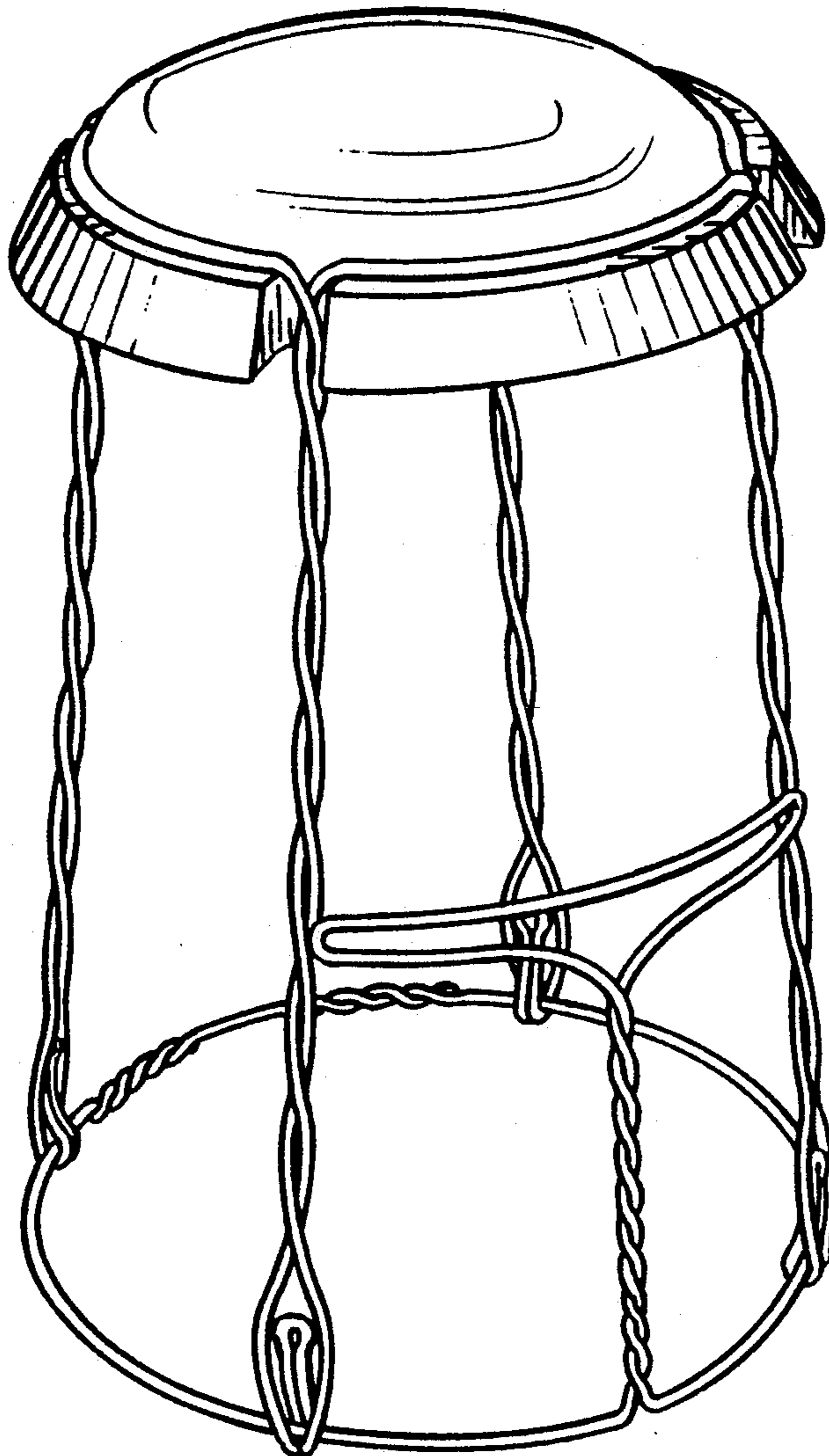


Fig. 1.

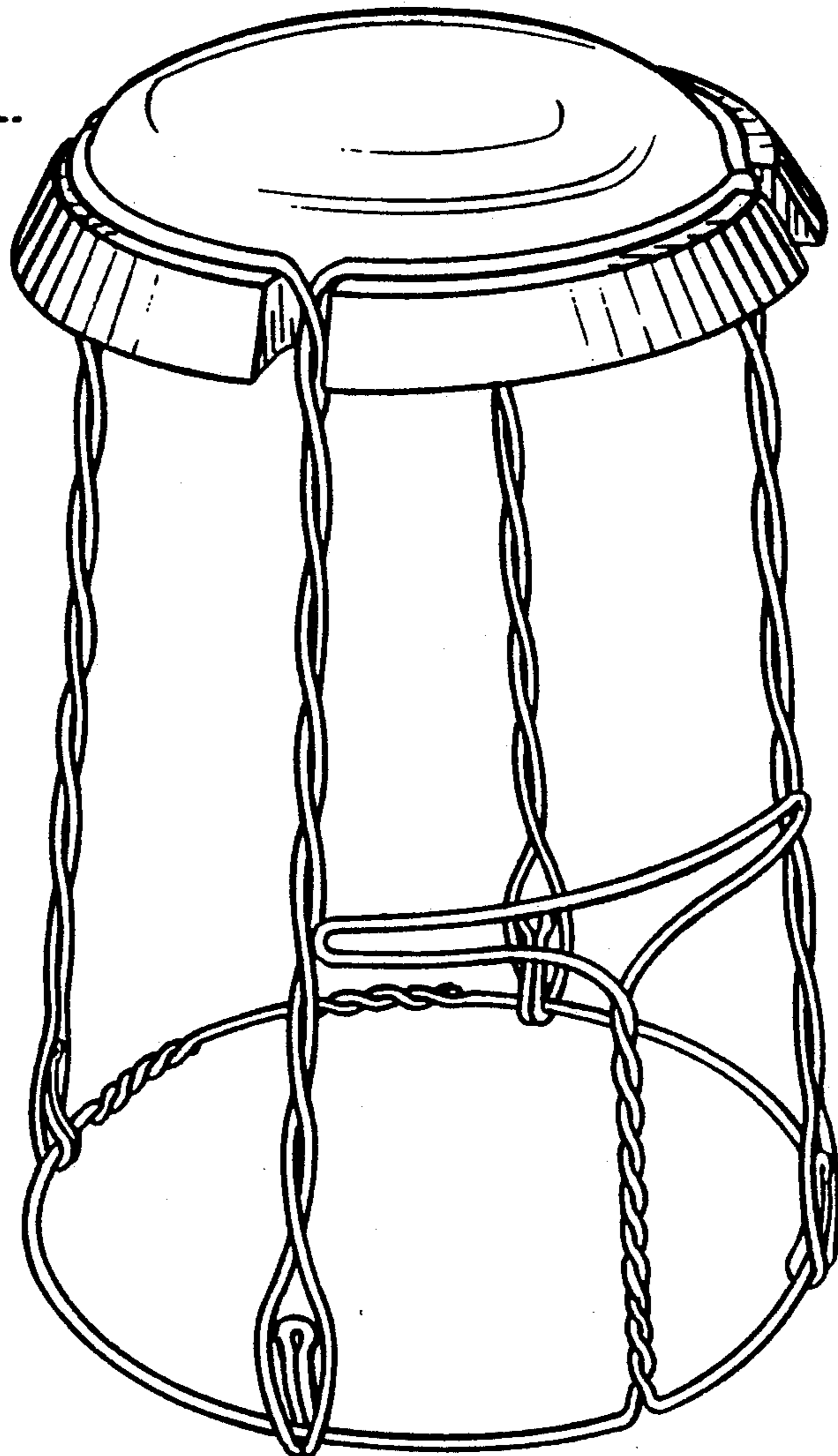


Fig. 2.

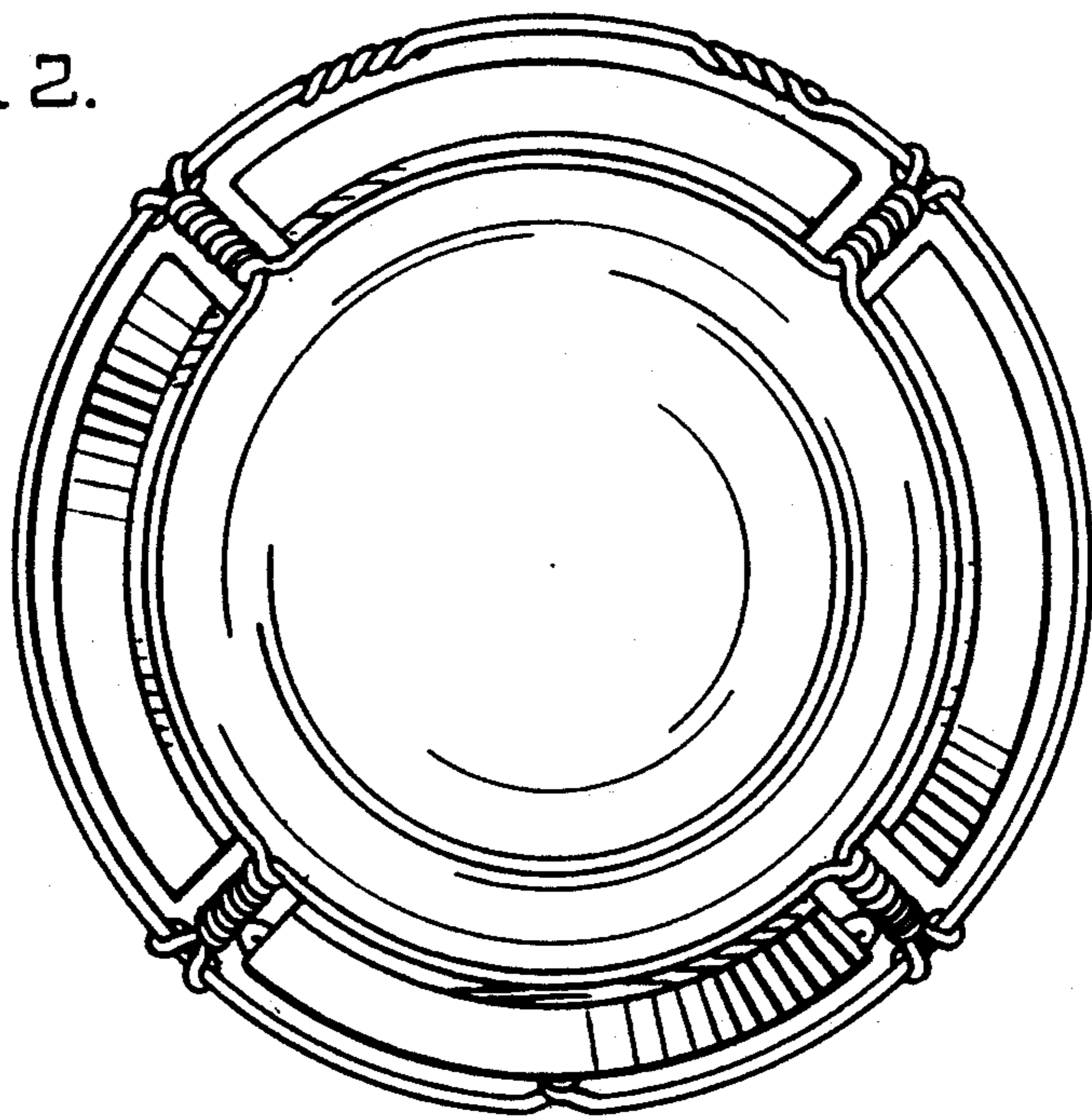


Fig. 4.

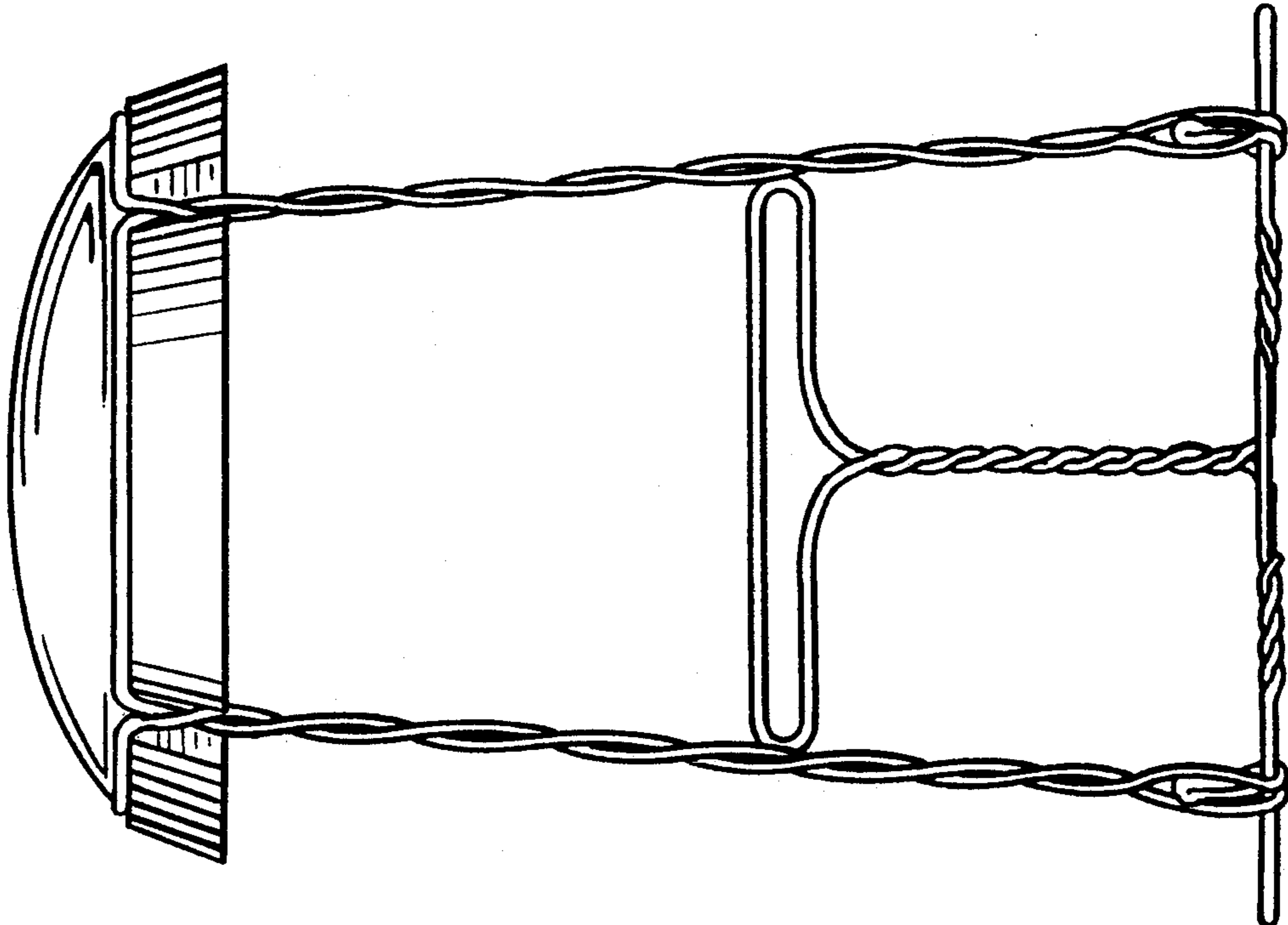


Fig. 3.

