



US00D335029S

# United States Patent [19]

[11] Patent Number: **Des. 335,029**

Gerding

[45] Date of Patent: **\*\* Apr. 27, 1993**

[54] **TRUNK TOOL CARRIER**

D. 294,773 3/1988 Beaty ..... D2/23  
4,119,181 10/1978 Jones ..... D3/70

[76] Inventor: **Eugene E. Gerding**, 2 Darmouth Dr.,  
Ft. Mitchell, Ky. 41017

*Primary Examiner*—Louis S. Zarfaz  
*Attorney, Agent, or Firm*—Leon Gilden

[\*\*] Term: **14 Years**

[57] **CLAIM**

[21] Appl. No.: **555,155**

The ornamental design for a trunk tool carrier, as shown and described.

[22] Filed: **Jul. 20, 1990**

[52] U.S. Cl. .... **D3/70; D3/40**

[58] Field of Search ..... **D3/40, 70, 23, 30.5;**  
**224/42.11, 42.42; D9/420, 423; 190/19, 39,**  
**100, 115**

**DESCRIPTION**

FIG. 1 is a front elevational view of the trunk tool carrier showing my new design;  
FIG. 2 is a rear elevational view thereof;  
FIG. 3 is a left side elevational view thereof;  
FIG. 4 is a right side elevational view thereof;  
FIG. 5 is a top plan view thereof; and,  
FIG. 6 is a bottom plan view thereof.

[56] **References Cited**

**U.S. PATENT DOCUMENTS**

D. 86,286 2/1932 Struck et al. .... D3/70

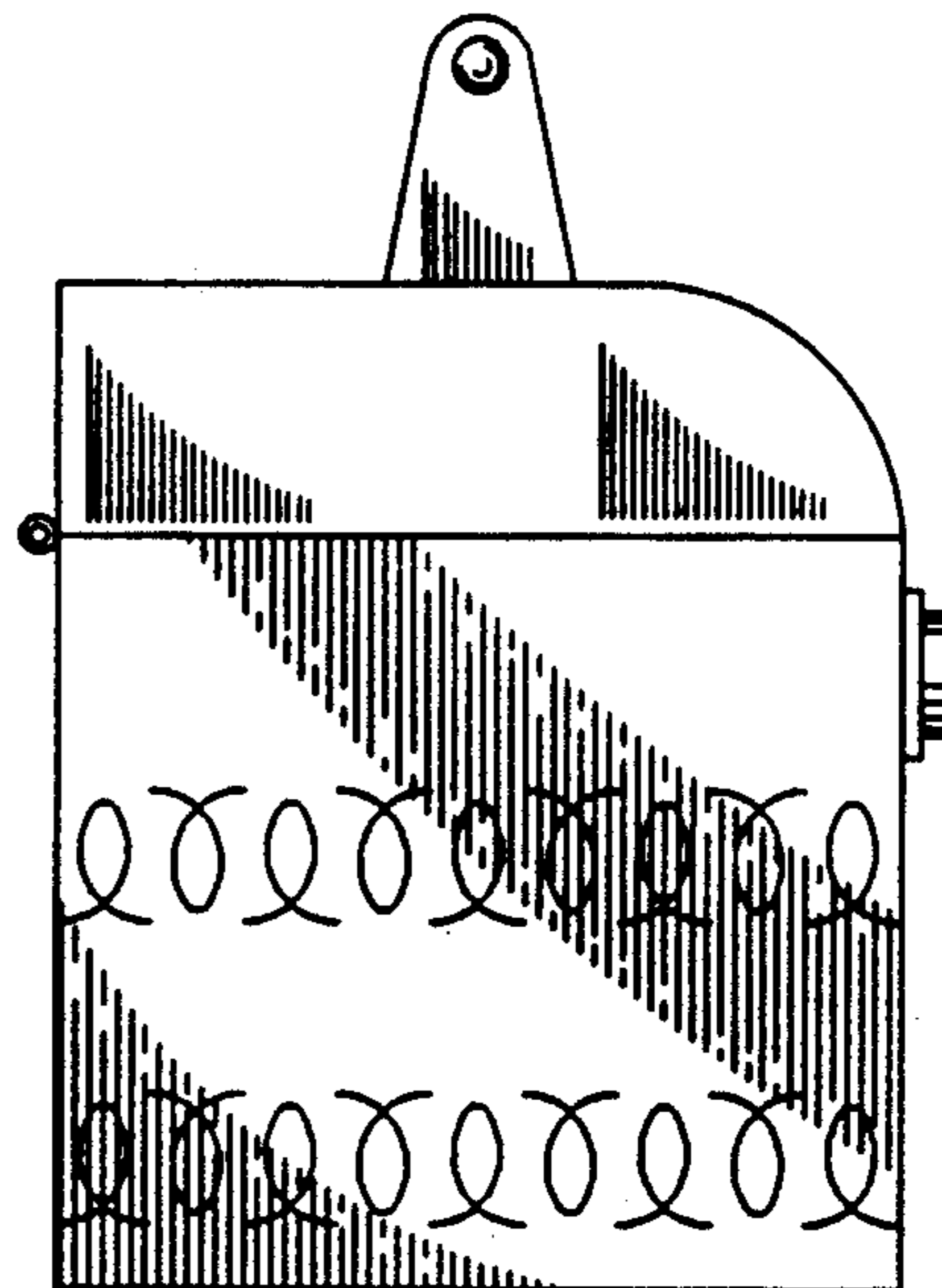
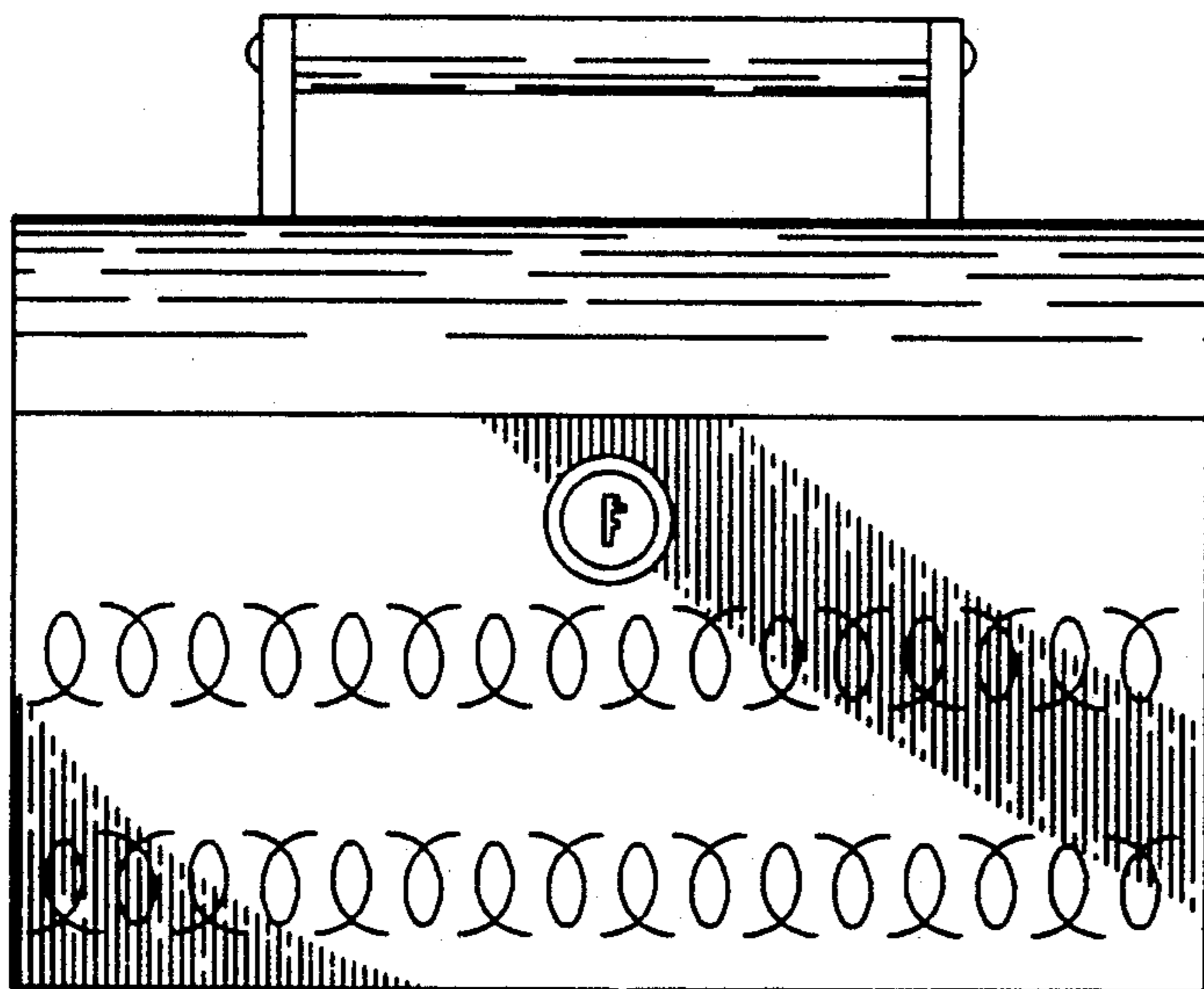


FIG. 1

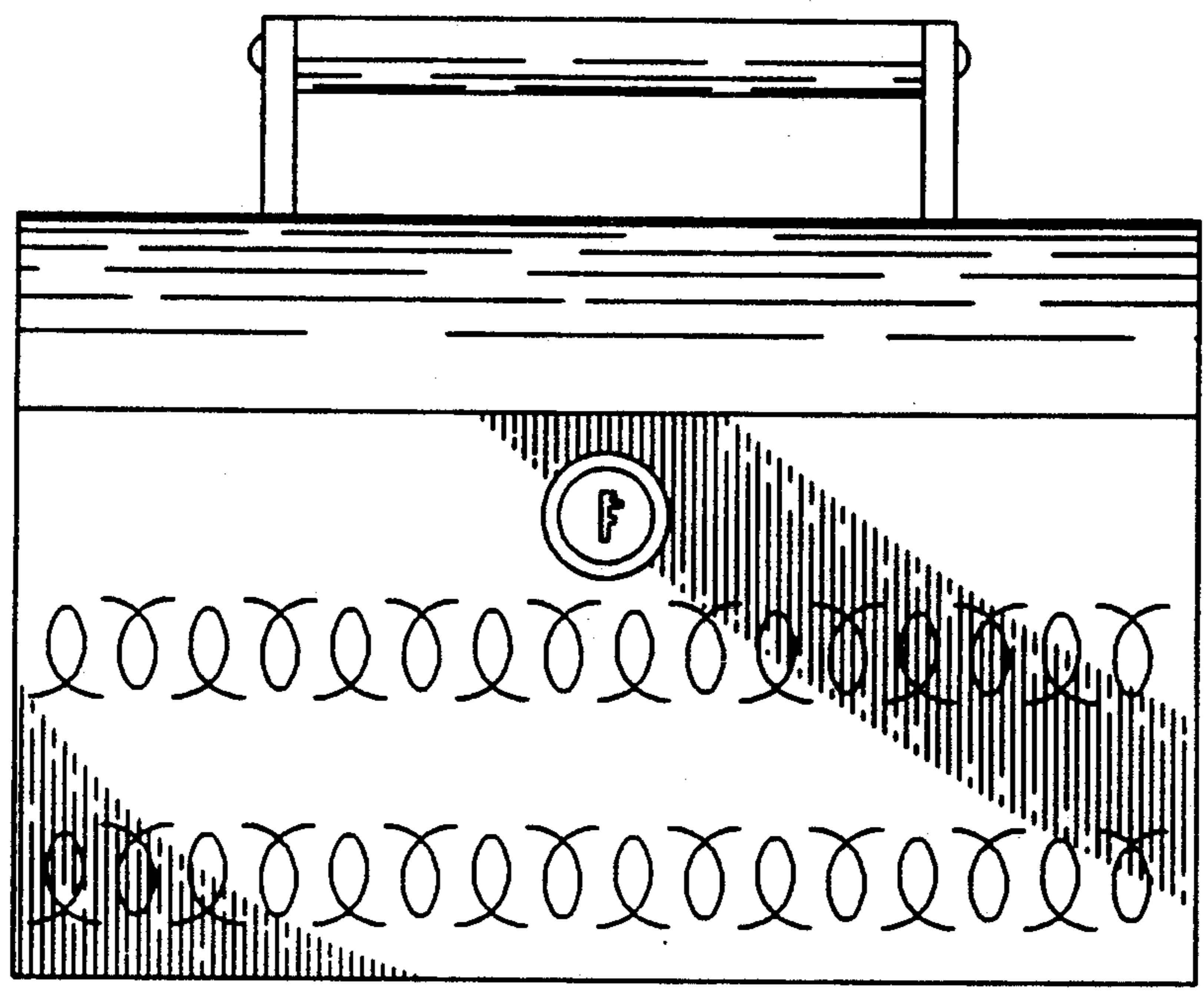


FIG. 2

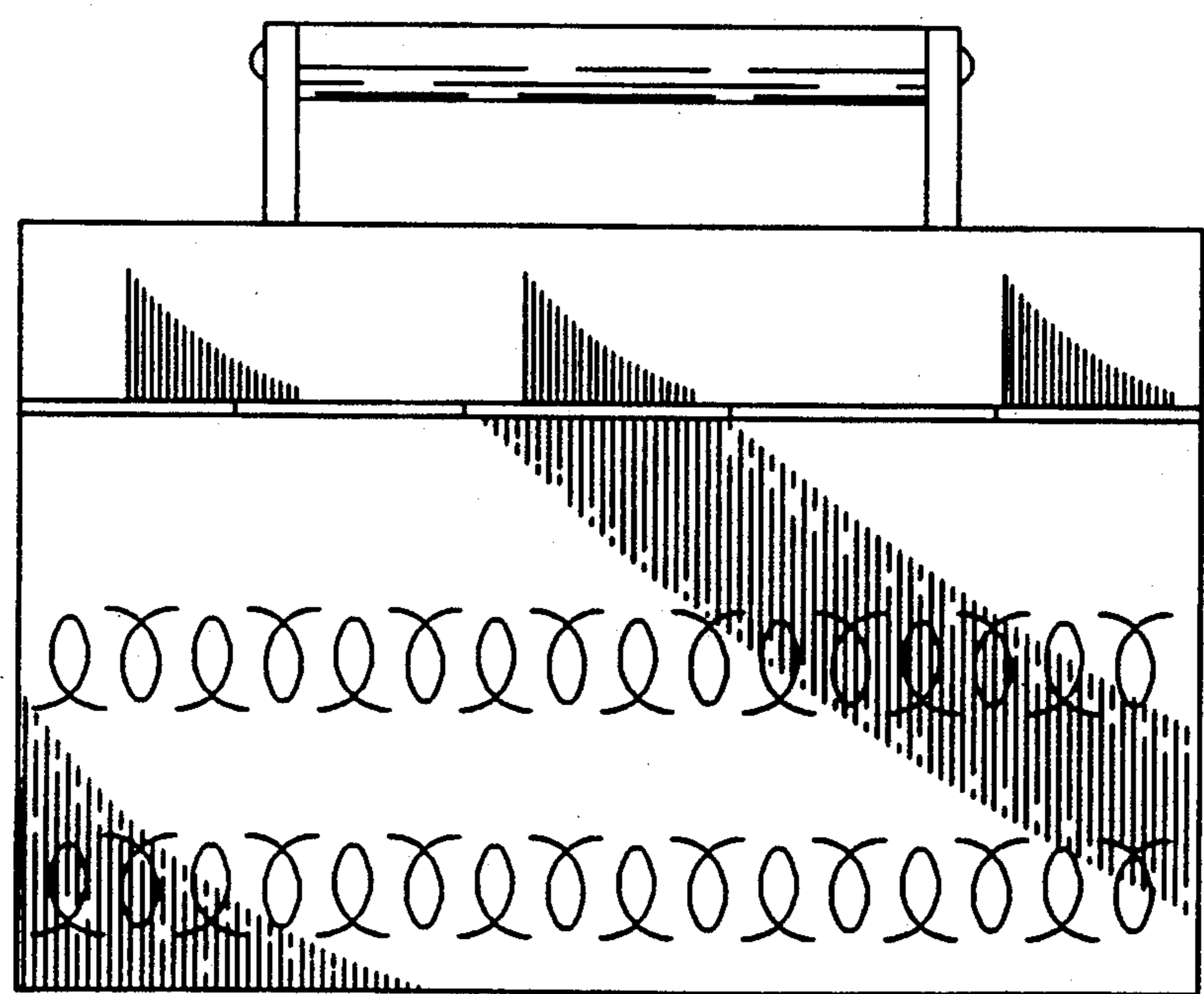


FIG. 3

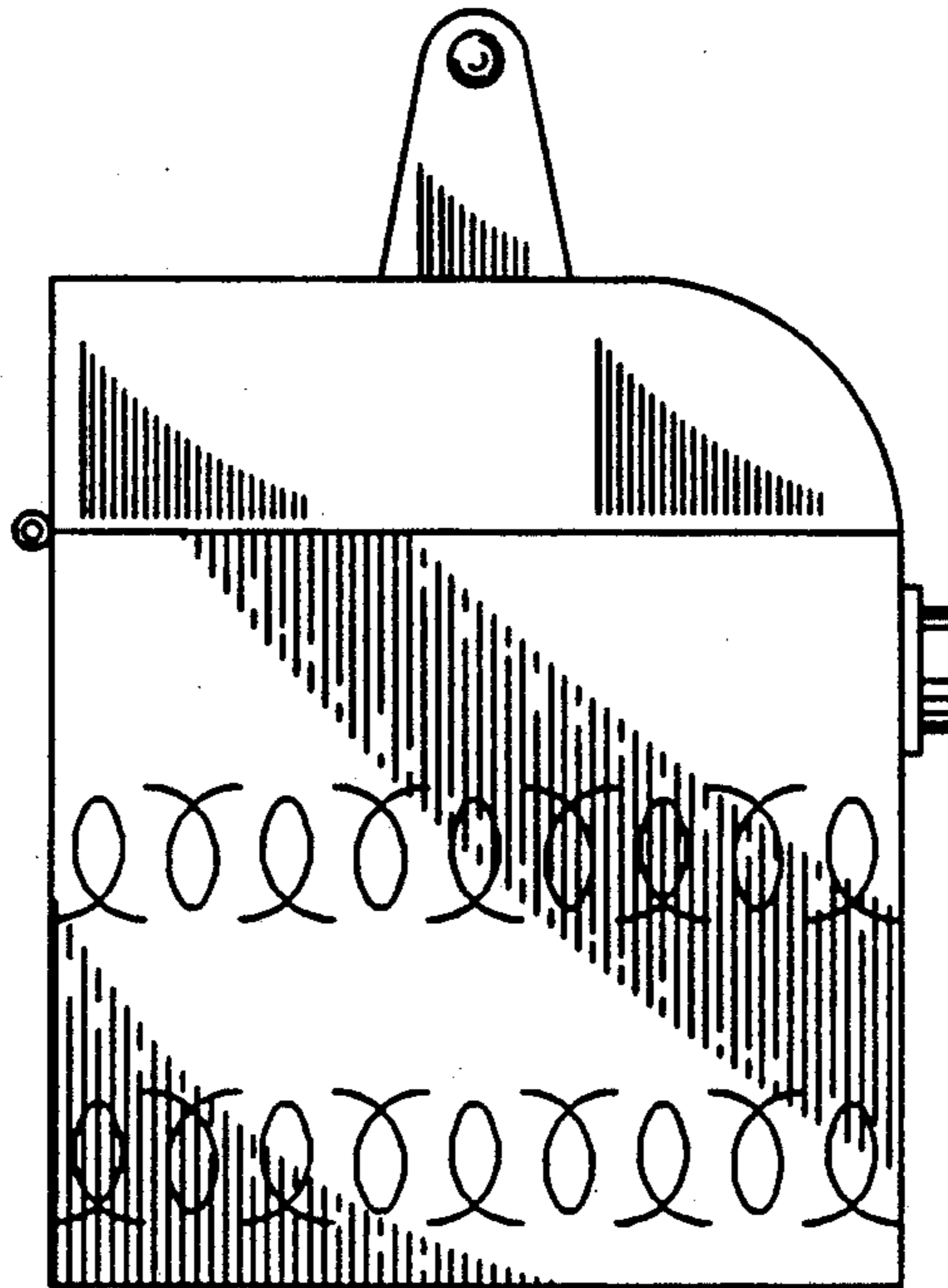


FIG. 4

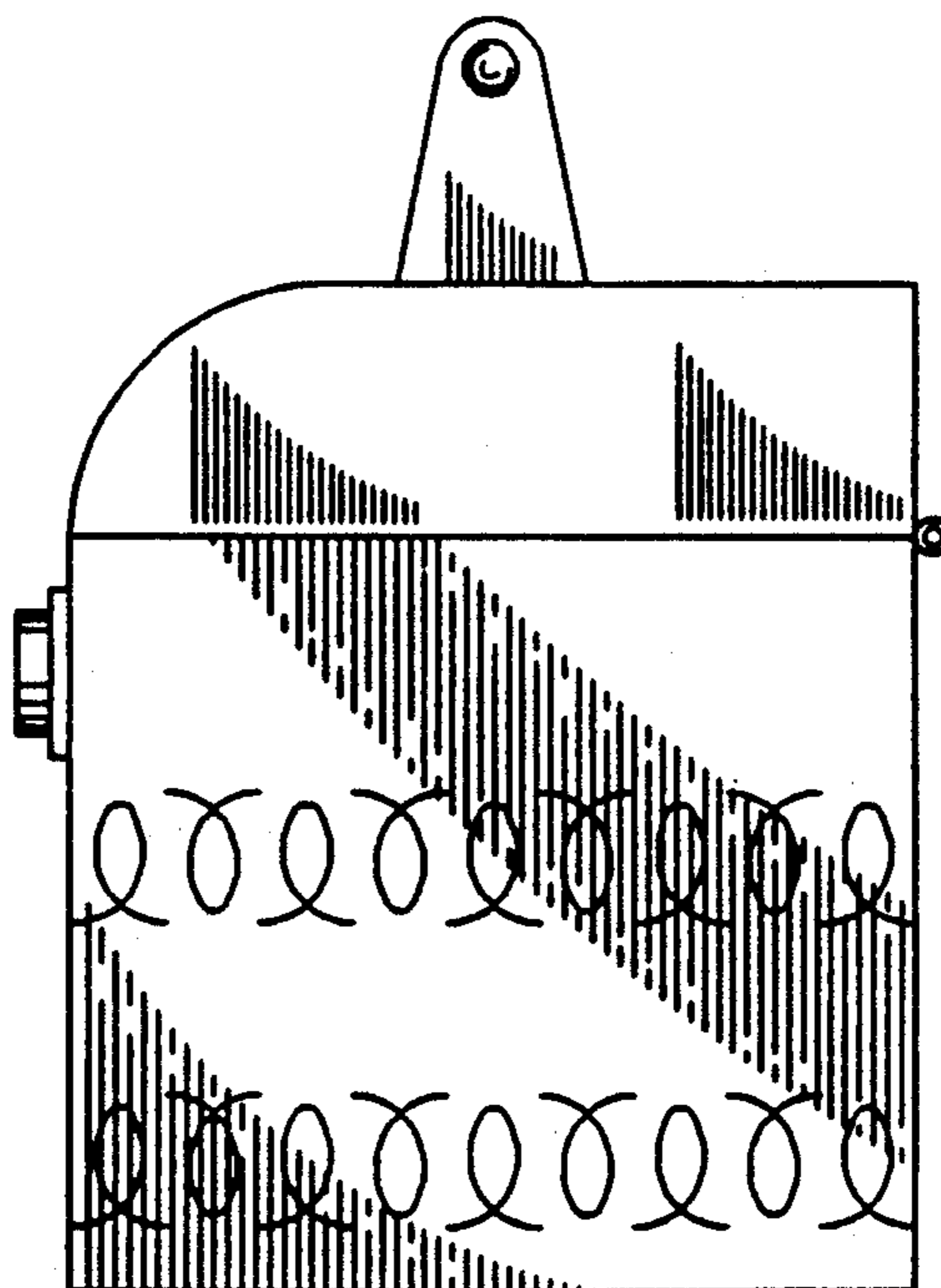


FIG. 5

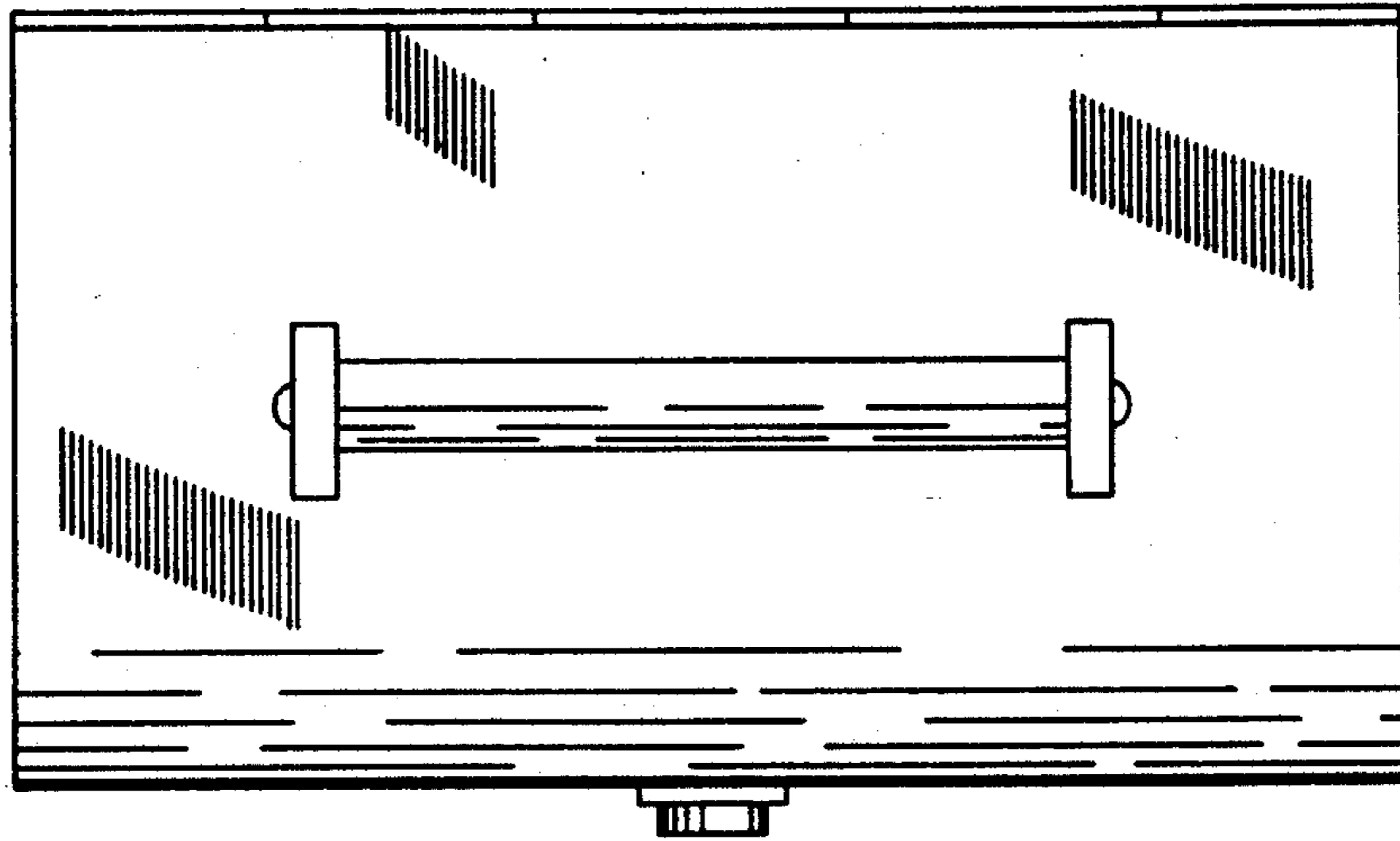


FIG. 6

