



US00D335018S

United States Patent [19]

[11] Patent Number: **Des. 335,018**

Avar

[45] Date of Patent: **** Apr. 27, 1993**

[54] SHOE MIDSOLE

[75] Inventor: **Eric P. Avar, Hillsboro, Oreg.**

[73] Assignee: **Nike, Inc., Beaverton, Oreg.**

[**] Term: **14 Years**

[21] Appl. No.: **905,660**

[22] Filed: **Jul. 1, 1992**

[52] U.S. Cl. **D2/314**

[58] Field of Search **D2/264, 265, 308-314, D2/317-323; 36/25 R, 28, 29, 32 R, 43-45, 83, 84, 89, 101-107, 112-114, 132, 136**

[56] **References Cited**

U.S. PATENT DOCUMENTS

D. 286,342	10/1986	Stubblefield	D2/320
D. 296,151	6/1988	Mourad	D2/320
D. 296,493	7/1988	Diaz	D2/318
D. 307,212	4/1990	Aveni	D2/320
D. 310,442	9/1990	Hatfield	D2/314
D. 311,637	10/1990	Hatfield	D2/314
D. 312,918	12/1990	Aveni	D2/314
D. 313,113	12/1990	Aveni	D2/320
D. 319,535	9/1991	Hatfield	D2/320
D. 321,585	11/1991	Rogers	D2/314
D. 321,776	11/1991	Hatfield	D2/314
D. 321,974	12/1991	Hatfield	D2/320
D. 322,506	12/1991	Rogers	D2/314
D. 324,294	3/1992	Hatfield	D2/314
D. 324,762	3/1992	Hatfield	D2/318
D. 325,289	4/1992	Aveni	D2/314
D. 325,464	4/1992	Smith	D2/314
D. 327,164	6/1992	Hatfield	D2/320

OTHER PUBLICATIONS

Nike Catalogs—Spring 1989, p. 90, Fall 1989, pp. 84, 86; Spring 1990, pp. 8, 64, 72, 96. Fall 1990 Nike Catalog, pp. 56, 96, 98. Spring 1992 Nike Catalog, pp. 44, 46, 64, 96. Fall 1992 Nike Catalog, pp. 34, 52, 54, 84, 102, 126. Fall 1991 Nike Catalog, pp. 12, 46, 100, 104. Spring 1991 Nike Catalog, pp. 58, 62, 90, 94.

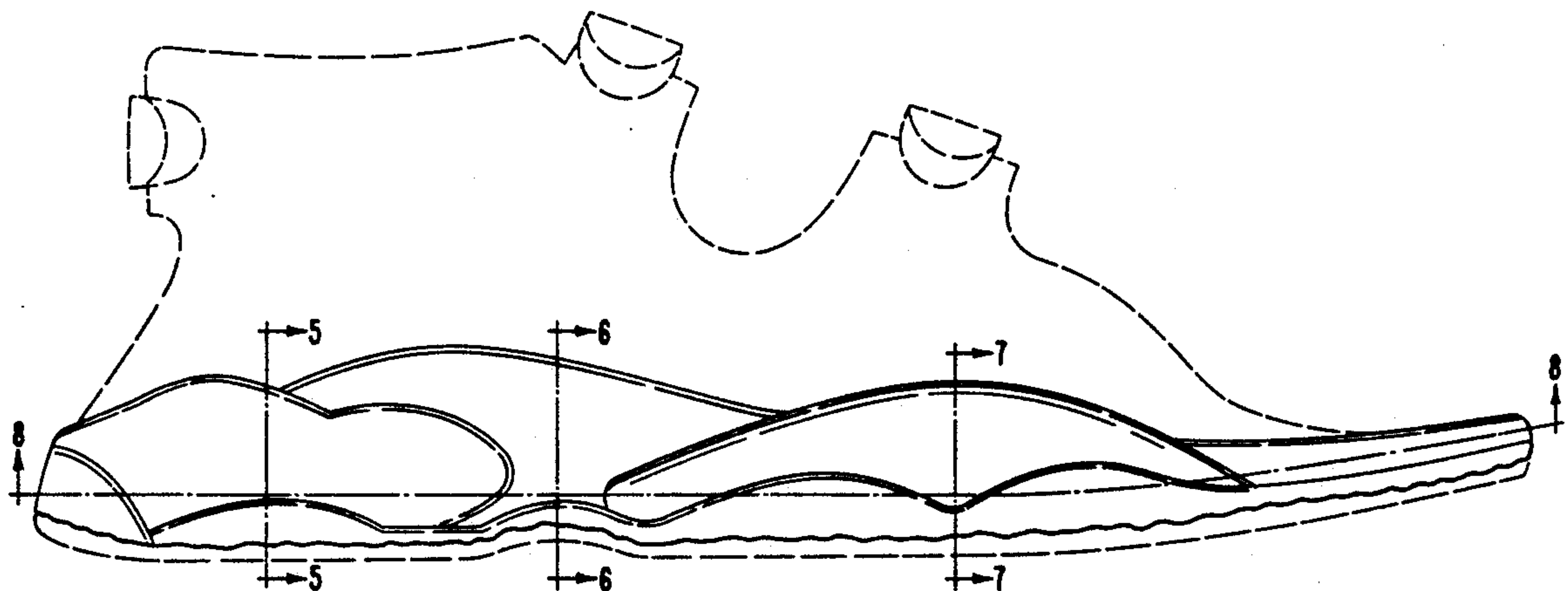
Primary Examiner—Louis S. Zarfes
Attorney, Agent, or Firm—Banner, Birch, McKie & Beckett

[57] **CLAIM**

The ornamental design for a shoe midsole, as shown and described.

DESCRIPTION

FIG. 1 is a side elevational view of a shoe midsole showing my new design; FIG. 2 is a side elevational view of the other side of the shoe midsole; FIG. 3 is a front elevational view of the shoe midsole; FIG. 4 is a rear elevational view of the shoe midsole; FIG. 5 is a cross section view taken through line 5—5 of FIG. 1; FIG. 6 is a cross section view taken through line 6—6 of FIG. 1; FIG. 7 is a cross section view taken through line 7—7 of FIG. 1; and, FIG. 8 is a cross sectional view taken through line 8—8 of FIG. 1. The broken lines showing the sole and upper portions of the shoe in FIGS. 1-7 are for illustrative purposes and form no part of the claimed design.



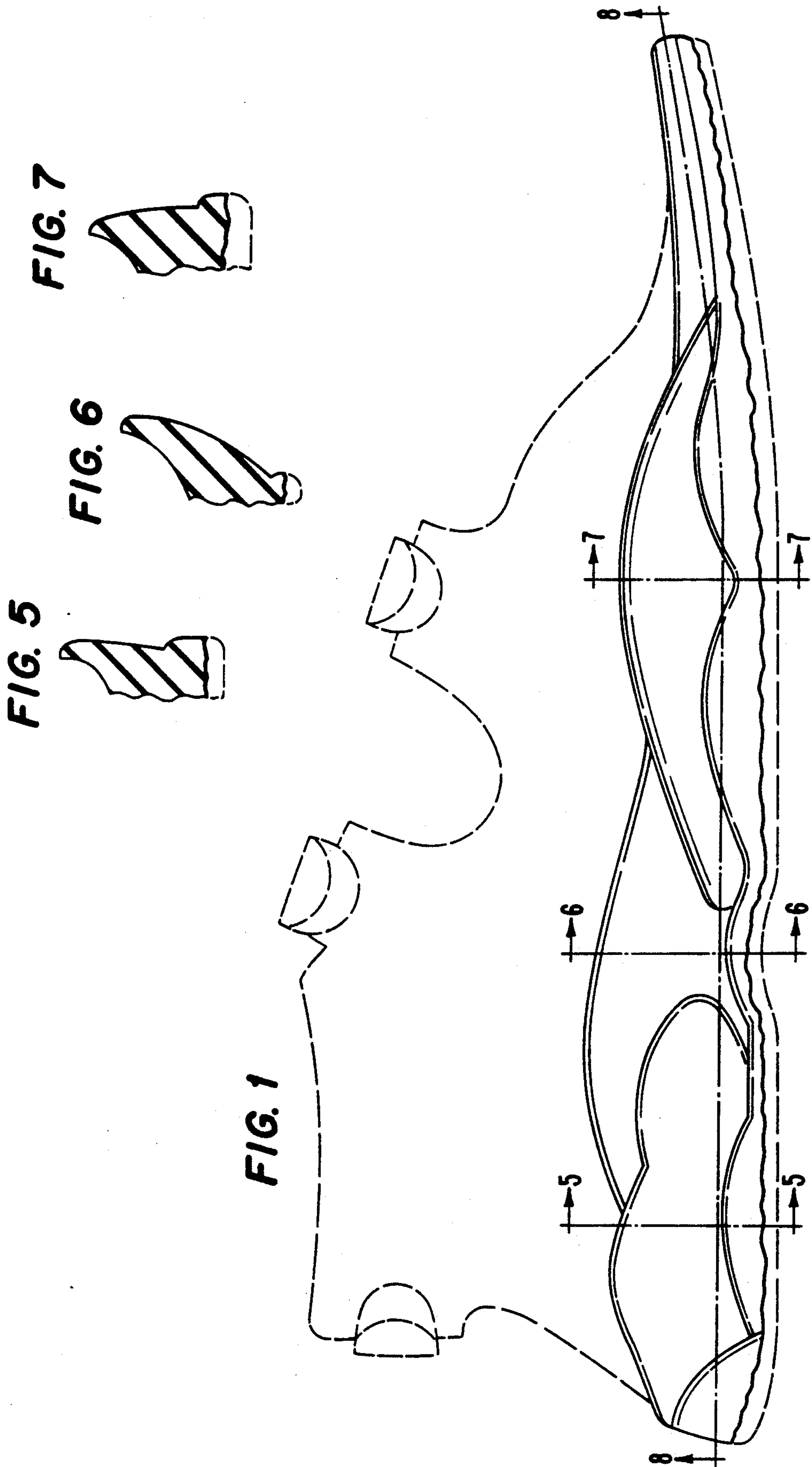


FIG. 2

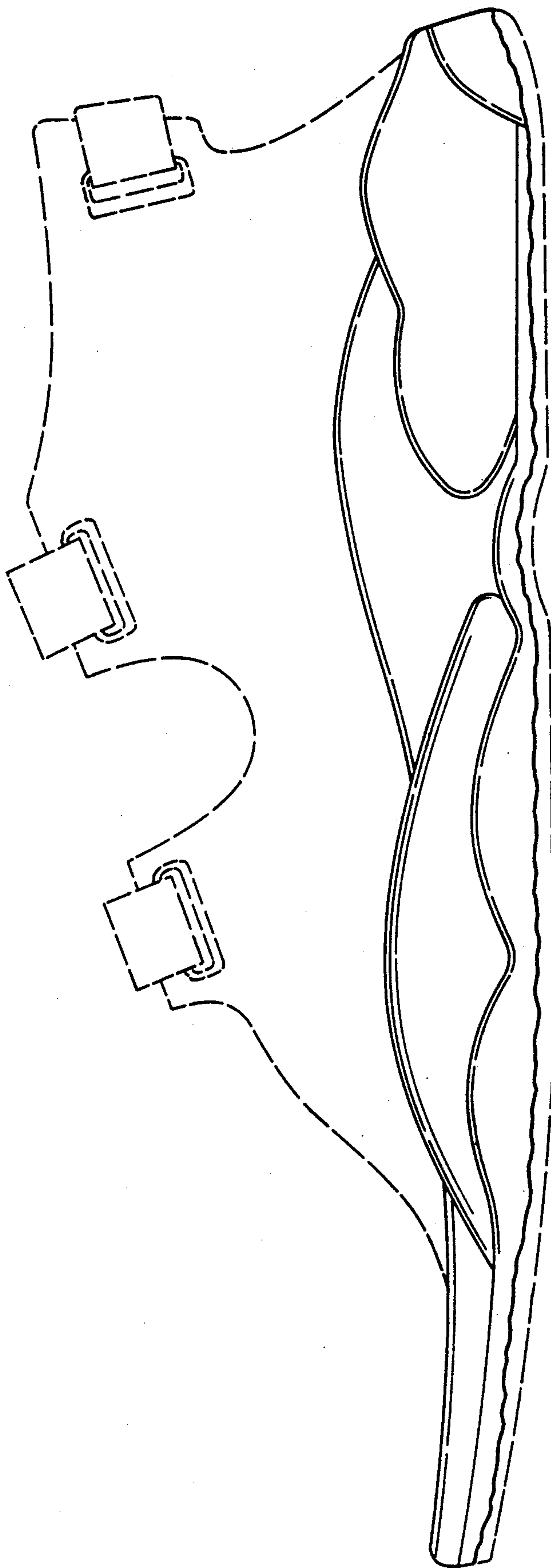


FIG. 4

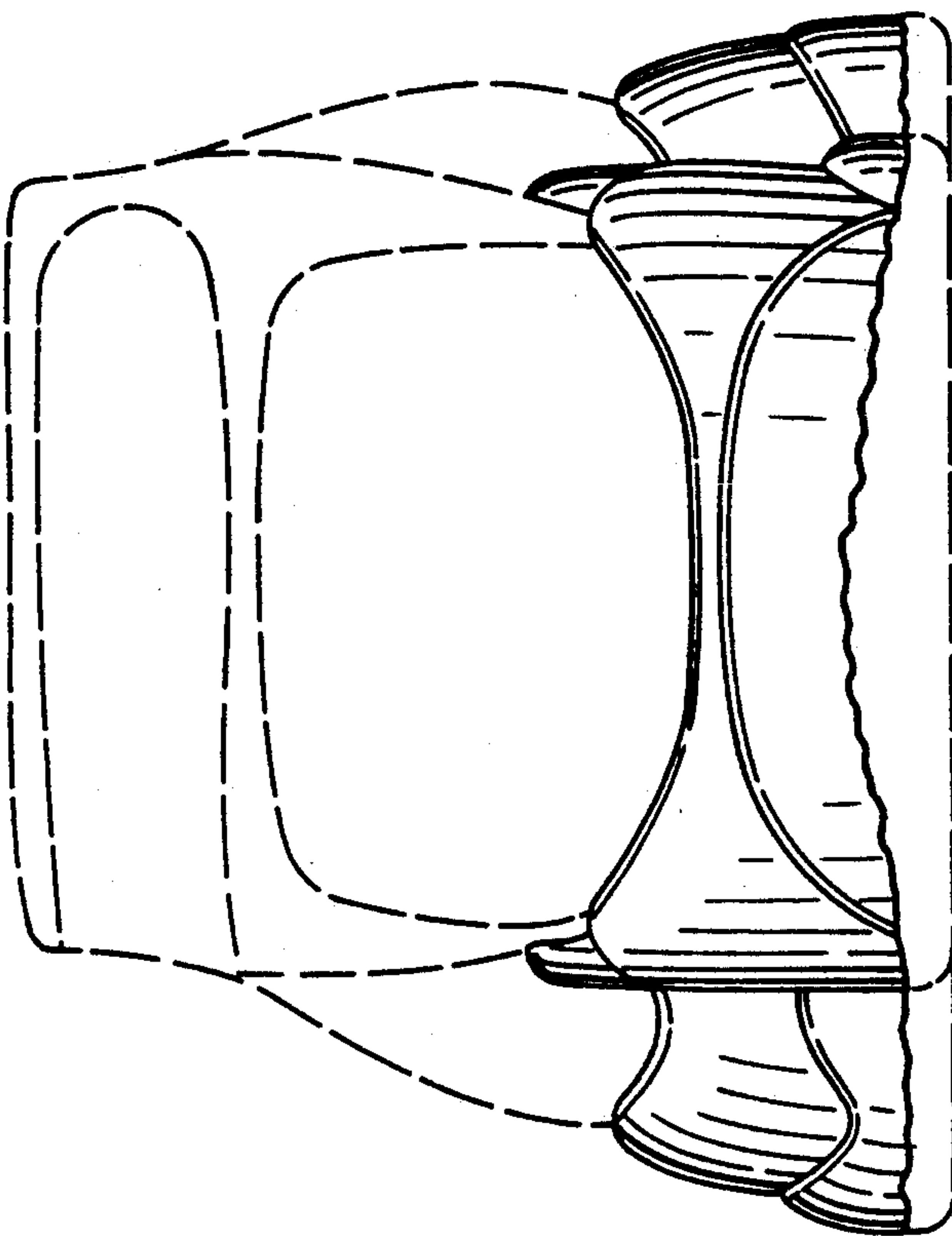


FIG. 3

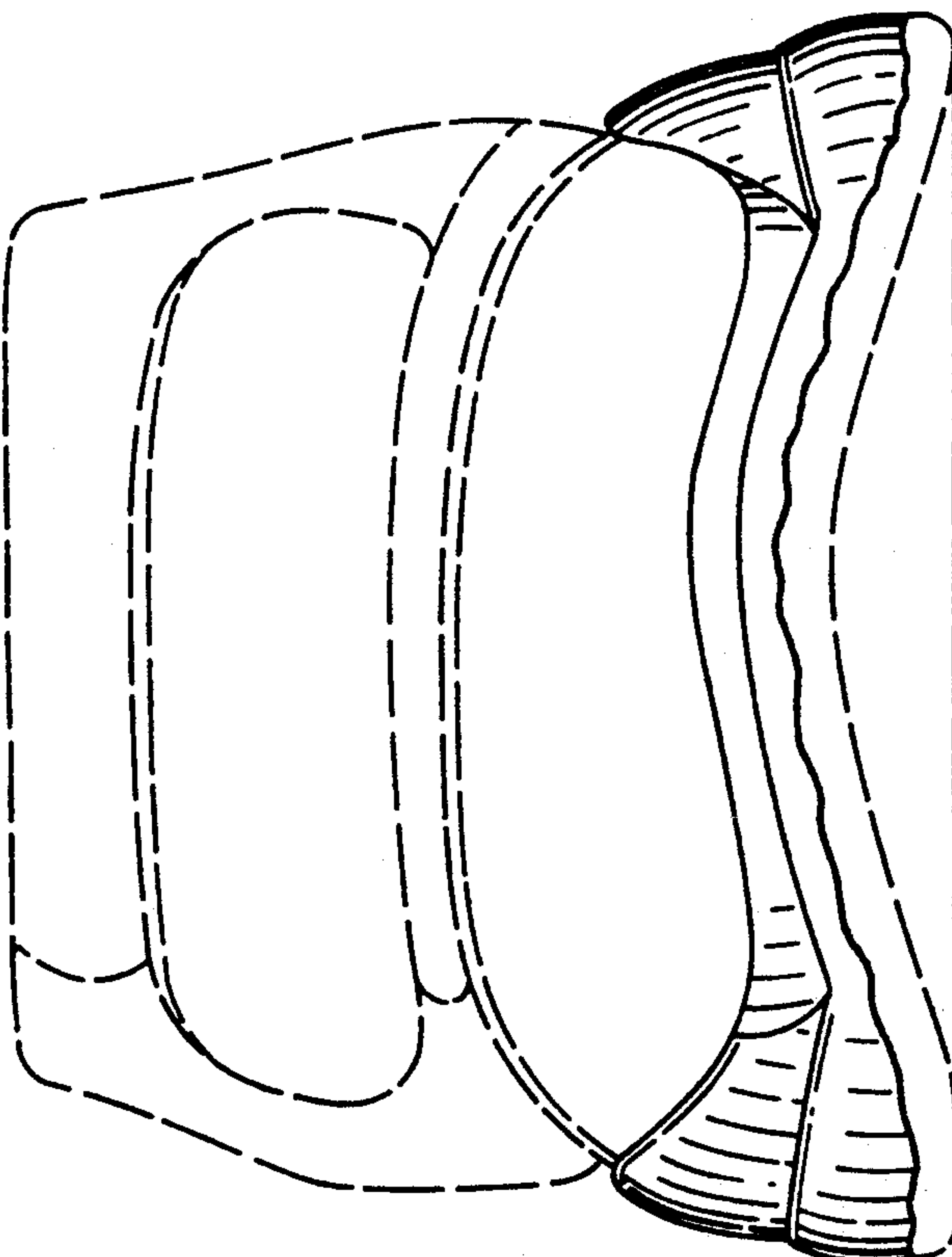


FIG. 8

