



US00D335012S

**United States Patent** [19]  
**Broussard**

[11] **Patent Number: Des. 335,012**  
[45] **Date of Patent: \*\* Apr. 20, 1993**

[54] **TRASH CONTAINER STORAGE CABINET**

[76] **Inventor: Norman J. Broussard, 1766 N. Claudia Ave., Simi Valley, Calif. 93065**

[\*\*] **Term: 14 Years**

[21] **Appl. No.: 710,903**

[22] **Filed: Jun. 5, 1991**

[52] **U.S. Cl. .... D34/7; D6/440**

[58] **Field of Search .... D34/1-11; 220/908, 909; 312/211, 290; D6/440, 441, 443**

[56] **References Cited**

**U.S. PATENT DOCUMENTS**

3,322,477	5/1967	Armijo .....	312/212
3,510,055	5/1970	Safford .....	312/211
4,650,089	3/1987	Sanders .....	220/908

**FOREIGN PATENT DOCUMENTS**

2733437 2/1979 Fed. Rep. of Germany ..... 312/211

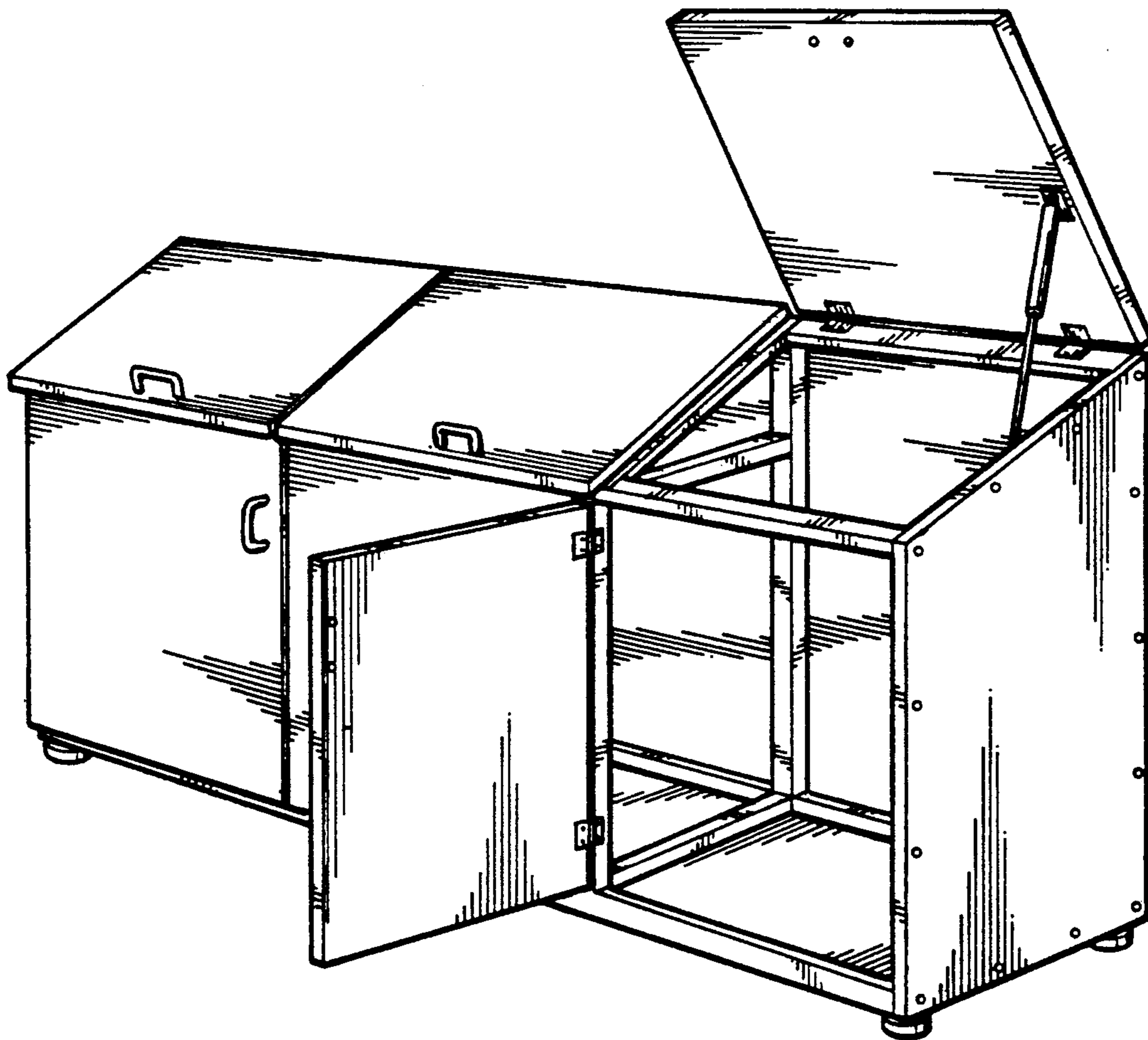
*Primary Examiner—Kay H. Chin*  
*Attorney, Agent, or Firm—Richard C. Litman*

[57] **CLAIM**

The ornamental design for a trash container storage cabinet, as shown and described.

**DESCRIPTION**

FIG. 1 is a front and top perspective view of a trash container storage cabinet showing my new design, with one lid and one front door in open condition; FIG. 2 is a front elevational view thereof; FIG. 3 is a rear elevational view thereof; FIG. 4 is a right side elevational view thereof, the left side elevational view being a mirror image; FIG. 5 is a top plan view thereof; and, FIG. 6 is a bottom plan view thereof.



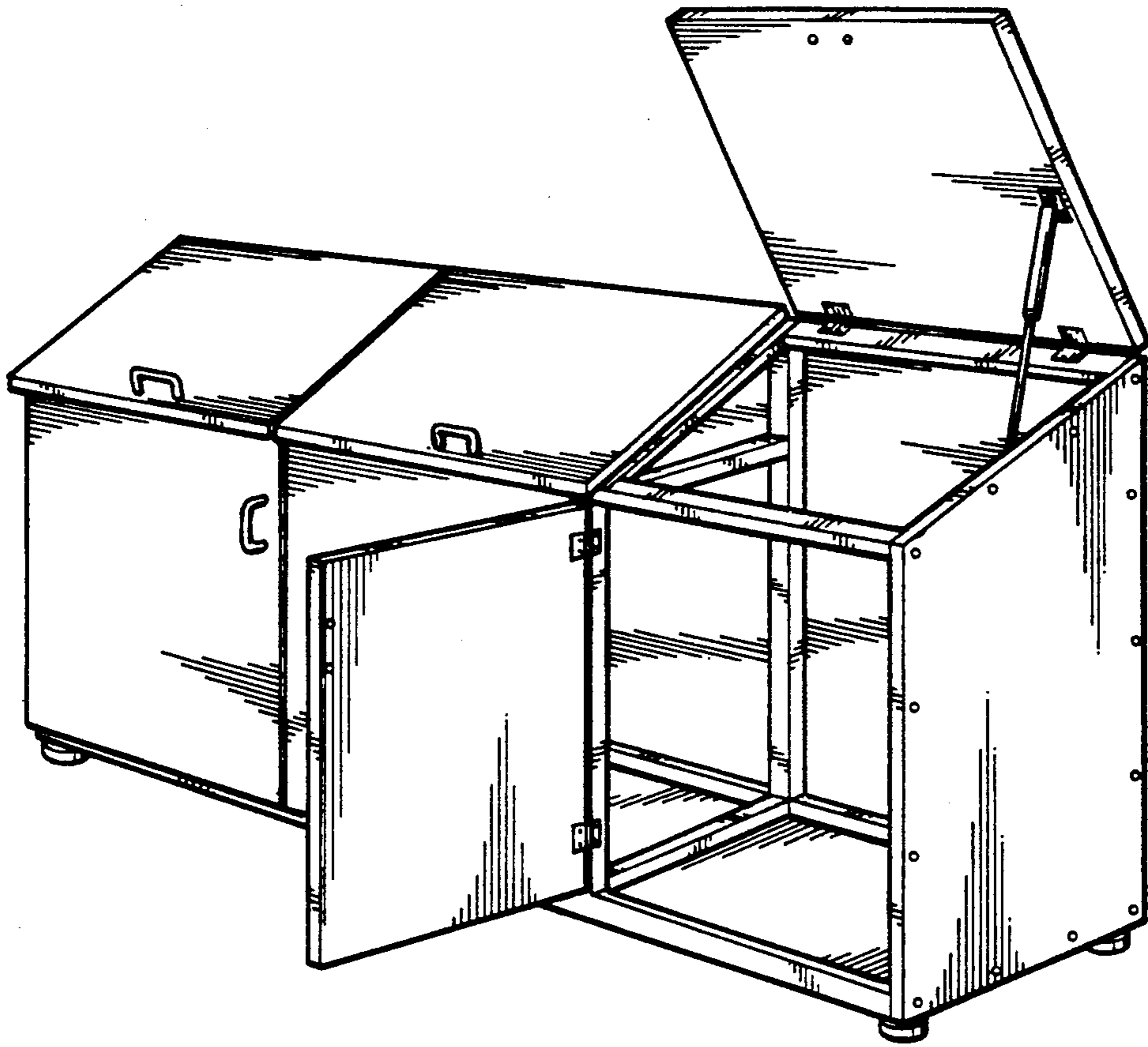


FIG. 1

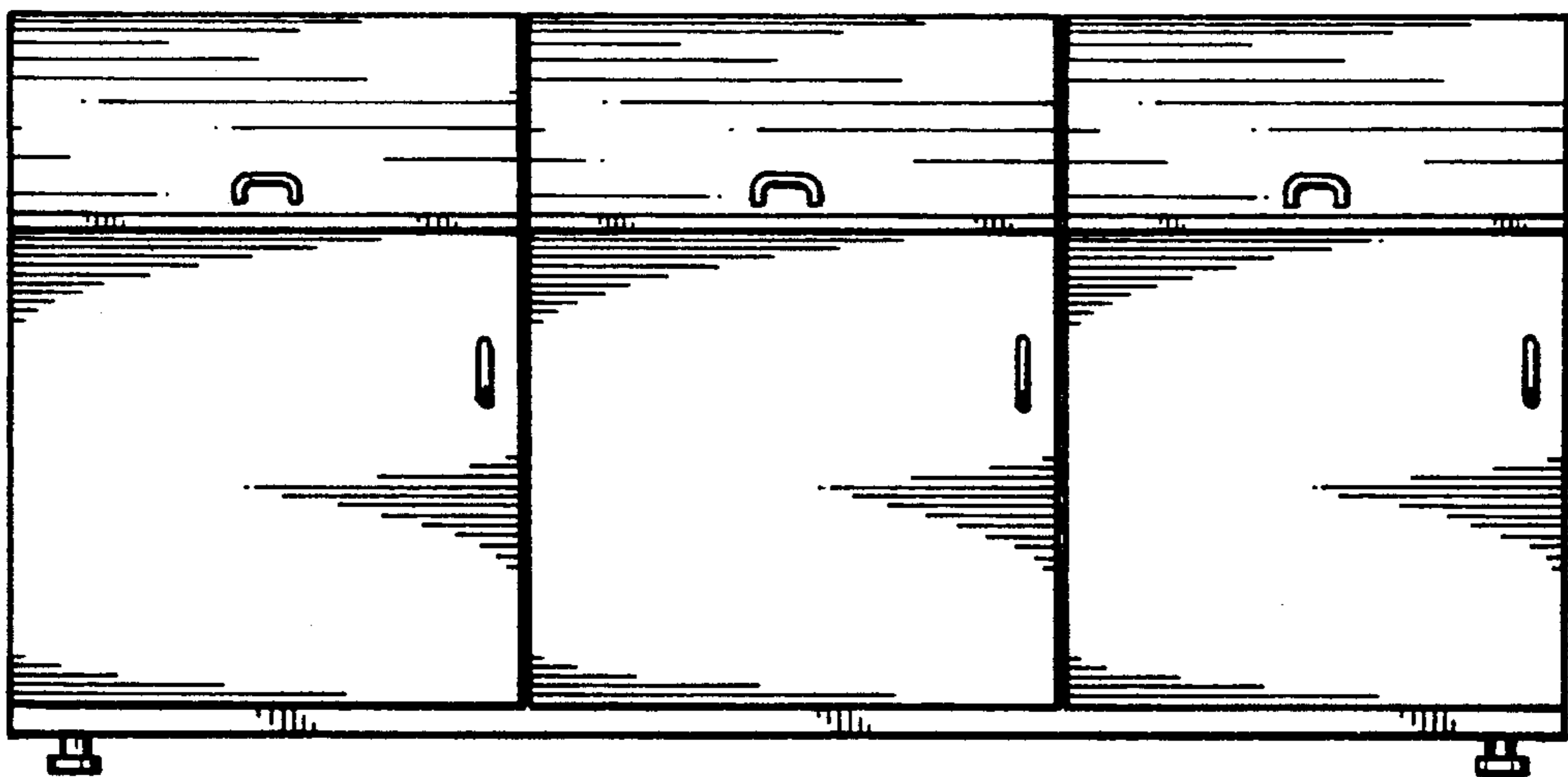


FIG. 2

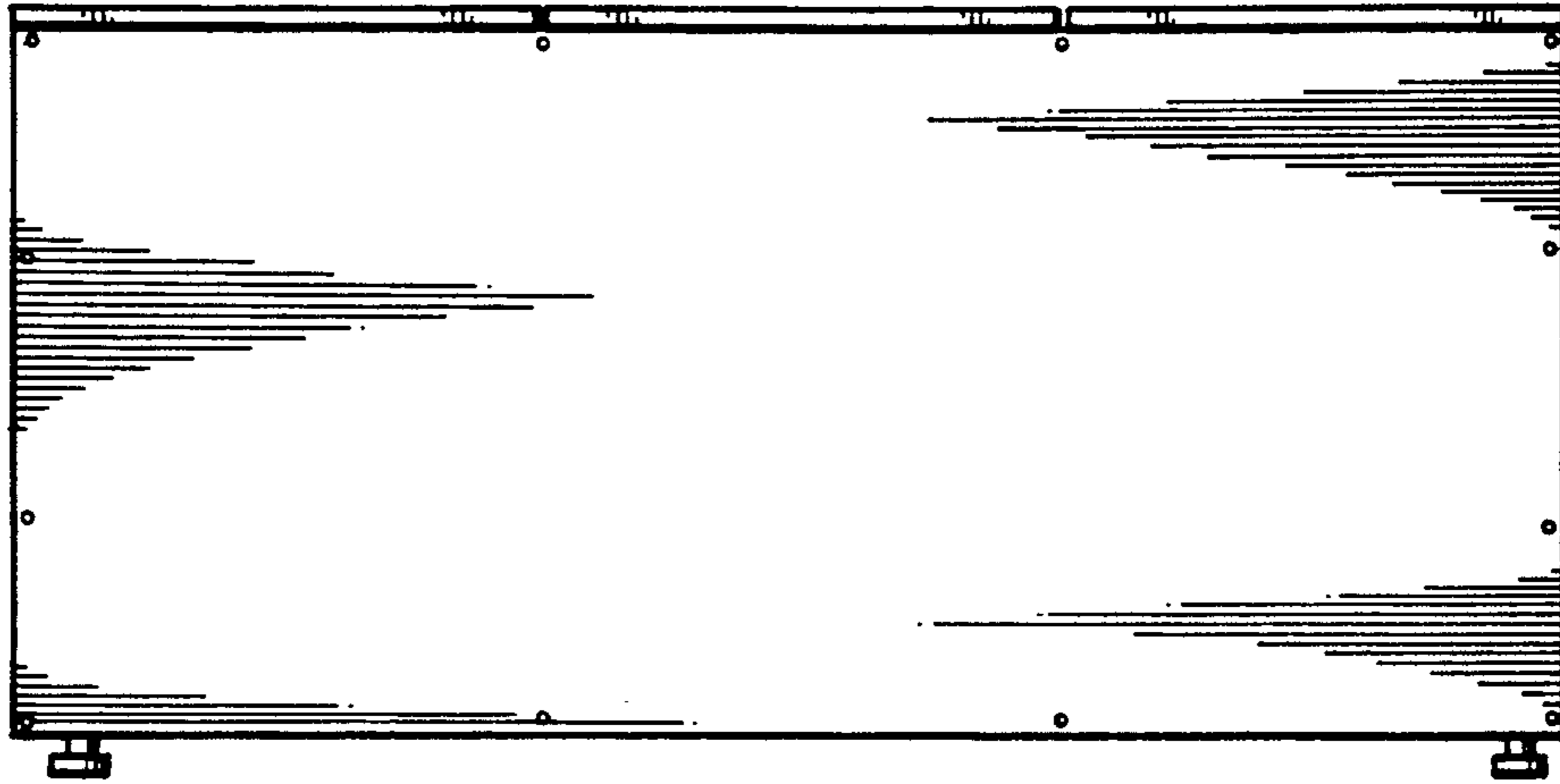


FIG. 3

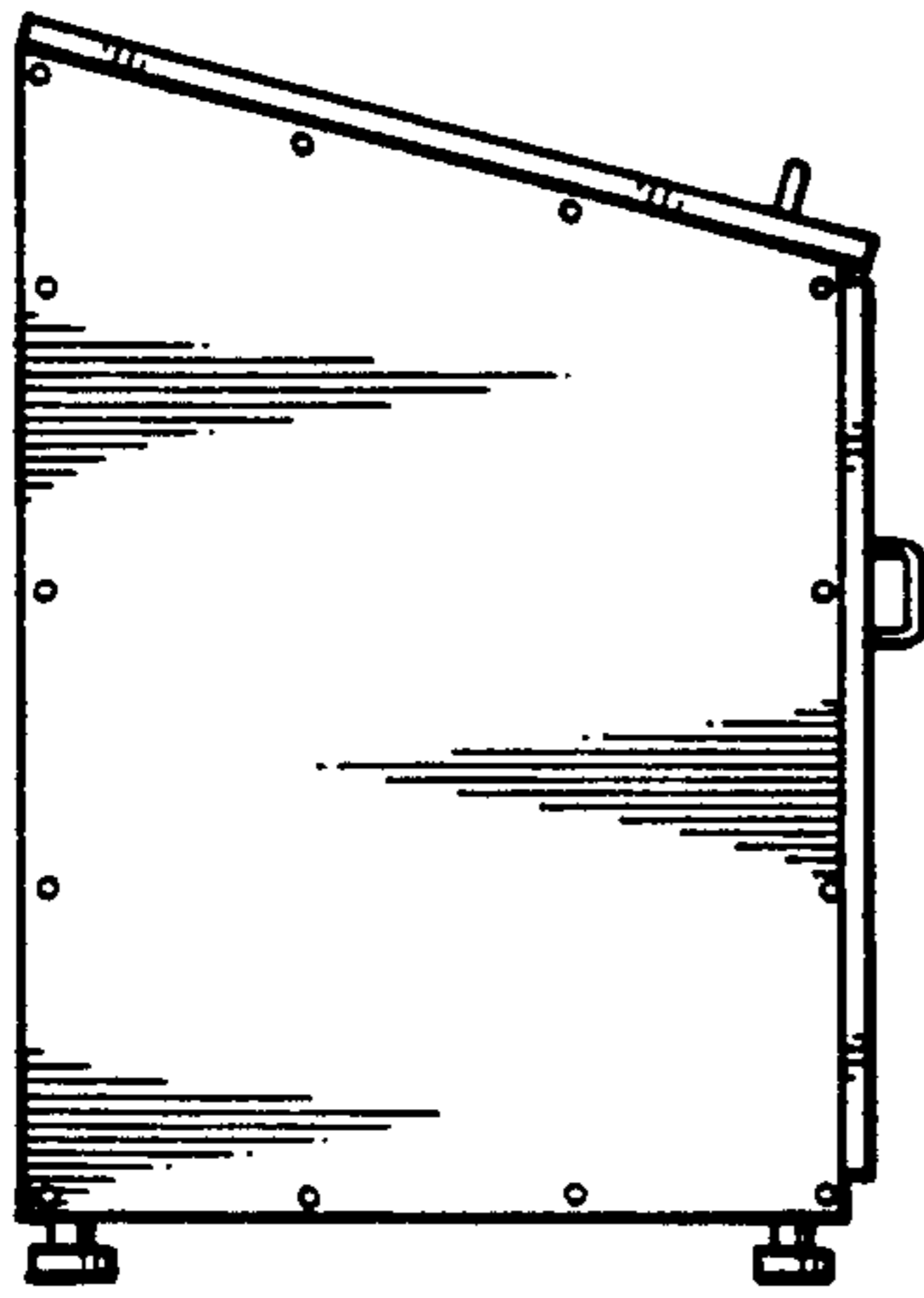


FIG. 4

FIG. 5

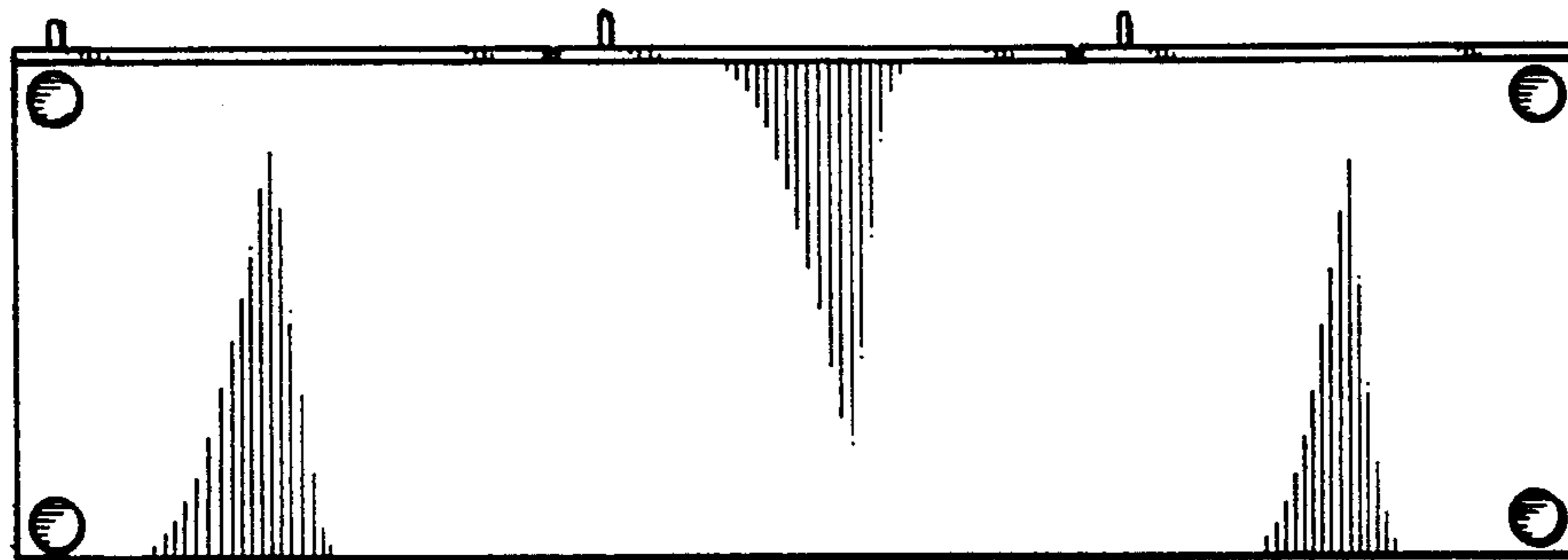
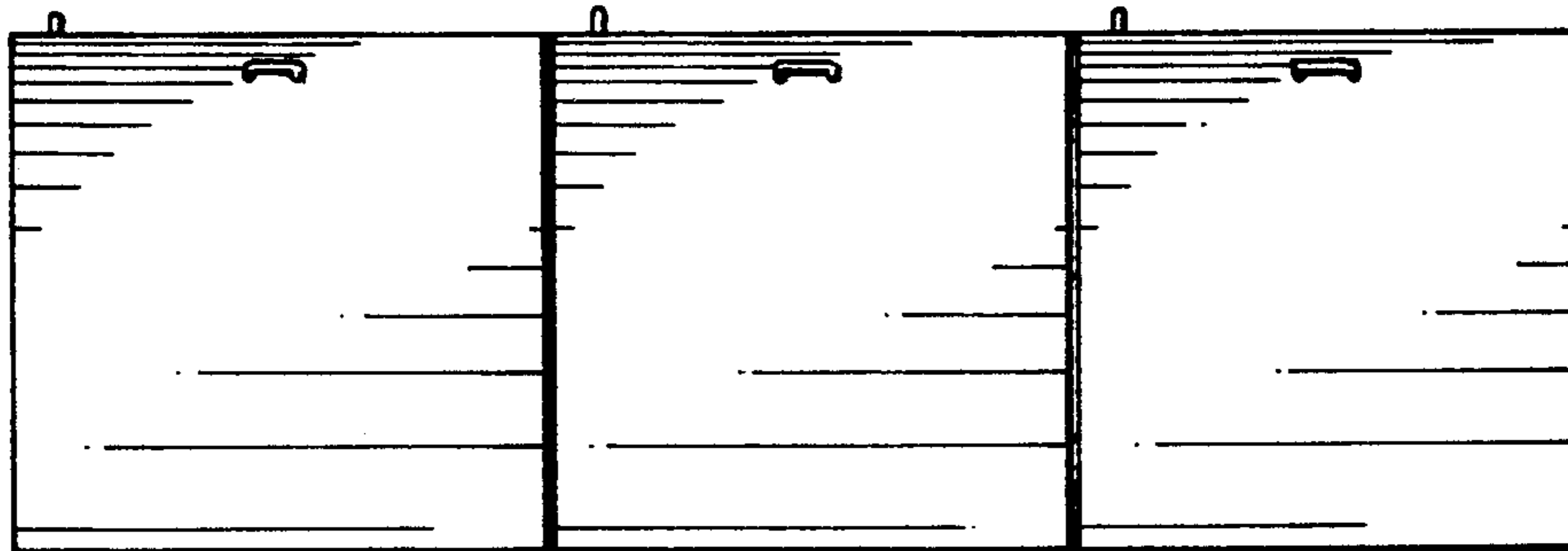


FIG. 6