



US00D335010S

# United States Patent [19]

Vildosola

[11] Patent Number: **Des. 335,010**

[45] Date of Patent: **\*\* Apr. 20, 1993**

[54] **COMBINED CORDLESS IRON AND ELECTRIC BASE AND STAND UNIT**

[75] Inventor: **Tomás B. Vildosola**, Eibar Guipuzcoa, Spain

[73] Assignee: **Oficina de Investigacio Agrupada**, Eibar Guipuzcoa, Spain

[\*] Notice: The portion of the term of this patent subsequent to Aug. 20, 2005 has been disclaimed.

[\*\*] Term: **14 Years**

[21] Appl. No.: **290,769**

[22] Filed: **Dec. 27, 1988**

[30] **Foreign Application Priority Data**

Jun. 27, 1988 [ES] Spain ..... 116.317

[52] U.S. Cl. .... **D32/68; D32/70; D32/73**

[58] Field of Search ..... **D32/68-73; 38/69-71, 74-75, 77.1-77.9, 79, 81-82, 85, 88, 90, 93-94, 96, 141-142; 219/245-259, 271-273; 248/117.1-117.7**

[56] **References Cited**

**U.S. PATENT DOCUMENTS**

D. 299,572	1/1989	Rohner	.....	D32/70
D. 299,573	1/1989	Gudfin	.....	D32/70
D. 302,060	7/1989	Barrault	.....	D32/70
D. 302,615	8/1989	Vildosola	.....	D32/73

**OTHER PUBLICATIONS**

Housewares, Apr. 1985, Cordless Steam Iron With Rechargeable Base, p. 45.

*Primary Examiner*—Wallace R. Burke  
*Assistant Examiner*—Lavone D. Tabor  
*Attorney, Agent, or Firm*—Helfgott & Karas

[57] **CLAIM**

The ornamental design for a combined cordless iron and electric base and stand unit, as shown and described.

**DESCRIPTION**

FIG. 1 is a perspective view as seen from one side of a combined cordless iron and electric base and stand unit showing my new design, the stand being omitted for clarity of illustration only;

FIG. 2 is a perspective view as seen from the opposite side thereof;

FIG. 3 is a fragmentary perspective view as seen from one side of the iron, shown separately for clarity of illustration only;

FIG. 4 is a fragmentary bottom perspective view thereof;

FIG. 5 is a front perspective view of the stand, shown separately for clarity of illustration only;

FIG. 6 is a rear perspective view thereof;

FIG. 7 is a front perspective view of the assembled unit;

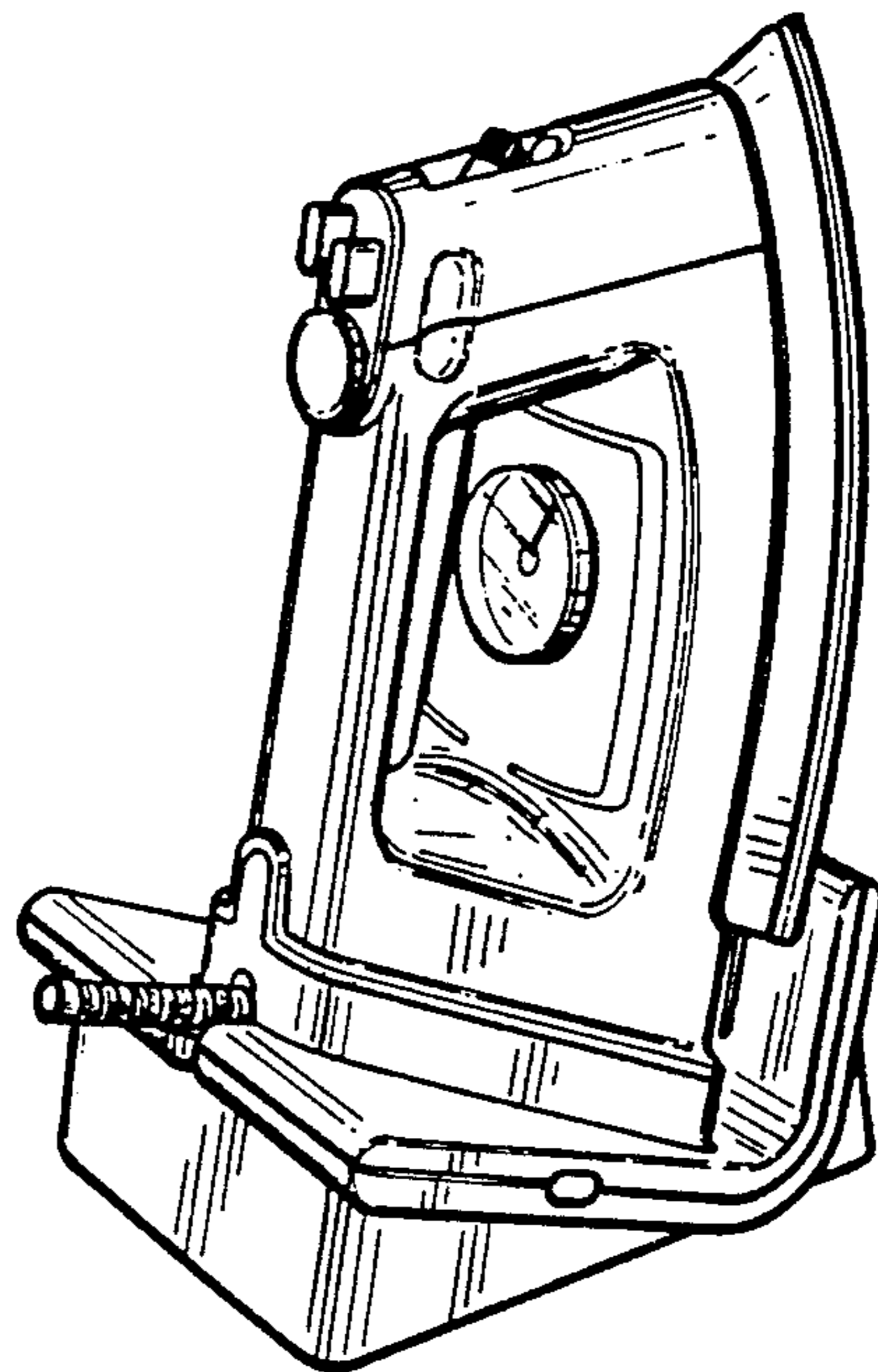
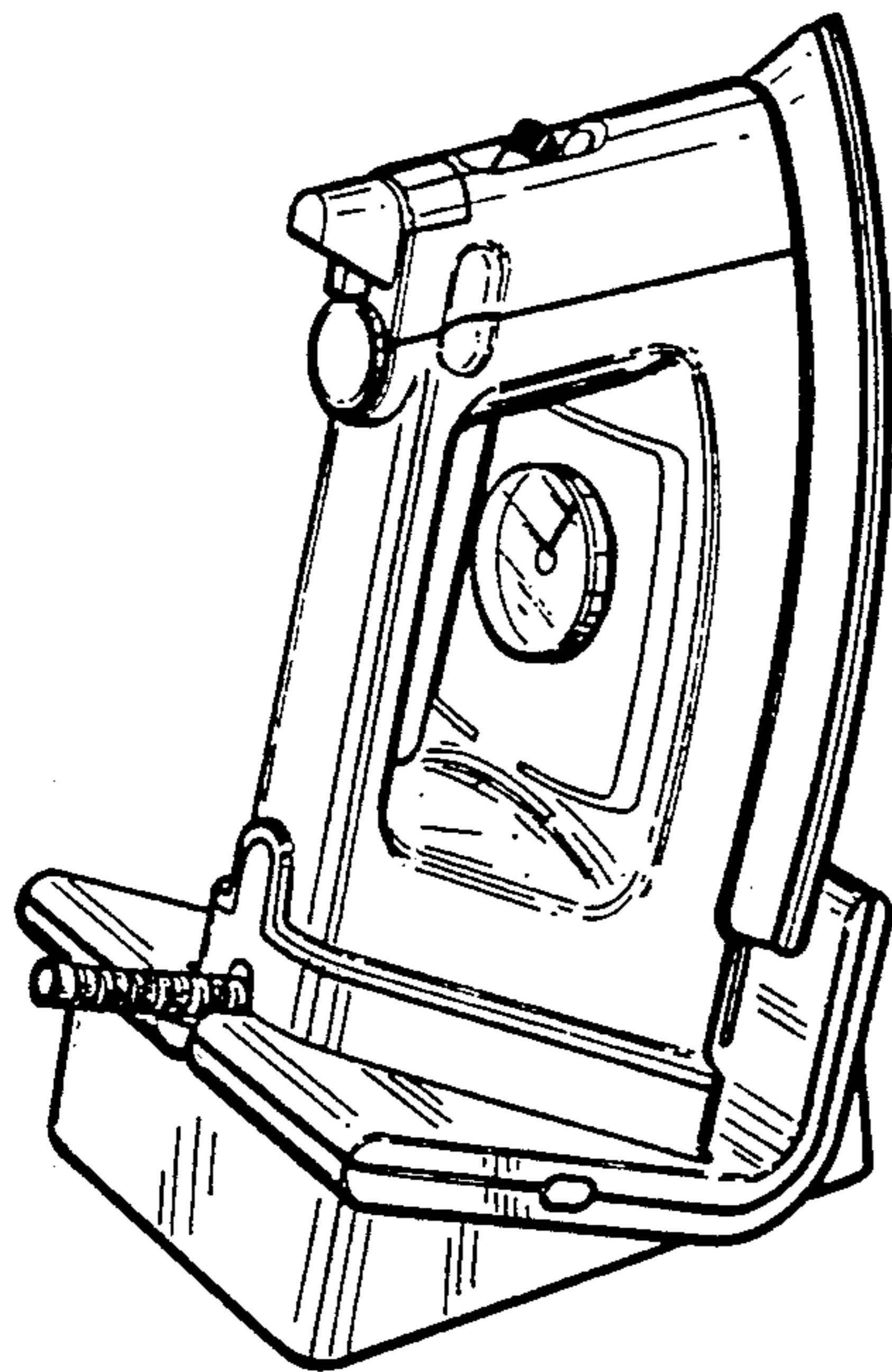
FIG. 8 is a rear perspective view thereof;

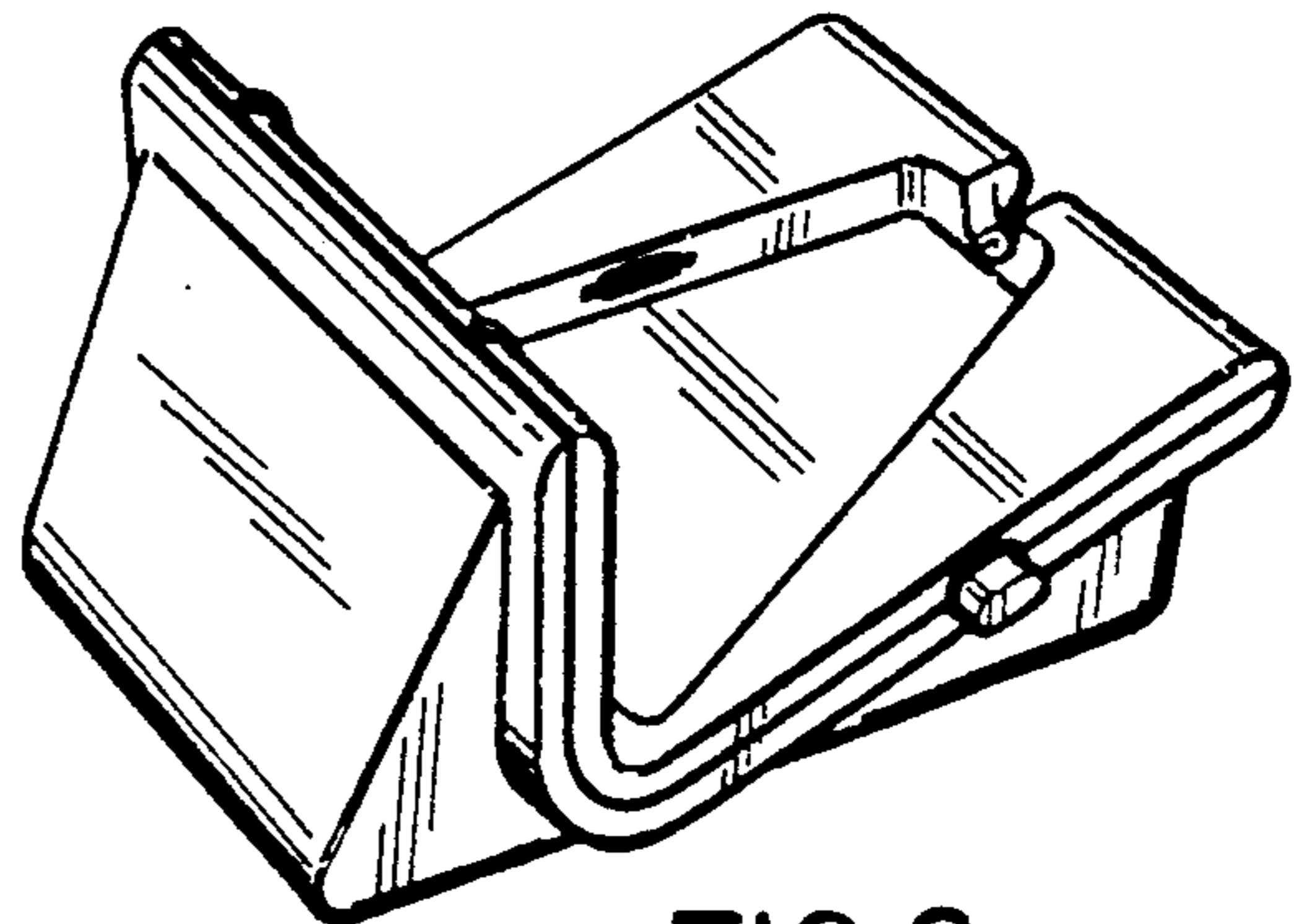
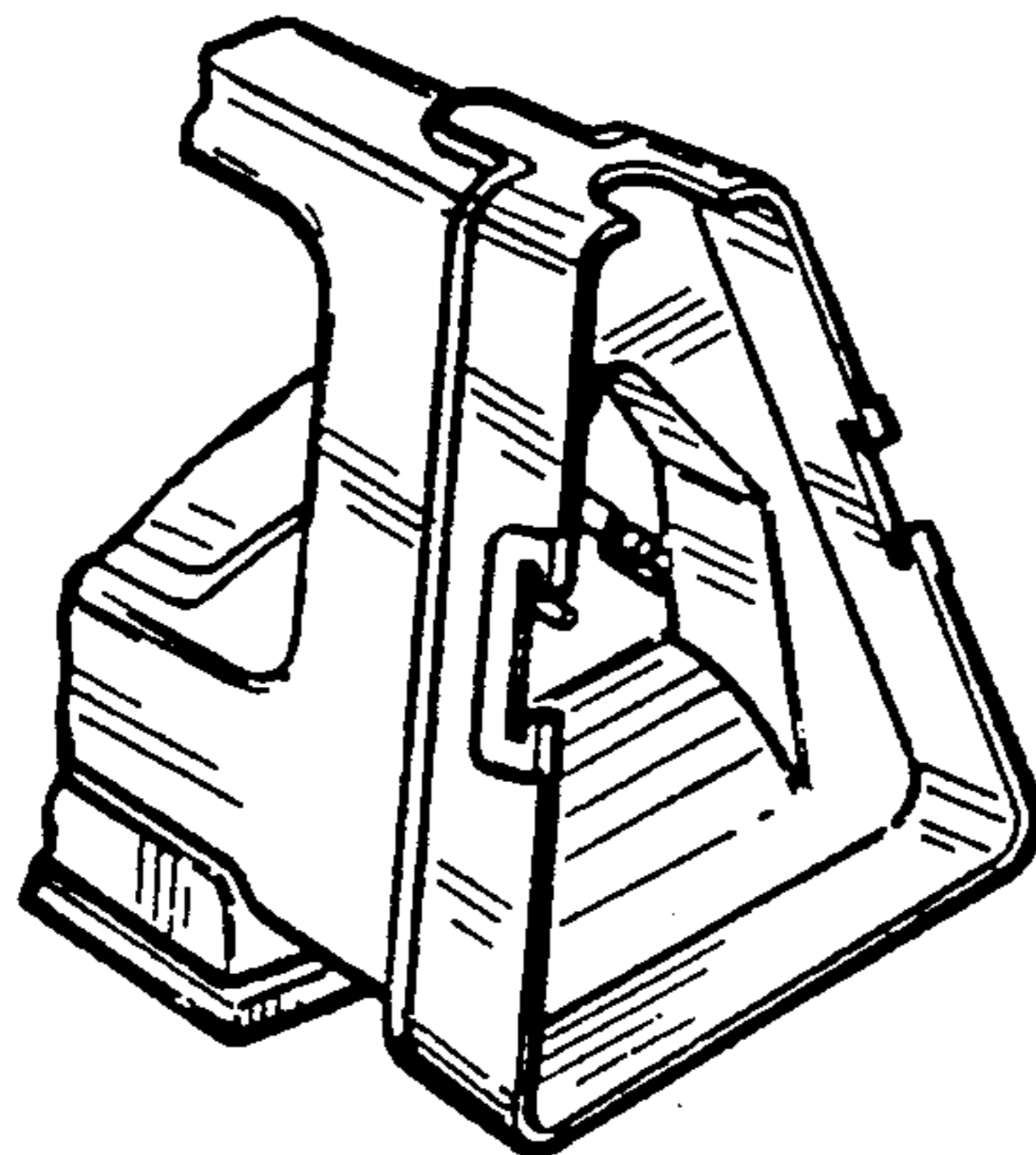
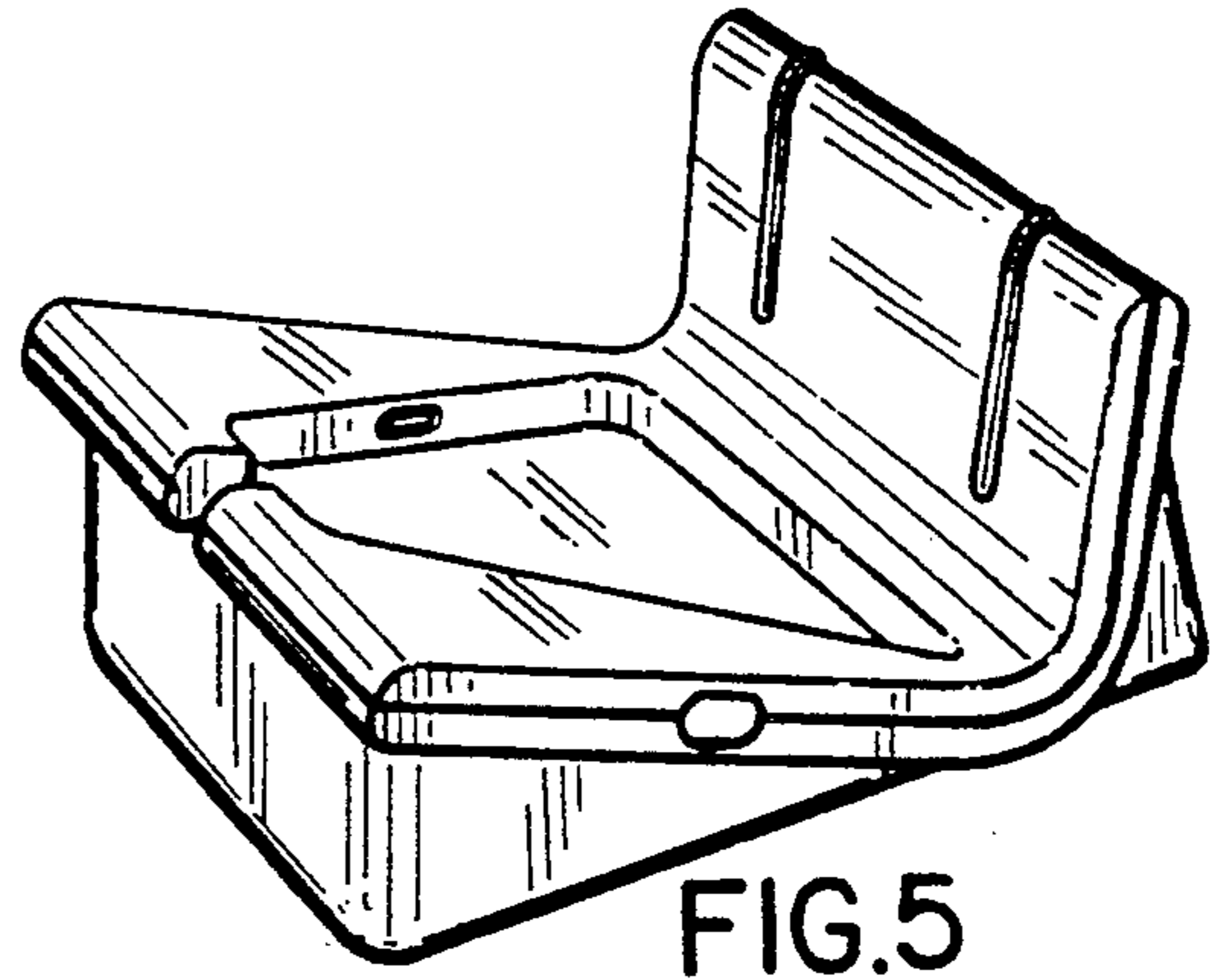
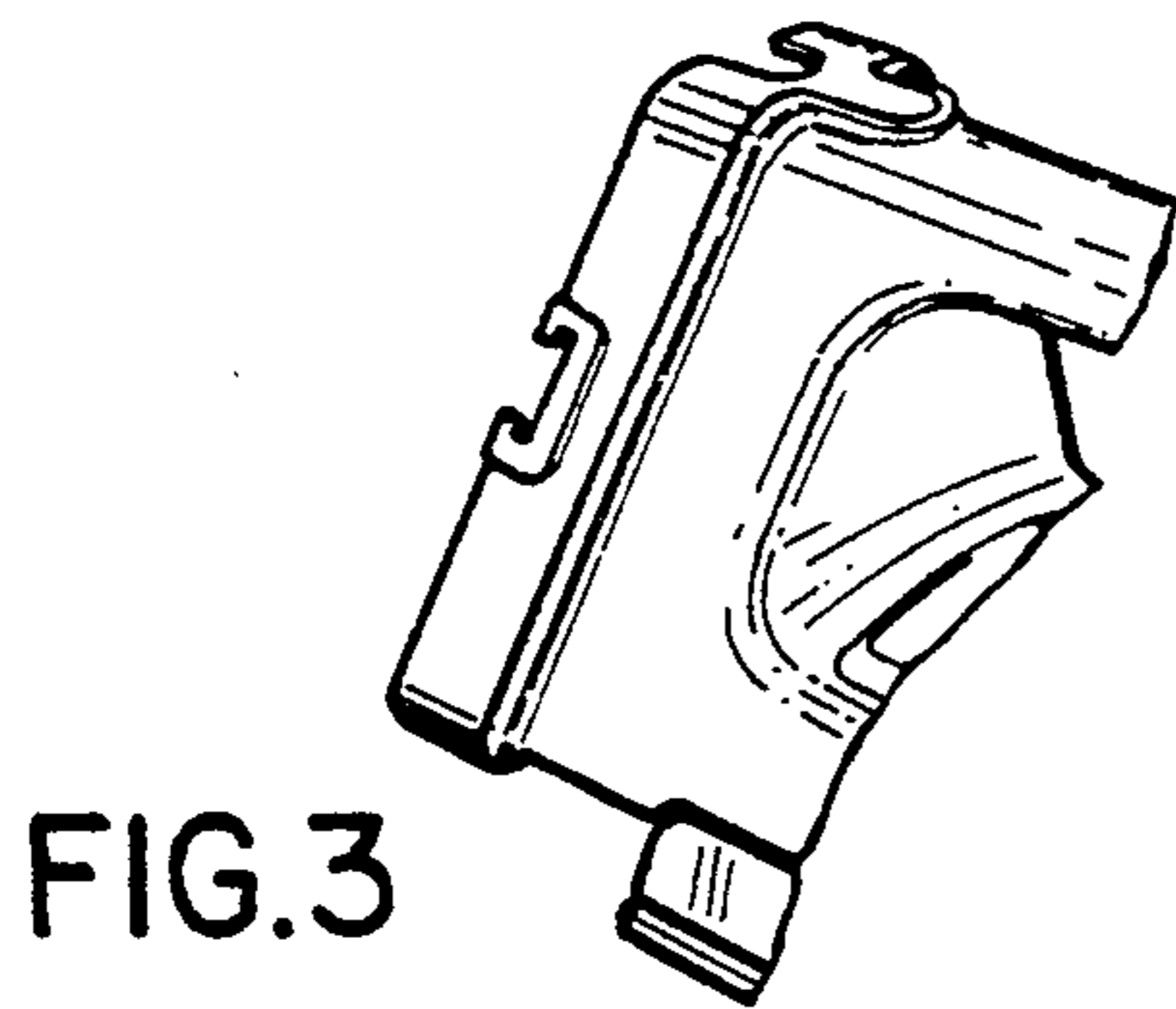
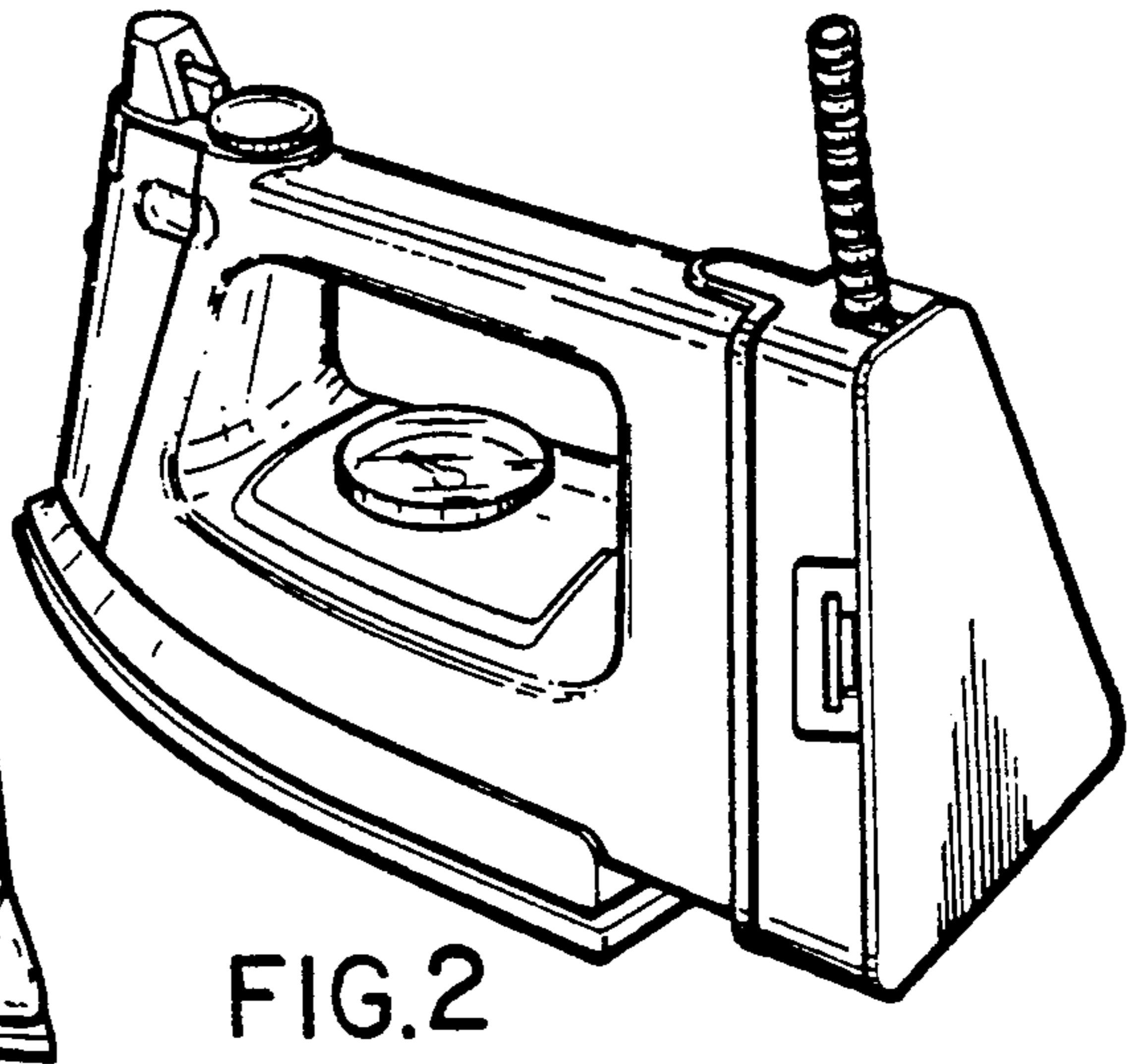
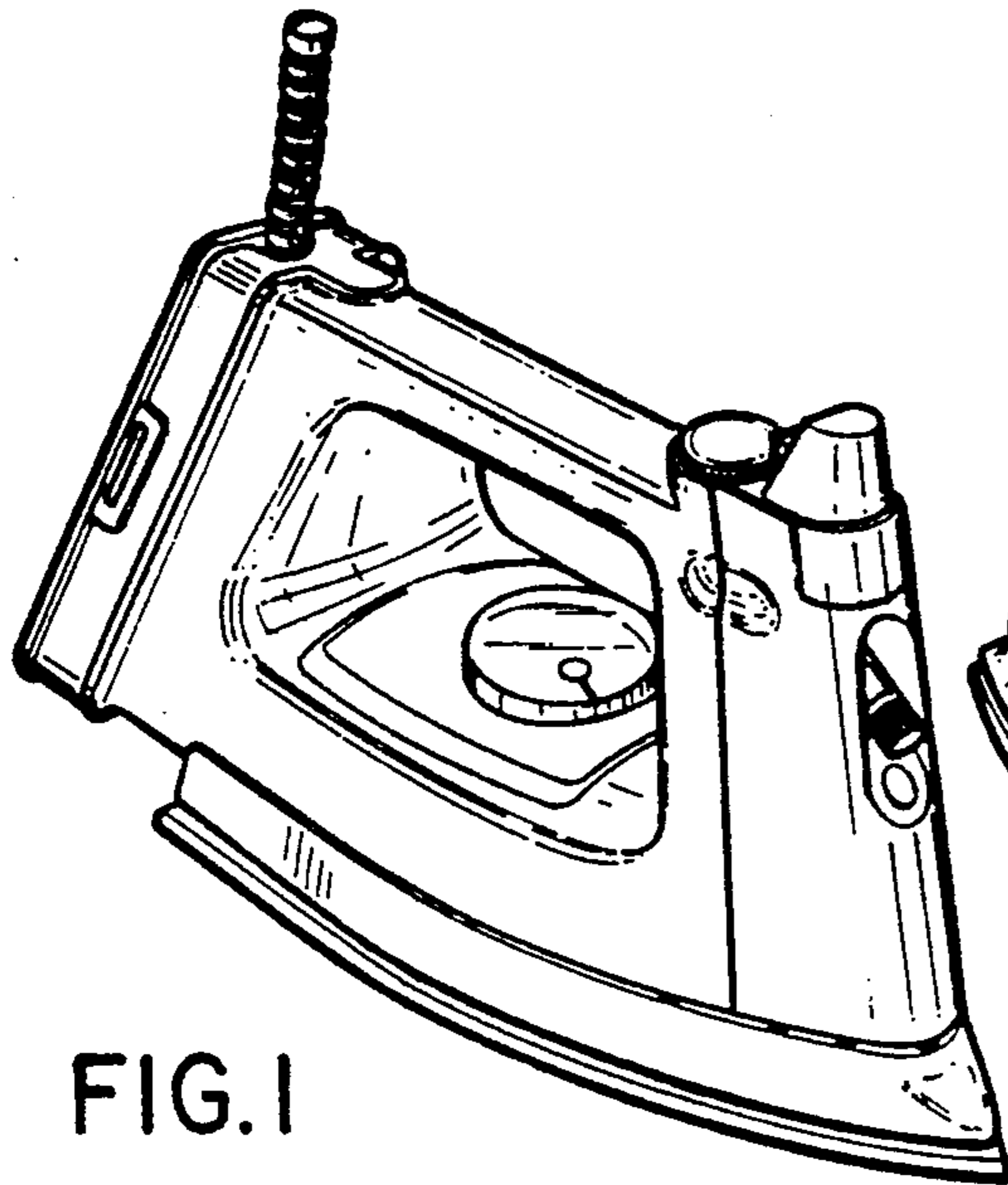
FIG. 9 is a rear perspective view of the electric base, shown separately for clarity of illustration only;

FIG. 10 is a front perspective view thereof;

FIG. 11 is a front perspective view of the stand, shown separately for clarity of illustration only;

FIGS. 12-22 are views of a second embodiment taken identically as the views of FIGS. 1-11;







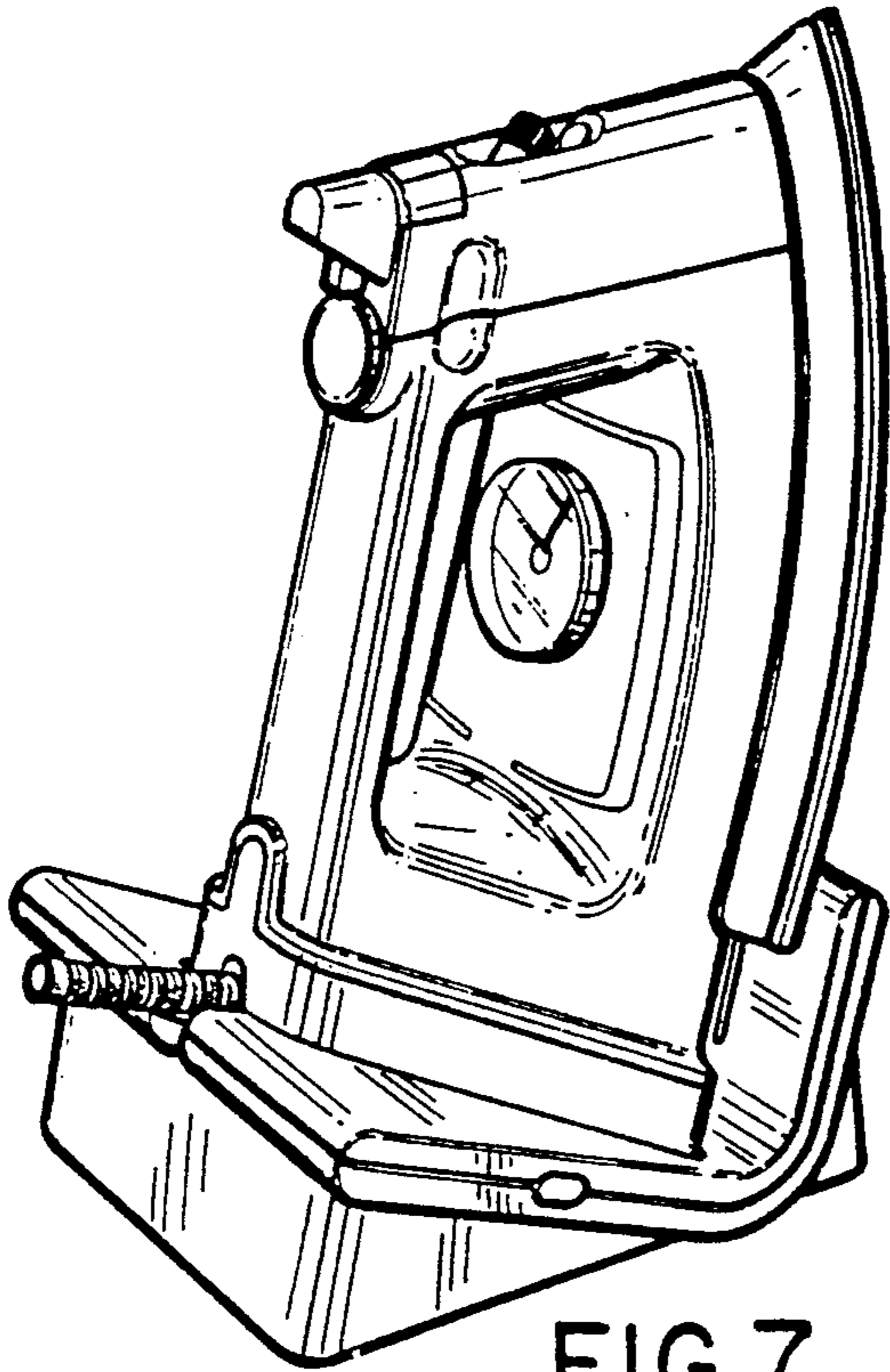


FIG. 7

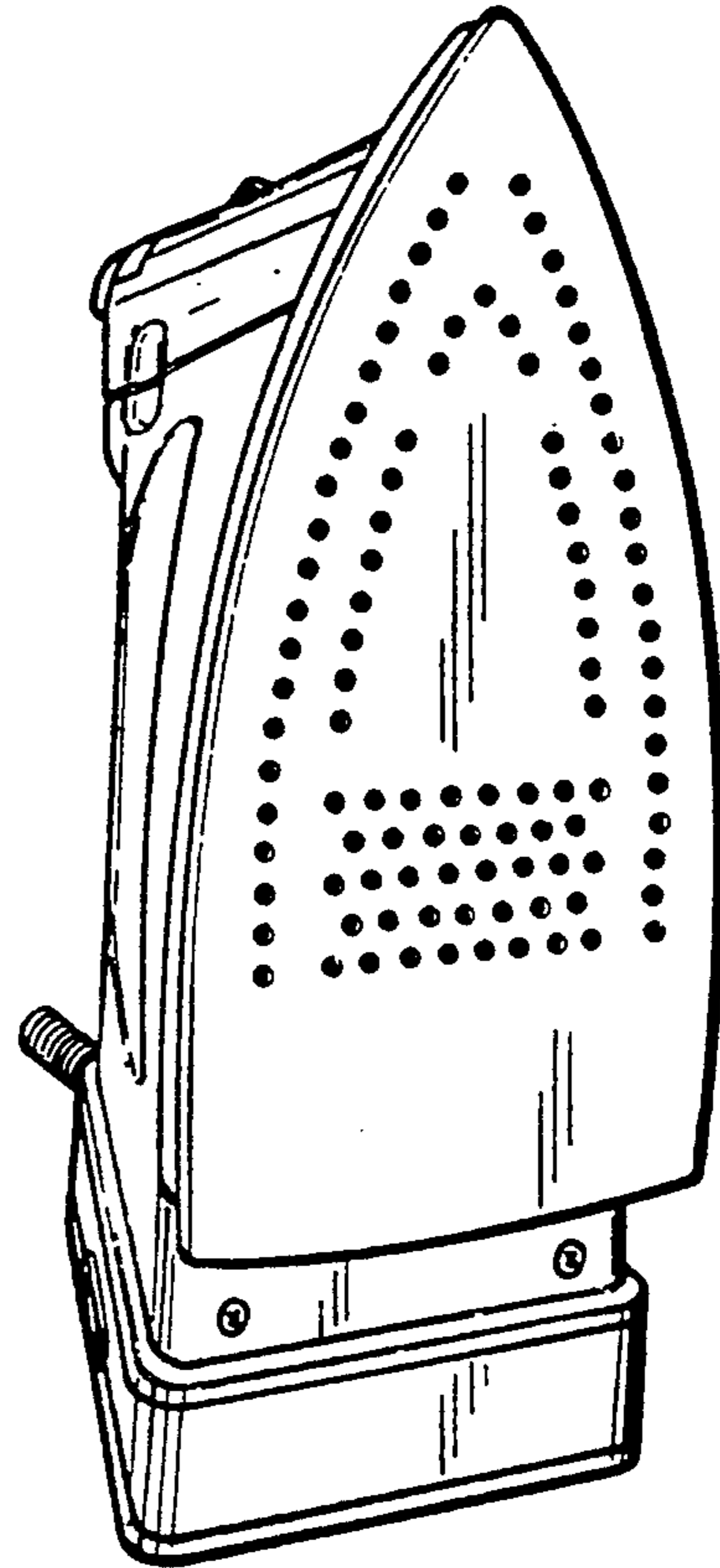


FIG. 8

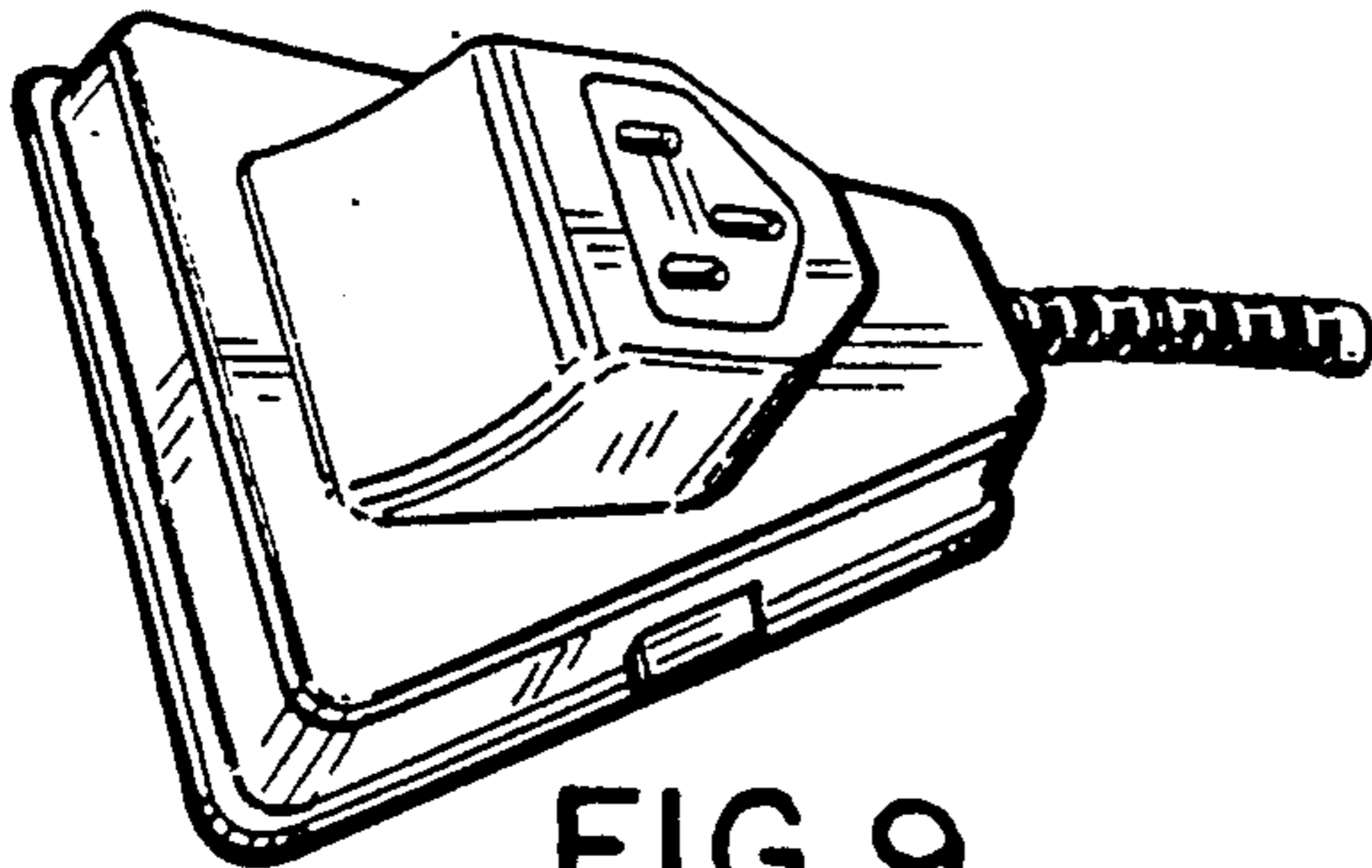


FIG. 9

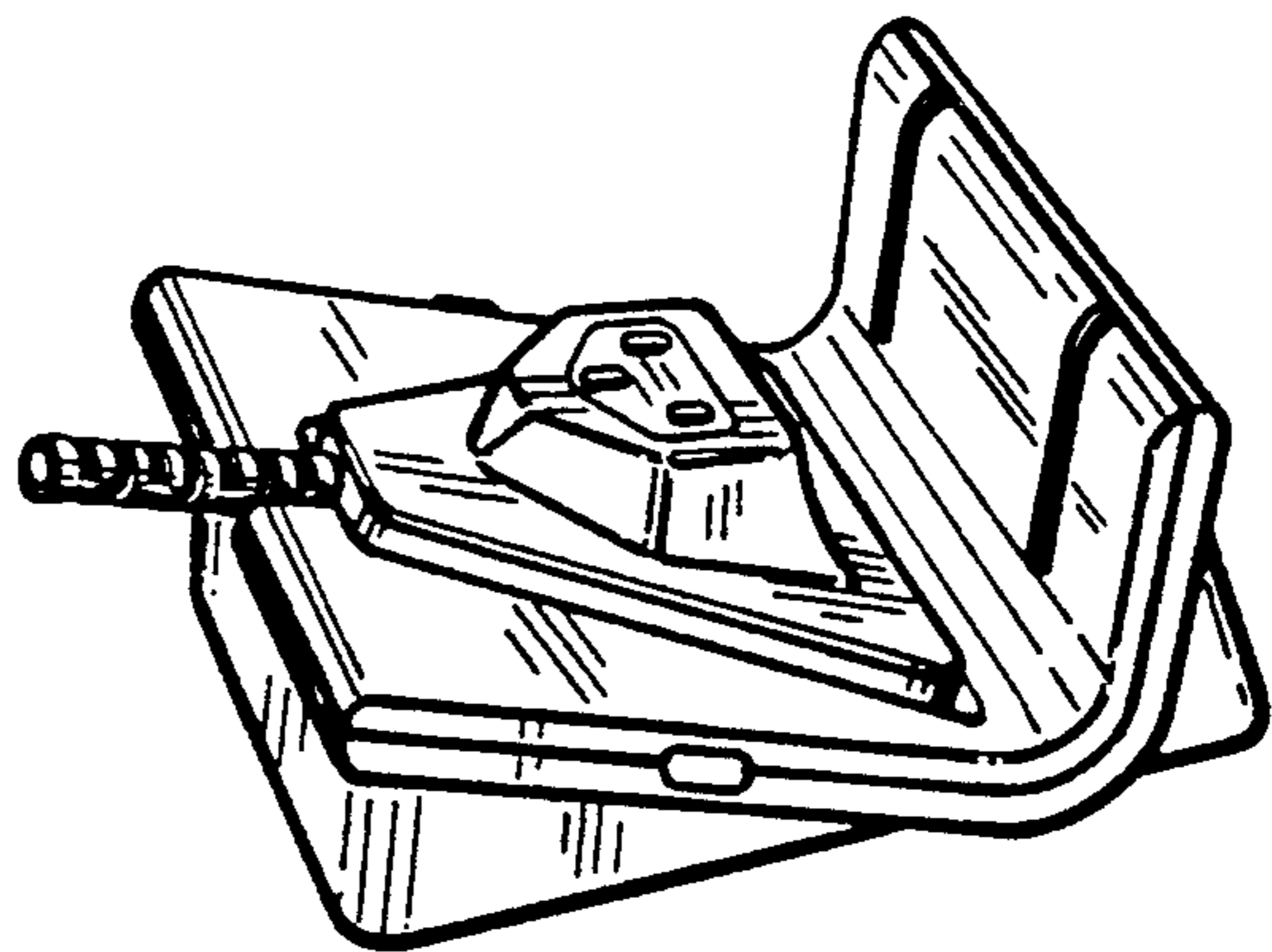


FIG. 11

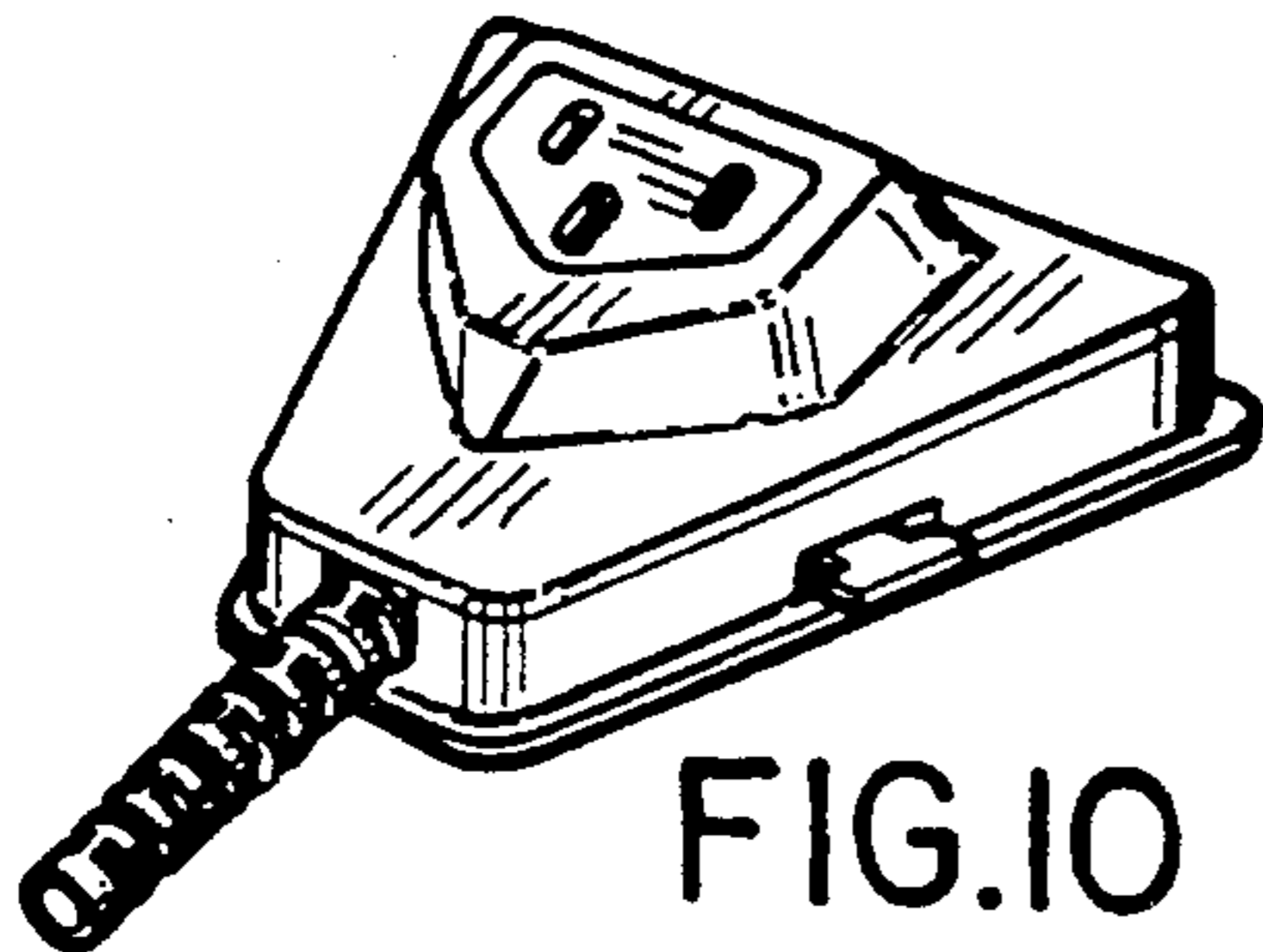
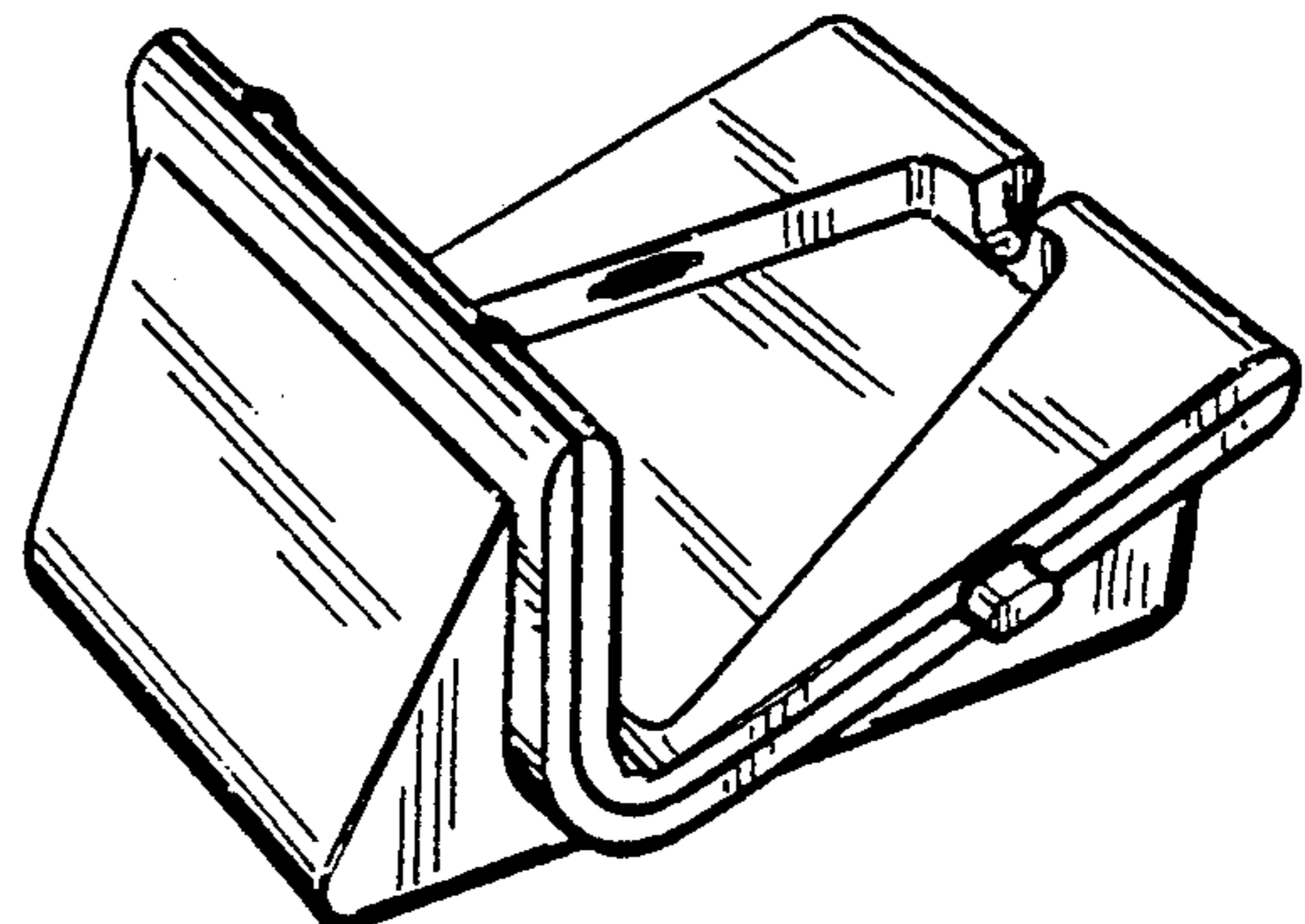
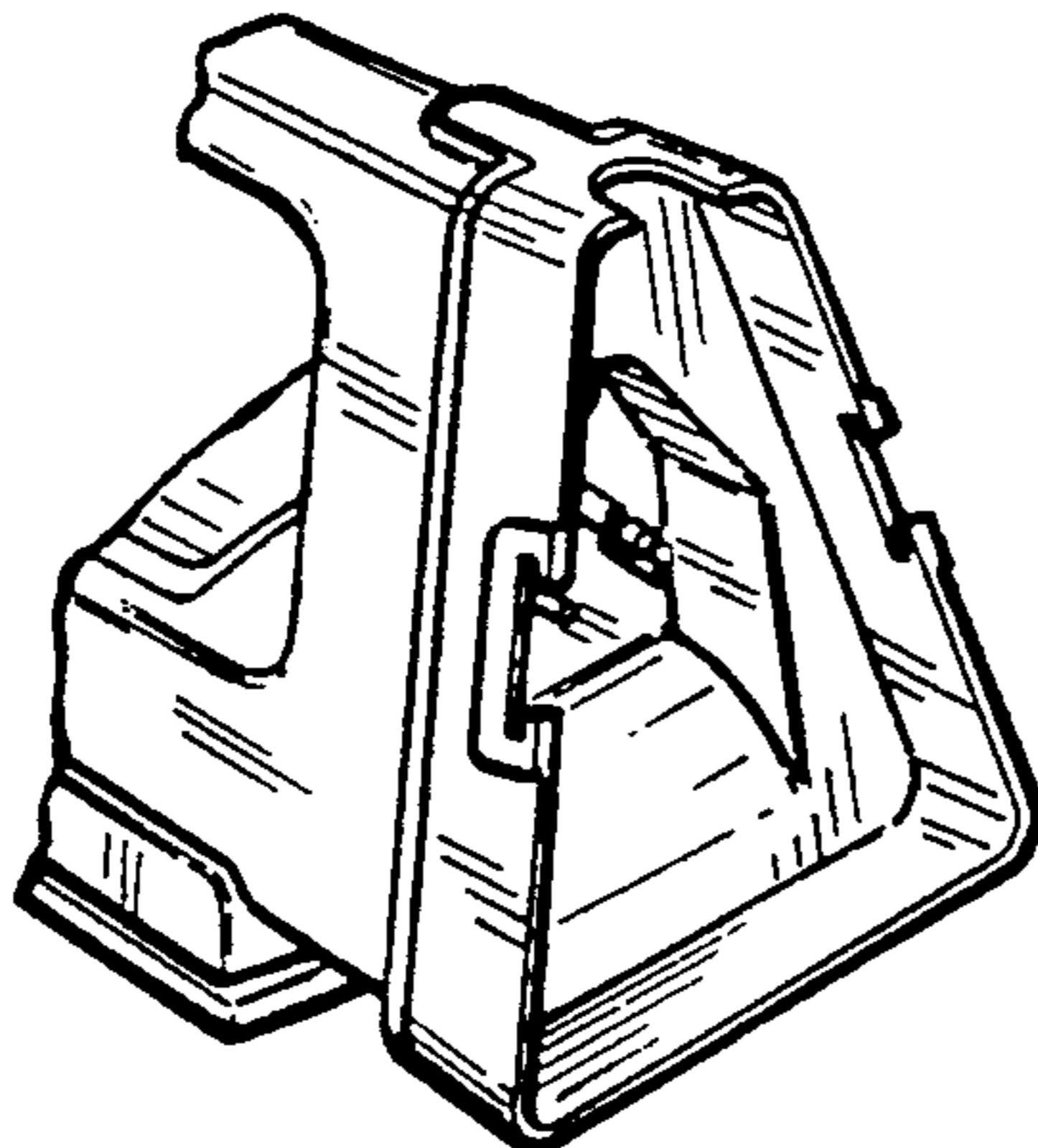
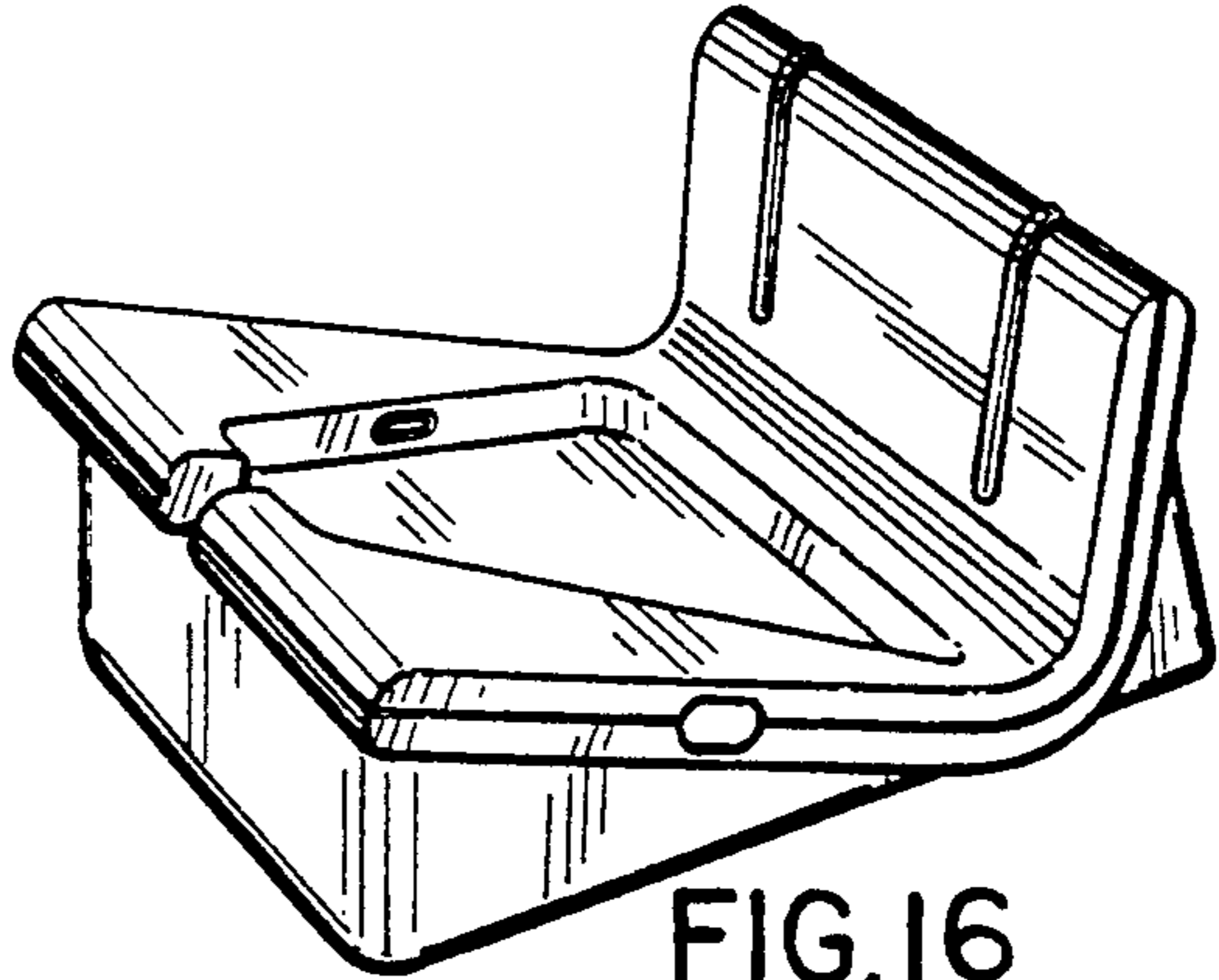
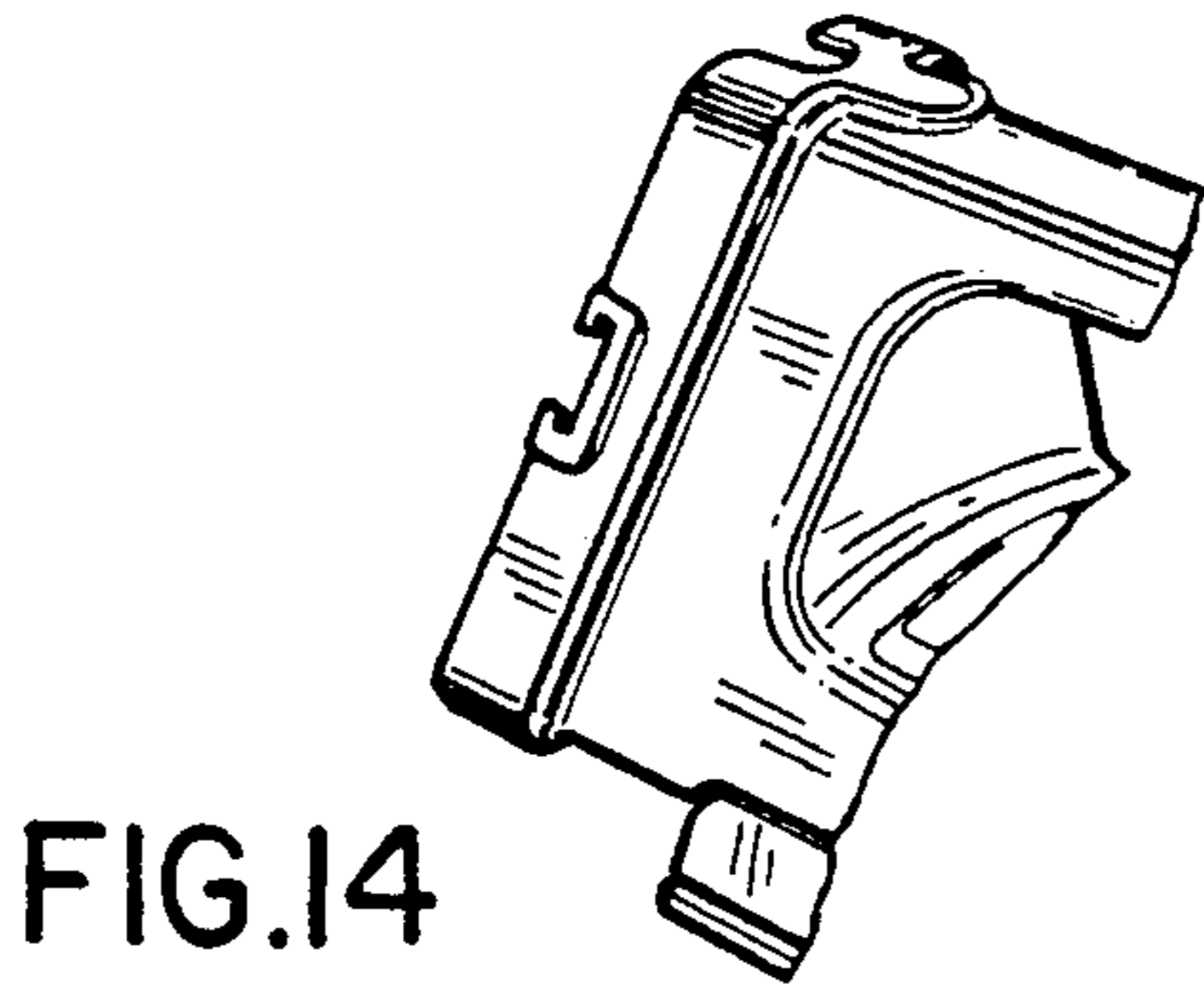
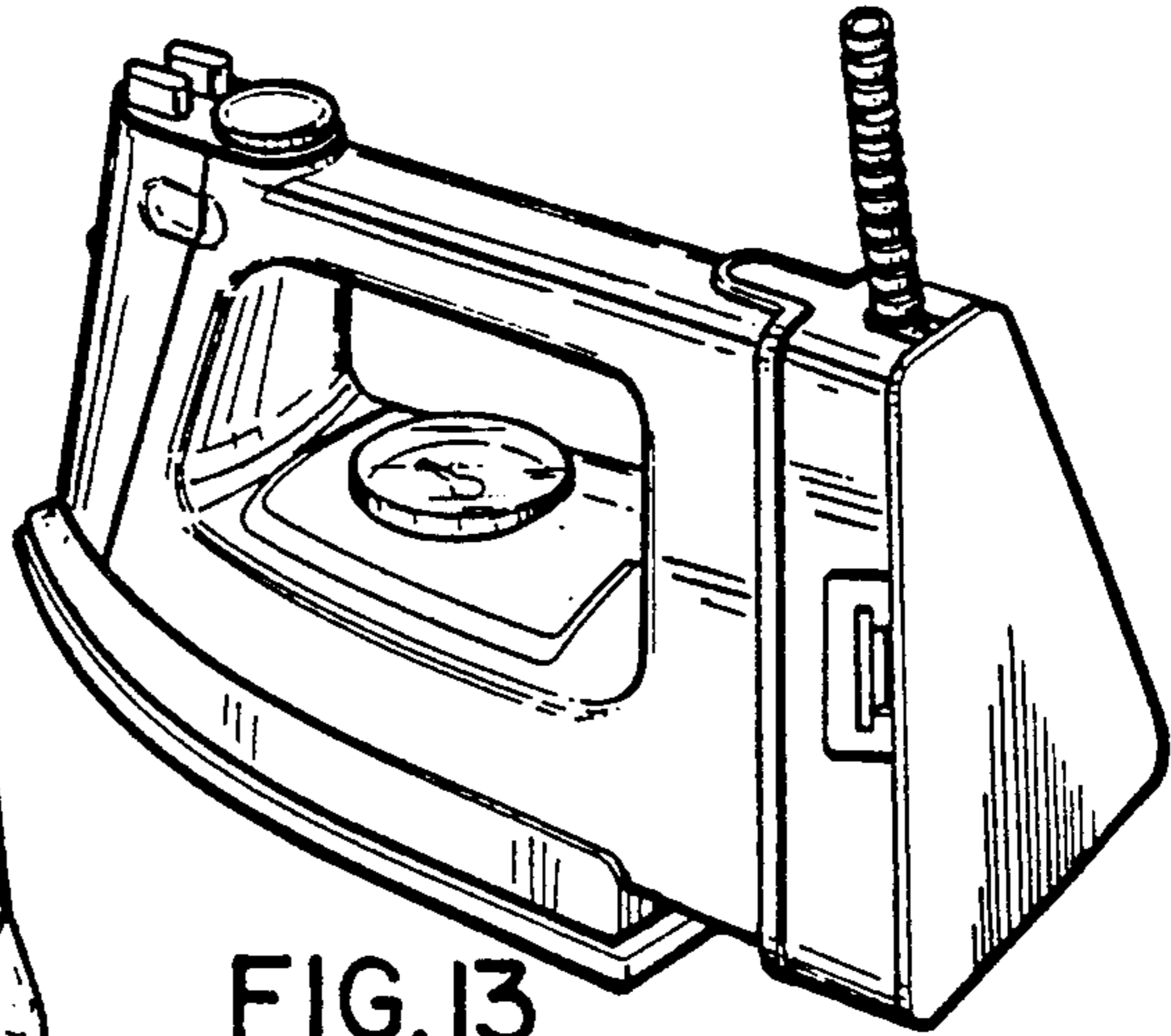
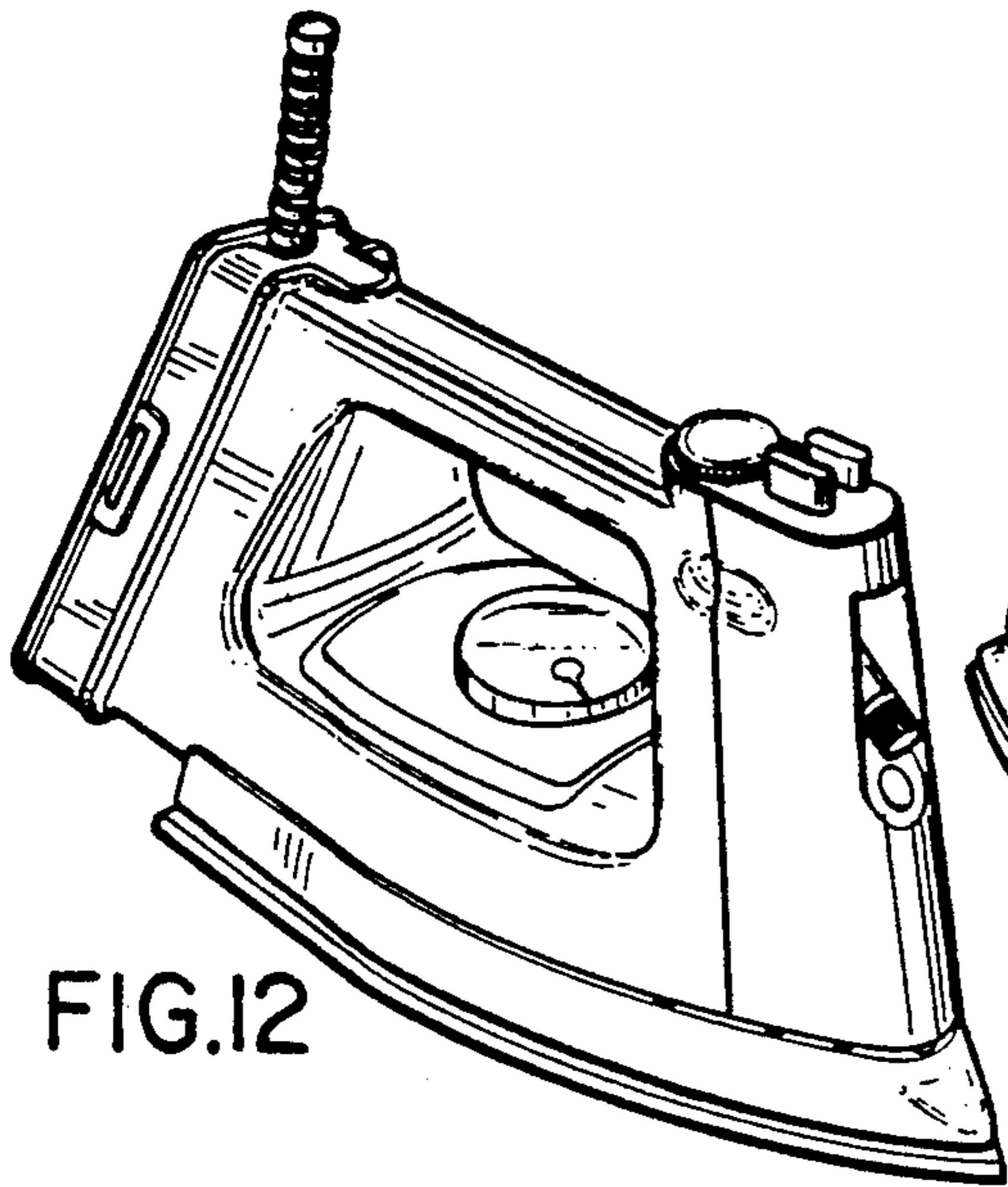


FIG. 10





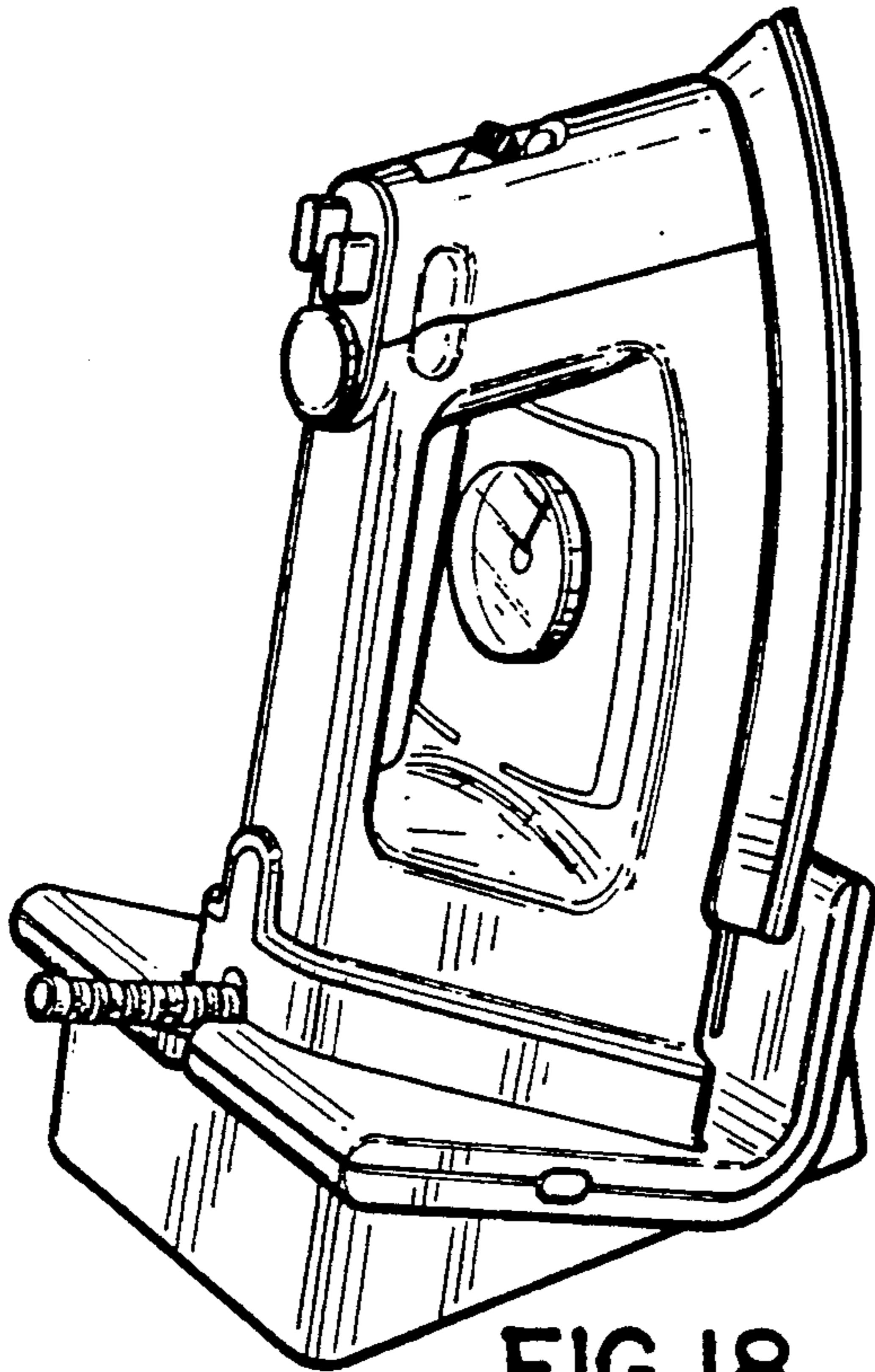


FIG.18

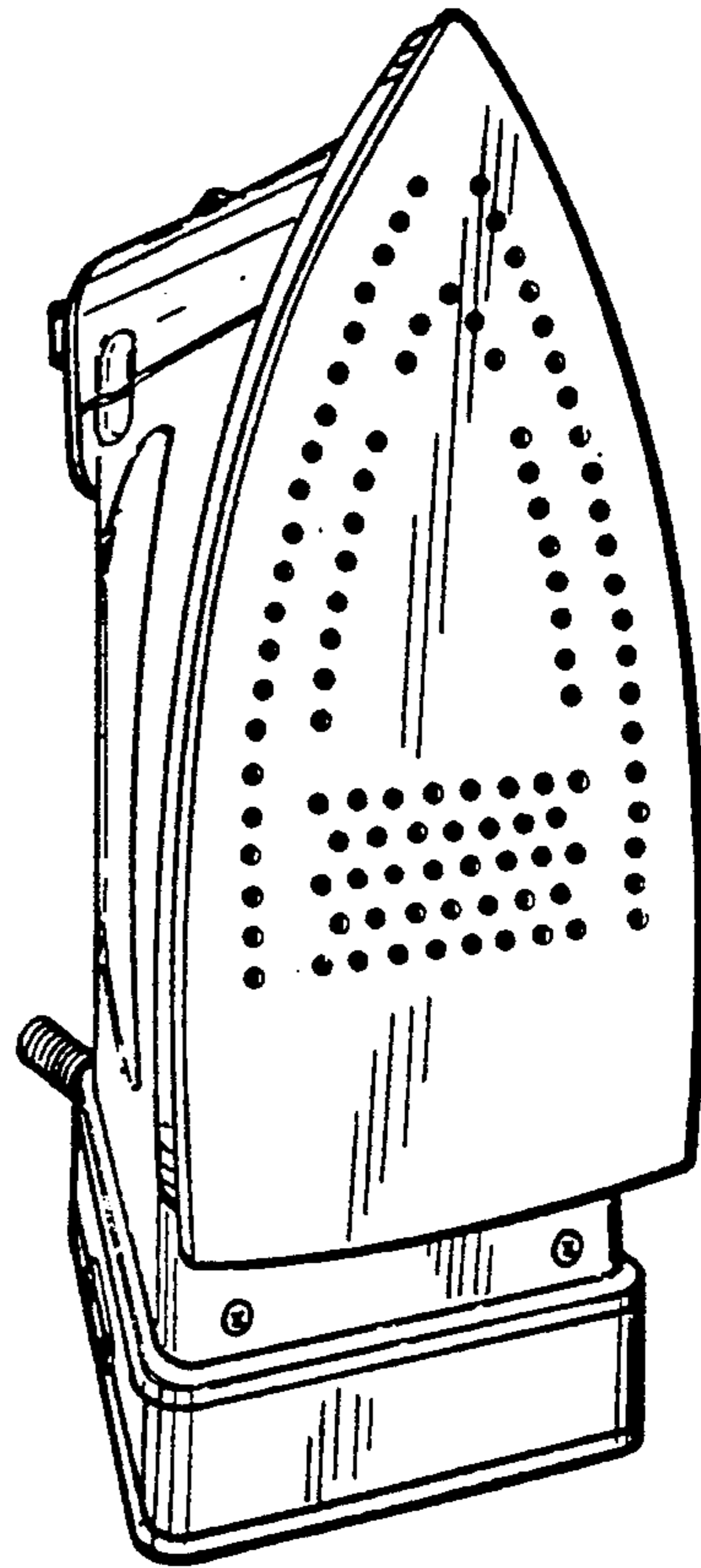


FIG.19

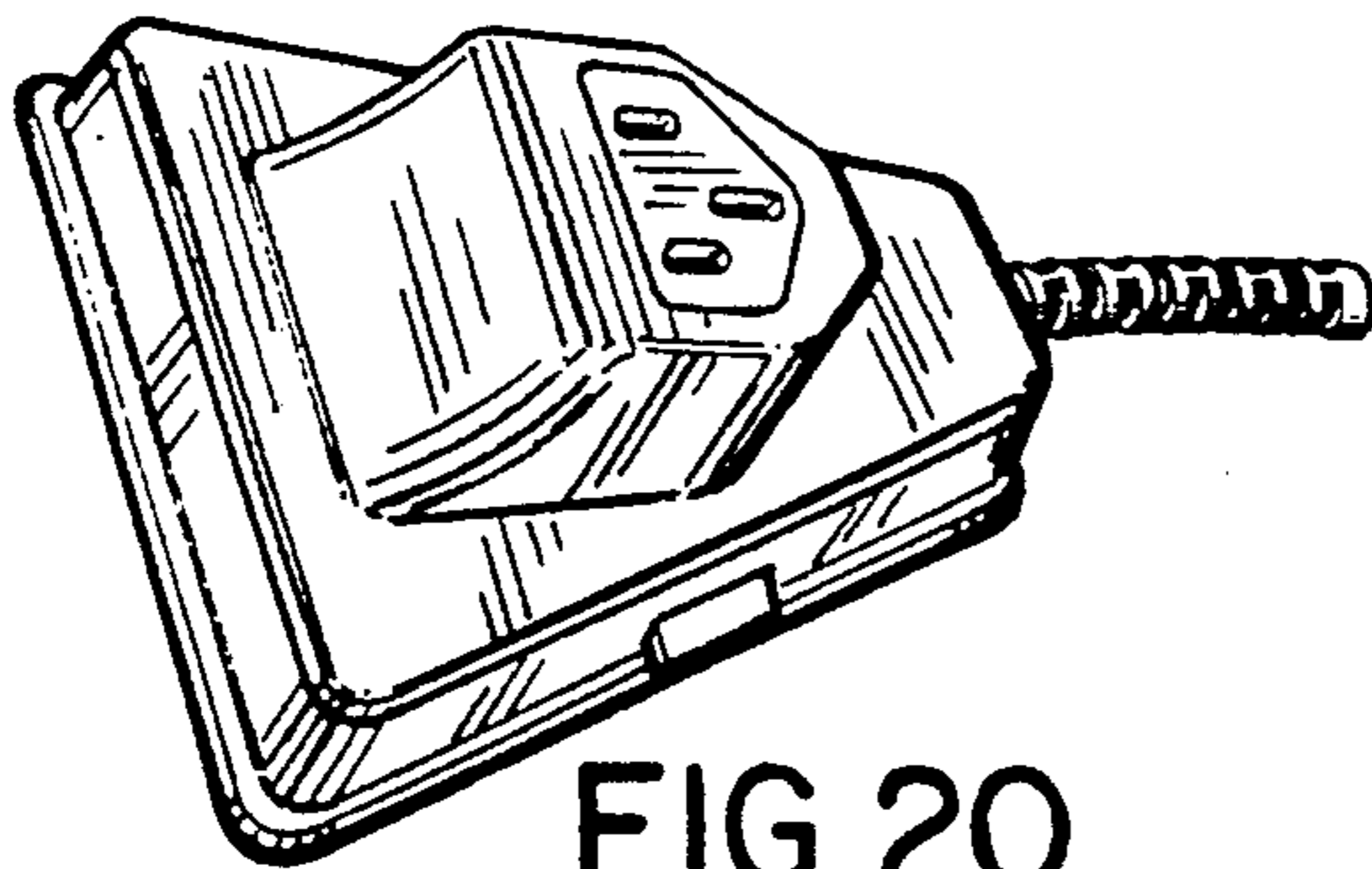


FIG.20

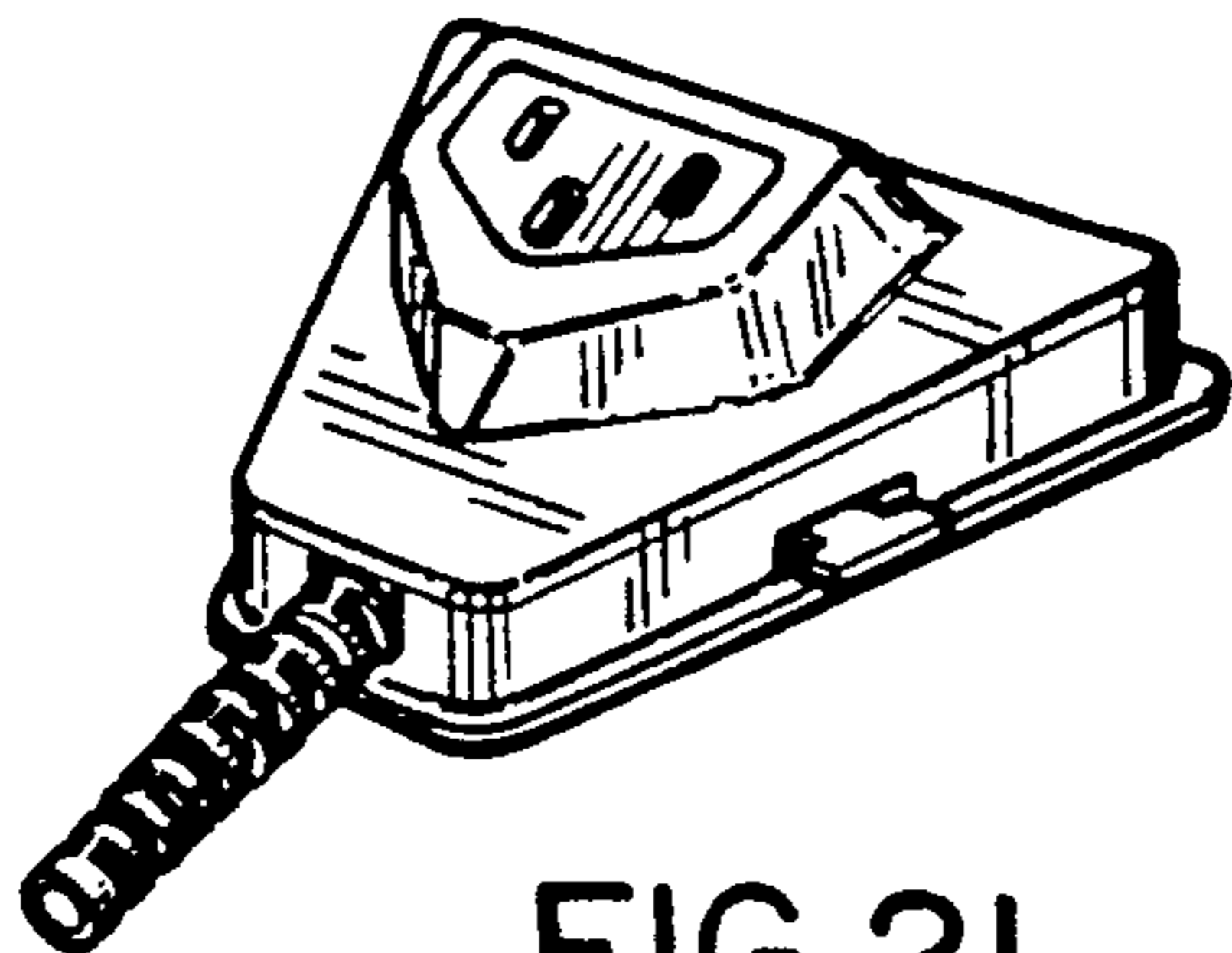


FIG.21

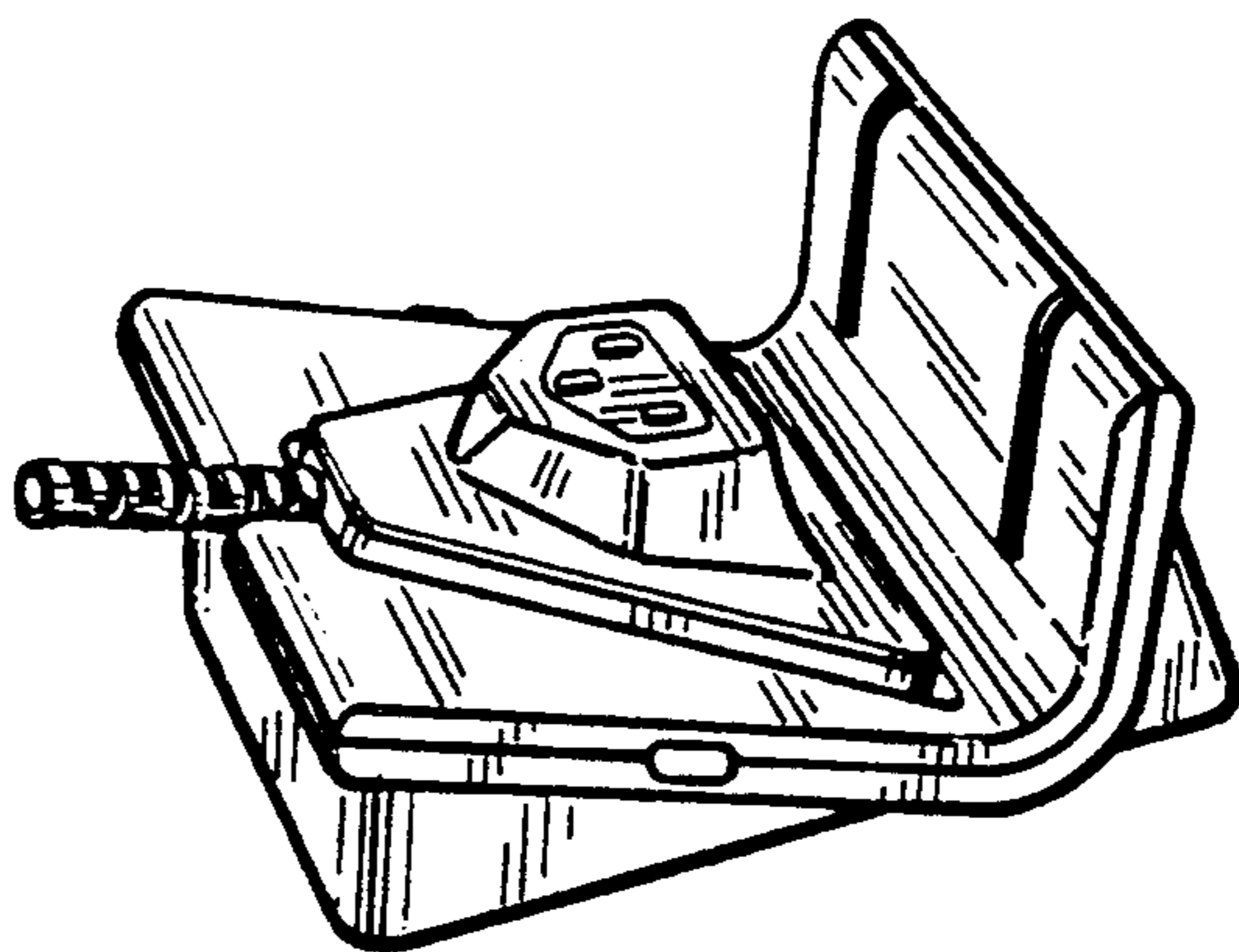


FIG.22