



US00D335007S

United States Patent [19]

[11] **Patent Number: Des. 335,007**

McPhee

[45] **Date of Patent: ** Apr. 20, 1993**

[54] **DOG FEEDING TABLE**

[76] **Inventor: Paul D. McPhee, 12 Willis Dr.,
Aurora, Ontario, Canada, L4G 5N8**

[**] **Term: 14 Years**

[21] **Appl. No.: 743,594**

[22] **Filed: Aug. 12, 1991**

[52] **U.S. Cl. D30/133; D7/616**

[58] **Field of Search D30/121-123,
D30/129-133, 119-120; 119/61, 51.5, 51.11,
51.12, 52.4, 72, 73, 77, 158; D7/550, 553, 555,
616; D6/406, 469, 476, 477; D3/40**

[56] **References Cited**

U.S. PATENT DOCUMENTS

2,845,896	8/1958	Copeland	119/61
3,651,787	3/1972	Cooper	119/61
3,776,193	12/1973	Post, Sr.	119/51.5
4,044,723	8/1977	Fitzpatrick	119/61
4,699,089	10/1987	Teschke	119/51.5
5,054,431	10/1991	Coviello	119/61

FOREIGN PATENT DOCUMENTS

2603161 3/1988 France 119/51.5

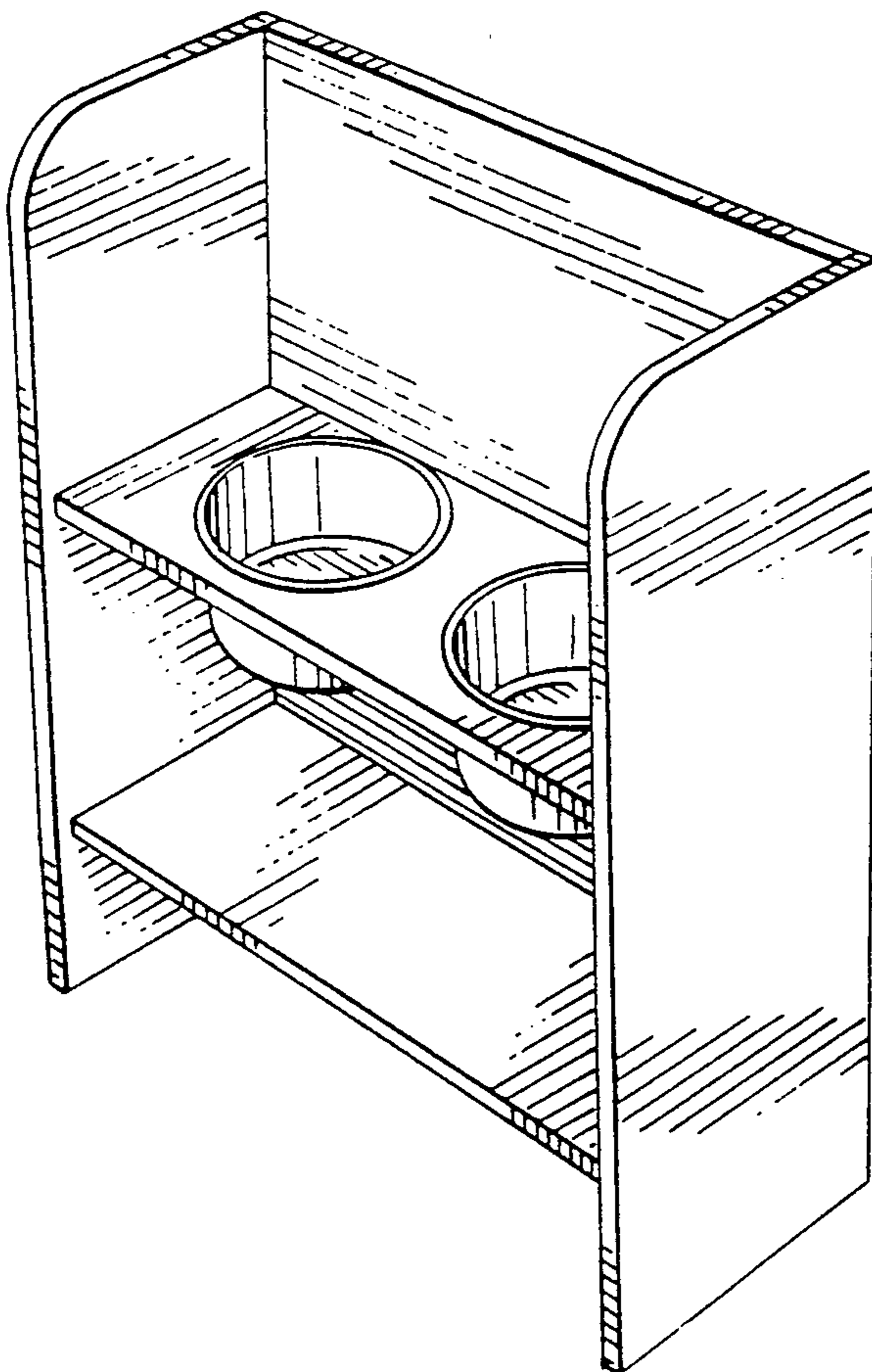
Primary Examiner—A. Hugo Word
Assistant Examiner—CathyAnne MacCormac
Attorney, Agent, or Firm—Shoemaker & Mattare, Ltd.

[57] **CLAIM**

The ornamental design for a dog feeding table, as shown and described.

DESCRIPTION

FIG. 1 is a perspective view, taken from in front and above, showing a dog feeding table embodying my design;
FIG. 2 is a perspective view of the dog feeding table of FIG. 1, taken from below and behind;
FIG. 3 is a top plan view of the dog feeding table;
FIG. 4 is a front elevational view of the dog feeding table;
FIG. 5 is a side elevational view of the dog feeding table, the elevation from the opposite direction being identical;
FIG. 6 is a bottom plan view of the dog feeding table; and,
FIG. 7 is a rear elevational view thereof.



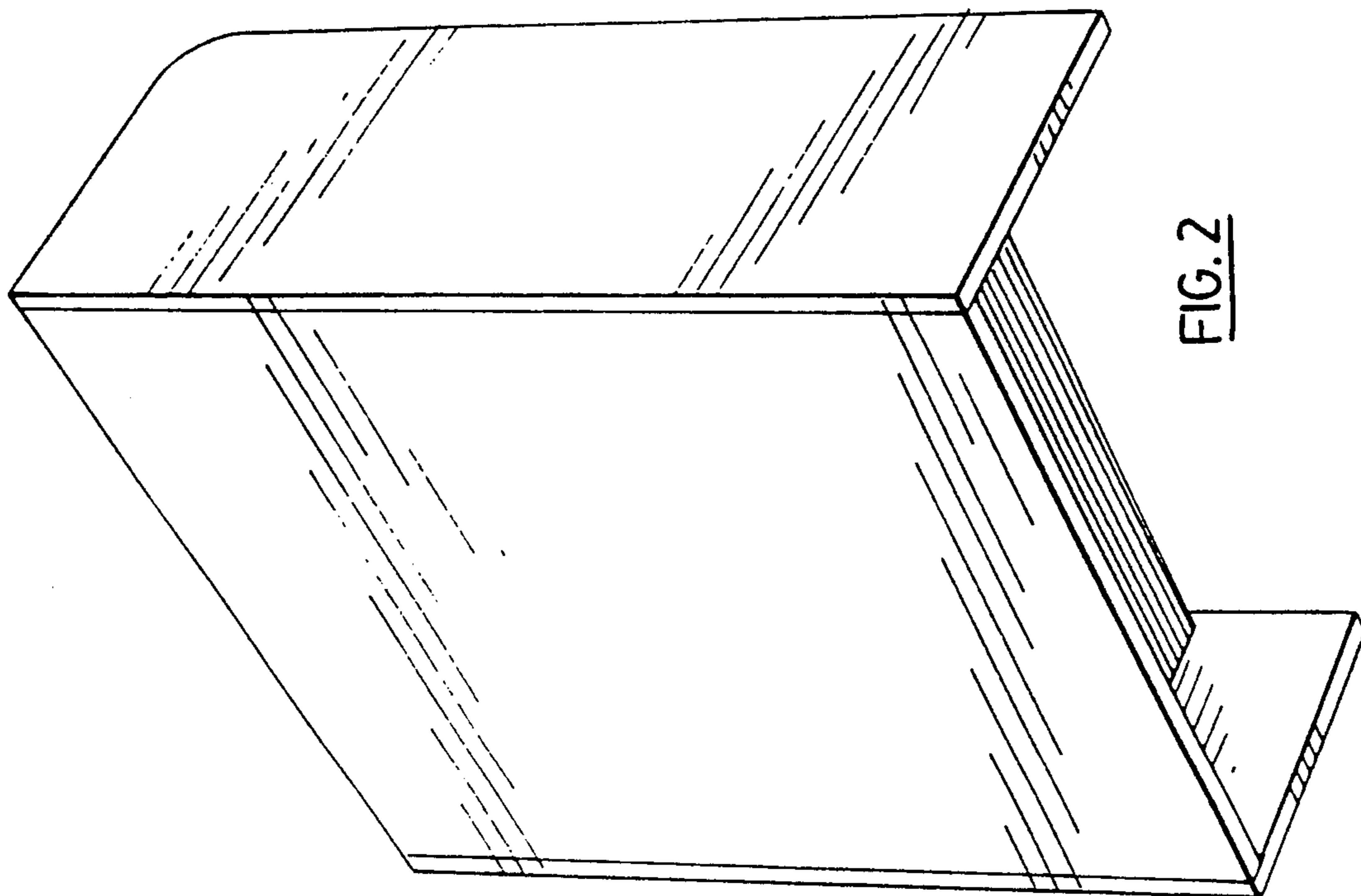


FIG. 2

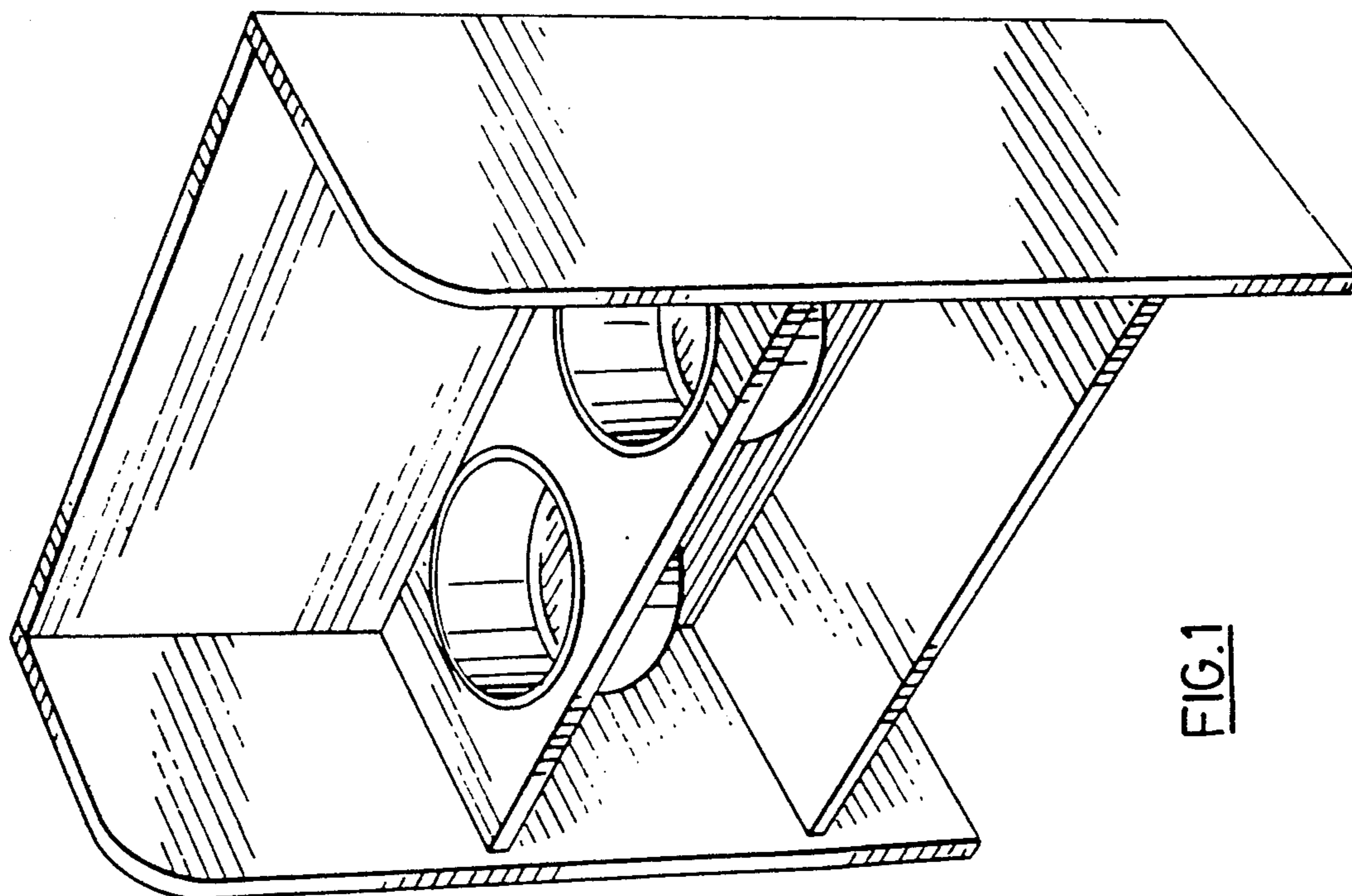


FIG. 1

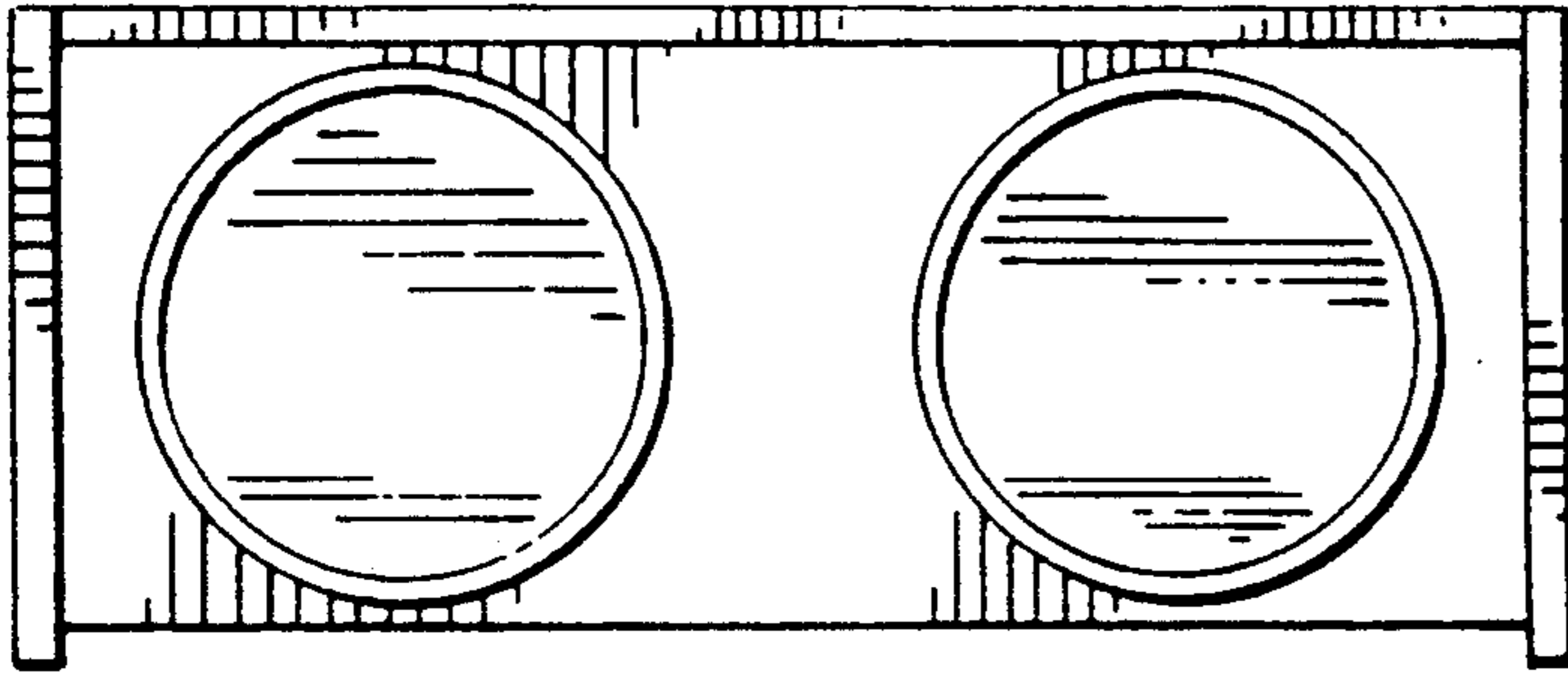


FIG. 3

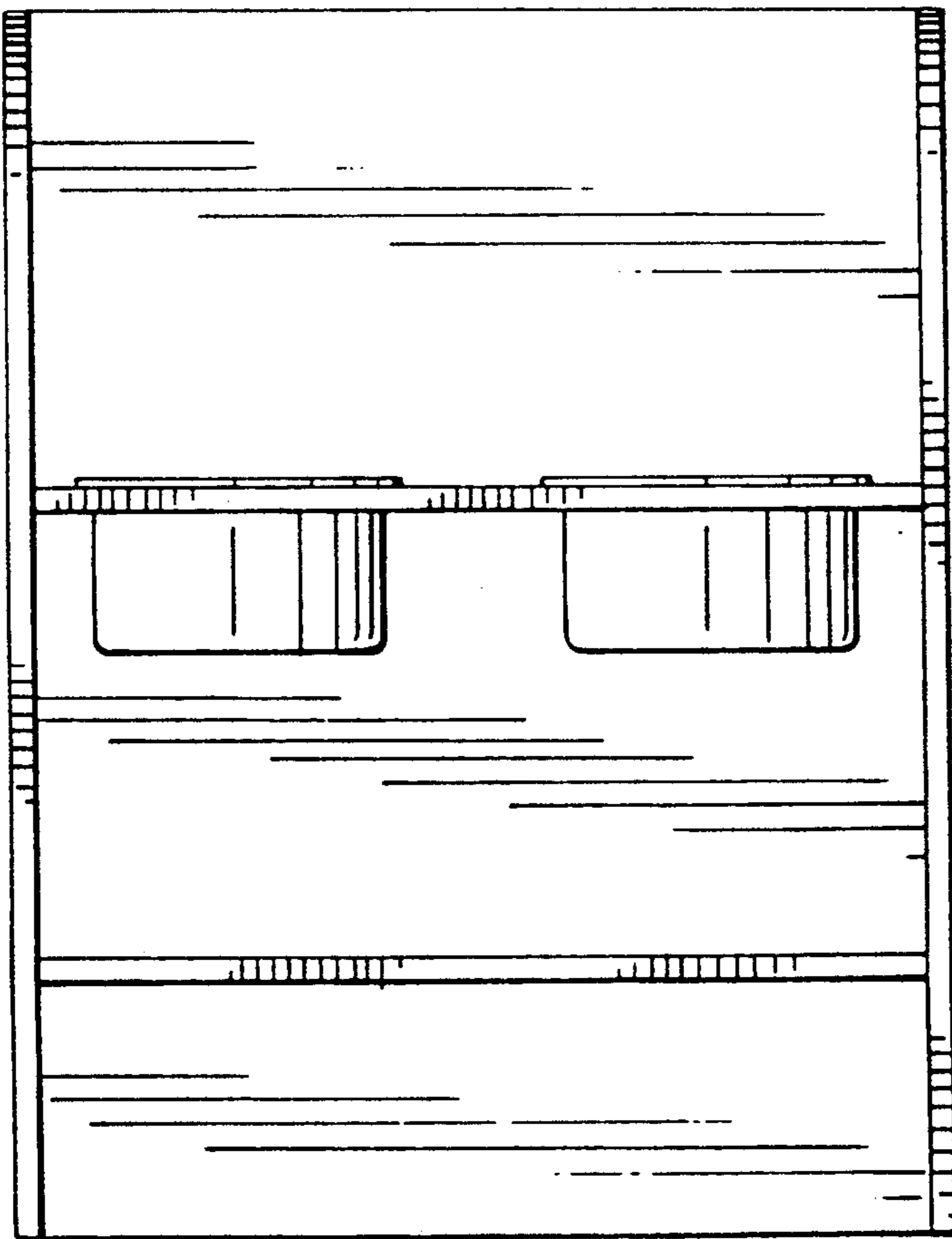


FIG. 4

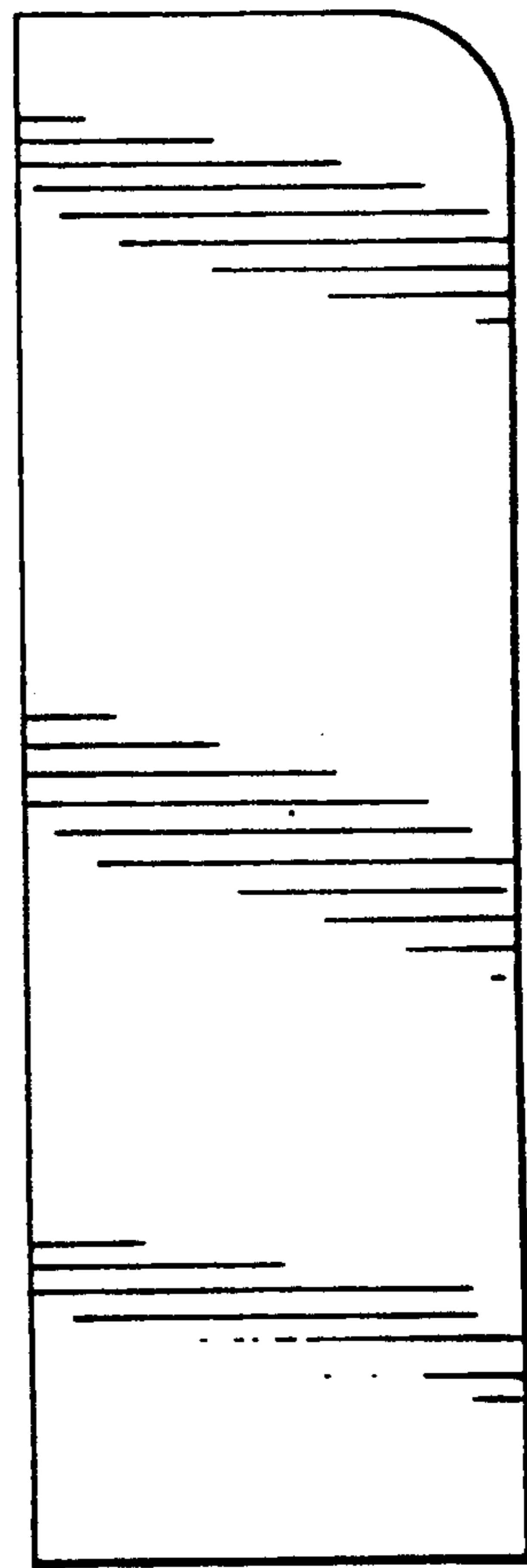


FIG. 5

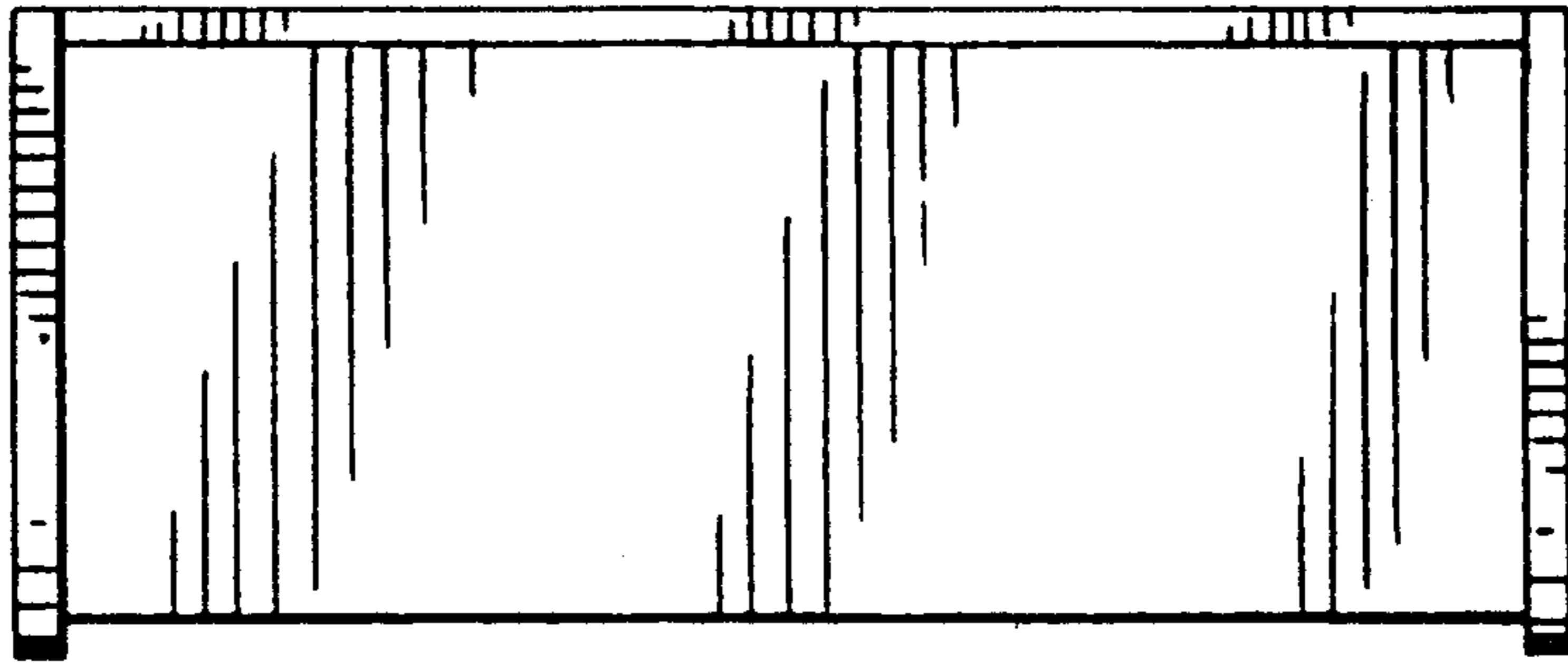


FIG. 6

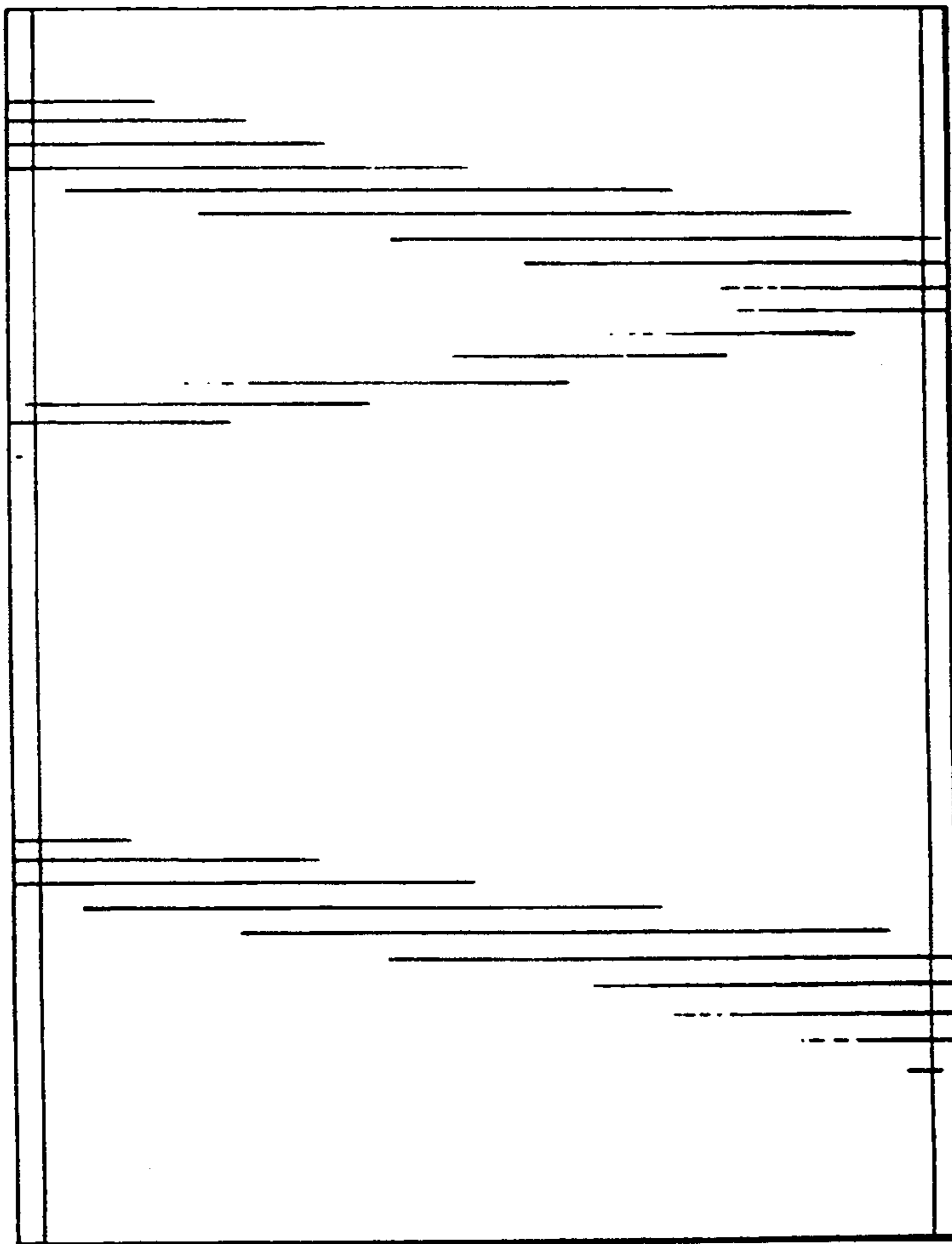


FIG. 7