



US00D335005S

# United States Patent [19]

[11] Patent Number: **Des. 335,005**

Fasino

[45] Date of Patent: **\*\* Apr. 20, 1993**

- [54] **DUAL-CHAMBER BIRD FEEDER**
- [76] Inventor: **Victor Fasino, 62 Oneida; Ave.,  
Landing, N.J. 07850**
- [\*\*] Term: **14 Years**
- [21] Appl. No.: **686,575**
- [22] Filed: **Apr. 17, 1991**
- [52] U.S. Cl. .... **D30/126**
- [58] Field of Search ..... **D30/124-128;  
119/51.03, 52.2-52.3, 57.8-57.9, 61, 28.5, 69.5**

- 4,934,319 6/1990 Waltemeyer ..... 119/57.8
- 5,078,098 1/1992 Ragen ..... 119/52.2

### FOREIGN PATENT DOCUMENTS

- 3320833 12/1984 Fed. Rep. of Germany ..... 119/57.8

*Primary Examiner*—A. Hugo Word  
*Assistant Examiner*—CathyAnne MacCormac  
*Attorney, Agent, or Firm*—Bernard J. Murphy

### [57] CLAIM

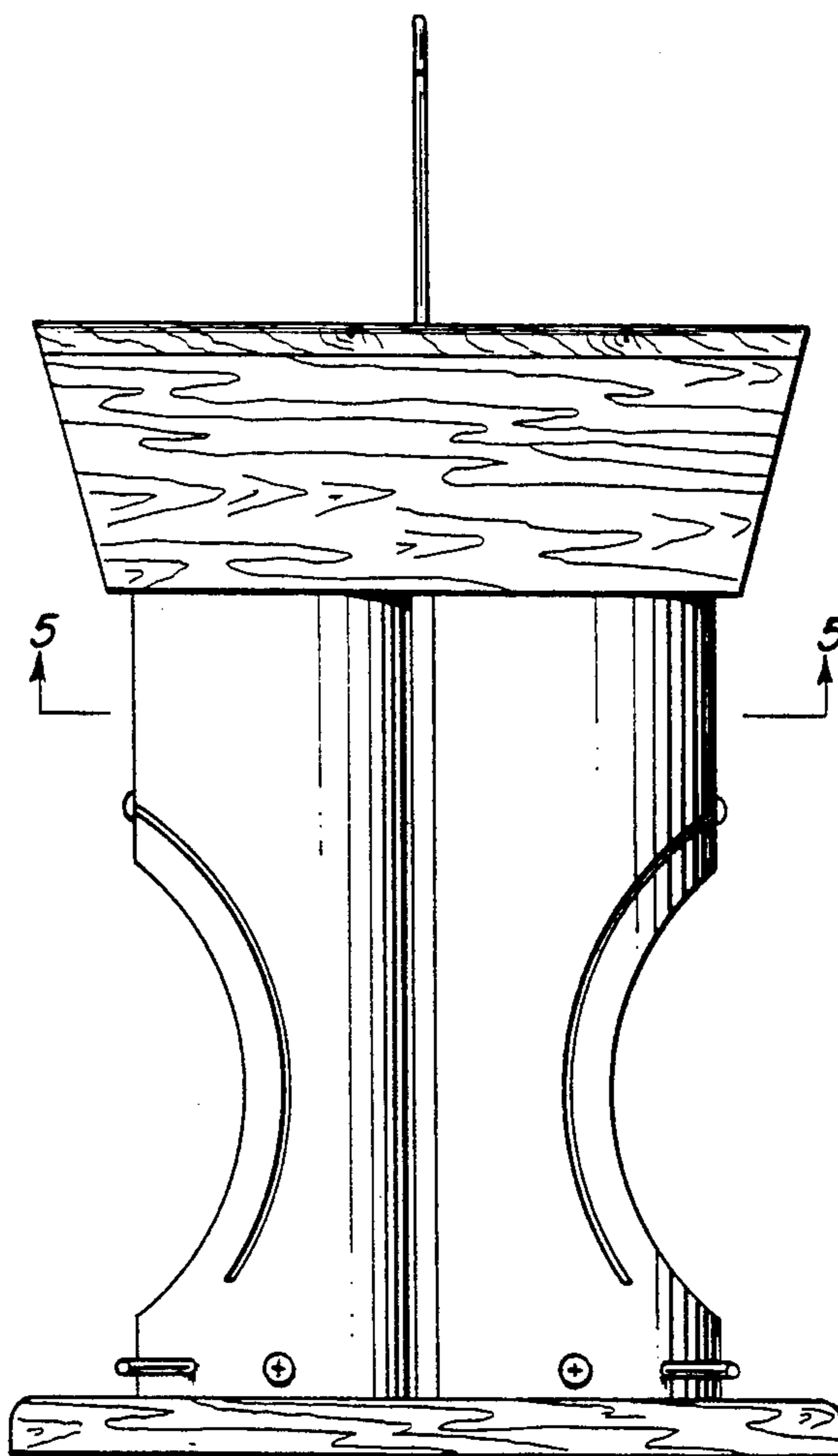
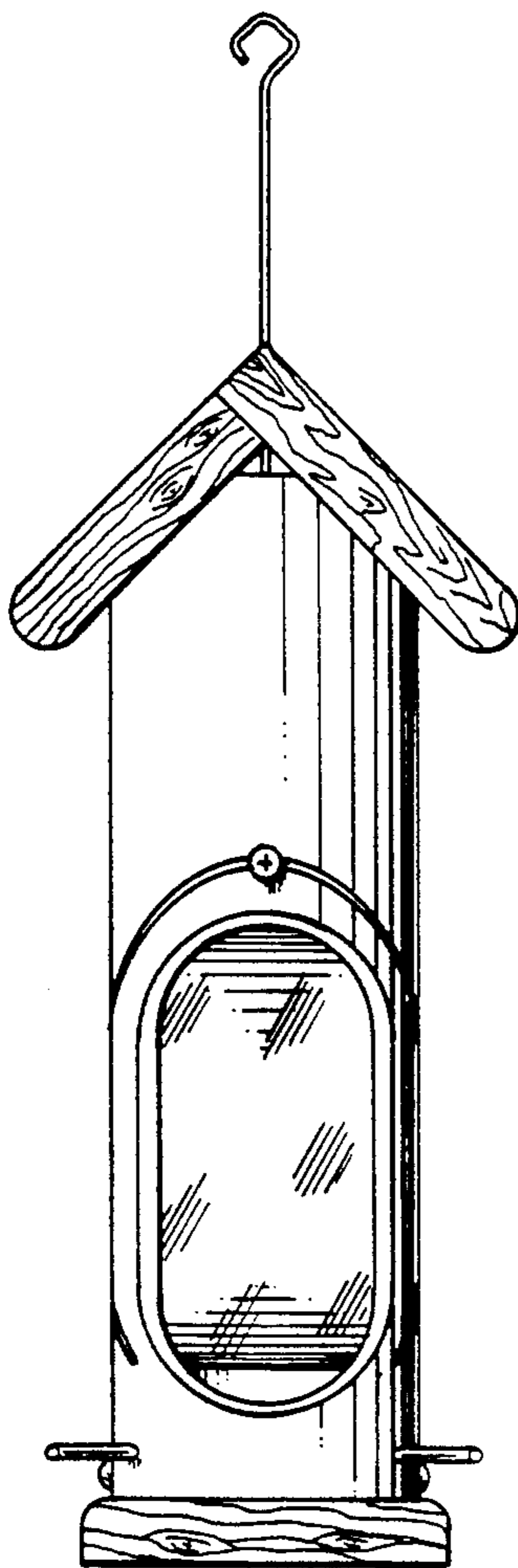
The ornamental design for a dual-chamber bird feeder, as shown and described.

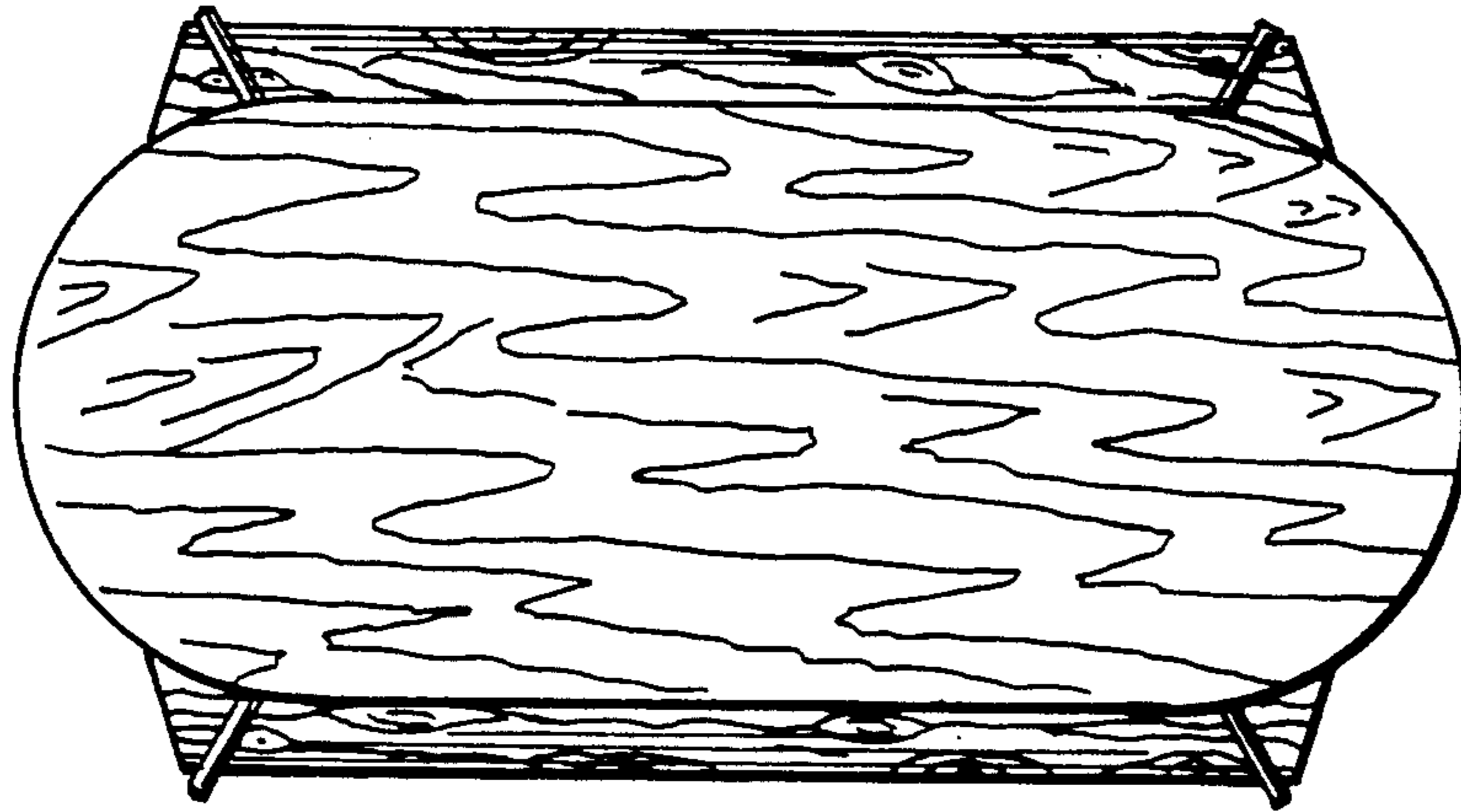
### DESCRIPTION

FIG. 1 is a front elevational view of a dual chamber bird feeder showing my new design; the rear being a mirror image of the view shown;  
 FIG. 2 is a side elevational view thereof, the opposite side being a mirror image of the side shown;  
 FIG. 3 is a top plan view thereof;  
 FIG. 4 is a bottom plan view thereof; and,  
 FIG. 5 is a cross sectional view taken on line 5—5 of FIG. 2.

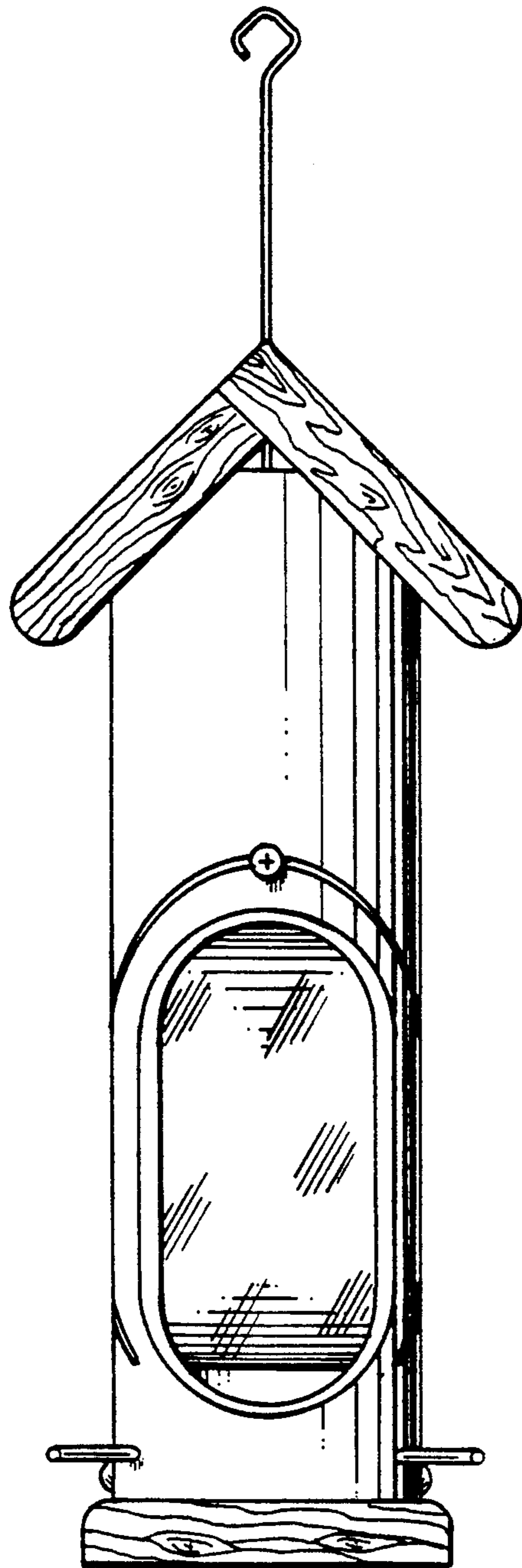
[56] **References Cited**  
**U.S. PATENT DOCUMENTS**

- D. 142,561 10/1945 Hyde ..... 119/57.8
- D. 287,081 12/1986 Helinsky ..... D30/128
- D. 299,568 1/1989 Waltemeyer ..... 119/52.2
- D. 301,777 6/1989 Fasino ..... D30/126
- D. 301,778 6/1989 Fasino ..... D30/127
- 3,094,100 6/1963 Wise ..... 119/51.03
- 3,664,303 5/1972 Baensch ..... 119/51.03
- 4,318,364 3/1982 Bescherer ..... 119/57.8





*FIG. 4*



*FIG. 1*

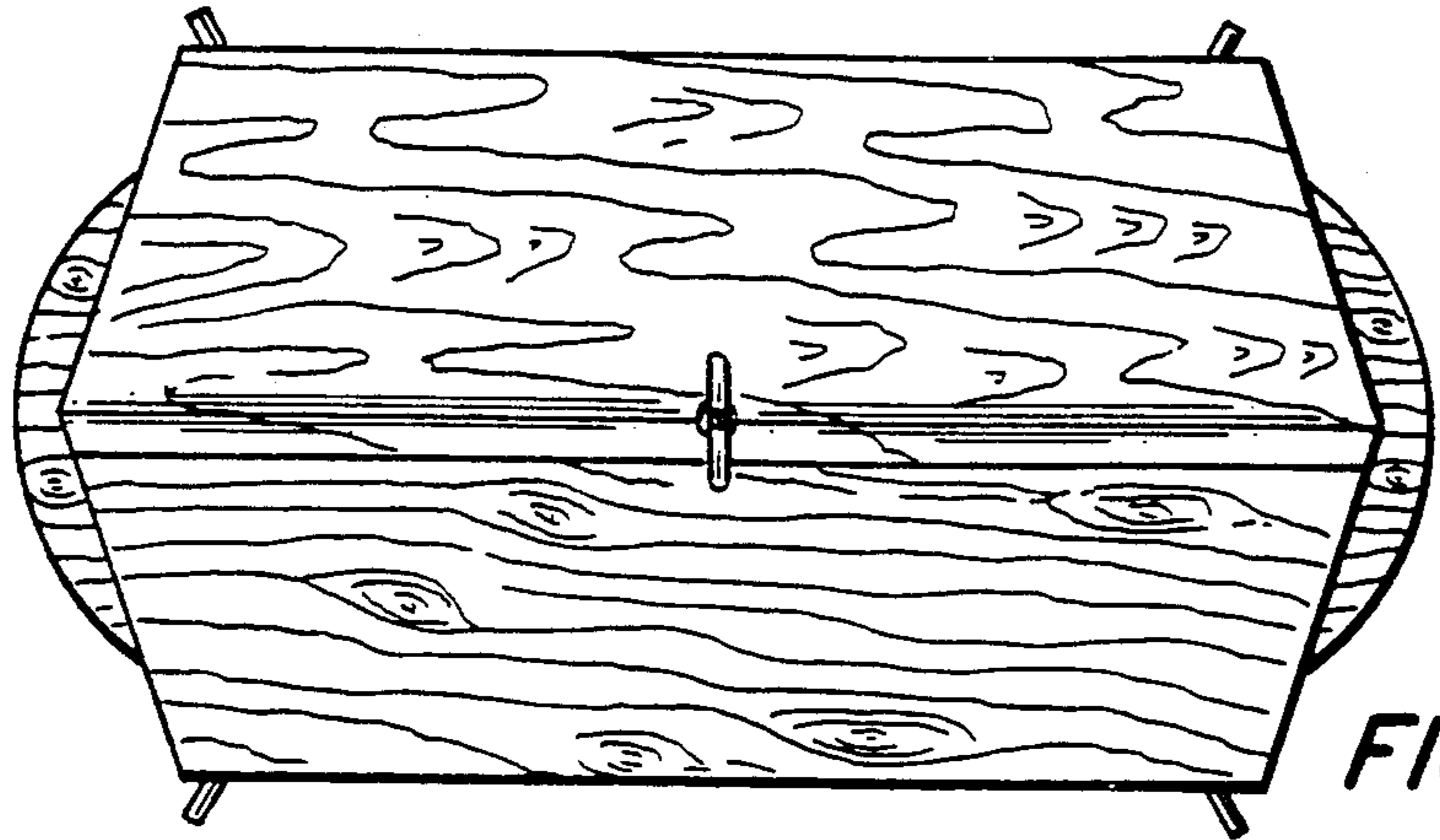


FIG. 3

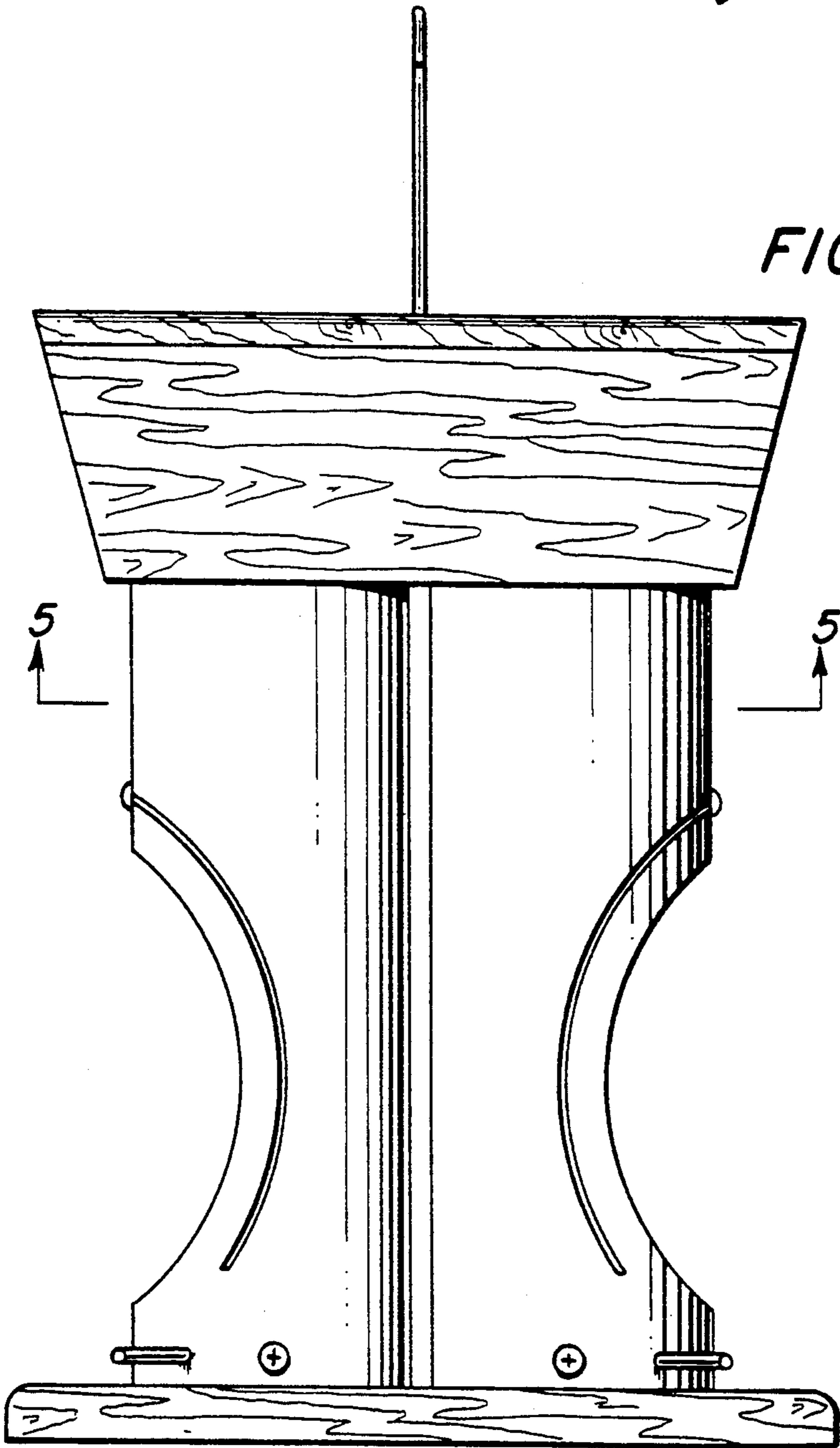
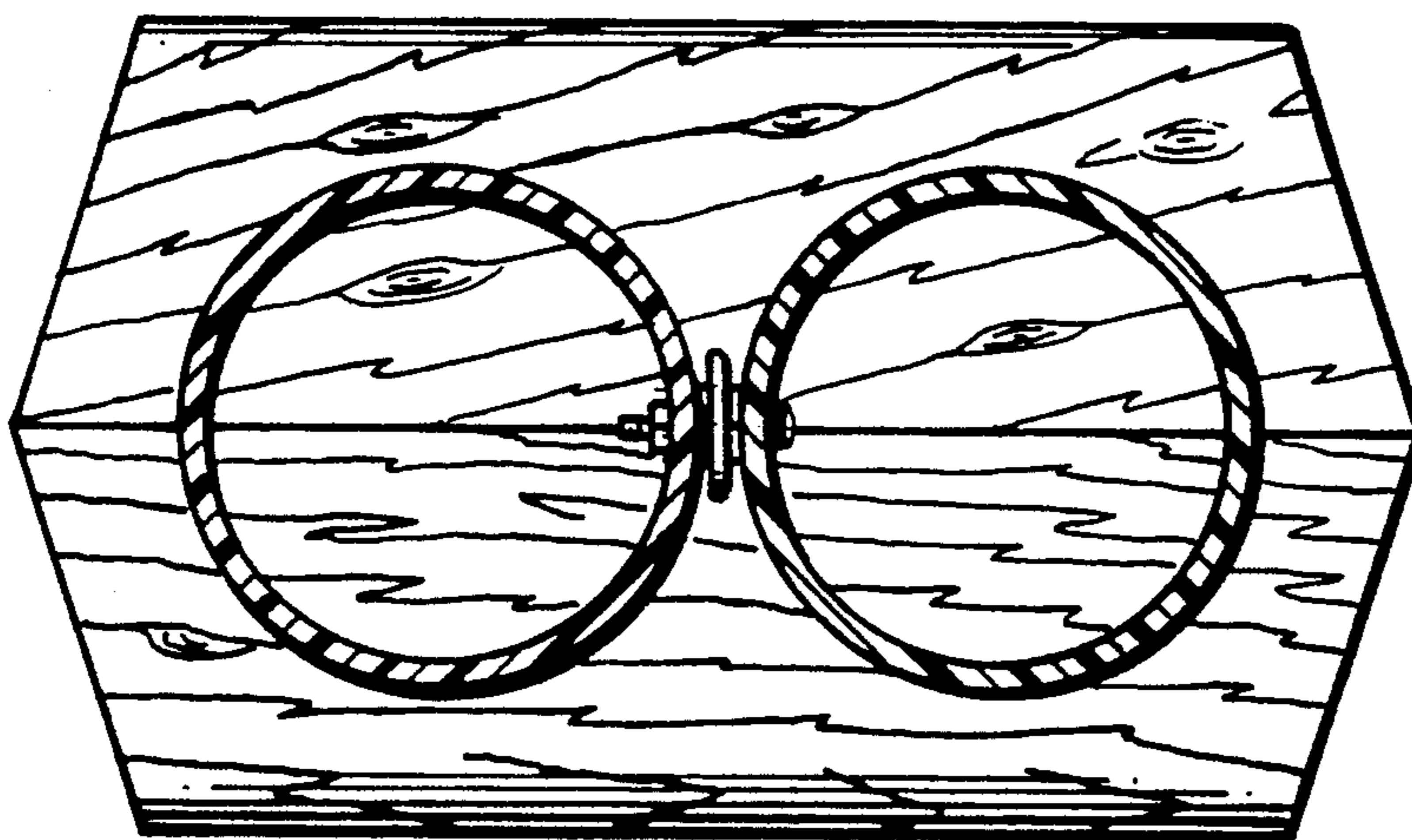


FIG. 2



*FIG. 5*